



US00D665331S

(12) **United States Design Patent**
Sands

(10) **Patent No.:** **US D665,331 S**

(45) **Date of Patent:** **** Aug. 14, 2012**

- (54) **UNMANNED AERIAL VEHICLE**
- (75) Inventor: **Justin Sands**, Columbia Falls, MT (US)
- (73) Assignee: **Unmanned Systems, Inc.**, Henderson, NV (US)
- (**) Term: **14 Years**
- (21) Appl. No.: **29/406,064**

6,498,767	B2 *	12/2002	Carreiro	367/4
6,742,741	B1 *	6/2004	Rivoli	244/12.1
7,188,802	B2 *	3/2007	Magre	244/7 R
7,237,750	B2 *	7/2007	Chiu et al.	244/119
D573,939	S *	7/2008	Las Heras	D12/319
D589,868	S *	4/2009	Matharan et al.	D12/343
D596,267	S *	7/2009	Colgren et al.	D12/319
D616,804	S *	6/2010	Manley et al.	D12/319
7,905,449	B2 *	3/2011	Cazals et al.	244/55
2003/0060943	A1 *	3/2003	Carroll	701/3

* cited by examiner

- (22) Filed: **Nov. 9, 2011**
- (51) **LOC (9) Cl.** **12-07**
- (52) **U.S. Cl.** **D12/319**
- (58) **Field of Classification Search** D12/327, D12/326, 328, 329, 330, 319, 343; 244/3.15, 244/12.1, 12.3, 119; 367/4; 701/3; D23/377; D21/827, 583, 558, 453, 442
See application file for complete search history.

Primary Examiner — Austin Murphy
(74) *Attorney, Agent, or Firm* — Suiter Swantz pc llo

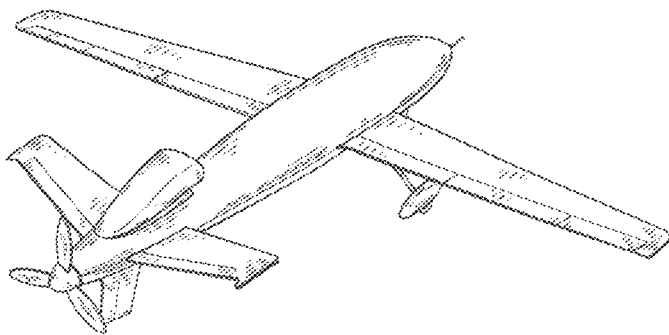
(57) **CLAIM**
The ornamental design for an unmanned aerial vehicle, as shown and described.

DESCRIPTION

FIG. 1 is a perspective view showing the new design;
FIG. 2 is a top plan view thereof;
FIG. 3 is a front elevation view thereof;
FIG. 4 is a first side elevation view thereof;
FIG. 5 is a rear elevation view thereof;
FIG. 6 is a second side elevation view thereof; and,
FIG. 7 is a bottom plan view thereof.

1 Claim, 4 Drawing Sheets

- (56) **References Cited**
- U.S. PATENT DOCUMENTS
- D132,383 S * 5/1942 Reedy D12/16.1
- 2,992,794 A * 7/1961 Boyd 244/3.15
- 4,828,203 A * 5/1989 Clifton et al. 244/12.3
- 5,890,441 A * 4/1999 Swinson et al. 244/12.3
- 6,056,237 A * 5/2000 Woodland 244/3.15



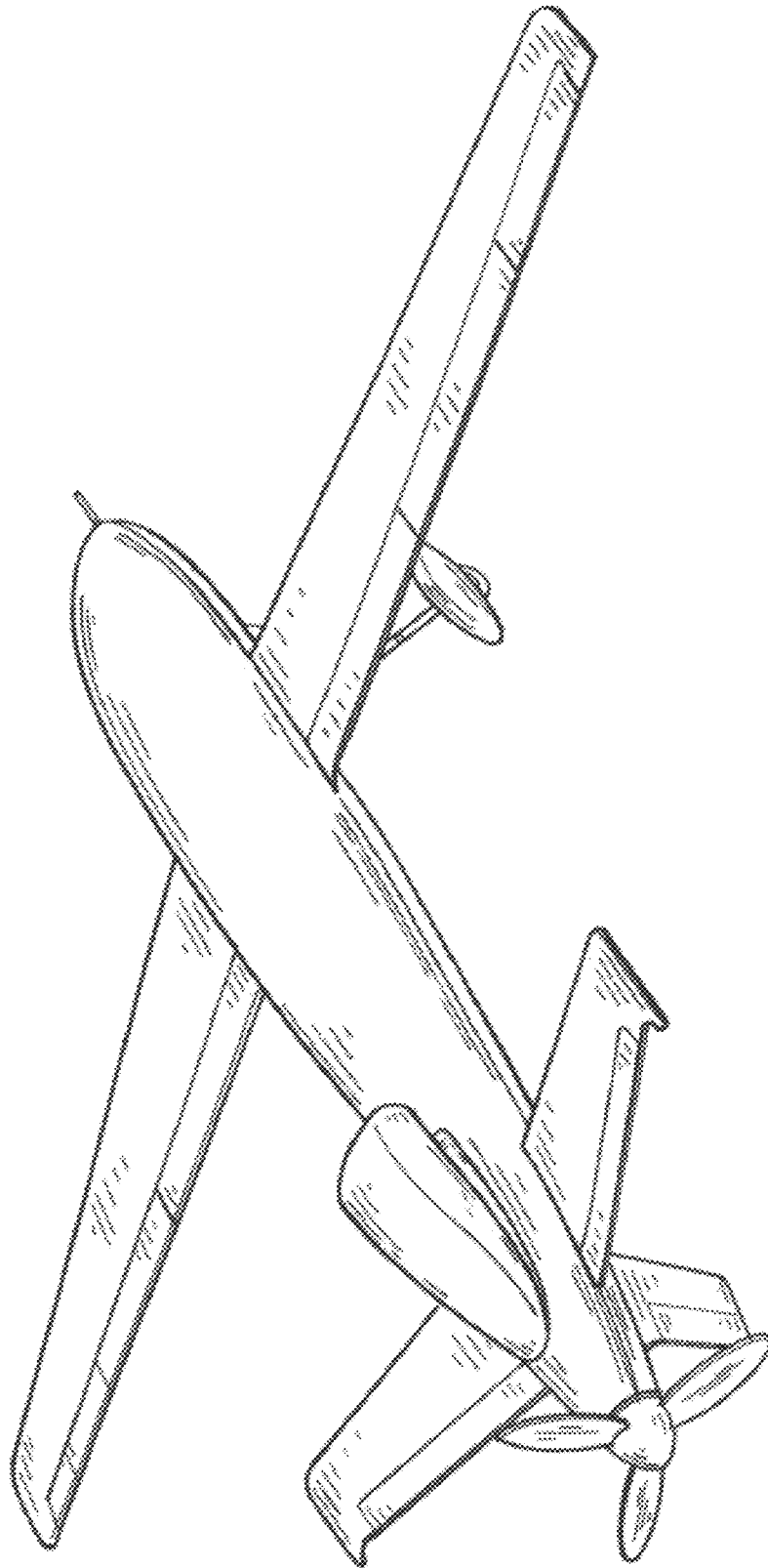


FIG. 1

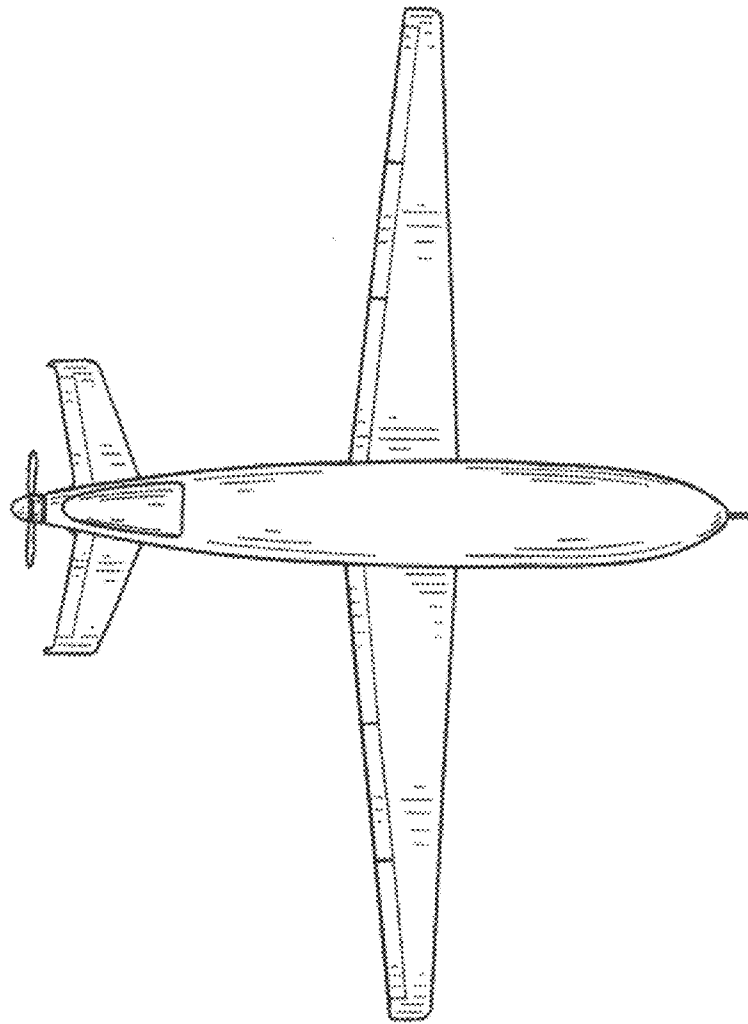


FIG. 2

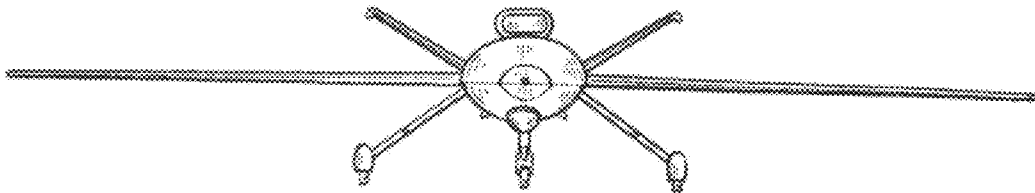


FIG. 3

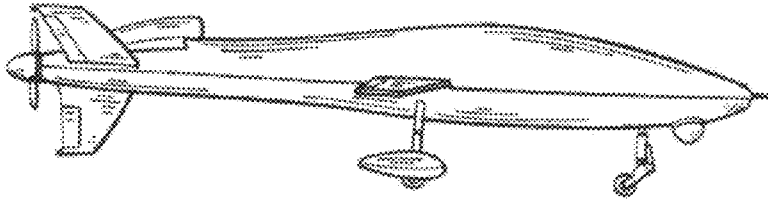


FIG. 4

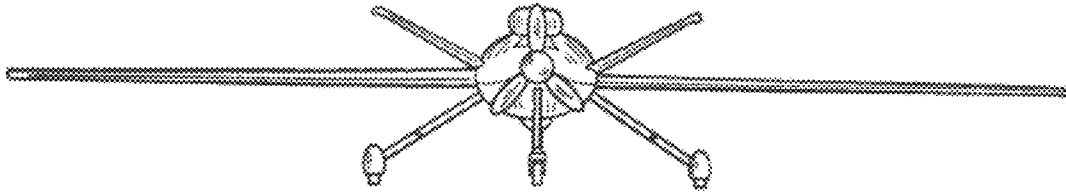


FIG. 5

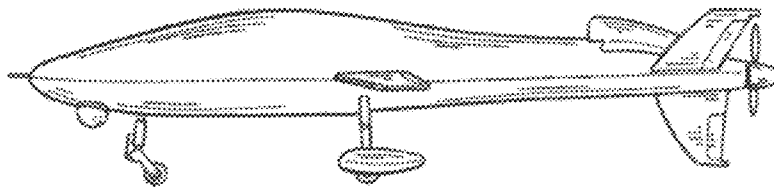


FIG. 6

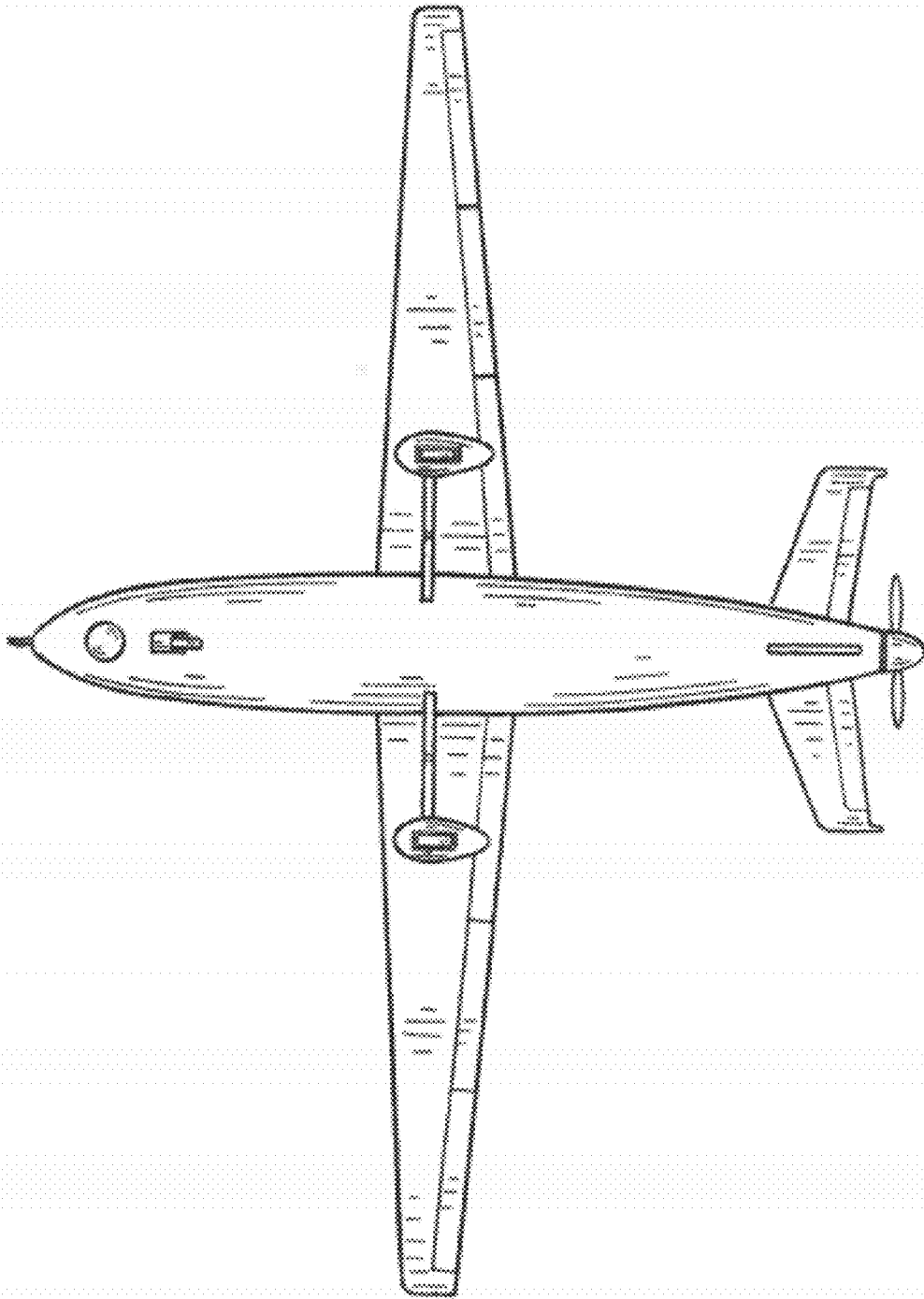


FIG. 7