



US00D518042S

(12) **United States Design Patent**
Kanayama

(10) **Patent No.:** **US D518,042 S**

(45) **Date of Patent:** **** Mar. 28, 2006**

(54) **PERSONAL COMPUTER**

(75) Inventor: **Masaki Kanayama**, Tachikawa (JP)

(73) Assignee: **Fujitsu Limited**, Kawasaki (JP)

(**) Term: **14 Years**

(21) Appl. No.: **29/223,445**

(22) Filed: **Feb. 15, 2005**

(30) **Foreign Application Priority Data**

Aug. 18, 2004 (JP) 2004-024671

(51) **LOC (8) Cl.** **14-02**

(52) **U.S. Cl.** **D14/318**

(58) **Field of Classification Search** D14/315-323;
D18/1, 2, 7, 11; 235/145 A, 145 R; 341/22,
341/23; 345/156, 168, 169, 172, 173; 361/680-686
See application file for complete search history.

(56) **References Cited**

U.S. PATENT DOCUMENTS

6,067,224	A *	5/2000	Nobuchi	361/683
D476,326	S *	6/2003	Tanimura	D14/318
D479,841	S *	9/2003	Tago et al.	D14/323
2005/0018396	A1 *	1/2005	Nakajima et al.	361/683
2005/0041378	A1 *	2/2005	Hamada et al.	361/680

OTHER PUBLICATIONS

Picture of Fujitsu Lifebook S7000; <http://store.shopfujitsu.com/fpc/Ecommerce/buildseriesbean.do?series=S7>, May 2004.

Picture of Sony Vaio B Series; http://www.sonystyle.com/is-bin/Intershop.efinity/eCS/Store/en/-/USD/SY_Browse-Catalog-Start;sid=f90ITtNQLNslcpHR0mMCRZxe7SDHJBPGwBw=?CategoryName=cpu_VaioNotebookComputer_B_Series&Dept=computers, Sep. 2004.

Picture of IBM ThinkPad R Series; <http://www.131.ibm.com/webapp/wcs/stores/servlet/Category-Display?catalogid=-840&storeId=10000001&langId=-1&dualCurrid=1000073&categoryID=2302836>, Apr. 2004.

Picture of hp invent Dv1000 series; http://www.shopping.hp.com/webapp/shopping/computer_series.do?series_name=dv1000_series&catLevel=2&category=notebooks/hp_pavillon&storeName=computer_store, Aug. 2004.

* cited by examiner

Primary Examiner—Freda S. Nunn

(74) *Attorney, Agent, or Firm*—Staas & Halsey LLP

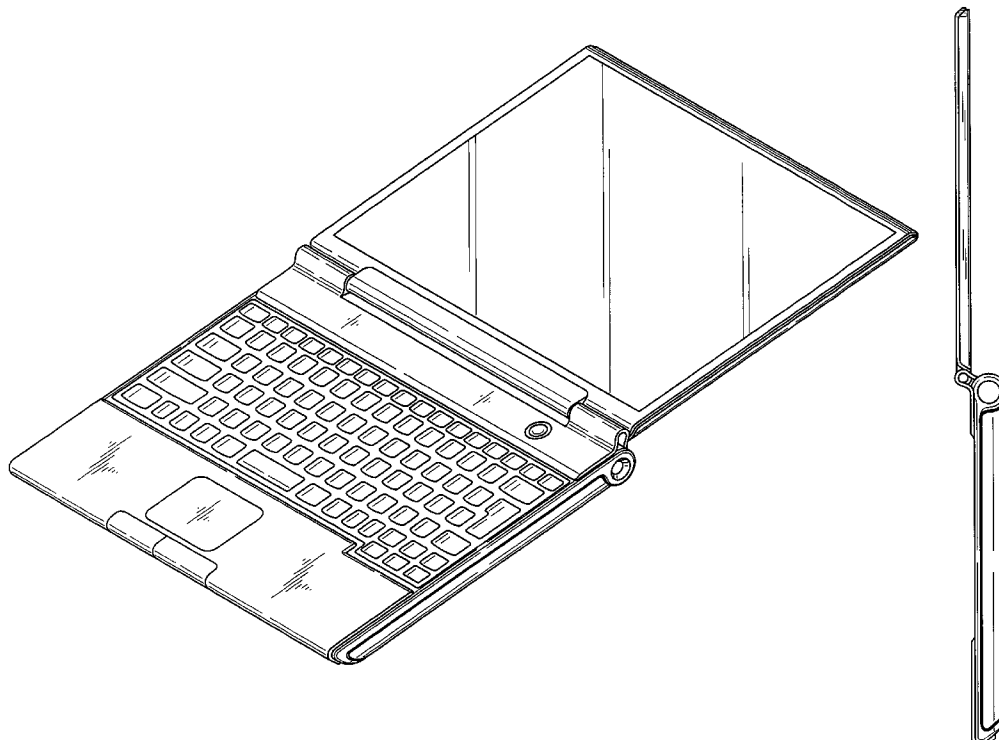
(57) **CLAIM**

The ornamental design for a personal computer, as shown and described.

DESCRIPTION

FIG. 1 is a perspective view of the front, bottom and right side of a personal computer showing my new design; FIG. 2 is a front view thereof; FIG. 3 is a rear view thereof; FIG. 4 is a top plan view thereof; FIG. 5 is a bottom view thereof; FIG. 6 is a left side view thereof; and, FIG. 7 is a right side view thereof.

1 Claim, 5 Drawing Sheets



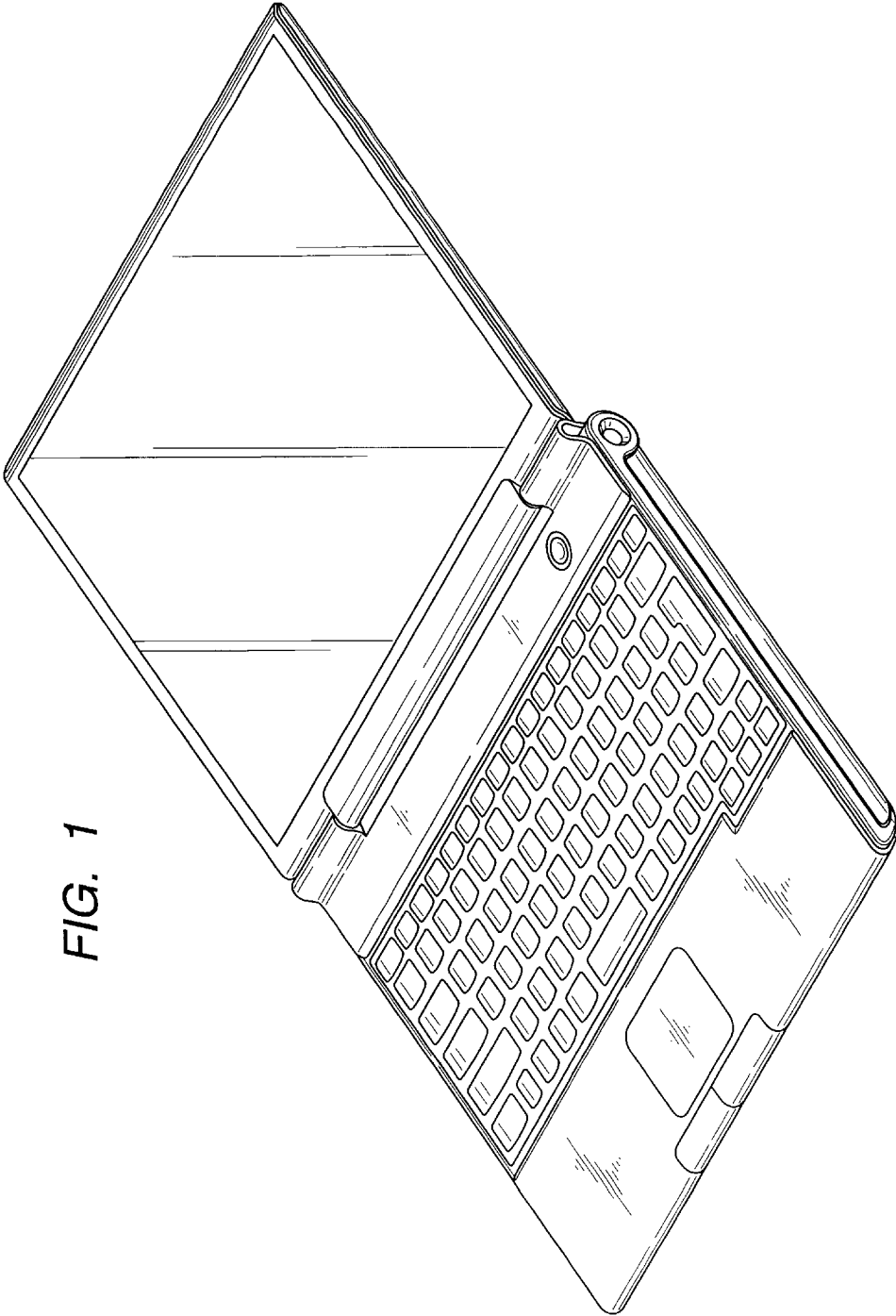


FIG. 1

FIG. 2

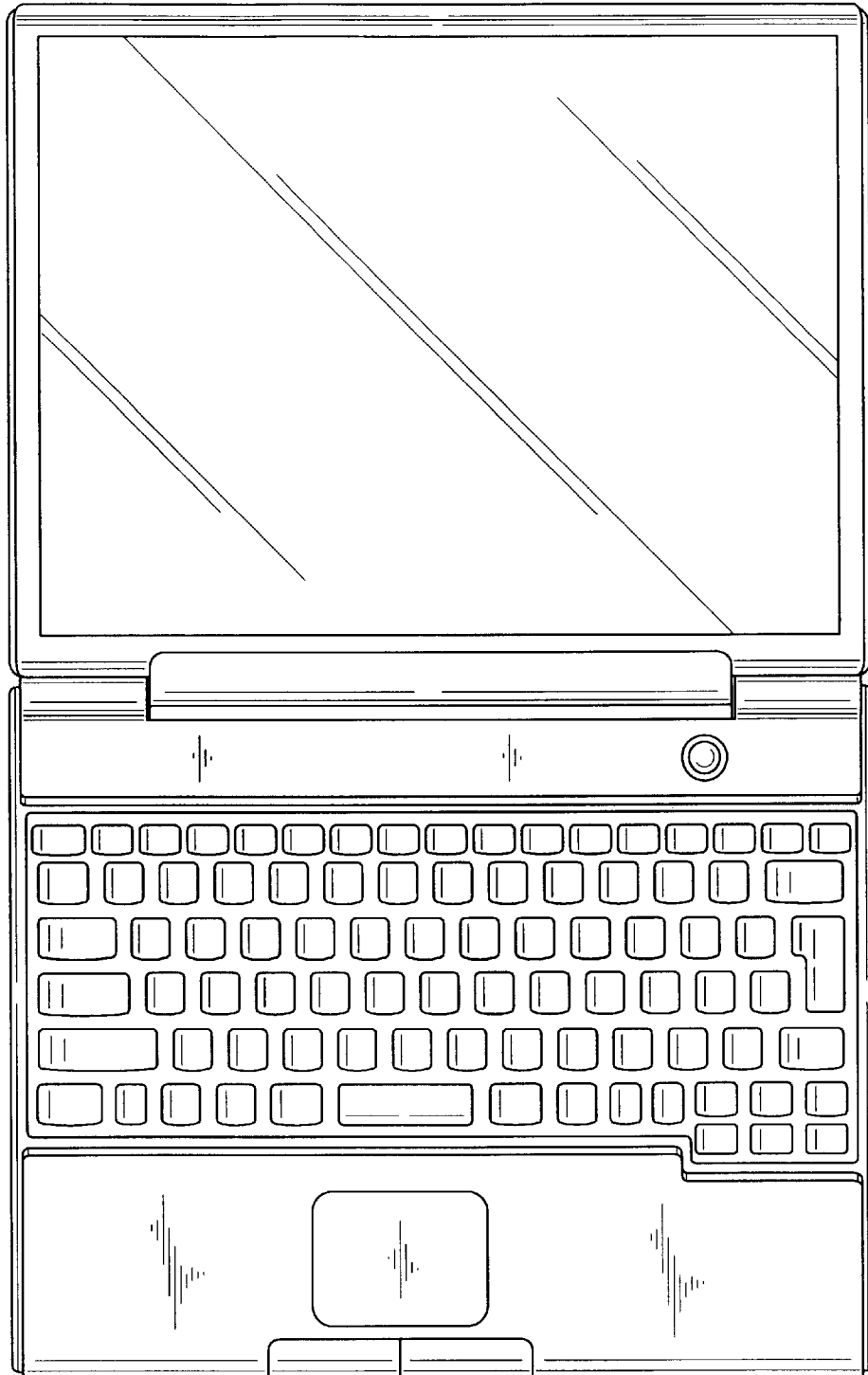


FIG. 3

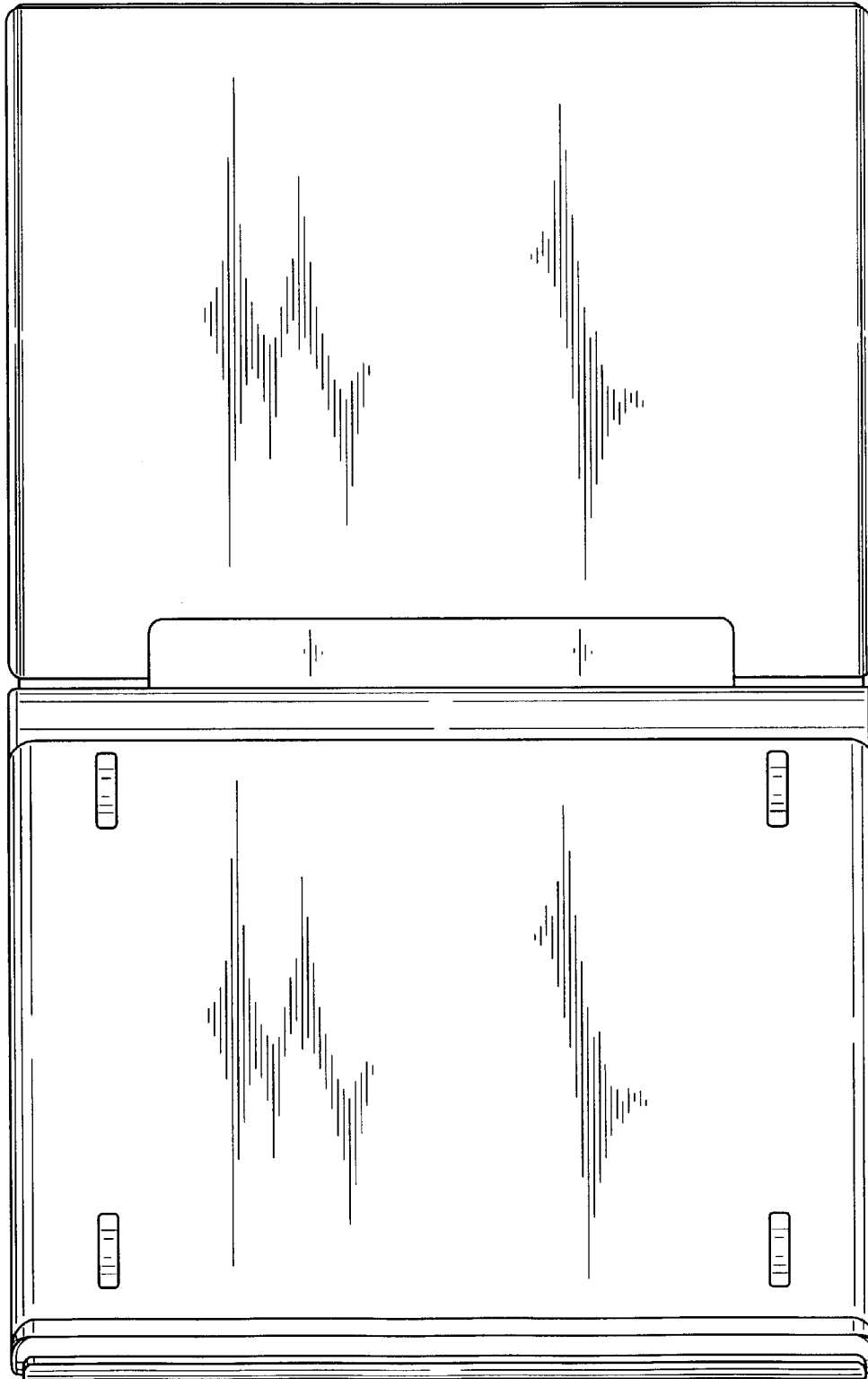


FIG. 4

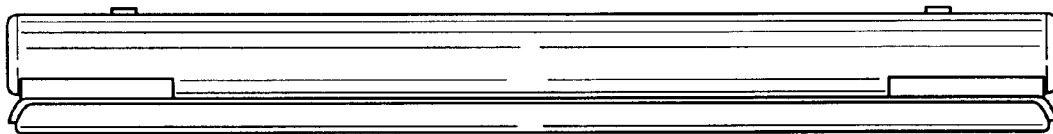


FIG. 5

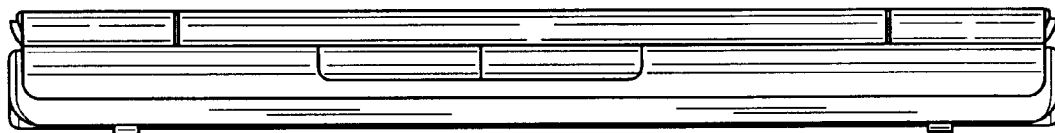


FIG. 6

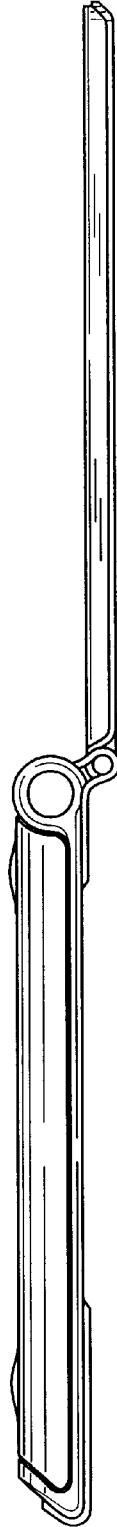


FIG. 7

