

(19) World Intellectual Property Organization
International Bureau



(43) International Publication Date
9 October 2003 (09.10.2003)

PCT

(10) International Publication Number
WO 03/082091 A3

(51) International Patent Classification⁷: **G01N 33/487**,
A61B 5/15, 5/00

(21) International Application Number: PCT/IB03/01844

(22) International Filing Date: 2 April 2003 (02.04.2003)

(25) Filing Language: English

(26) Publication Language: English

(30) Priority Data:
0207610.7 2 April 2002 (02.04.2002) GB

(71) Applicant (for all designated States except US): **INVERNESS MEDICAL LIMITED** [GB/GB]; Beechwood Park North, Inverness IV2 3ED, Scotland (GB).

(72) Inventors; and

(75) Inventors/Applicants (for US only): **GRIFFITH, Alun, Wyn** [GB/GB]; 8 Culcabock Road, Inverness, IV2 3XQ (GB). **MAY, Keith** [GB/GB]; Lower Engeham House,

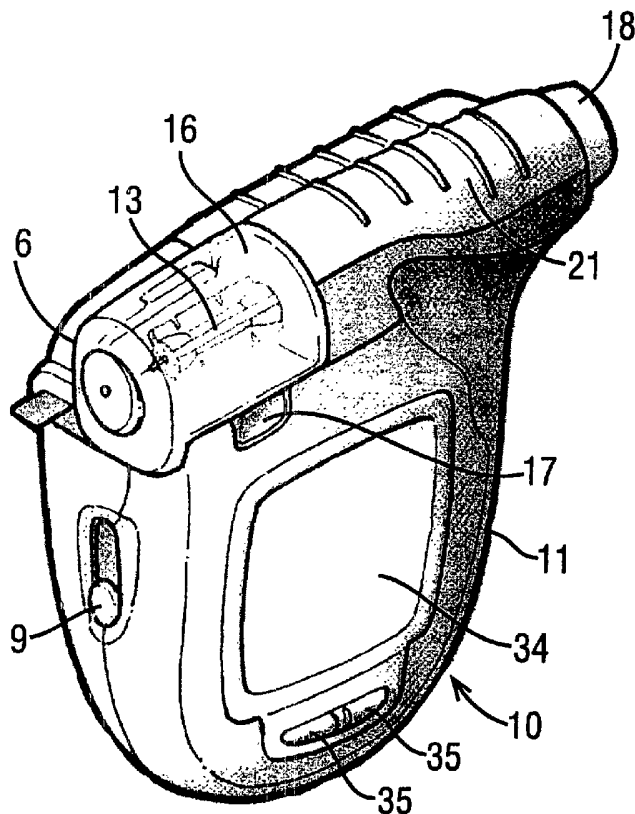
Bethersden Road, Woodchurch, Ashford, Kent TN26 3PU (GB). **DISTON, Andrew, Stephen** [GB/GB]; 5 High Street, Milton, Cambridge CB4 6AJ (GB). **DROUGHT, Nicholas, Andrew** [GB/GB]; 14 Woodman Way, Milton, Cambridge CB4 6DS (GB). **WILSON, Donna, Joy** [GB/US]; 403 E 87 Street, Apartment 5C, New York, NY 10128 (US).

(74) Agent: **MERCER, Christopher, Paul**; Carpmaels & Ransford, 43/45 Bloomsbury Square, London WC1A 2RA (GB).

(81) Designated States (national): AE, AG, AL, AM, AT, AU, AZ, BA, BB, BG, BR, BY, BZ, CA, CH, CN, CO, CR, CU, CZ, DE, DK, DM, DZ, EC, EE, ES, FI, GB, GD, GE, GH, GM, HR, HU, ID, IL, IN, IS, JP, KE, KG, KP, KR, KZ, LC, LK, LR, LS, LT, LU, LV, MA, MD, MG, MN, MW, MX, MZ, NO, NZ, OM, PH, PL, PT, RO, RU, SC, SD, SE, SG, SK, SL, TJ, TM, TN, TR, TT, TZ, UA, UG, US, UZ, VC, VN, YU, ZA, ZM, ZW.

[Continued on next page]

(54) Title: INTEGRATED SAMPLE TESTING METER



(57) Abstract: An integrated sample testing meter, for instance for measuring blood, comprising a puncture means, a sensor and a test strip cartridge disposed in a single modular housing. The test strip cartridge includes a stack of test strips suitable for performing an electrochemical or photometric analysis of a blood sample. The integrated test system automatically dispenses and positions a test strip and forms a puncture site. Blood is transferred to the test strip from the puncture site and the sensor automatically analyzes the blood sample after the test strip collects the sample from the puncture site.



WO 03/082091 A3



(84) Designated States (regional): ARIPO patent (GH, GM, KE, LS, MW, MZ, SD, SL, SZ, TZ, UG, ZM, ZW), Eurasian patent (AM, AZ, BY, KG, KZ, MD, RU, TJ, TM), European patent (AT, BE, BG, CH, CY, CZ, DE, DK, EE, ES, FI, FR, GB, GR, HU, IE, IT, LU, MC, NL, PT, RO, SE, SI, SK, TR), OAPI patent (BF, BJ, CF, CG, CI, CM, GA, GN, GQ, GW, ML, MR, NE, SN, TD, TG).

— *before the expiration of the time limit for amending the claims and to be republished in the event of receipt of amendments*

(88) Date of publication of the international search report:
24 December 2003

Published:

— *with international search report*

For two-letter codes and other abbreviations, refer to the "Guidance Notes on Codes and Abbreviations" appearing at the beginning of each regular issue of the PCT Gazette.

INTERNATIONAL SEARCH REPORT

International Application No
PCT/IB 03/01844

A. CLASSIFICATION OF SUBJECT MATTER

IPC 7 G01N33/487 A61B5/15 A61B5/00

According to International Patent Classification (IPC) or to both national classification and IPC

B. FIELDS SEARCHED

Minimum documentation searched (classification system followed by classification symbols)

IPC 7 A61B G01N

Documentation searched other than minimum documentation to the extent that such documents are included in the fields searched

Electronic data base consulted during the international search (name of data base and, where practical, search terms used)

EPO-Internal

C. DOCUMENTS CONSIDERED TO BE RELEVANT

Category °	Citation of document, with indication, where appropriate, of the relevant passages	Relevant to claim No.
X	EP 1 112 717 A (ABBOTT LABORATORIES) 4 July 2001 (2001-07-04)	1-15, 18, 25, 30-33
Y	the whole document	16, 17, 19, 26
Y	US 6 071 294 A (SIMONS ET AL.) 6 June 2000 (2000-06-06) column 12, line 52 -column 13, line 20; figures 1-5	16, 17
Y	WO 99 59657 A (NOVO NORDISK A/S) 25 November 1999 (1999-11-25) page 8, line 18 -page 9, line 9; figures 1-9	19
Y	DE 198 19 407 A (PRIEBES) 11 November 1999 (1999-11-11)	26
A	the whole document	1, 19
	-/--	

 Further documents are listed in the continuation of box C. Patent family members are listed in annex.

° Special categories of cited documents:

- *A* document defining the general state of the art which is not considered to be of particular relevance
- *E* earlier document but published on or after the international filing date
- *L* document which may throw doubts on priority claim(s) or which is cited to establish the publication date of another citation or other special reason (as specified)
- *O* document referring to an oral disclosure, use, exhibition or other means
- *P* document published prior to the international filing date but later than the priority date claimed

- *T* later document published after the international filing date or priority date and not in conflict with the application but cited to understand the principle or theory underlying the invention
- *X* document of particular relevance; the claimed invention cannot be considered novel or cannot be considered to involve an inventive step when the document is taken alone
- *Y* document of particular relevance; the claimed invention cannot be considered to involve an inventive step when the document is combined with one or more other such documents, such combination being obvious to a person skilled in the art.
- *Z* document member of the same patent family

Date of the actual completion of the international search

13 October 2003

Date of mailing of the international search report

20/10/2003

Name and mailing address of the ISA

European Patent Office, P.B. 5818 Patentlaan 2
NL - 2280 HV Rijswijk
Tel. (+31-70) 340-2040, Tx. 31 651 epo nl,
Fax: (+31-70) 340-3016

Authorized officer

Hunt, B

INTERNATIONAL SEARCH REPORT

International Application No
PCT/IB 03/01844

C.(Continuation) DOCUMENTS CONSIDERED TO BE RELEVANT		
Category °	Citation of document, with indication, where appropriate, of the relevant passages	Relevant to claim No.
A	DE 42 34 553 A (FRESE ET AL.) 22 April 1993 (1993-04-22) abstract; figures 1-9 ----	1,19
A	WO 01 17425 A (TENSYS MEDICAL INC.) 15 March 2001 (2001-03-15) abstract; figures 1-12 ----	19-24
A	US 2002/002326 A1 (CAUSEY III ET AL.) 3 January 2002 (2002-01-03) the whole document ----	1
A	US 6 315 738 B1 (NISHIKAWA ET AL.) 13 November 2001 (2001-11-13) the whole document -----	1

INTERNATIONAL SEARCH REPORT

Information on patent family members

International application No

PCT/IB 03/01844

Patent document cited in search report		Publication date	Patent family member(s)	Publication date
EP 1112717	A	04-07-2001	US 6063039 A	16-05-2000
			EP 1120084 A1	01-08-2001
			EP 1112717 A1	04-07-2001
			EP 1112718 A1	04-07-2001
			EP 1120085 A1	01-08-2001
			AU 736675 B2	02-08-2001
			AU 5897498 A	29-06-1998
			CN 1262606 A	09-08-2000
			EP 0946122 A2	06-10-1999
			JP 3424935 B2	07-07-2003
			JP 2001515377 T	18-09-2001
			JP 2001346781 A	18-12-2001
			NO 992730 A	26-07-1999
			WO 9824366 A2	11-06-1998
			US 2001031931 A1	18-10-2001
			US 6206841 B1	27-03-2001
			US 6306104 B1	23-10-2001
			US 2002169393 A1	14-11-2002
			US 6071251 A	06-06-2000
			US 6071249 A	06-06-2000
			US 6027459 A	22-02-2000
			US 6093156 A	25-07-2000
US 6071294	A	06-06-2000	DE 19855458 A1	01-07-1999
			GB 2375053 A ,B	06-11-2002
			GB 2375487 A ,B	20-11-2002
			GB 2331935 A ,B	09-06-1999
WO 9959657	A	25-11-1999	AU 748281 B2	30-05-2002
			AU 3810499 A	06-12-1999
			BR 9911051 A	06-02-2001
			CA 2332368 A1	25-11-1999
			CN 1301184 T	27-06-2001
			WO 9959657 A1	25-11-1999
			EP 1079876 A1	07-03-2001
			HU 0102074 A2	28-10-2001
			JP 2002515302 T	28-05-2002
			NO 20005815 A	16-01-2001
			PL 344305 A1	22-10-2001
			TW 477685 B	01-03-2002
			US 6302855 B1	16-10-2001
			US 2002013522 A1	31-01-2002
			ZA 200006159 A	25-06-2001
DE 19819407	A	11-11-1999	DE 19819407 A1	11-11-1999
DE 4234553	A	22-04-1993	DE 9113046 U1	19-12-1991
			DE 4234553 A1	22-04-1993
WO 0117425	A	15-03-2001	AU 7107600 A	10-04-2001
			EP 1211975 A2	12-06-2002
			JP 2003508145 T	04-03-2003
			WO 0117425 A2	15-03-2001
US 2002002326	A1	03-01-2002	US 6558320 B1	06-05-2003
			US 6554798 B1	29-04-2003
			US 6248067 B1	19-06-2001
			AU 2959601 A	31-07-2001

INTERNATIONAL SEARCH REPORT

Information on patent family members

International Application No
PCT/IB 03/01844

Patent document cited in search report	Publication date	Patent family member(s)	Publication date			
US 2002002326	A1	CA 2394768	A1 26-07-2001			
		EP 1250087	A1 23-10-2002			
		JP 2003520091	T 02-07-2003			
		WO 0152727	A1 26-07-2001			
		AU 5681599	A 14-03-2000			
		CA 2339935	A1 02-03-2000			
		EP 1109586	A2 27-06-2001			
		JP 2002523149	T 30-07-2002			
		US 2002107476	A1 08-08-2002			
		WO 0010628	A2 02-03-2000			
		US 2003181851	A1 25-09-2003			
		US 2003187525	A1 02-10-2003			
		US 2003181852	A1 25-09-2003			
		US 6551276	B1 22-04-2003			
		AU 6255699	A 26-04-2000			
		CA 2345043	A1 13-04-2000			
		EP 1119285	A1 01-08-2001			
		JP 2002526137	T 20-08-2002			
		WO 0019887	A1 13-04-2000			
		AU 5623100	A 09-01-2001			
		CA 2388689	A1 28-12-2000			
		EP 1191875	A1 03-04-2002			
		JP 2003502090	T 21-01-2003			
		WO 0078210	A1 28-12-2000			
		AU 2743200	A 25-08-2000			
		CA 2356682	A1 10-08-2000			
		EP 1148808	A1 31-10-2001			
		JP 2002536038	T 29-10-2002			
		WO 0045696	A1 10-08-2000			
		US 6315738	B1	13-11-2001	JP 2000199761	A 18-07-2000
					JP 2000254111	A 19-09-2000
JP 2001021556	A 26-01-2001					
JP 2001074731	A 23-03-2001					
CN 1337862	T 27-02-2002					
EP 1139873	A1 10-10-2001					
WO 0040150	A1 13-07-2000					