

Oct. 10 1933.

M. J. FLYNN

Des. 90,841

TIRE

Filed Dec. 27, 1932

Fig. 1.

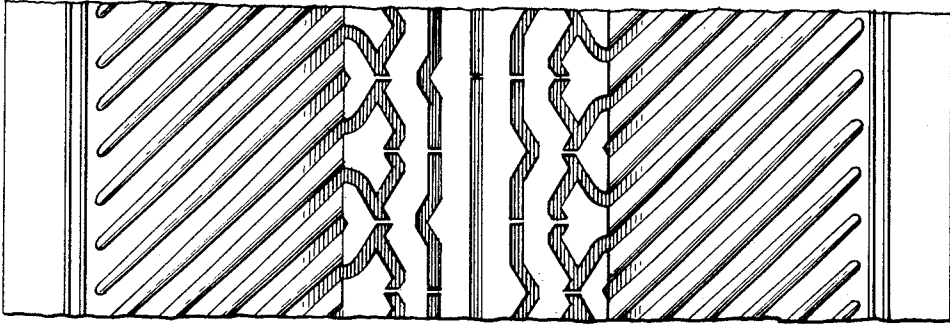


Fig. 2.

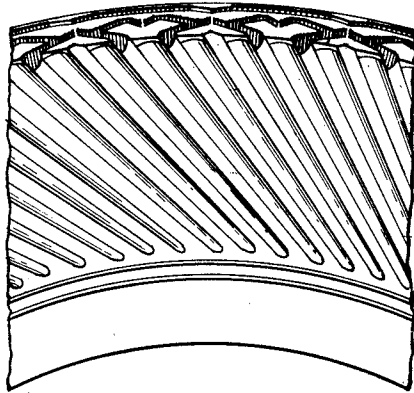
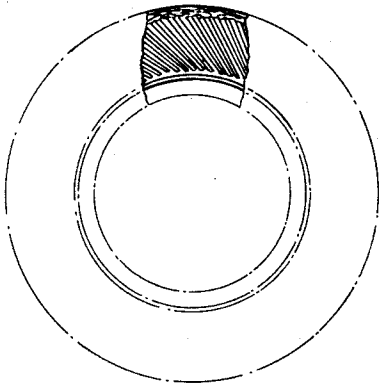


Fig. 3.



Inventor:
Michael J. Flynn,
By Dyrenforth, Du, Critton & Niles,
Attys.

UNITED STATES PATENT OFFICE

90,841

DESIGN FOR A TIRE

Michael J. Flynn, Chicago, Ill.

Application December 27, 1932
Serial No. 46,622

Term of patent 7 years

To all whom it may concern:

Be it known that I, MICHAEL J. FLYNN, a citizen of the United States, residing at Chicago, county of Cook, and State of Illinois, have invented a new, original, and ornamental Design for a Tire, of which the following is a specification, reference being had to the accompanying drawing in which Fig. 1 is a broken developed view; Fig. 2, a broken

view in side elevation, showing my new design applied to a tire; and Fig. 3, a side elevational view upon a small scale showing a complete tire with the design applied to a portion thereof.

I claim:

The ornamental design for a tire substantially as shown.

MICHAEL J. FLYNN.