



US00D734673S

(12) **United States Design Patent**
Brin

(10) **Patent No.:** **US D734,673 S**

(45) **Date of Patent:** **** Jul. 21, 2015**

(54) **BOTTLE**

(71) Applicant: **Herve Brin**, Lorient (TF)

(72) Inventor: **Herve Brin**, Lorient (TF)

(**) Term: **14 Years**

(21) Appl. No.: **29/475,390**

(22) Filed: **Dec. 3, 2013**

(51) **LOC (10) Cl.** **09-01**

(52) **U.S. Cl.**

USPC **D9/559**

(58) **Field of Classification Search**

USPC D9/600-681, 559, 683, 685, 693, 516,
D9/520, 541-543, 563-574, 545, 500,
D9/503-505, 561, 519, 539, 544, 548-549,
D9/551, 553-554, 575, 439, 682, 694,
D9/535; 215/381-384; D7/598-599

CPC A45D 34/02; A45D 34/00; B65D 1/0223;
B65D 1/40; B65D 2501/0081; B65D 83/384
See application file for complete search history.

(56)

References Cited

U.S. PATENT DOCUMENTS

D19,953 S * 7/1890 Martin D19/93
D48,866 S * 4/1916 Merrill D9/561
D60,563 S * 3/1922 Morrison D9/520

D94,364 S * 1/1935 Schneider D9/520
D532,306 S * 11/2006 MacLeod et al. D9/519
D533,783 S * 12/2006 Kliger et al. D9/519
D554,507 S * 11/2007 Laupie D9/519
D567,661 S * 4/2008 Behar et al. D9/529
D568,168 S * 5/2008 Boukobza D9/561
D586,226 S * 2/2009 Lloyd D9/556
D619,006 S * 7/2010 Veyssiere D9/519
D644,117 S * 8/2011 Baumer D9/630
D675,530 S * 2/2013 Meisenheimer et al. D9/522
D723,378 S * 3/2015 Kan et al. D9/562

* cited by examiner

Primary Examiner — Cynthia Ramirez

Assistant Examiner — Gino Colan

(74) *Attorney, Agent, or Firm* — B. Craig Killough;
Barnwell Whaley Patterson Helms

(57)

CLAIM

The ornamental design for a bottle, as shown and described.

DESCRIPTION

FIG. 1 is a perspective view of a side and a top of a bottle showing my new design;

FIG. 2 is front elevation of the bottle shown in FIG. 1;

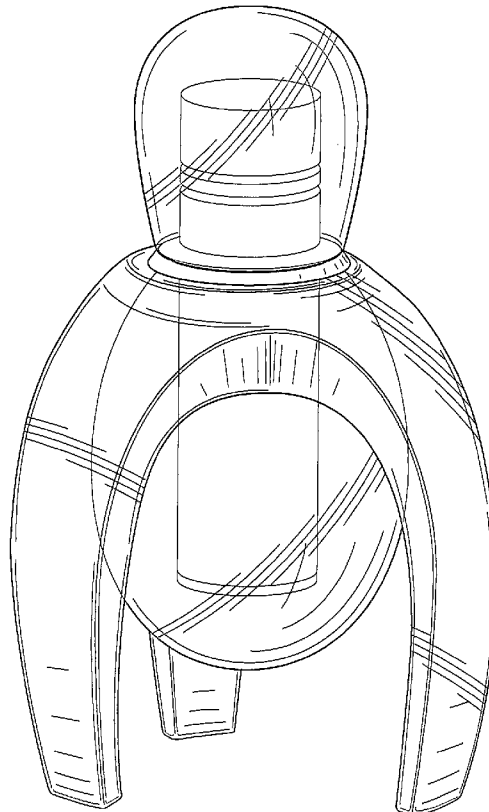
FIG. 3 is rear elevation of the bottle shown in FIG. 1;

FIG. 4 is a side elevation of the bottle shown in FIG. 1;

FIG. 5 is top plan view of the bottle of FIG. 1; and,

FIG. 6 is bottom plan view of the bottle of FIG. 1.

1 Claim, 5 Drawing Sheets



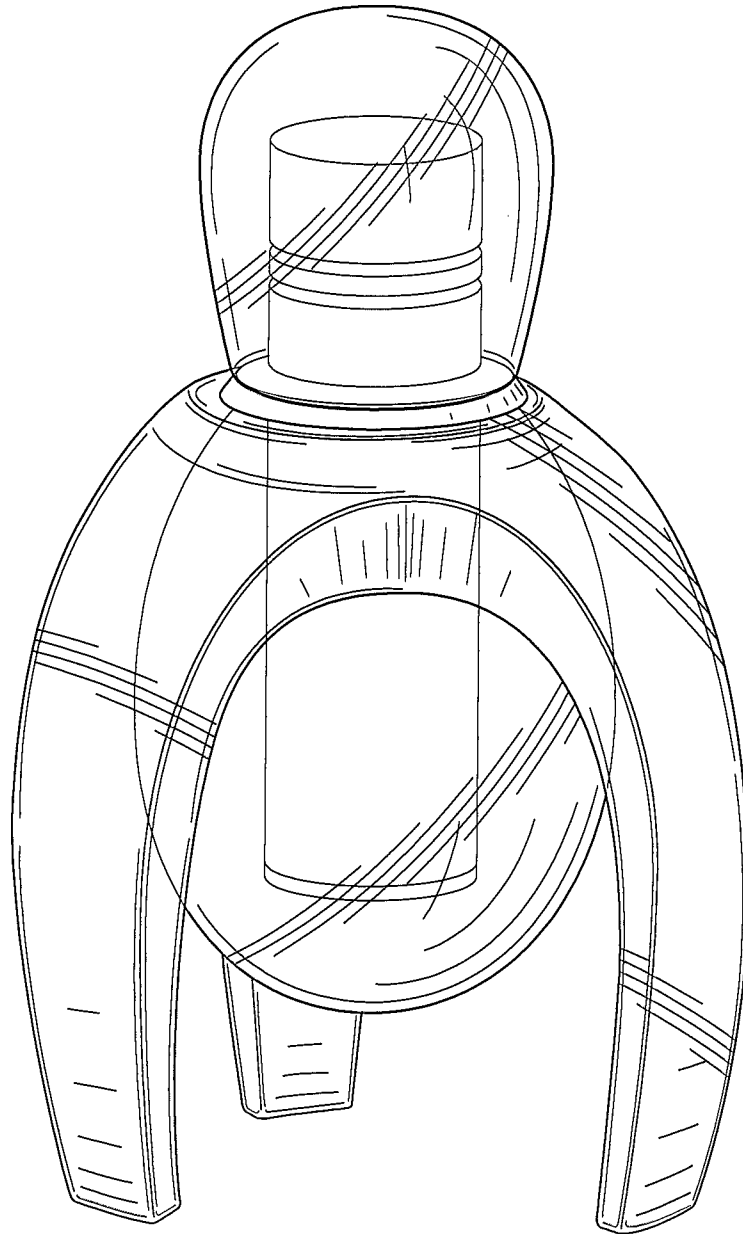


FIG. 1

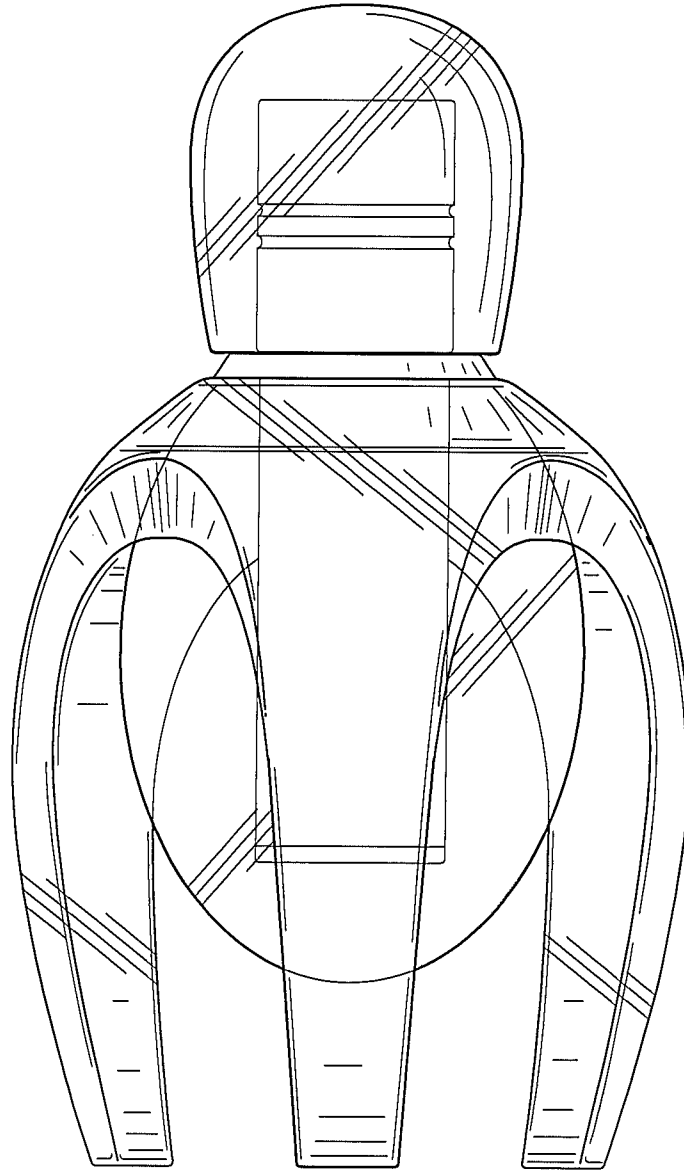


FIG. 2

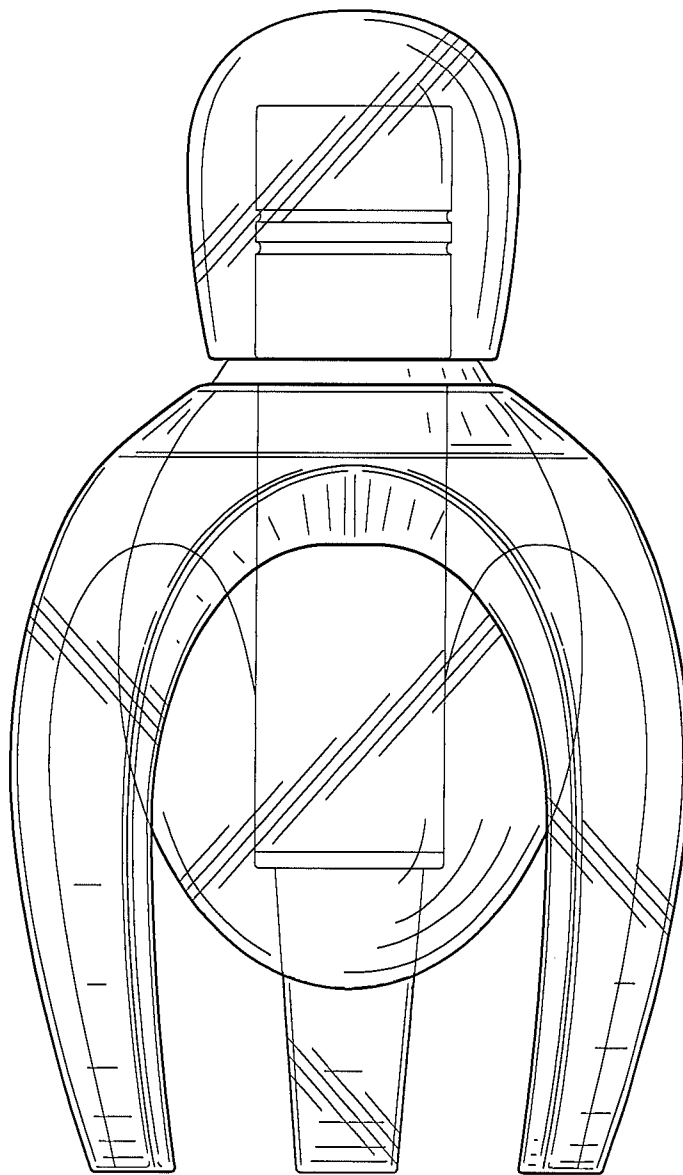


FIG. 3

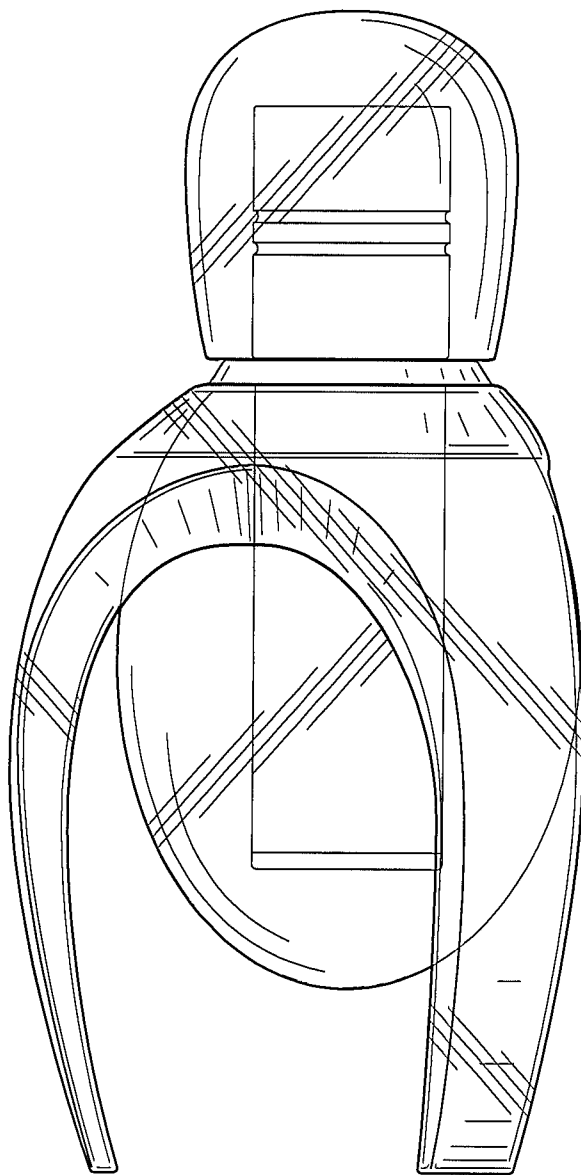


FIG. 4

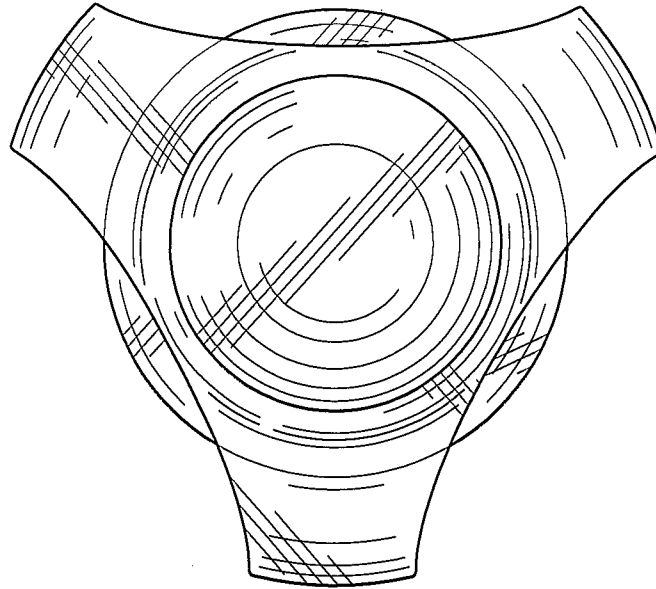


FIG. 5

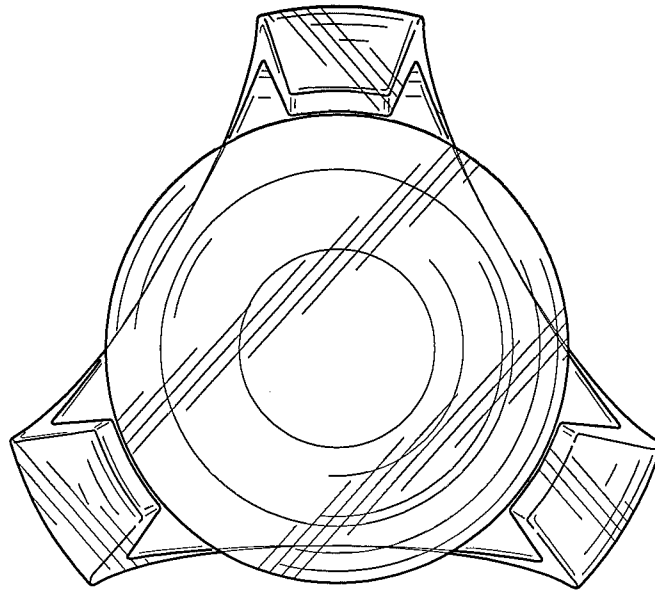


FIG. 6