



(43) International Publication Date
3 January 2014 (03.01.2014)

- (51) International Patent Classification:
B65D 17/50 (2006.01)
- (21) International Application Number:
PCT/PL2013/000084
- (22) International Filing Date:
24 June 2013 (24.06.2013)
- (25) Filing Language: English
- (26) Publication Language: English
- (30) Priority Data:
P.399690 27 June 2012 (27.06.2012) PL
- (72) Inventor; and
(71) Applicant : STRZELCZYK, Mieczysław [PL/PL]; ul.
Belgijska 1, 64-100 Leszno (PL).
- (74) Agent: POMIANEK, Grażyna; Kancelaria Patentowo-Prawna Pomianek Sp.j., ul. Subisława 23C lok. 7, 80-354 Gdańsk (PL).
- (81) Designated States (*unless otherwise indicated, for every kind of national protection available*): AE, AG, AL, AM, AO, AT, AU, AZ, BA, BB, BG, BH, BN, BR, BW, BY, BZ, CA, CH, CL, CN, CO, CR, CU, CZ, DE, DK, DM, DO, DZ, EC, EE, EG, ES, FI, GB, GD, GE, GH, GM, GT, HN, HR, HU, ID, IL, IN, IS, JP, KE, KG, KN, KP, KR, KZ, LA, LC, LK, LR, LS, LT, LU, LY, MA, MD, ME,

MG, MK, MN, MW, MX, MY, MZ, NA, NG, NI, NO, NZ, OM, PA, PE, PG, PH, PL, PT, QA, RO, RS, RU, RW, SC, SD, SE, SG, SK, SL, SM, ST, SV, SY, TH, TJ, TM, TN, TR, TT, TZ, UA, UG, US, UZ, VC, VN, ZA, ZM, ZW.

- (84) Designated States (*unless otherwise indicated, for every kind of regional protection available*): ARIPO (BW, GH, GM, KE, LR, LS, MW, MZ, NA, RW, SD, SL, SZ, TZ, UG, ZM, ZW), Eurasian (AM, AZ, BY, KG, KZ, RU, TJ, TM), European (AL, AT, BE, BG, CH, CY, CZ, DE, DK, EE, ES, FI, FR, GB, GR, HR, HU, IE, IS, IT, LT, LU, LV, MC, MK, MT, NL, NO, PL, PT, RO, RS, SE, SI, SK, SM, TR), OAPI (BF, BJ, CF, CG, CI, CM, GA, GN, GQ, GW, KM, ML, MR, NE, SN, TD, TG).

Declarations under Rule 4.17:

— *of inventorship (Rule 4.17(iv))*

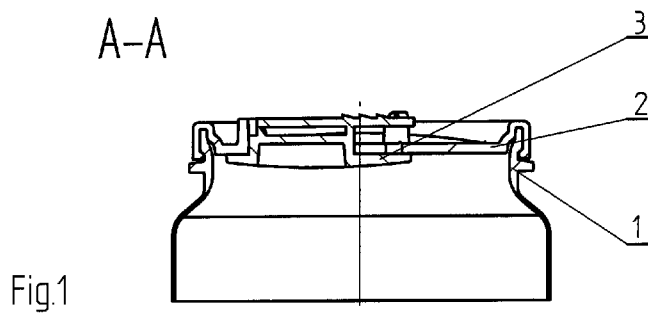
Published:

- *with international search report (Art. 21(3))*
- *before the expiration of the time limit for amending the claims and to be republished in the event of receipt of amendments (Rule 48.2(h))*

(88) Date of publication of the international search report:

5 June 2014

(54) Title: RECLOSING MECHANISM FOR CONTAINERS, PARTICULARLY BEVERAGE CONTAINERS



(57) Abstract: The reclosing mechanism for containers, particularly beverage containers, has the latch (3) fitted slidingly in the opening (5). Formed on the top side of the latch (3) there is an attachment (14) shorter than the opening (5) and narrower than the latch (3), where the attachment (14) is fitted with a pull tab (4) longer than the attachment (14) and fixed to the attachment (14) with a hinge (6) and a connector (7) which serves as the seal before the first opening. Formed on the opposite longitudinal sides of the attachment (14) there are catches (8) fitted slidingly on the guides (13) formed on the longer side walls of the opening (5). On the top surface of the element in which the opening (5) is made there are protrusions (10) formed on the side of the pull tab (4) front, on which the pull tab (4) rests and blocks the sliding of the latch (3) in the closed position.



INTERNATIONAL SEARCH REPORT

International application No
PCT/PL2013/000084

A. CLASSIFICATION OF SUBJECT MATTER INV. B65D17/50 ADD.		
According to International Patent Classification (IPC) or to both national classification and IPC		
B. FIELDS SEARCHED		
Minimum documentation searched (classification system followed by classification symbols) B65D		
Documentation searched other than minimum documentation to the extent that such documents are included in the fields searched		
Electronic data base consulted during the international search (name of data base and, where practicable, search terms used) EPO-Internal		
C. DOCUMENTS CONSIDERED TO BE RELEVANT		
Category*	Citation of document, with indication, where appropriate, of the relevant passages	Relevant to claim No.
A	EP 0 023 525 A1 (VOGT KUNO J) 11 February 1981 (1981-02-11) page 3, paragraph 3-5 page 5, paragraph 2 - page 6, paragraph 2 page 7, paragraph 3 - page 8, paragraph 2; figures -----	1,2,8,9
A	US 4 170 724 A (WATERBURY NELSON J [DE]) 9 October 1979 (1979-10-09) the whole document -----	1,7
A	US 3 977 578 A (PERRY WALTER MERTON) 31 August 1976 (1976-08-31) the whole document -----	1,7
A	FR 2 140 373 A1 (CROWN CORK & SEAL CO) 19 January 1973 (1973-01-19) the whole document -----	1
-/--		
<input checked="" type="checkbox"/> Further documents are listed in the continuation of Box C.		
<input checked="" type="checkbox"/> See patent family annex.		
* Special categories of cited documents :		
"A" document defining the general state of the art which is not considered to be of particular relevance	"T" later document published after the international filing date or priority date and not in conflict with the application but cited to understand the principle or theory underlying the invention	
"E" earlier application or patent but published on or after the international filing date	"X" document of particular relevance; the claimed invention cannot be considered novel or cannot be considered to involve an inventive step when the document is taken alone	
"L" document which may throw doubts on priority claim(s) or which is cited to establish the publication date of another citation or other special reason (as specified)	"Y" document of particular relevance; the claimed invention cannot be considered to involve an inventive step when the document is combined with one or more other such documents, such combination being obvious to a person skilled in the art	
"O" document referring to an oral disclosure, use, exhibition or other means	"&" document member of the same patent family	
"P" document published prior to the international filing date but later than the priority date claimed		
Date of the actual completion of the international search 2 April 2014	Date of mailing of the international search report 11/04/2014	
Name and mailing address of the ISA/ European Patent Office, P.B. 5818 Patentlaan 2 NL - 2280 HV Rijswijk Tel. (+31-70) 340-2040, Fax: (+31-70) 340-3016	Authorized officer Gino, Christophe	

INTERNATIONAL SEARCH REPORT

International application No
PCT/PL2013/000084

C(Continuation). DOCUMENTS CONSIDERED TO BE RELEVANT

Category*	Citation of document, with indication, where appropriate, of the relevant passages	Relevant to claim No.
A	US 4 746 032 A (HUANG DAR S [TW]) 24 May 1988 (1988-05-24) abstract; figures -----	1-9

INTERNATIONAL SEARCH REPORT

Information on patent family members

International application No PCT/PL2013/000084

Patent document cited in search report	Publication date	Patent family member(s)	Publication date
EP 0023525	A1	11-02-1981	NONE

US 4170724	A	09-10-1979	NONE

US 3977578	A	31-08-1976	NONE

FR 2140373	A1	19-01-1973	BE 784514 A5 02-10-1972
			ES 178040 Y 01-05-1973
			FR 2140373 A1 19-01-1973
			NL 7203063 A 11-12-1972

US 4746032	A	24-05-1988	EP 0305598 A1 08-03-1989
			US 4746032 A 24-05-1988
