



(51) International Patent Classification:

F23M 5/00 (2006.01) F23R 3/42 (2006.01)
F23M 5/08 (2006.01) F02C 3/14 (2006.01)

(21) International Application Number:

PCT/US2014/072358

(22) International Filing Date:

24 December 2014 (24.12.2014)

(25) Filing Language:

English

(26) Publication Language:

English

(30) Priority Data:

61/923,469 3 January 2014 (03.01.2014) US

(71) Applicant: UNITED TECHNOLOGIES CORPORATION [US/US]; 1 Financial Plaza, Hartford, Connecticut 06101 (US).

(72) Inventor: SANDOVAL, Jonathan P.; 905 Gilead Street, Hebron, Connecticut 06248 (US).

(74) Agent: O'SHEA, Patrick J.; O'Shea Getz P.C., 1500 Main Street, Suite 912, Springfield, Massachusetts 01115 (US).

(81) Designated States (unless otherwise indicated, for every kind of national protection available): AE, AG, AL, AM,

AO, AT, AU, AZ, BA, BB, BG, BH, BN, BR, BW, BY, BZ, CA, CH, CL, CN, CO, CR, CU, CZ, DE, DK, DM, DO, DZ, EC, EE, EG, ES, FI, GB, GD, GE, GH, GM, GT, HN, HR, HU, ID, IL, IN, IR, IS, JP, KE, KG, KN, KP, KR, KZ, LA, LC, LK, LR, LS, LU, LY, MA, MD, ME, MG, MK, MN, MW, MX, MY, MZ, NA, NG, NI, NO, NZ, OM, PA, PE, PG, PH, PL, PT, QA, RO, RS, RU, RW, SA, SC, SD, SE, SG, SK, SL, SM, ST, SV, SY, TH, TJ, TM, TN, TR, TT, TZ, UA, UG, US, UZ, VC, VN, ZA, ZM, ZW.

(84) Designated States (unless otherwise indicated, for every kind of regional protection available): ARIPO (BW, GH, GM, KE, LR, LS, MW, MZ, NA, RW, SD, SL, ST, SZ, TZ, UG, ZM, ZW), Eurasian (AM, AZ, BY, KG, KZ, RU, TJ, TM), European (AL, AT, BE, BG, CH, CY, CZ, DE, DK, EE, ES, FI, FR, GB, GR, HR, HU, IE, IS, IT, LT, LU, LV, MC, MK, MT, NL, NO, PL, PT, RO, RS, SE, SI, SK, SM, TR), OAPI (BF, BJ, CF, CG, CI, CM, GA, GN, GQ, GW, KM, ML, MR, NE, SN, TD, TG).

Published:

— with international search report (Art. 21(3))

(88) Date of publication of the international search report:

21 January 2016

(54) Title: A COOLED GROMMET FOR A COMBUSTOR WALL ASSEMBLY

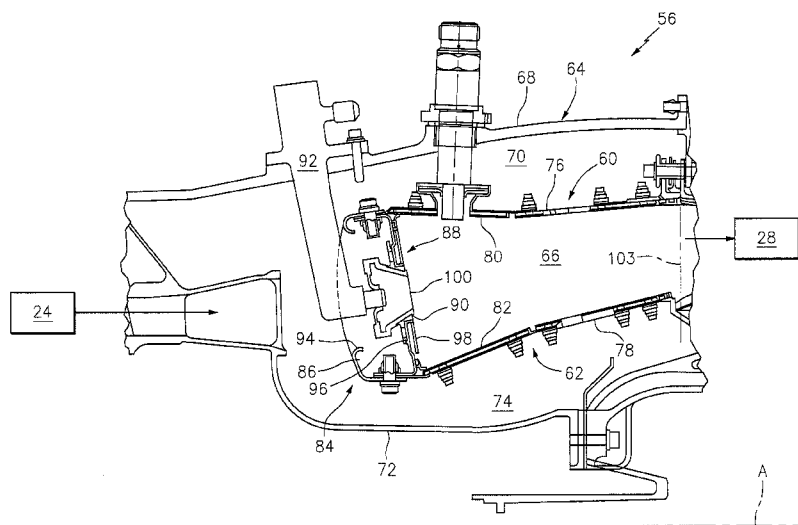


FIG. 2

(57) Abstract: A combustor wall assembly has a heat shield and a supporting shell with a cooling cavity defined therebetween. A grommet generally includes a wall defining a dilution hole isolated from the cooling cavity, and a flange projecting radially outward from the wall and into the cooling cavity. The flange is spaced from the heat shield and a cooling channel is defined between the wall and the heat shield that communicates with the cavity for cooling the wall proximate to a combustion chamber.



INTERNATIONAL SEARCH REPORT

International application No.
PCT/US2014/072358**A. CLASSIFICATION OF SUBJECT MATTER****F23M 5/00(2006.01)i, F23M 5/08(2006.01)i, F23R 3/42(2006.01)i, F02C 3/14(2006.01)i**

According to International Patent Classification (IPC) or to both national classification and IPC

B. FIELDS SEARCHED

Minimum documentation searched (classification system followed by classification symbols)

F23M 5/00; F02C 7/12; F23M 5/08; F23R 3/00; F02C 9/00; F02C 7/18; F23R 3/42; B21D 53/00; F02C 3/14

Documentation searched other than minimum documentation to the extent that such documents are included in the fields searched

Korean utility models and applications for utility models

Japanese utility models and applications for utility models

Electronic data base consulted during the international search (name of data base and, where practicable, search terms used)

eKOMPASS(KIPO internal) & Keywords: F23M 5/00, F23M 5/08, F23R 3/42, F02C 3/14

C. DOCUMENTS CONSIDERED TO BE RELEVANT

Category*	Citation of document, with indication, where appropriate, of the relevant passages	Relevant to claim No.
X	US 2013-0255269 A1 (MCKENZIE et al.) 03 October 2013 See abstract; paragraphs [0034]-[0041]; and figures 1-5.	11-16
Y		1-5, 17, 21
A		6-10, 18-20
Y	US 2010-0186416 A1 (CHEN et al.) 29 July 2010 See abstract; paragraphs [0018], [0021]-[0022]; and figures 1-4.	1-5, 17, 21
A	US 2013-0025288 A1 (CUNHA et al.) 31 January 2013 See abstract; paragraphs [0031]-[0032], [0038]; and figures 2-4, 14-15.	1-21
A	US 4132066 A (AUSTIN, JR. et al.) 02 January 1979 See abstract; column 2, line 48 - column 3, line 60; and figures 2-11.	1-21
A	US 2012-0297778 A1 (RUDRAPATNA et al.) 29 November 2012 See abstract; paragraphs [0031], [0033], [0047], [0050]-[0053]; and figures 1-3, 10-13.	1-21

 Further documents are listed in the continuation of Box C. See patent family annex.

* Special categories of cited documents:

"A" document defining the general state of the art which is not considered to be of particular relevance

"E" earlier application or patent but published on or after the international filing date

"L" document which may throw doubts on priority claim(s) or which is cited to establish the publication date of another citation or other special reason (as specified)

"O" document referring to an oral disclosure, use, exhibition or other means

"P" document published prior to the international filing date but later than the priority date claimed

"T" later document published after the international filing date or priority date and not in conflict with the application but cited to understand the principle or theory underlying the invention

"X" document of particular relevance; the claimed invention cannot be considered novel or cannot be considered to involve an inventive step when the document is taken alone

"Y" document of particular relevance; the claimed invention cannot be considered to involve an inventive step when the document is combined with one or more other such documents, such combination being obvious to a person skilled in the art

"&" document member of the same patent family

Date of the actual completion of the international search

24 September 2015 (24.09.2015)

Date of mailing of the international search report

25 September 2015 (25.09.2015)

Name and mailing address of the ISA/KR

International Application Division
Korean Intellectual Property Office
189 Cheongsu-ro, Seo-gu, Daejeon Metropolitan City, 35208,
Republic of Korea

Facsimile No. +82-42-472-7140

Authorized officer

LEE, Dal Kyong

Telephone No. +82-42-481-8440



INTERNATIONAL SEARCH REPORT

Information on patent family members

International application No.

PCT/US2014/072358

Patent document cited in search report	Publication date	Patent family member(s)	Publication date
US 2013-0255269 A1	03/10/2013	EP 2834509 A1 WO 2013-151875 A1	11/02/2015 10/10/2013
US 2010-0186416 A1	29/07/2010	CN 101900338 A CN 101900338 B EP 2211106 A2 JP 2010-175239 A JP 5614994 B2 US 8387397 B2	01/12/2010 10/12/2014 28/07/2010 12/08/2010 29/10/2014 05/03/2013
US 2013-0025288 A1	31/01/2013	EP 2551592 A2 US 9057523 B2	30/01/2013 16/06/2015
US 4132066 A	02/01/1979	None	
US 2012-0297778 A1	29/11/2012	EP 2527740 A2 US 9062884 B2	28/11/2012 23/06/2015