



US00D757955S

(12) **United States Design Patent**  
**Johnson et al.**

(10) **Patent No.:** **US D757,955 S**

(45) **Date of Patent:** **\*\* May 31, 2016**

- (54) **THERAPEUTIC LIGHT SOURCE**
- (71) Applicant: **UVL Blood Labs, Inc.**, Santa Barbara, CA (US)
- (72) Inventors: **Scot Johnson**, Lutz, FL (US); **Michael Harter**, Tampa, FL (US)
- (73) Assignee: **UVLrx Therapeutics, Inc.**, Santa Barbara, CA (US)

D456,523 S *	4/2002	Waluszko	.....	D24/216
D479,879 S *	9/2003	Dickinson	.....	D24/232
D545,973 S *	7/2007	Powell	.....	D24/209
7,547,391 B2 *	6/2009	Petrie	.....	A61L 2/0011 210/198.1
D603,971 S *	11/2009	Gonzales	.....	D24/200
D611,160 S *	3/2010	Fernie	.....	D24/209
D612,503 S *	3/2010	Johnston	.....	D24/186
D672,470 S *	12/2012	Rebholz	.....	D24/232
D728,776 S *	5/2015	Rogers	.....	D24/107
2011/0144725 A1 *	6/2011	Pryor	.....	A61N 5/0601 607/89

(\*\*) Term: **14 Years**

\* cited by examiner

(21) Appl. No.: **29/495,763**

*Primary Examiner* — Anhdao Doan

(22) Filed: **Jul. 3, 2014**

(74) *Attorney, Agent, or Firm* — Figh & Tsang LLP

(51) **LOC (10) Cl.** ..... **24-01**

(52) **U.S. Cl.**

USPC ..... **D24/209**

(58) **Field of Classification Search**

USPC ..... D24/107, 186, 158, 231, 200, 209, 210,  
D24/216, 232; D26/29, 37, 39, 93, 104;  
D28/9, 44.1

CPC ..... A61N 5/0616; A61N 5/0624; A61N  
2005/0652; A61N 2005/0654; A61N  
2005/0642; A61N 2005/0644; A61N  
2005/0636; A61N 2005/0626; A61N  
2005/0627; A61B 2018/00452; A61B  
2018/1807

See application file for complete search history.

(56) **References Cited**

**U.S. PATENT DOCUMENTS**

D400,249 S *	10/1998	Holubar	.....	D24/107
D424,199 S *	5/2000	Wells	.....	D24/158

(57) **CLAIM**

The ornamental design for a therapeutic light source, as shown and described.

**DESCRIPTION**

FIG. 1 is a top, front, left side perspective view of a therapeutic light source.

FIG. 2 is a front elevation view thereof.

FIG. 3 is a rear elevation view thereof.

FIG. 4 is a left side elevation top thereof.

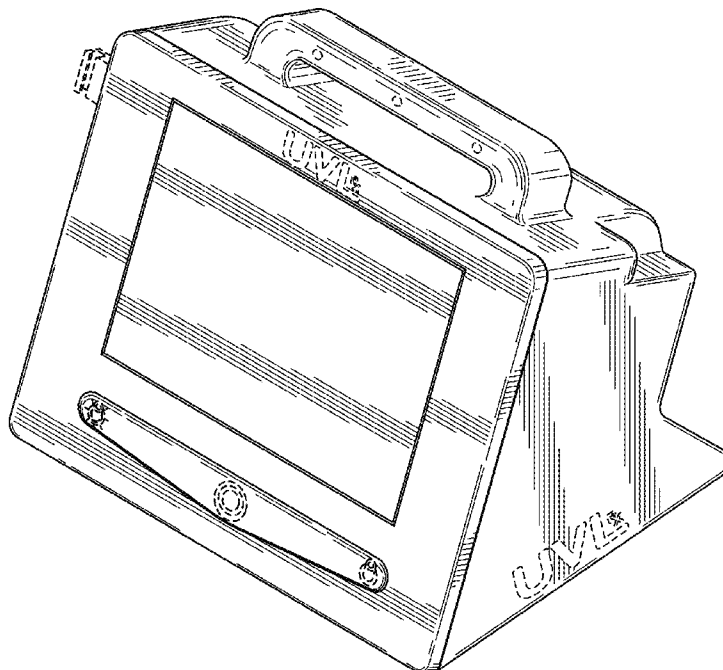
FIG. 5 is a right side elevation view thereof.

FIG. 6 is a top plan view thereof; and,

FIG. 7 is a bottom plan view thereof.

The broken lines in the drawing views are included for the purpose of illustrating portions of the therapeutic light source that form no part of the claimed design.

**1 Claim, 7 Drawing Sheets**



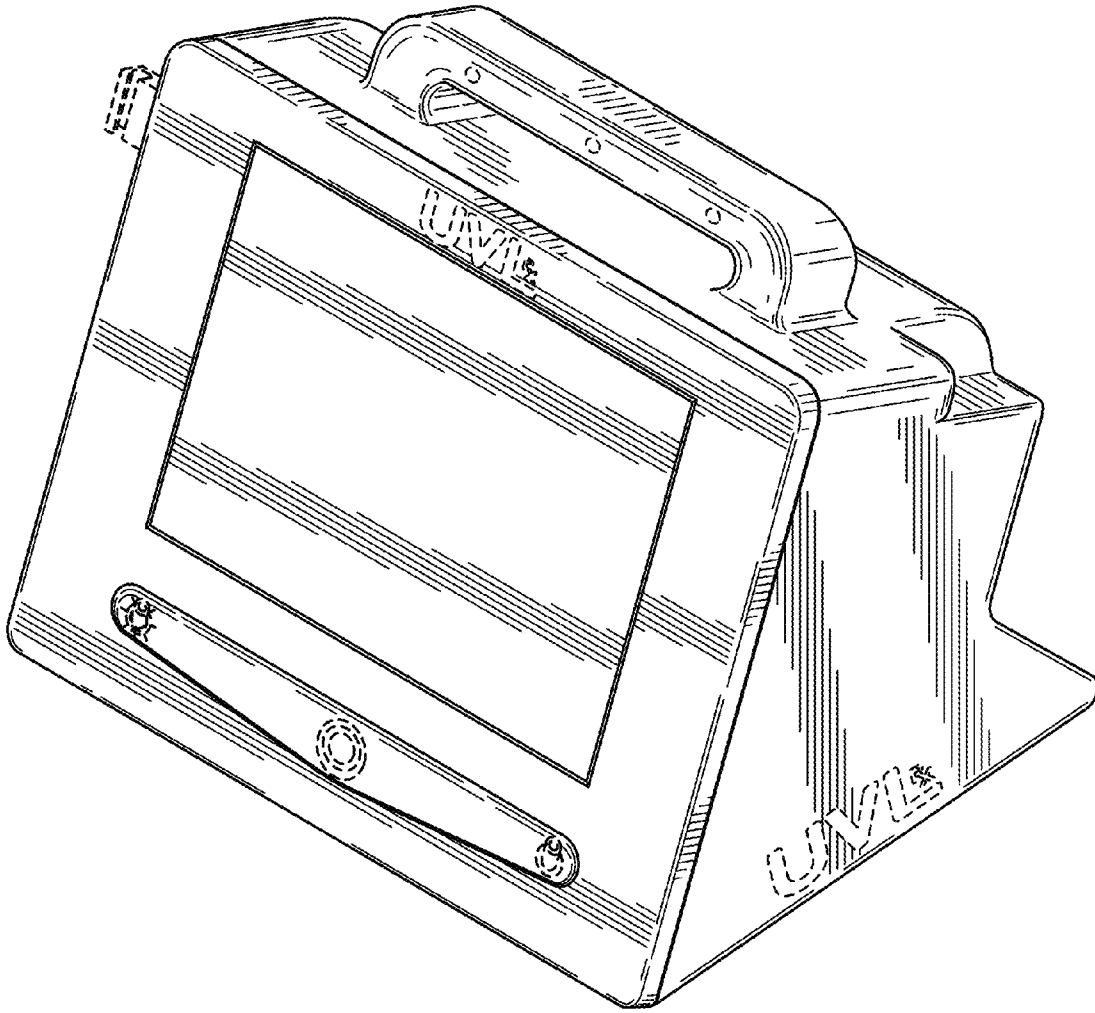


FIG. 1

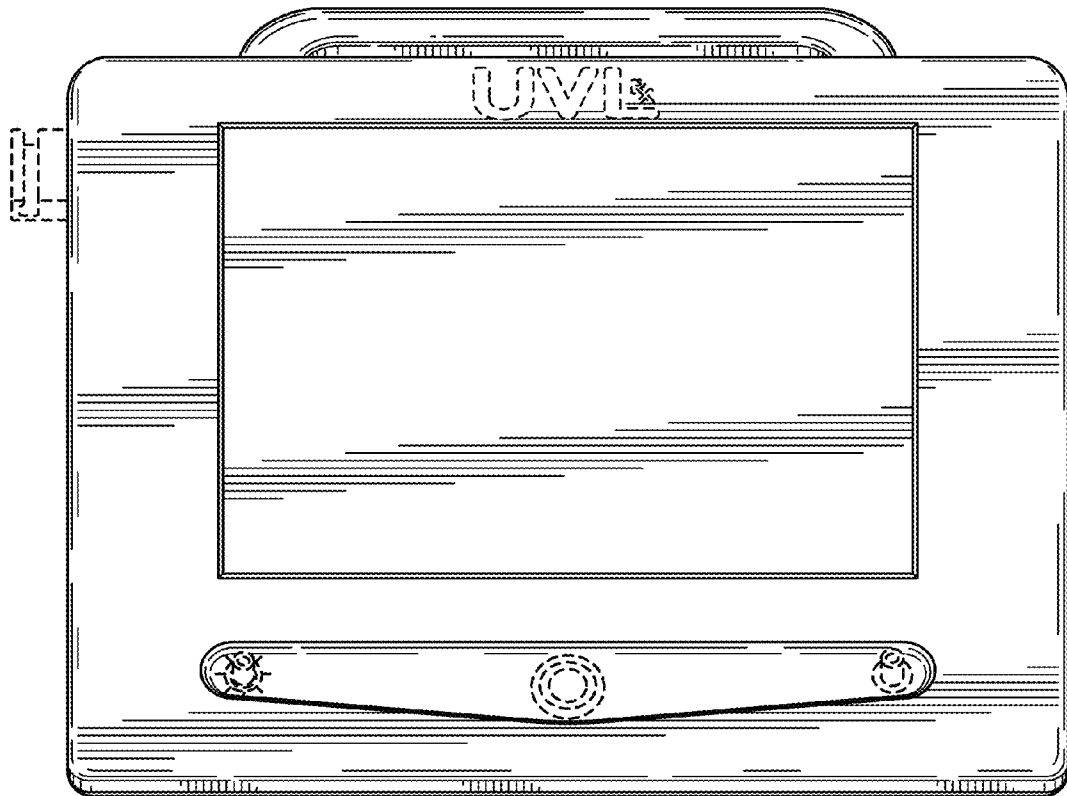


FIG. 2

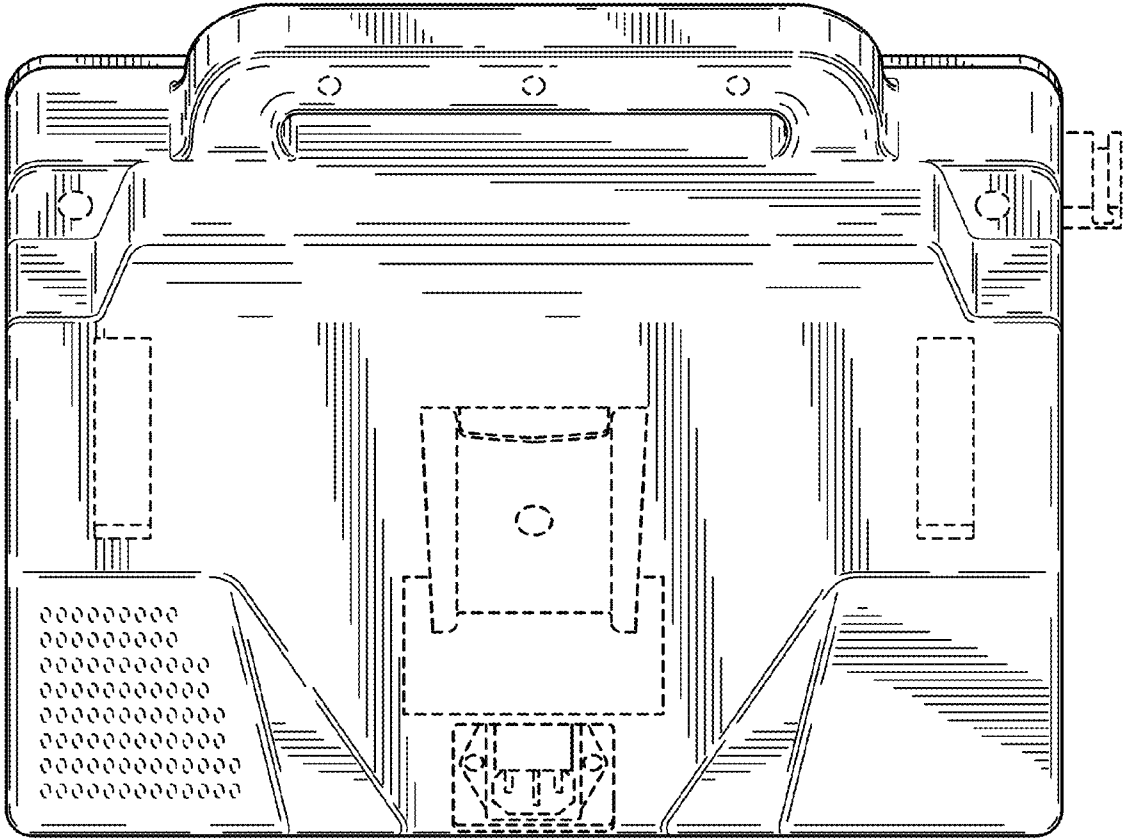
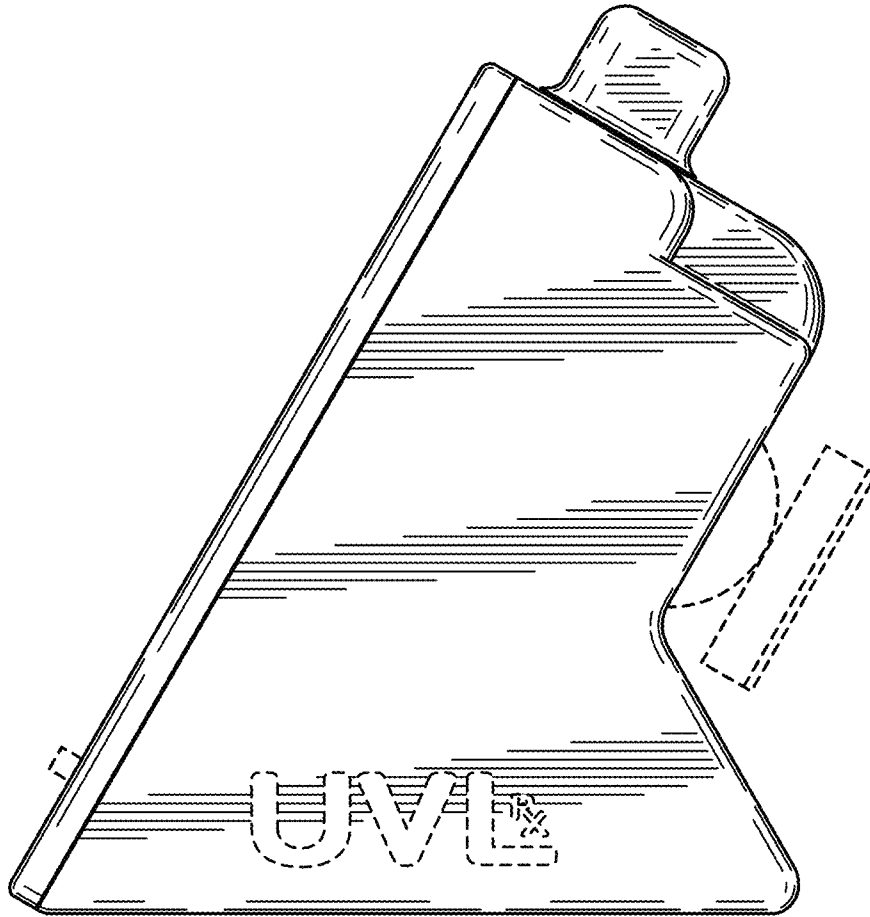
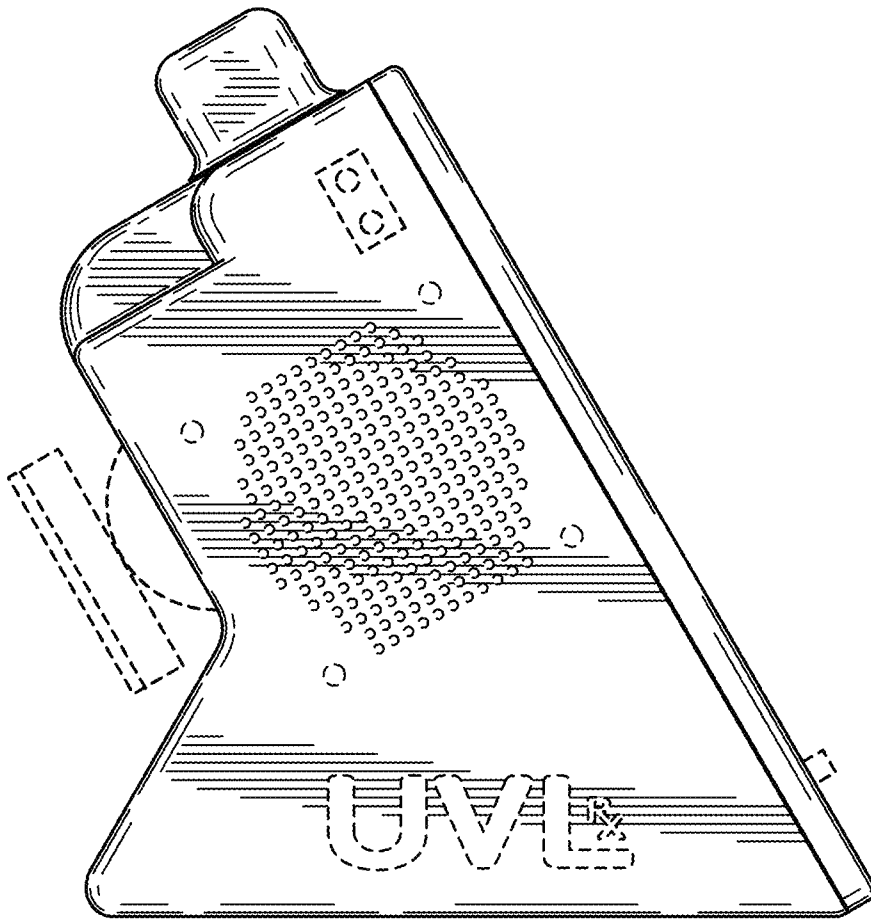


FIG. 3



**FIG. 4**



**FIG. 5**

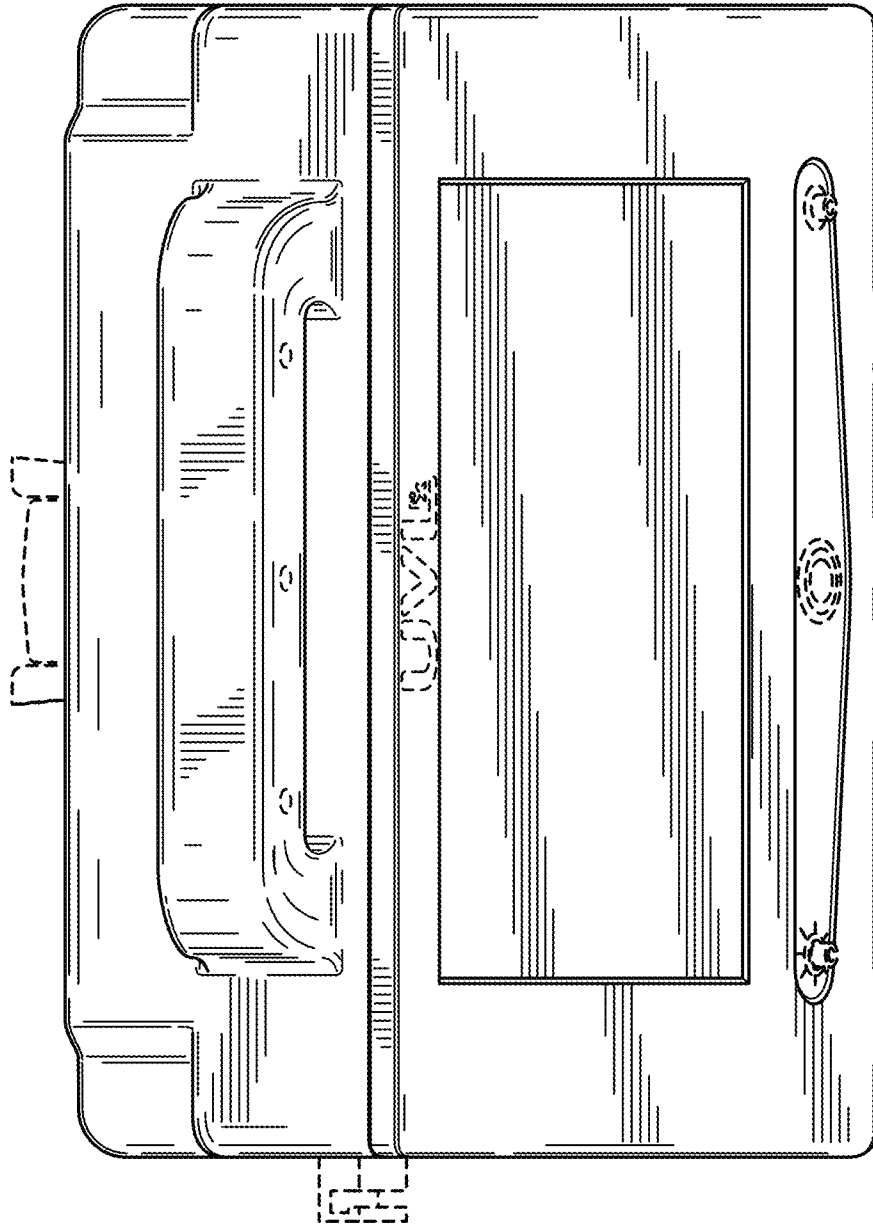


FIG. 6

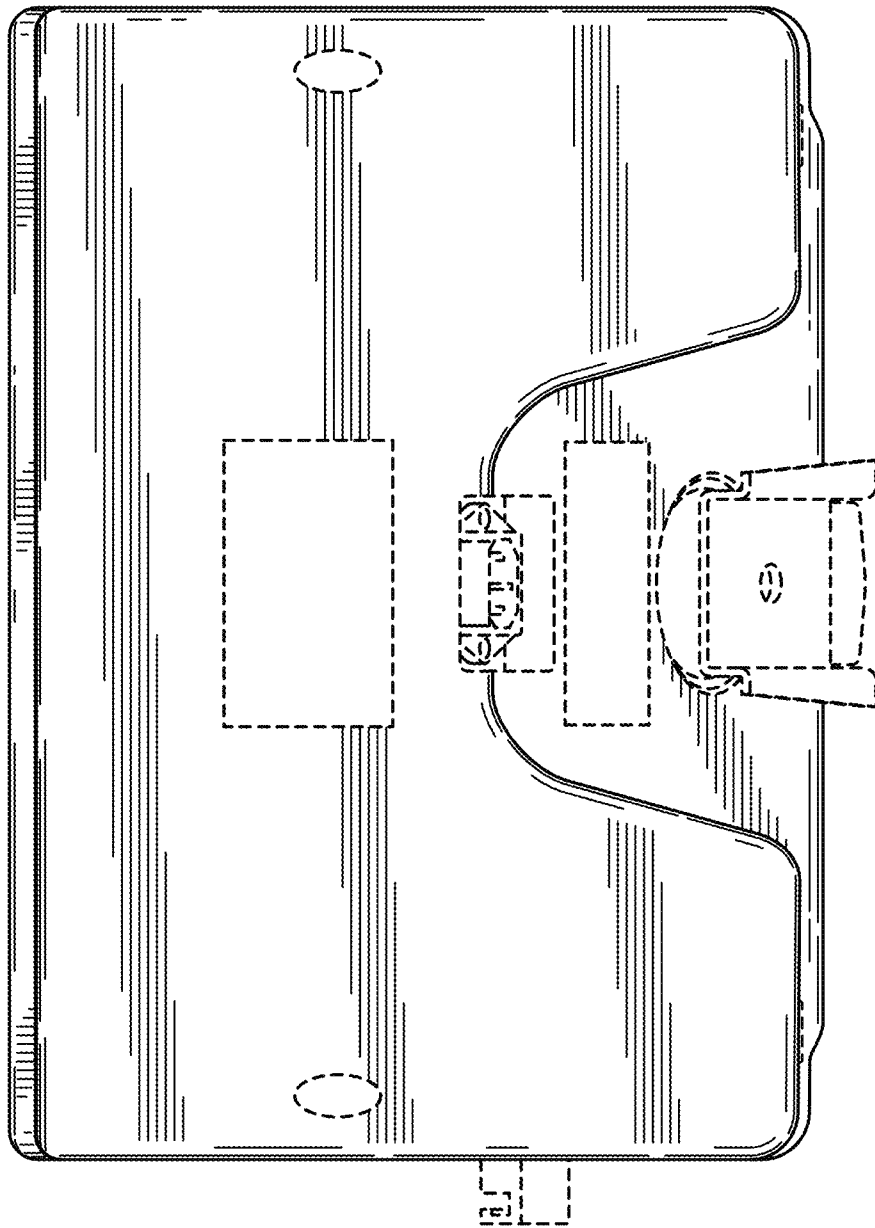


FIG. 7