



US00D353104S

# United States Patent [19]

[11] Patent Number: **Des. 353,104**

**Moore**

[45] Date of Patent: **\*\* Dec. 6, 1994**

- [54] **CLOCK**
- [75] Inventor: **Shan-ker Moore, Taichung Hsien, Taiwan, Prov. of China**
- [73] Assignee: **Centre Clock Industry Co., Ltd., Taichung Hsien, Taiwan, Prov. of China**
- [\*\*] Term: **14 Years**
- [21] Appl. No.: **6,020**
- [22] Filed: **Mar. 17, 1993**
- [52] U.S. Cl. .... **D10/28**
- [58] Field of Search ..... 368/179-180, 368/316-317, 276-277, 285; D10/1-40, 122-132

- D. 312,790 12/1990 Kato ..... D10/26
- D. 322,408 12/1991 Odaka ..... D10/26
- D. 333,620 3/1993 Moore ..... D10/29
- D. 335,630 5/1993 Wada ..... D10/28
- D. 335,633 5/1993 Wada ..... D10/28

*Primary Examiner*—Nelson C. Holtje  
*Attorney, Agent, or Firm*—Browdy and Neimark

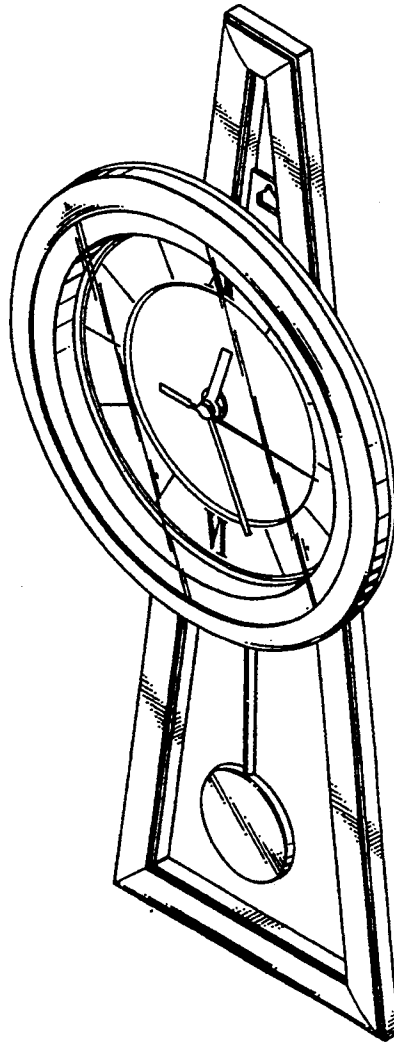
### [57] CLAIM

The ornamental design for a clock, as shown and described.

### DESCRIPTION

FIG. 1 is a front view of a clock showing my new design;  
 FIG. 2 is a rear view thereof;  
 FIG. 3 is a left side view thereof;  
 FIG. 4 is a right side view thereof;  
 FIG. 5 is a top view thereof;  
 FIG. 6 is a bottom view thereof; and,  
 FIG. 7 is a perspective view thereof.

- [56] **References Cited**
- U.S. PATENT DOCUMENTS**
- D. 99,999 6/1936 Braude ..... D10/23
- D. 208,802 10/1967 Laylon ..... D10/23 X



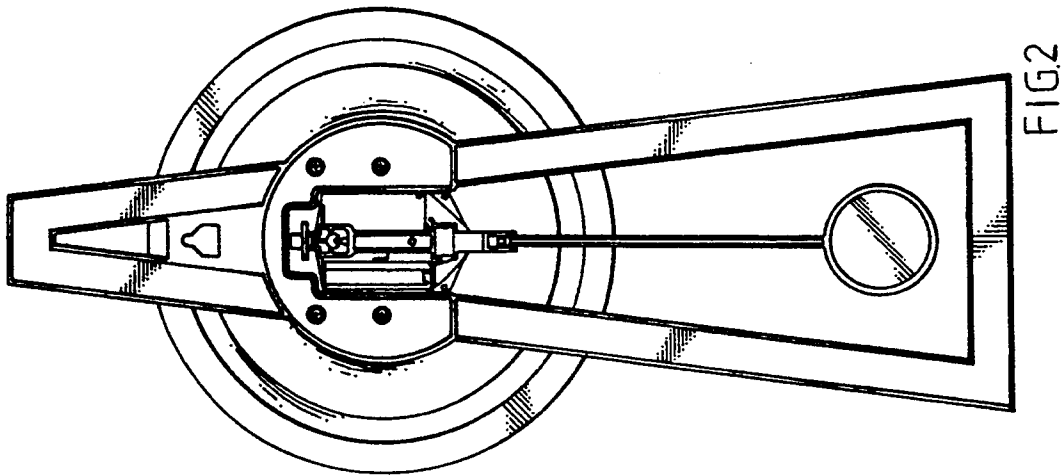


FIG. 2

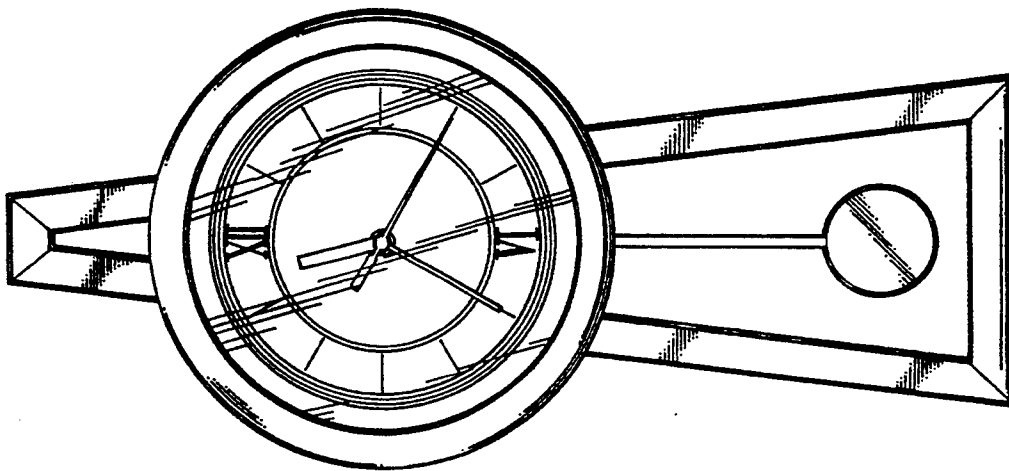


FIG. 1

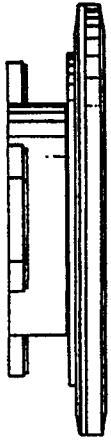


FIG. 5



FIG. 6

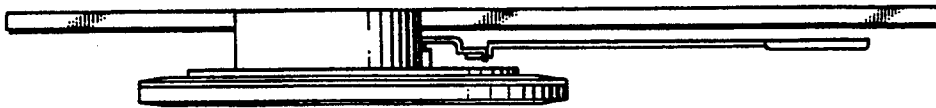


FIG. 4

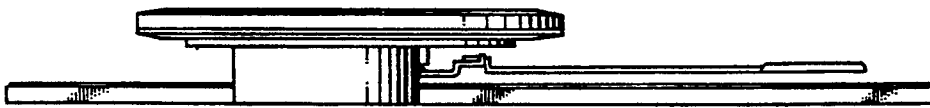


FIG. 3

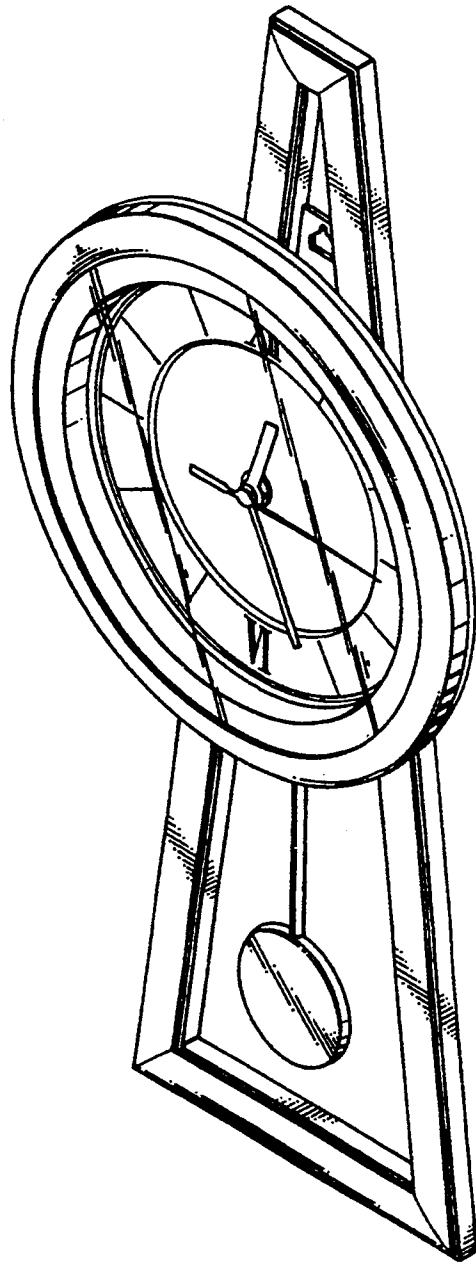


FIG. 7