



US00D719958S

(12) **United States Design Patent**  
**Dallmeyer et al.**

(10) **Patent No.:** **US D719,958 S**

(45) **Date of Patent:** **\*\* Dec. 23, 2014**

(54) **PANEL FOR ELECTRONIC HOUSING**

(71) Applicant: **Microsoft Corporation**, Redmond, WA (US)

(72) Inventors: **Scott Dallmeyer**, Seattle, WA (US);  
**Carl J. Ledbetter**, Mercer Island, WA (US);  
**Joel B. Jacobs**, Seattle, WA (US);  
**Audrey C. Louchart**, Seattle, WA (US);  
**Saro Nalbandian**, Redmond, WA (US)

(73) Assignee: **Microsoft Corporation**, Redmond, WA (US)

(\*\*) Term: **14 Years**

(21) Appl. No.: **29/449,177**

(22) Filed: **Mar. 14, 2013**

(51) **LOC (10) Cl.** ..... **14-02**

(52) **U.S. Cl.**  
USPC ..... **D14/441**

(58) **Field of Classification Search**

USPC ..... D13/184, 199; D14/300, 301, 302, 308,  
D14/314, 348, 349, 350, 351, 352, 353, 354,  
D14/355, 356, 357, 358, 359, 432, 439,  
D14/441-446; 312/223.1, 223.2, 223.3;  
360/99.01-99.12; 361/724, 600,  
361/679.31-679.39; 369/34.01, 36.01;  
D21/332

See application file for complete search history.

(56) **References Cited**

**U.S. PATENT DOCUMENTS**

D417,865 S \* 12/1999 Wilson et al. .... D14/441  
D452,282 S 12/2001 Stewart et al.  
D515,095 S \* 2/2006 Breitbarth et al. .... D14/441

D537,447 S \* 2/2007 Ayala et al. .... D14/441  
D543,954 S 6/2007 Hayes et al.  
D543,955 S 6/2007 Hayes et al.  
D543,956 S 6/2007 Hayes et al.  
D568,276 S 5/2008 Ikeda et al.  
D589,047 S \* 3/2009 Kawase et al. .... D14/441  
D647,918 S 11/2011 Ledbetter et al.  
D650,786 S \* 12/2011 Terwilliger et al. .... D14/443  
D657,788 S 4/2012 Ledbetter et al.  
D665,424 S 8/2012 Ledbetter et al.

**OTHER PUBLICATIONS**

Nintendo NES [online], [retrieved on May 14, 2013]. Retrieved from internet, <[http://gamesdbase.com/system-nintendo\\_nes.aspx/](http://gamesdbase.com/system-nintendo_nes.aspx/)>.

\* cited by examiner

*Primary Examiner* — Freda S Nunn

(74) *Attorney, Agent, or Firm* — Banner & Witcoff, Ltd.

(57) **CLAIM**

The ornamental design for a panel for electronic housing, as shown and described.

**DESCRIPTION**

FIG. 1 is a front-left perspective view of a panel for electronic housing showing our new design;

FIG. 2 is a front view thereof;

FIG. 3 is a rear view thereof;

FIG. 4 is a right side view thereof;

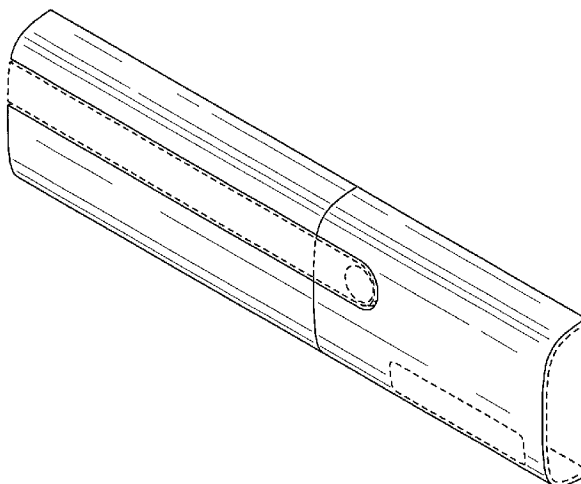
FIG. 5 is a left side view thereof;

FIG. 6 is a top view thereof; and,

FIG. 7 is a bottom view thereof.

The broken lines are shown for environmental purposes only and form no part of the claimed design.

**1 Claim, 3 Drawing Sheets**



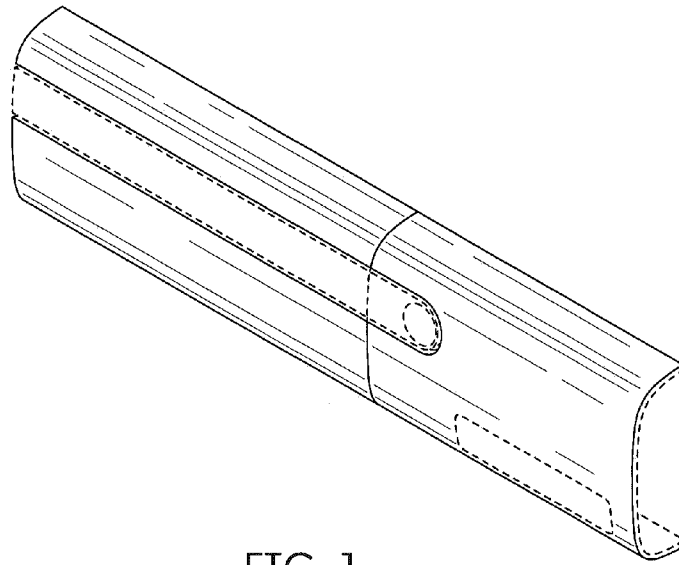


FIG. 1

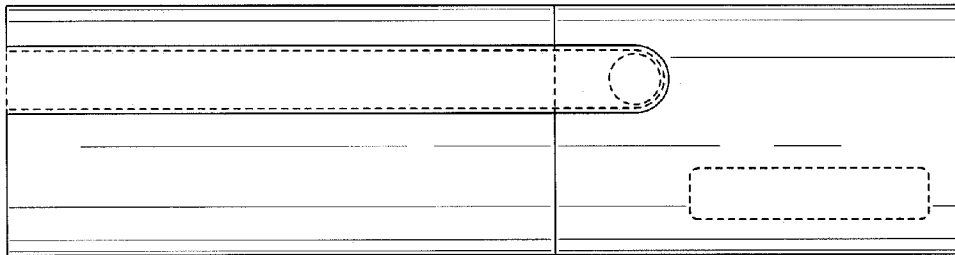


FIG. 2

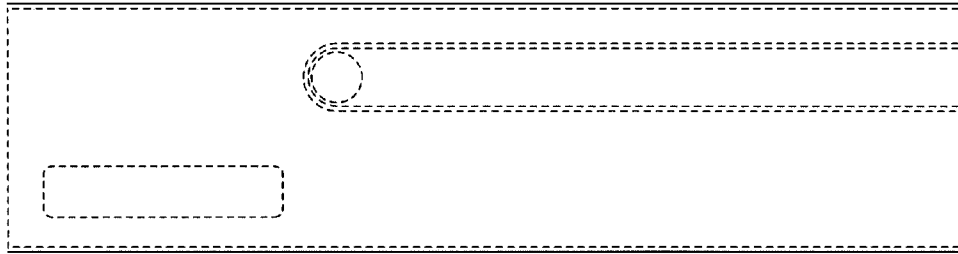


FIG. 3

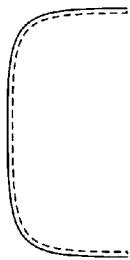


FIG. 4

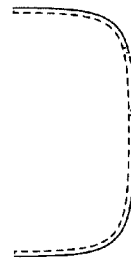


FIG. 5



FIG. 6

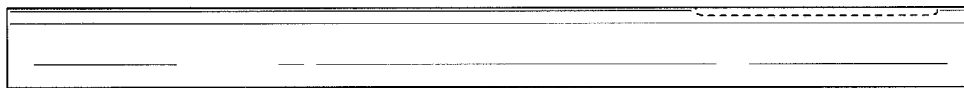


FIG. 7