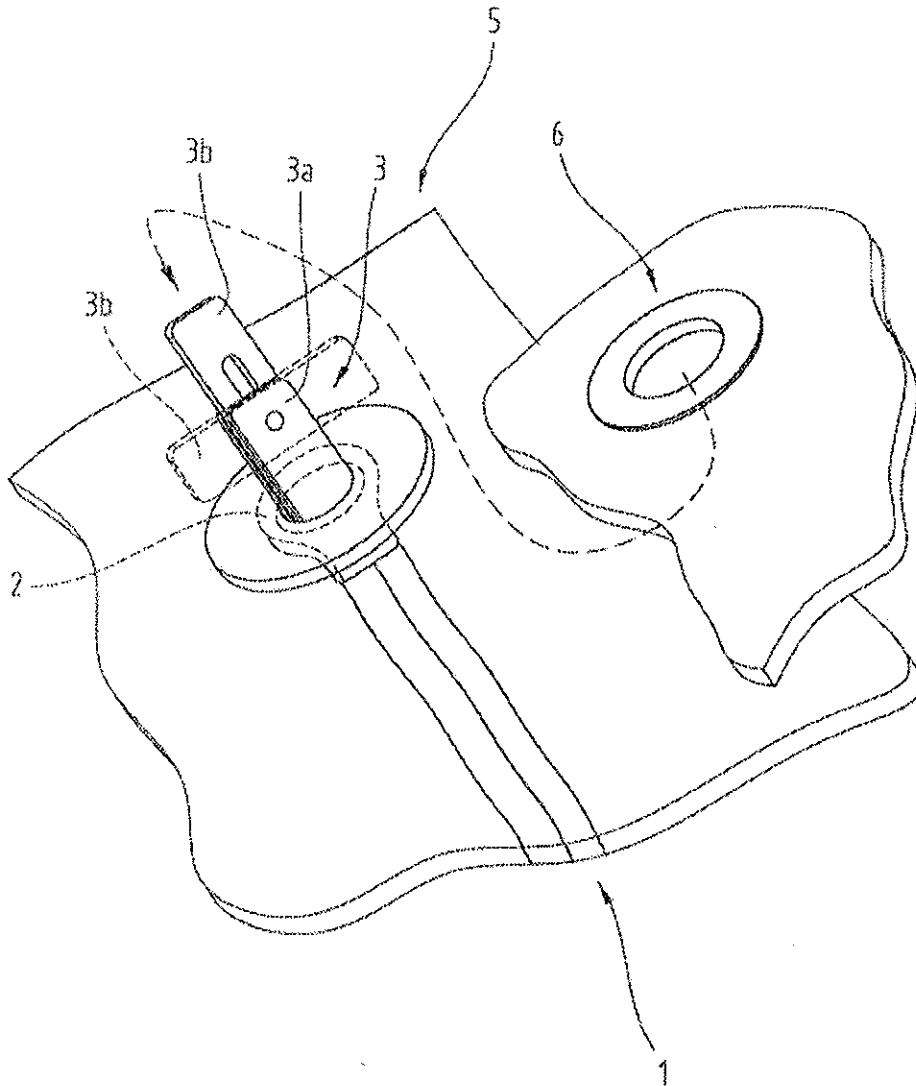


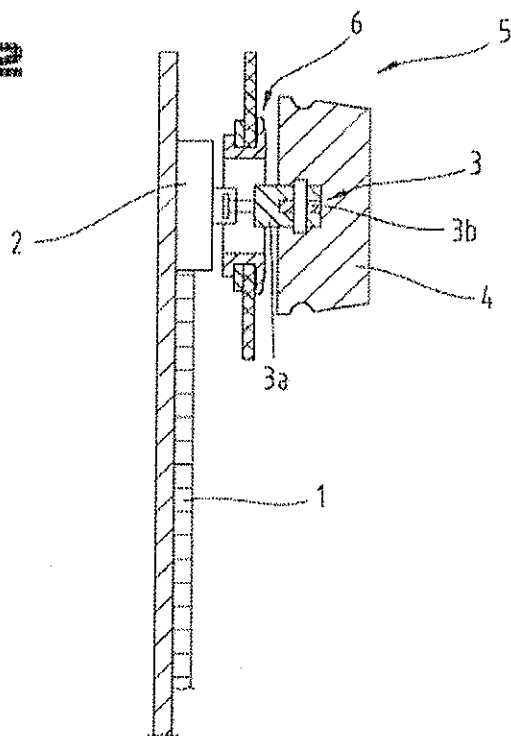
**Fig.1**



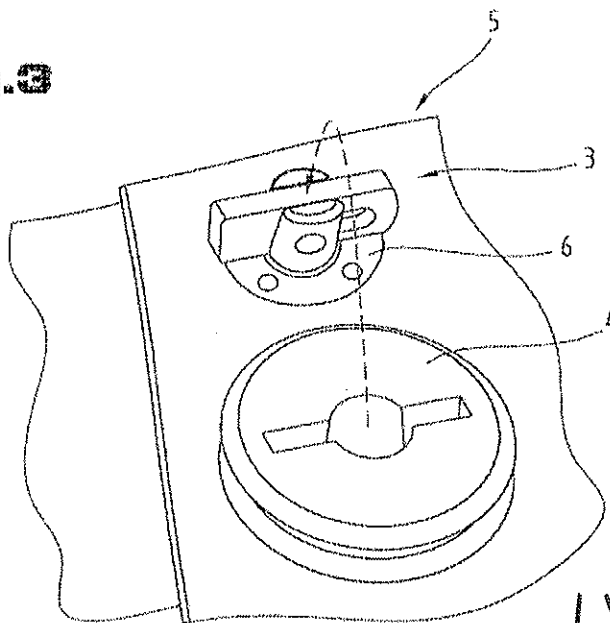
Date: 13.05.2015

*S. K. Bansal*  
**Sudarshan Kumar Bansal**  
Registered Patent Agent  
(IN/PA/353)

**Fig.2**



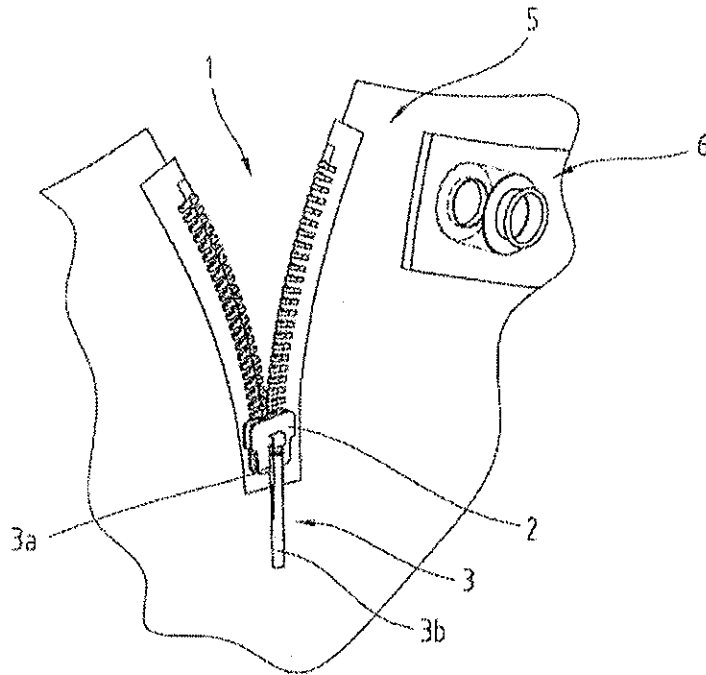
**Fig.3**



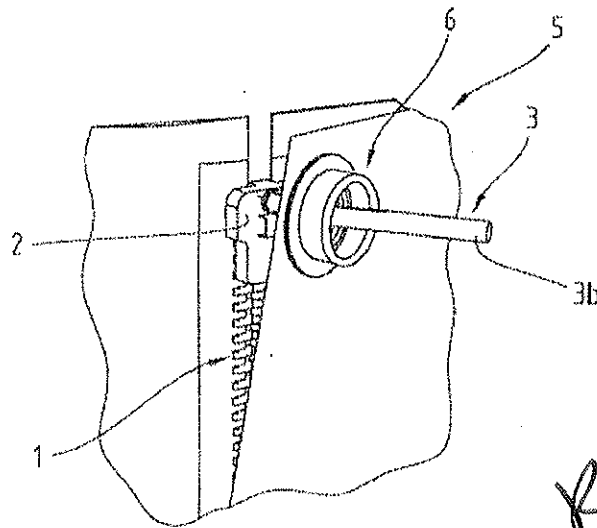
Date: 13.05.2015

*J.K.Bansal*  
Sudarshan Kumar Bansal  
Registered Patent Agent  
(IN/PA/353)

**Fig.4**



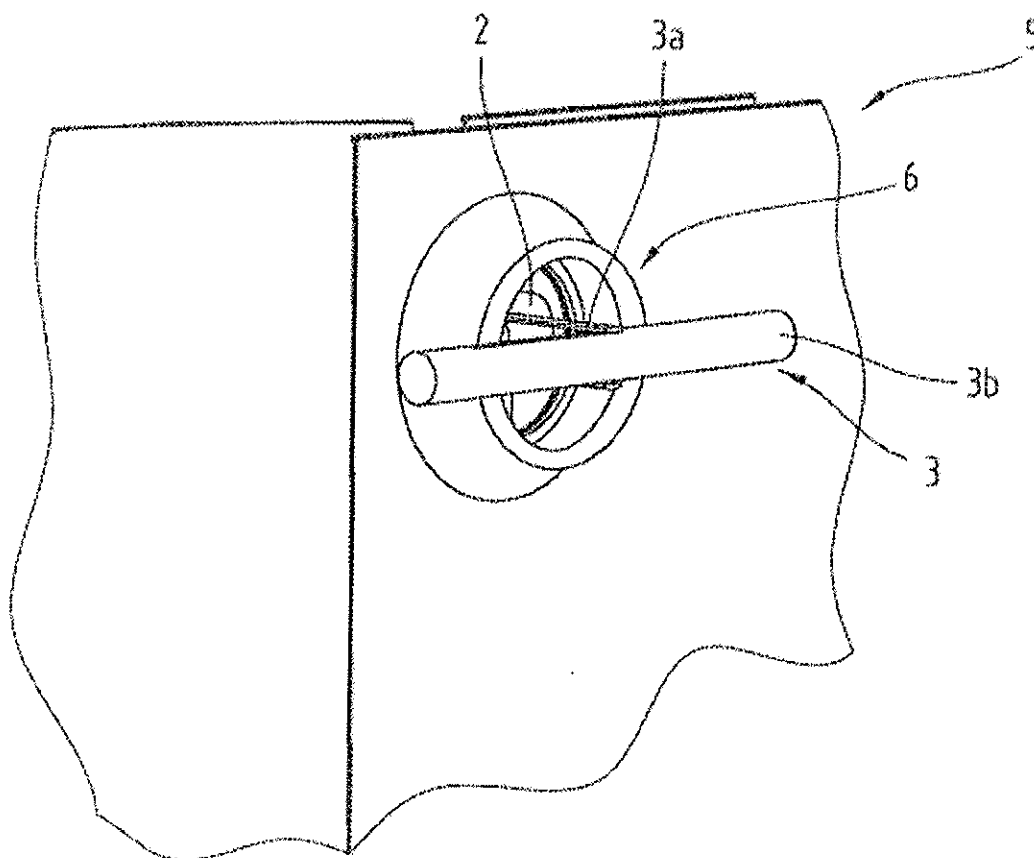
**Fig.5**



Date: 13.05.2015

*J.K. Bansal*  
**Sudarshan Kumar Bansal**  
Registered Patent Agent  
(IN/PA/353)

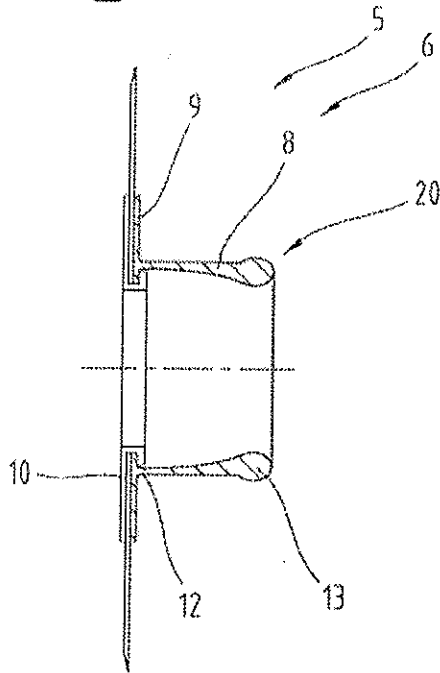
**Fig.6**



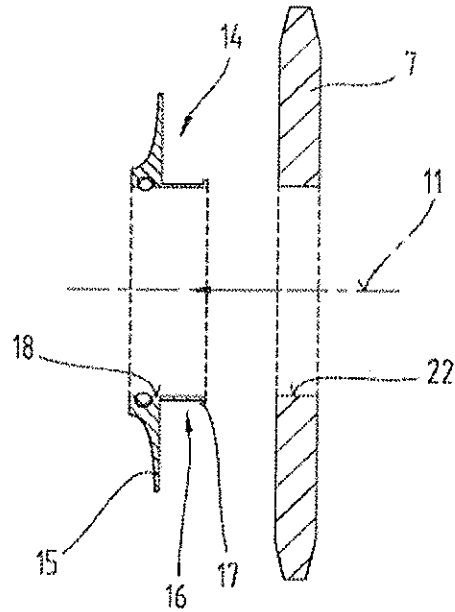
Date: 13.05.2015

*J.K. Bansal*  
Sudarshan Kumar Bansal  
Registered Patent Agent  
(IN/PA/353)

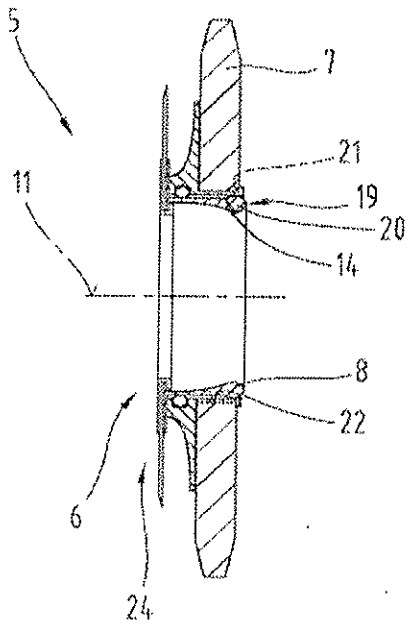
**Fig.7**



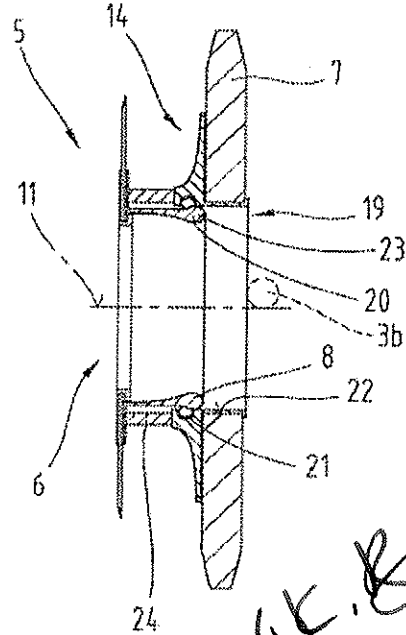
**Fig.8**



**Fig.9**



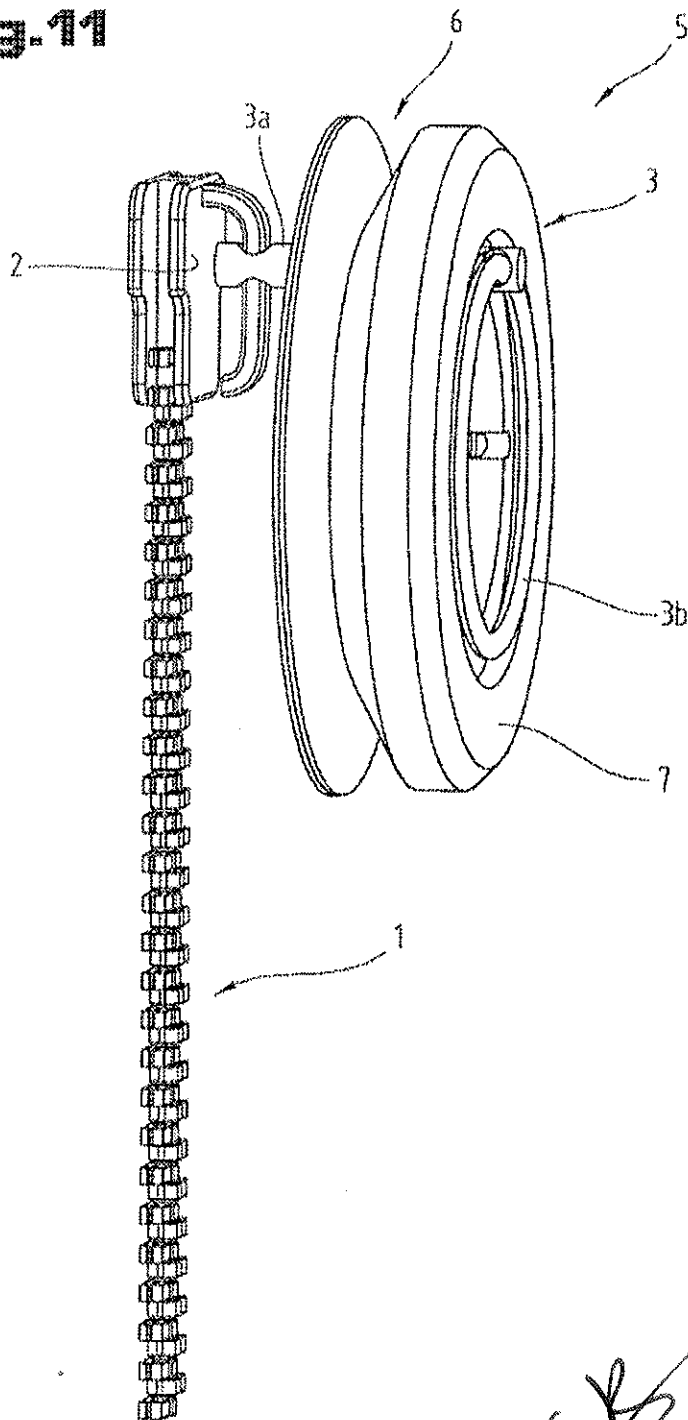
**Fig.10**



Date: 13.05.2015

*S.K. Bansal*  
**Sudarshan Kumar Bansal**  
Registered Patent Agent  
(IN/PA/353)

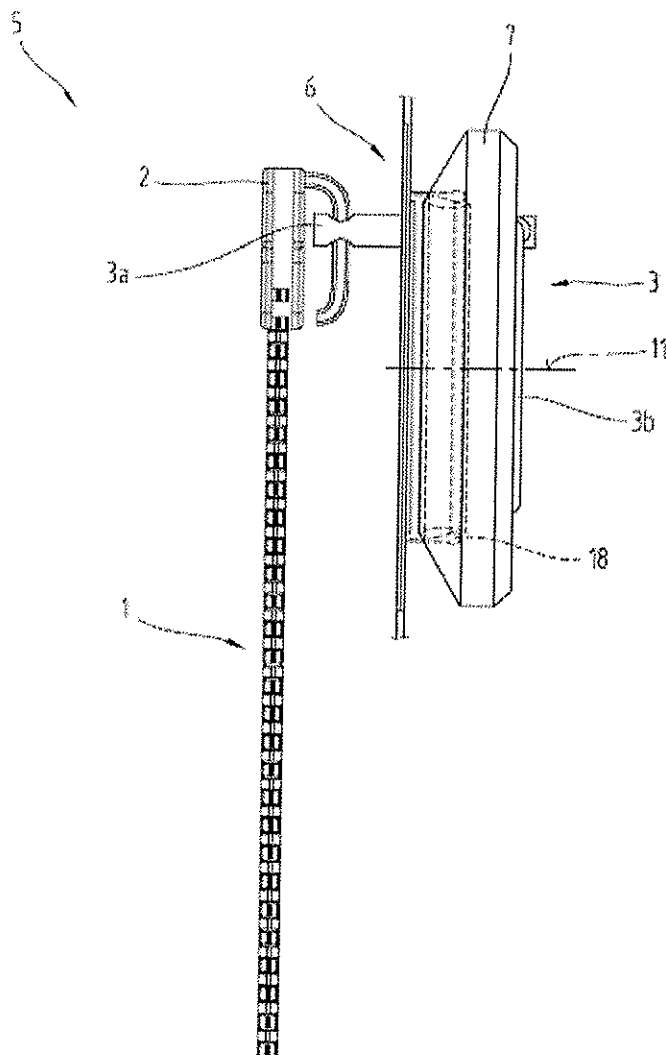
**Fig.11**



Date: 13.05.2015

*S.K. Bansal*  
**Sudarshan Kumar Bansal**  
Registered Patent Agent  
(IN/PA/353)

**Fig.12**



Date: 13.05.2015

*S.K. Bansal*  
**Sudarshan Kumar Bansal**  
Registered Patent Agent  
(IN/PA/353)