



US00D721024S

(12) **United States Design Patent**
Thole et al.

(10) **Patent No.:** **US D721,024 S**

(45) **Date of Patent:** **** Jan. 13, 2015**

- (54) **VEHICLE LIFTGATE**
- (71) Applicant: **GM Global Technology Operations LLC**, Detroit, MI (US)
- (72) Inventors: **Louis D. Thole**, Gross Pointe Park, MI (US); **Scott P. Wassell**, Leonard, MI (US)
- (73) Assignee: **GM Global Technology Operations LLC**, Detroit, MI (US)
- (**) Term: **14 Years**
- (21) Appl. No.: **29/466,978**
- (22) Filed: **Sep. 13, 2013**
- (51) **LOC (10) Cl.** **12-16**
- (52) **U.S. Cl.**
USPC **D12/196**
- (58) **Field of Classification Search**
USPC D12/196, 98, 164, 86, 90, 91, 92;
D21/424, 433; 296/181.5, 181.1, 76,
296/57.1, 26.11
See application file for complete search history.

D556,662 S *	12/2007	Murkett	D12/196
D556,663 S *	12/2007	Murkett	D12/196
D564,432 S *	3/2008	Pfeiffer	D12/196
D582,824 S *	12/2008	Kobayashi	D12/196
D600,173 S *	9/2009	Jung et al.	D12/164
D603,306 S *	11/2009	Jung et al.	D12/164
7,673,928 B2 *	3/2010	Walker et al.	296/146.11
7,832,791 B2 *	11/2010	Wojcik et al.	296/146.8
D634,686 S *	3/2011	Matei et al.	D12/196
D643,348 S *	8/2011	Burki et al.	D12/164
D650,312 S *	12/2011	Fetherston et al.	D12/164
D650,313 S *	12/2011	Fetherston et al.	D12/164
D663,665 S *	7/2012	Hakamata et al.	D12/196
D698,717 S *	2/2014	Kobayashi	D12/196
D710,283 S *	8/2014	O'Donnell et al.	D12/196
2003/0116990 A1 *	6/2003	Paiva et al.	296/56
2009/0058143 A1 *	3/2009	Manning et al.	296/199

* cited by examiner

Primary Examiner — Cathron Brooks
Assistant Examiner — Clese Moore, Jr.

(74) *Attorney, Agent, or Firm* — Mickki D. Murray; Parks Wood LLC

(57) **CLAIM**
The ornamental design for a vehicle liftgate, as shown and described.

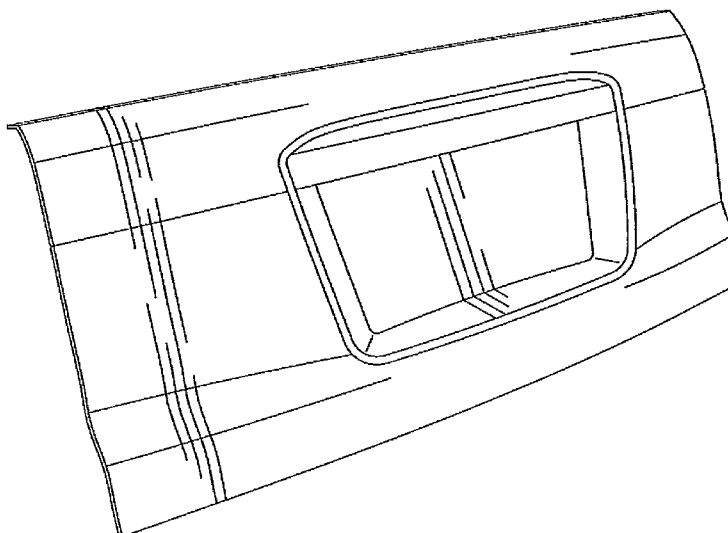
(56) **References Cited**
U.S. PATENT DOCUMENTS

D295,508 S *	5/1988	Wilsgaard	D12/196
D457,115 S *	5/2002	Mahoney et al.	D12/196
D457,844 S *	5/2002	Linson et al.	D12/196
6,860,537 B2 *	3/2005	Seksaria et al.	296/56
D515,489 S *	2/2006	Tokutake	D12/196
D520,928 S *	5/2006	Matei et al.	D12/196

DESCRIPTION

FIG. 1 is a perspective view of a vehicle liftgate showing the new design;
FIG. 2 is a top plan view, thereof;
FIG. 3 is a front view, thereof; and,
FIG. 4 is a side view, thereof.

1 Claim, 2 Drawing Sheets



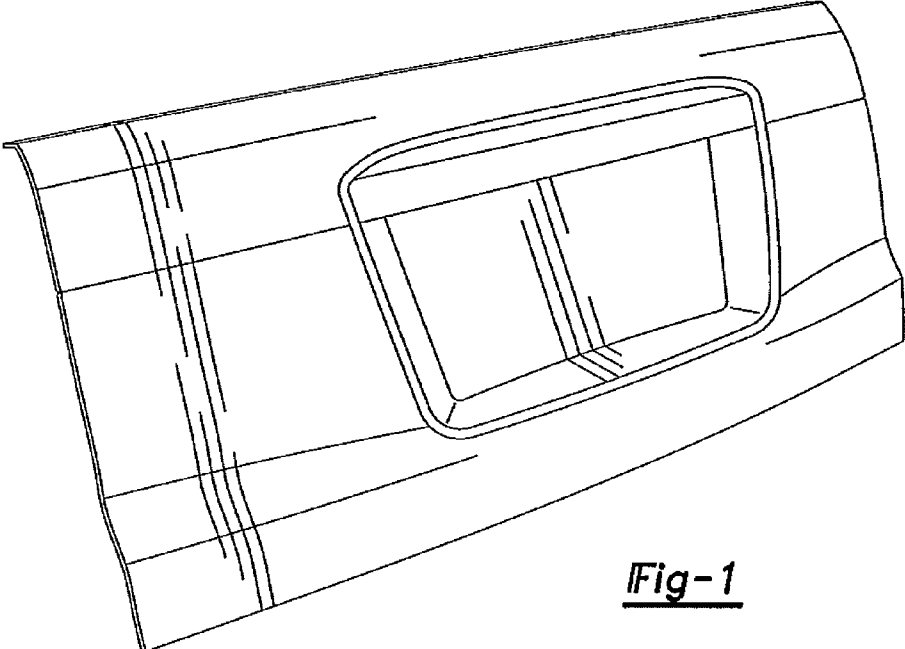


Fig-1

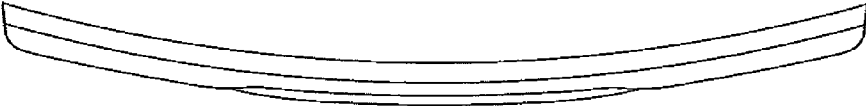


Fig-2

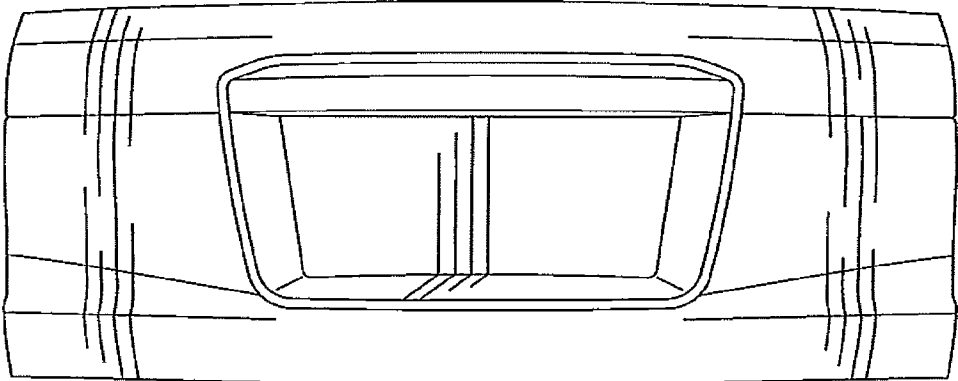


Fig-3

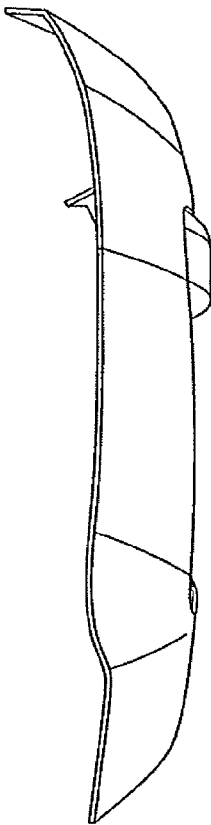


Fig-4