

[54] TYPEWRITER

[75] Inventors: **Gordon P. Bruce**, New Milford; **David C. Danielson**, Rowayton, both of Conn.; **Robert E. Griffith**, Lexington, Ky.; **Allen D. Hawthorne**, New Canaan, Conn.; **Jeffrey L. Quedenfeld**, Bridgeport, Conn.; **Paul F. Siegel**, Ridgefield, Conn.

[73] Assignee: **International Business Machines Corporation**, Armonk, N.Y.

[\*\*] Term: **14 Years**

[21] Appl. No.: **145,545**

[22] Filed: **May 1, 1980**

[51] Int. Cl. .... **D18-01**

[52] U.S. Cl. .... **D18/1**

[58] Field of Search ..... **D18/1, 2, 12;**  
400/689-690.1, 690.4, 691-693

[56] **References Cited**

**U.S. PATENT DOCUMENTS**

- D. 217,106 4/1970 Noyes ..... D18/1
- D. 222,707 12/1971 Yotsukura ..... D18/1
- 3,513,938 5/1970 Buehner et al. .... 400/690.1

**OTHER PUBLICATIONS**

*Office Products*, 10/1978, p. 198-Typewriter w/Sound Hood at top.

*Primary Examiner*—Louis S. Zarfaz  
*Attorney, Agent, or Firm*—Laurence R. Letson

[57] **CLAIM**

The ornamental design for a typewriter, as shown and described.

**DESCRIPTION**

FIG. 1 is a right front perspective view of a typewriter showing our new design; the keyboard being continuous over the span indicated by dot-dash lines for ease of illustration.

FIG. 2 is a left front perspective view thereof;

FIG. 3 is a left rear perspective view thereof;

FIG. 4 is a right rear perspective view thereof;

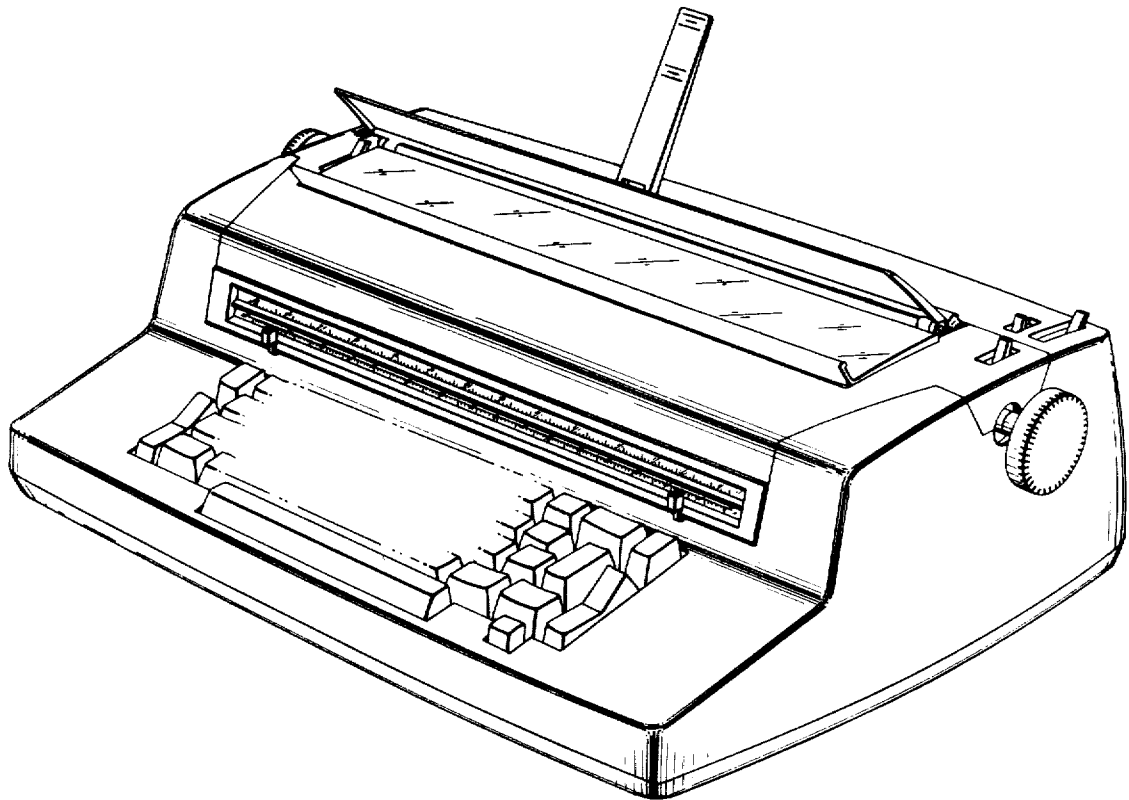
FIG. 5 is a bottom plan view thereof;

FIG. 6 is a front perspective view of a typewriter without the sound hood as shown in FIGS. 1-4, showing our new design;

FIG. 7 is a left front perspective view thereof;

FIG. 8 is a left rear perspective view thereof; and

FIG. 9 is the right rear perspective view thereof.



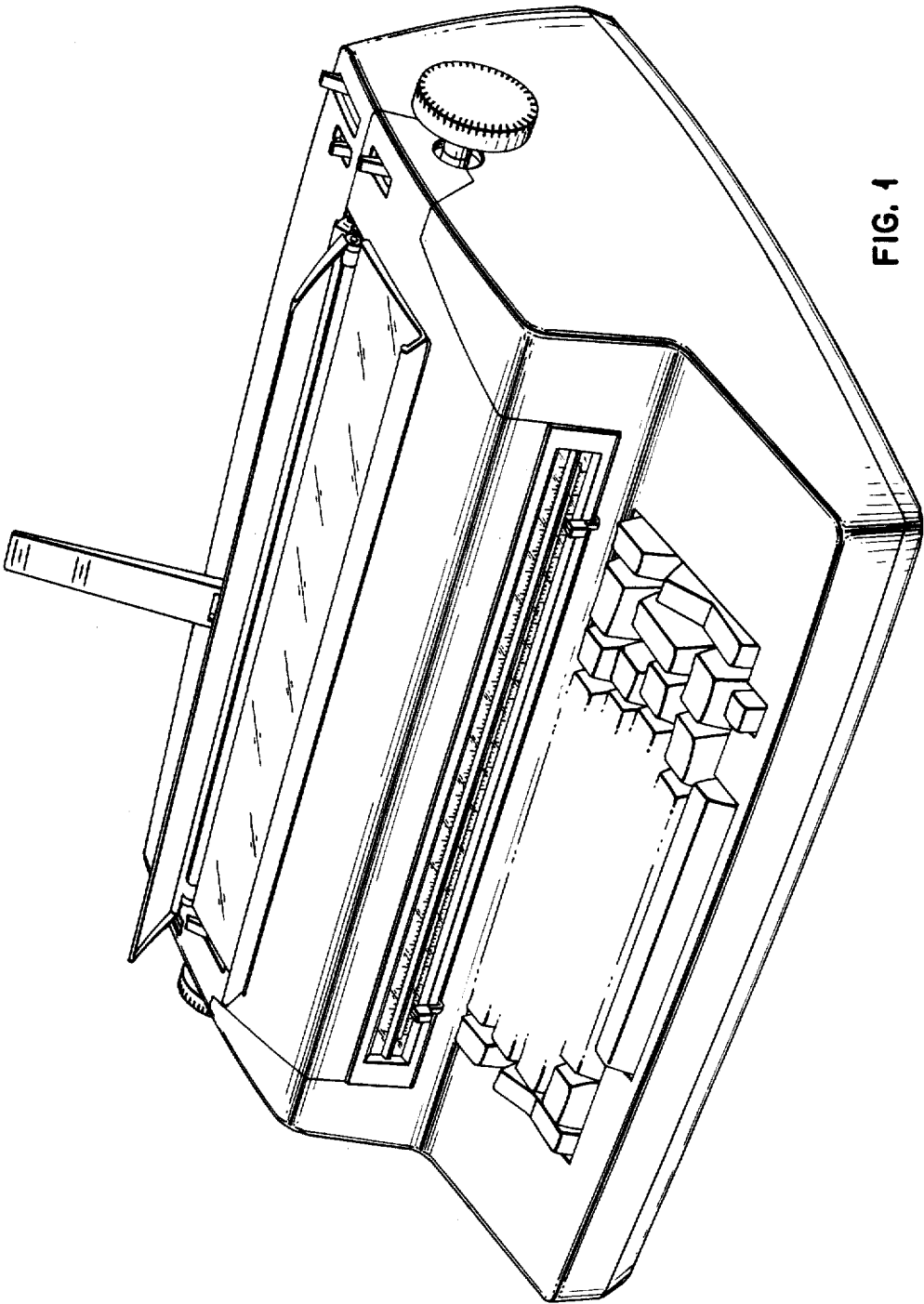


FIG. 1

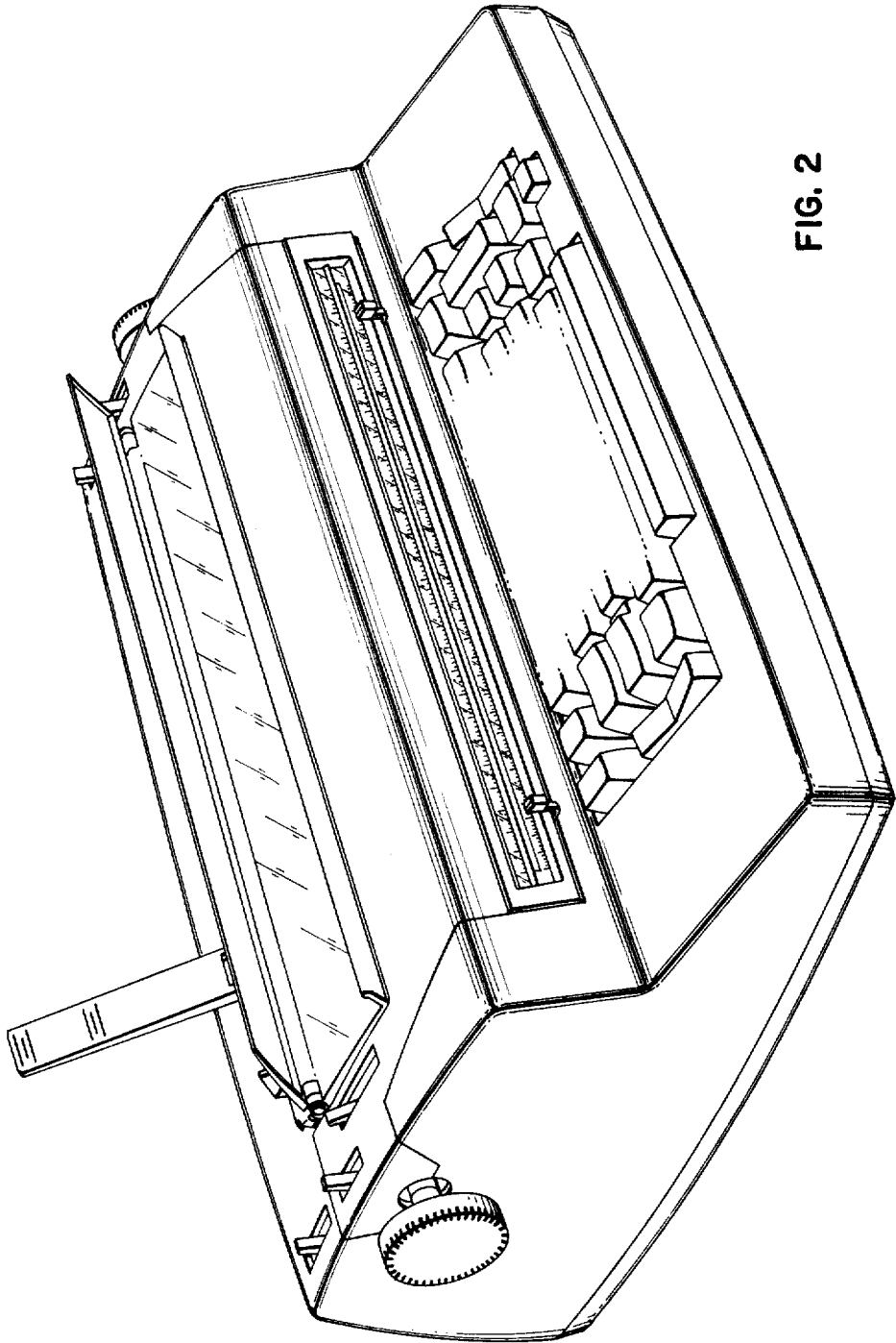


FIG. 2

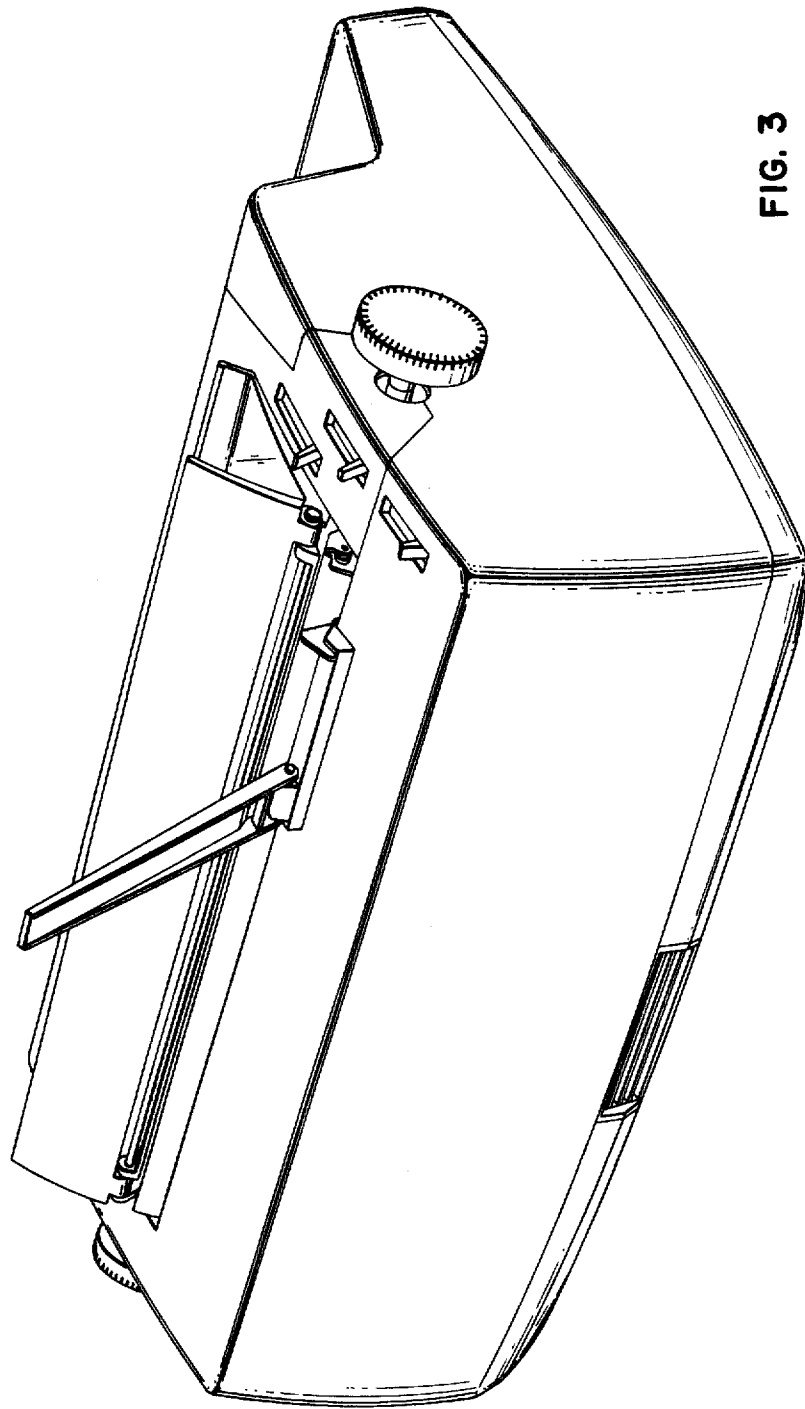


FIG. 3

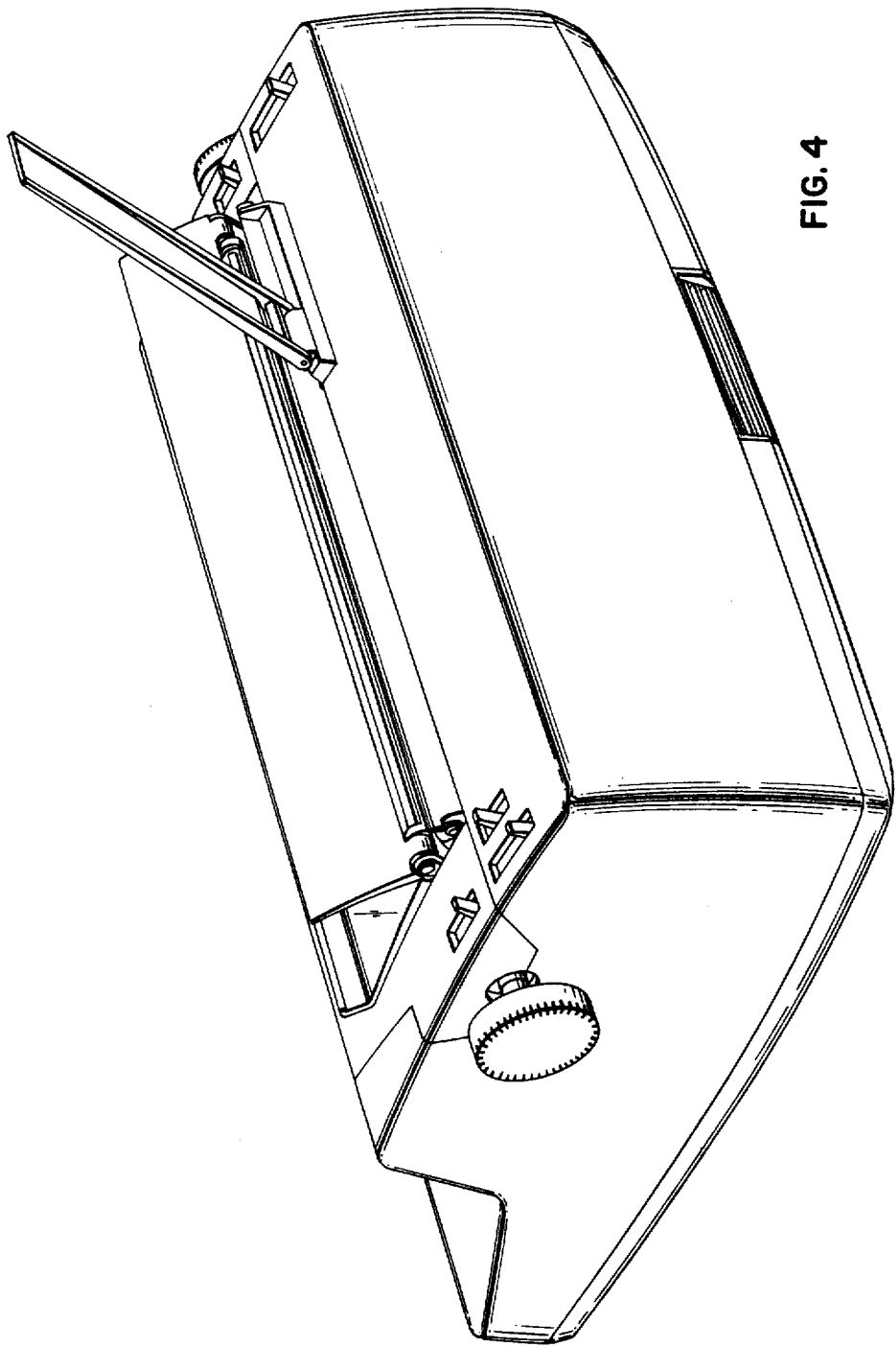


FIG. 4

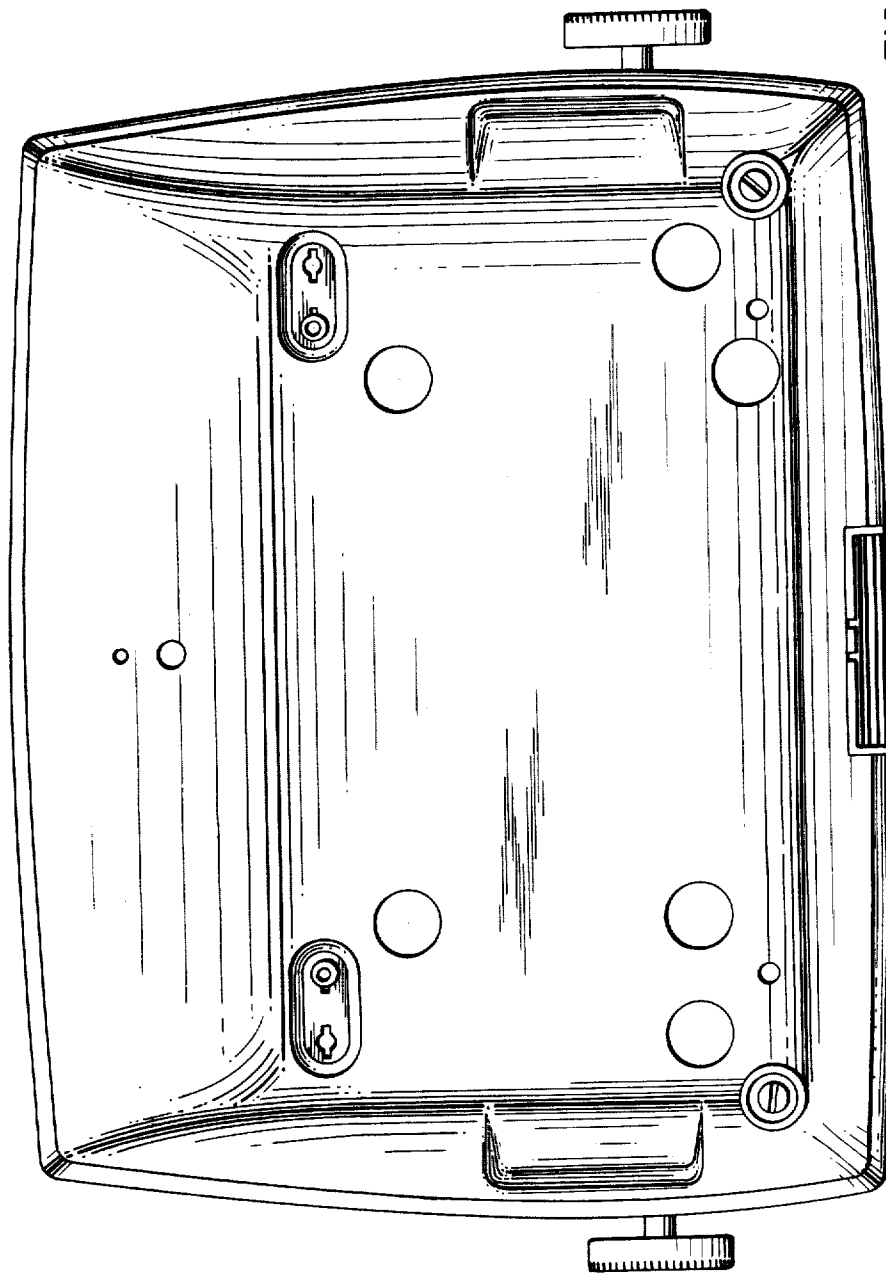


FIG. 5

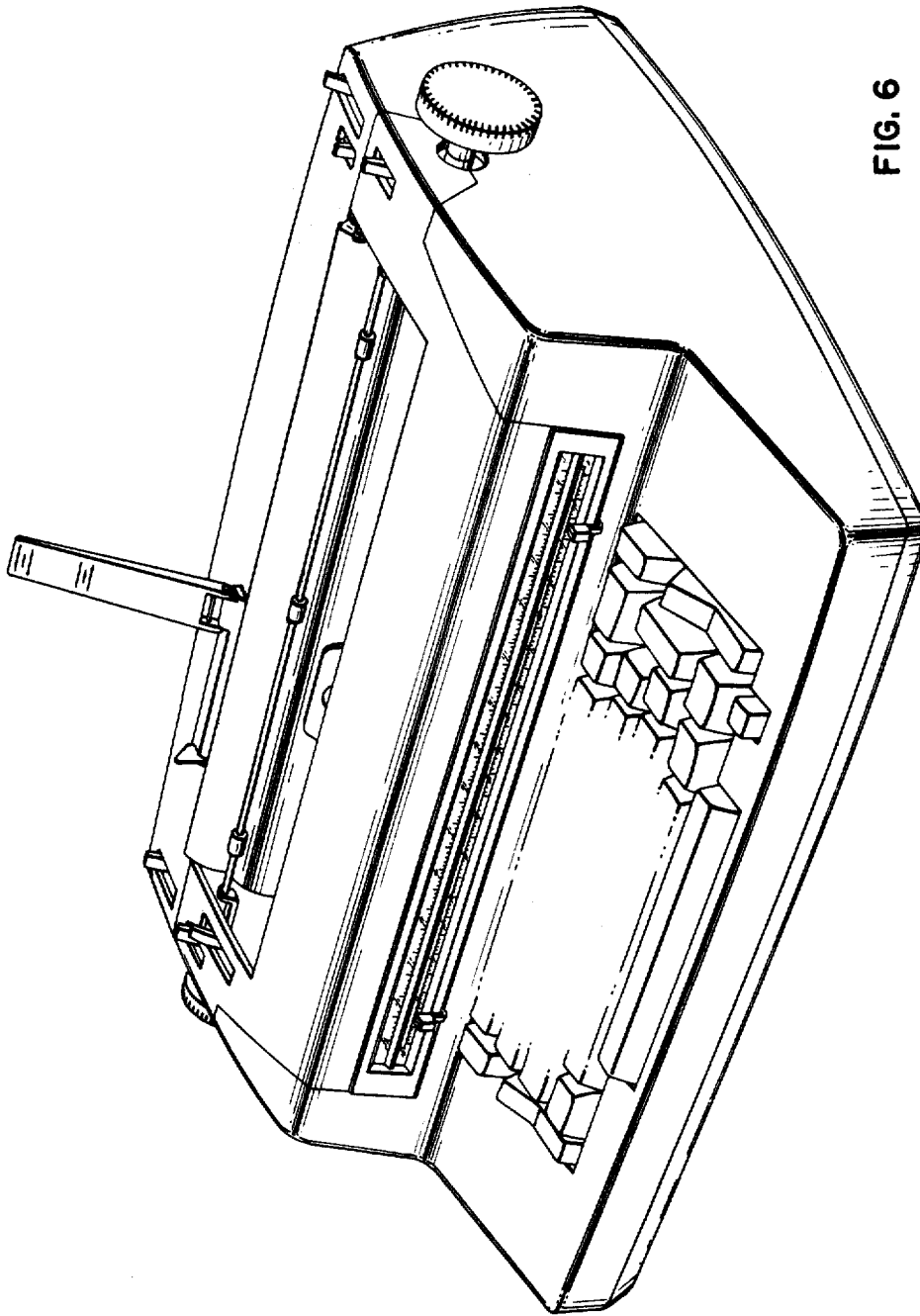


FIG. 6

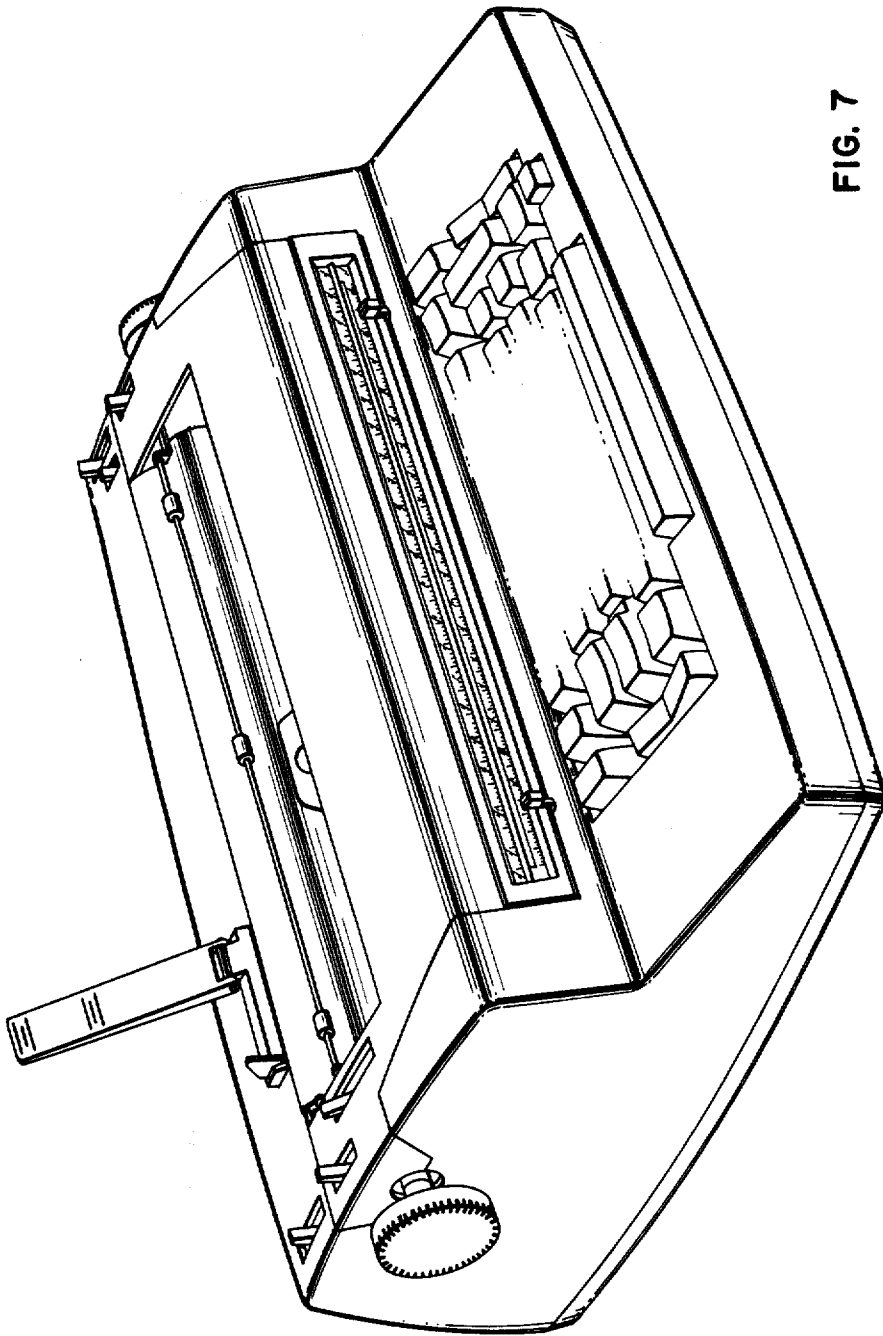


FIG. 7



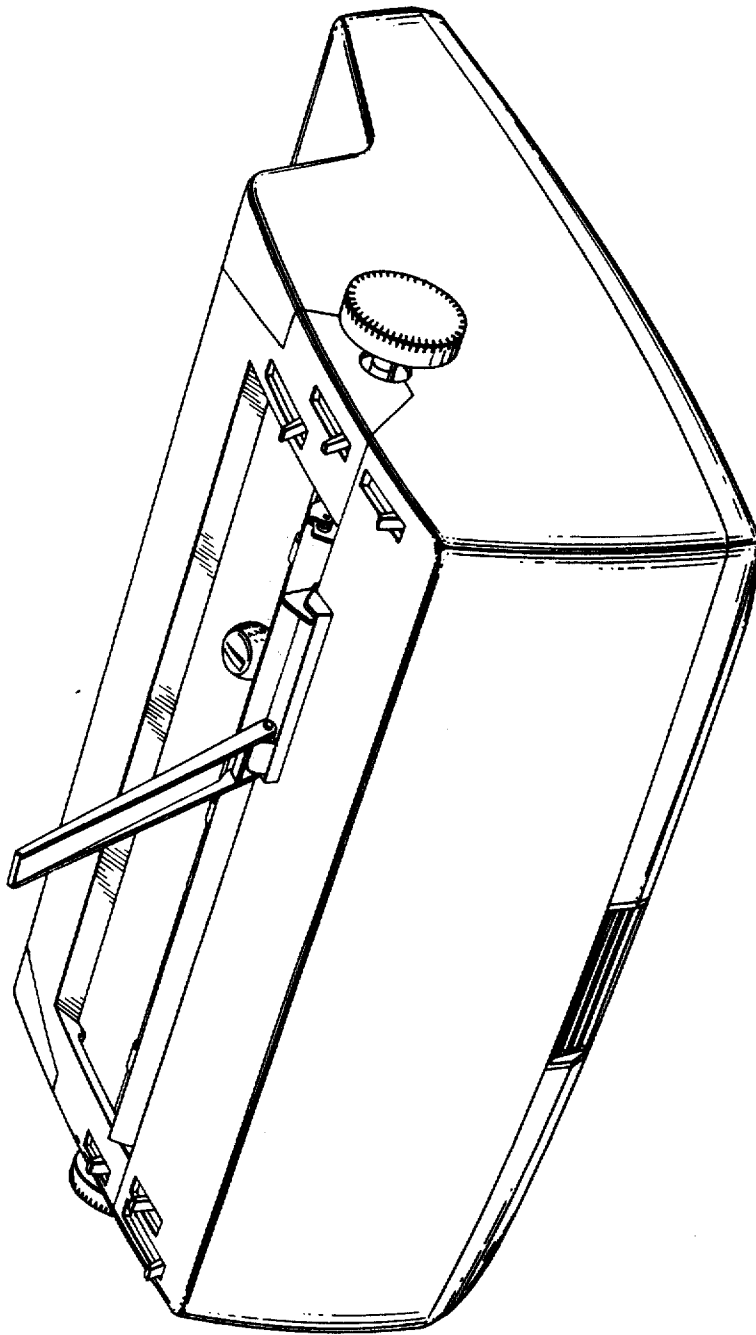


FIG. 8

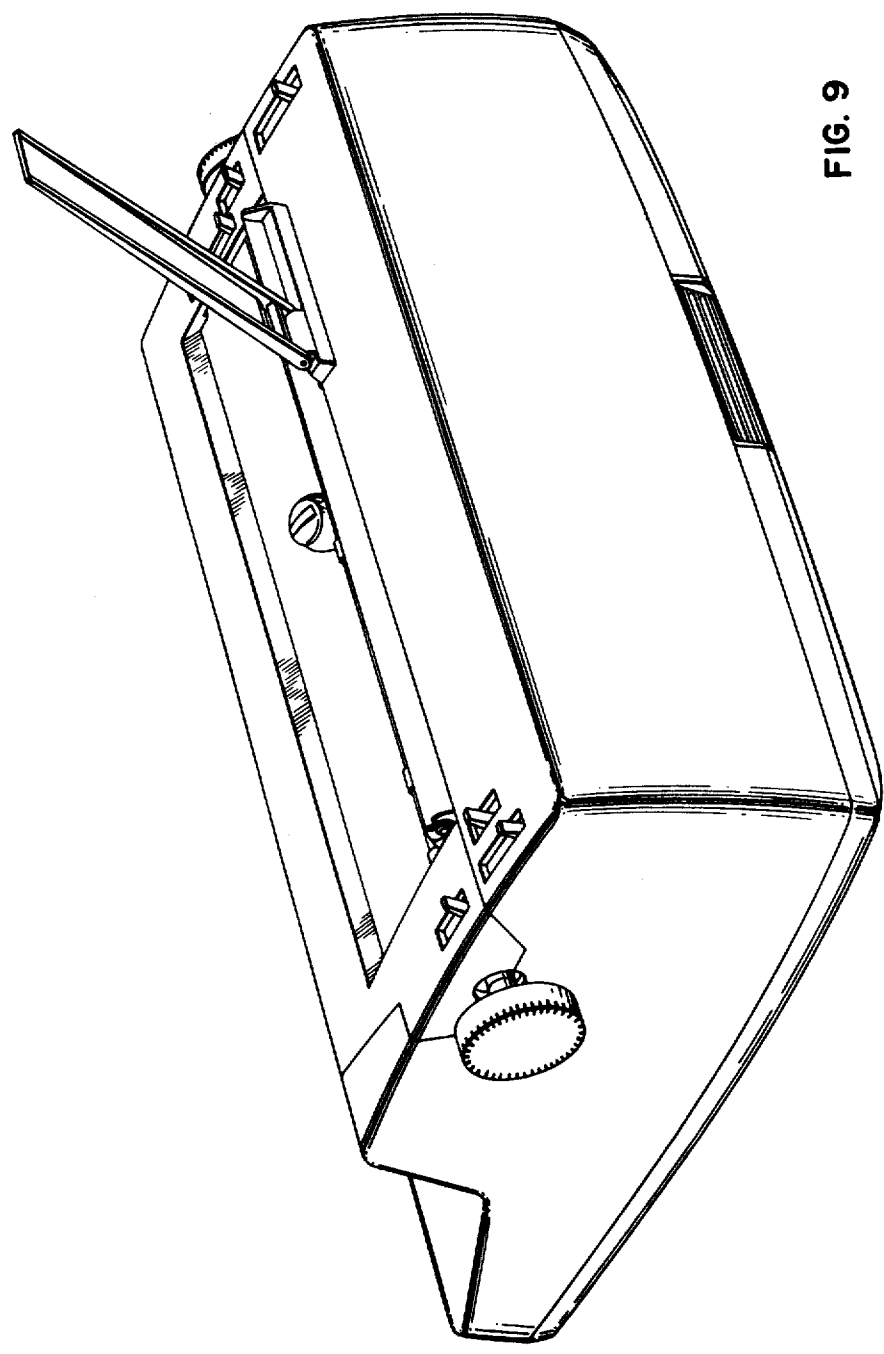


FIG. 9