

[54] Title: ROTATAELE TOOTHBRUSH

[75] Inventor (s): ROBERT M. LEE, of Binondo, Metro Manila

[73] Assignee (s): None

[22] Filed: October 12, 1987

[21] Application Serial No: 35918

FOREIGN APPLICATION PRIORITY DATA

[31] Number (s) : None

[32] Date (s) : None

[33] Country (ies) : None

[52] PH Class 15/187R

[51] Int. Class A68 13/08

[58] Field of Search Toothbrush

[56] Reference (s) Cited and/or Considered:

US Pat. 4,333,199 Del Rosario 8-8-82

[57]

ABSTRACT

A toothbrush with an elongated handle having reduced and downwardly bent ends, a circular plug formed integrally with each of said bent ends of the handle, said plug having an annular rib, a pair of brush heads; one of said brush heads having a concave bristle contour and the other being relatively shorter and having a convex bristle contour.

ROTATABLE TOOTHBRUSH

260 05

This invention relates to modifications/
improvements in the conventional toothbrush
construction.

5 At present, the most commonly available
toothbrushes in the market is structured with an
elongated handle having an integral brush head
with bristle connected on one end. However,
with sustained efforts to introduce modifications
in the said basic toothbrush structures, the pre-
10 sent invention now contemplates a toothbrush with
an elongated handle having circular plugs at the
opposed bent ends thereof, and a pair of brush
heads with bristle each having a circular socket
adapted to be detachably and variably associated
15 with any of said plugs in an snap-on engagement.

As heretofore known all toothbrushes
have fixed brush heads and therefore its use is
limited in direction. The present invention enables
the user to rotate the brush to any direction in any
20 of the 360 degree angle desired.

This is achieved by providing a circular
device on top of the headbrush which contains a
socket or grooving to facilitate the snap-on engage-
ment of the circular plug with the head of the brush.

25 The base of the circular device of the head

260 05

of the toothbrush is provided with sockets/groves
to fit into the corresponding grove provided at
the end of the circular plug. This device will
tighten the circular plug the moment it is inserted-
5 snap onto the circular device at the top of the head
brush and also at every angle the head brush is
desired to be turned.

Likewise another embodiment of the
invention provides a detachable head brush with
10 a snap-on engagement device to provide for an
elongated handle.

Another object of this invention is to
provide a toothbrush wherein the pair of brush
heads thereof, one has a concave bristle contour
15 and the other through relatively shorter has a con-
vex bristle contour.

Still another object of this invention is to
provide a toothbrush wherein the attachment bet-
ween the handle and the brush heads is facilitated
20 through a plug and socket snap-on engagement.

A further object of this invention is to
provide a toothbrush that is simple in structure,
very convenient to use and appreciably reliable.

The other objects aims, features and
25 advantages of this invention will become apparent

260 05

having a reduced and downwardly bent member 6 at the opposed ends thereof. Integrally formed with each of said bent ends 6 is a circular plug 7 of suitable thickness having an annular rib 8, which is provided with a circular device with sockets to fit into the grooves provided on the circular head of the head brush to facilitate the locking mechanism for the head brush to rotate to any direction.

At the end side of plugs 7 are provided small circular sockets heads which fit into the concave cavities at the base of the circular socket 12 of the raised medial portion 11. Thus the ends of plugs 7 fit tightly onto the base of the toothbrush heads 3 and 4 in every angle or direction the toothbrush heads are desired or interested to be used.

Detachably connected with each of the plugs 7 of said handle 2 is the pair of brush heads 3 and 4, said brush head 3 having a concave bristle contour or outline 9 and said brush head 4 being relatively shorter and having a convex bristle contour.

Integrally formed on each of said brush heads 3 and 4 and adapted to be associated with any of said circular plugs 7 of the handle 2 is a raised medial portion 11 having a circular socket 12.

26005

Formed on said socket 12 is an annular groove
13 dimensioned to tightly receive the annular
rib 8 of said plug 7. The toothbrush heads
and toothbrush handles are adequately locked
5 together totally preventing the toothbrush heads
from moving or slipping off from its hold on the
brush heads holder while the toothbrush is being
used.

In the above-mentioned structure, it may
10 be noted from Fig. 3, that the brush heads 3 and
4 is being connected to the handle 2 through a
snap-on engagement of the brush head sockets
12 with the respective plugs 7, said engagement
allowing variable and tight angular disposition of
15 the brush heads relative to the handle.

As specially shown in figures 2 and 3, the
toothbrush having separate detachable ends with a
common handle was purposely adapted to make the
toothbrush easy to handle, occupies less space
20 when stored and can be easily manufactured.

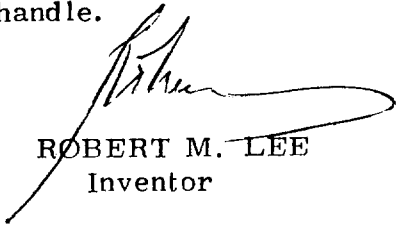
260 05

WHAT IS CLAIMED IS:

1. A toothbrush with an elongated handle
having reduced and downwardly bent ends, a cir-
cular plug formed integrally with each of said
5 bent ends of the handle, said plug having an
annular rib, a pair of brush heads, one of said
brush heads having a concave bristle contour
and the other being relatively shorter and having
a convex bristle contour;

10 2. A circular socket formed on each of
said brush heads in association with any of said
circular plugs, said socket having an annular
groove dimensioned to tightly receive the annular
rib of the plug.

15 3. Concave sockets at the ends of the
circular plugs which fit into the circular cavities
provided at the base of the annular groove; said
brush heads being connected to the handle thru
a snap-on engagement of the brush head sockets
20 with the respective plugs, said engagement allowing
variable and tight angular disposition of the brush
heads relative to the handle.


ROBERT M. LEE
Inventor

5

10

15

20

25

260 05

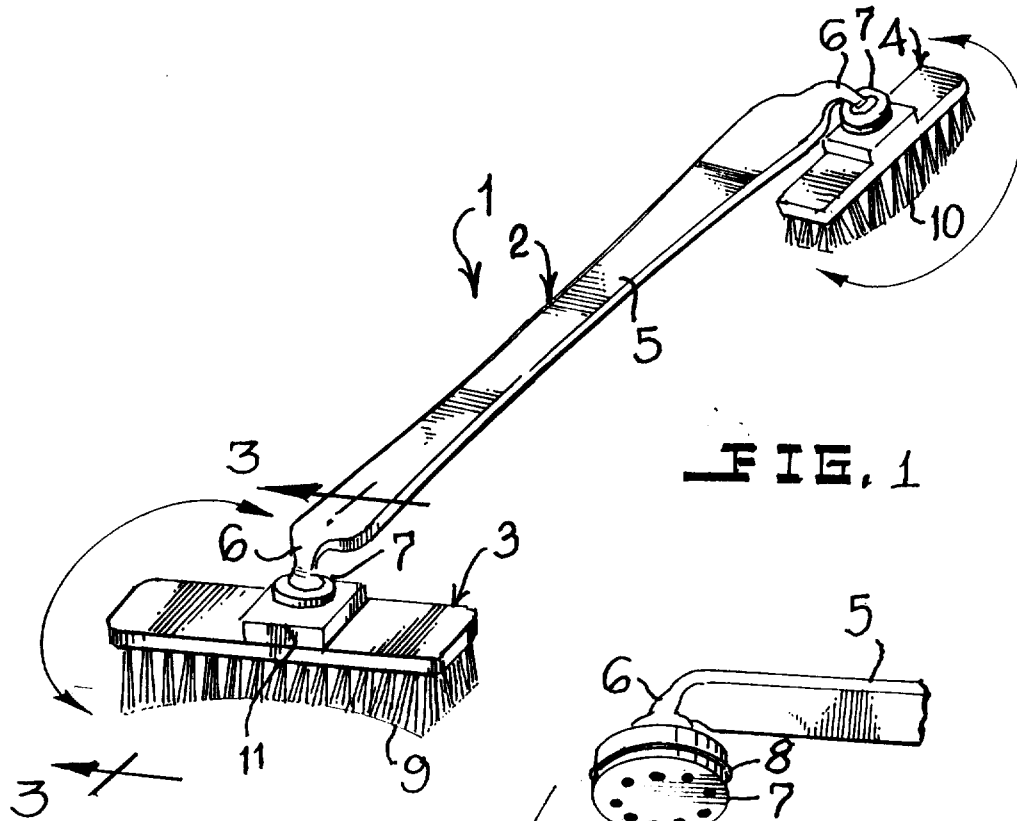


FIG. 1

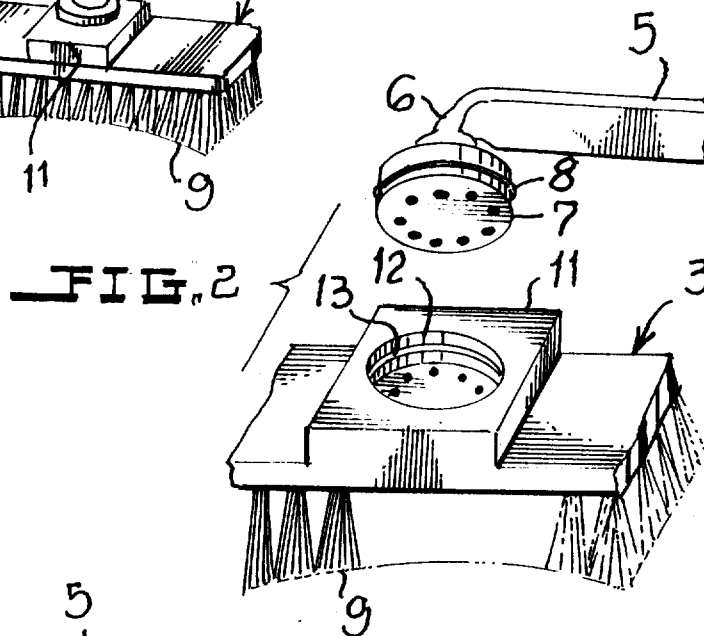


FIG. 2

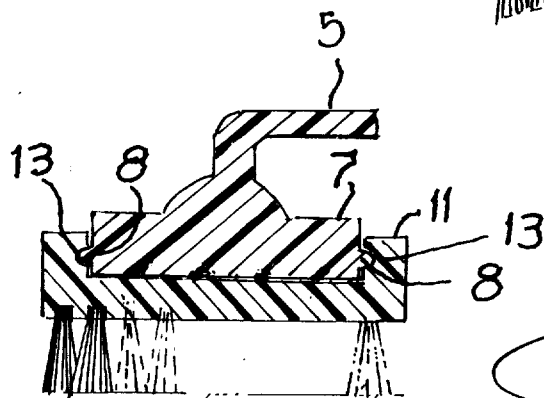


FIG. 3

ROBERT M. LEE
Inventor

By

Attorney

Sam Harant