



US00D722987S

(12) **United States Design Patent**  
**Kim et al.**

(10) **Patent No.:** **US D722,987 S**

(45) **Date of Patent:** **\*\* Feb. 24, 2015**

(54) **TV RECEIVER**

(75) Inventors: **Hee Bong Kim**, Seoul (KR); **Euiseok Kim**, Kyungki-do (KR)

(73) Assignee: **Samsung Electronics Co., Ltd.**, Suwon-Si (KR)

(\*\*) Term: **14 Years**

(21) Appl. No.: **29/424,996**

(22) Filed: **Jun. 19, 2012**

(51) **LOC (10) Cl.** ..... **14-03**

(52) **U.S. Cl.** ..... **D14/126**  
USPC

(58) **Field of Classification Search**  
USPC ..... D14/126, 127, 128, 129, 239, 371, 136,  
D14/341; 312/7.2; 348/836, 838, 180, 184,  
348/325, 739; 341/12; 248/917-924, 465;  
345/104, 133, 156, 168, 87, 173;  
720/605, 600, 655; 455/347;  
273/148 B; 229/926, 904, 74, 8.5;  
D20/11, 17, 27, 39, 40

See application file for complete search history.

(56) **References Cited**

U.S. PATENT DOCUMENTS

D545,820	S	*	7/2007	Won et al.	.....	D14/375
D556,757	S	*	12/2007	Kim et al.	.....	D14/375
D558,201	S	*	12/2007	Park et al.	.....	D14/375
D598,016	S	*	8/2009	Han et al.	.....	D14/341
D636,770	S	*	4/2011	Li	.....	D14/341
D645,043	S	*	9/2011	Miller et al.	.....	D14/375

D656,471	S	*	3/2012	Han et al.	.....	D14/126
D659,662	S	*	5/2012	Lv et al.	.....	D14/126
D664,954	S	*	8/2012	Kim et al.	.....	D14/341
D667,396	S	*	9/2012	Koh	.....	D14/341
D668,650	S	*	10/2012	Han	.....	D14/341
D673,561	S	*	1/2013	Hyun et al.	.....	D14/341
D682,271	S	*	5/2013	Kim et al.	.....	D14/374

\* cited by examiner

*Primary Examiner* — Robert M Spear

*Assistant Examiner* — Eliza Bennett-Hattan

(74) *Attorney, Agent, or Firm* — Ladas & Parry LLP

(57) **CLAIM**

We claim the ornamental design for a TV receiver, as shown and described.

**DESCRIPTION**

FIG. 1 is a front/right-side/top perspective view of a TV receiver showing our new design;  
FIG. 2 is a front-side elevational view thereof;  
FIG. 3 is a rear-side elevational view thereof;  
FIG. 4 is a left-side elevational view thereof;  
FIG. 5 is a right-side elevational view thereof;  
FIG. 6 is a top-side elevational view thereof;  
FIG. 7 is a bottom-side elevational view thereof;  
FIG. 8 is an enlarged partial view of a left side cross section of the TV receiver of FIG. 1; and,  
FIG. 9 is an enlarged detail view of the top right portion of FIG. 1.

The broken lines in the drawing depict environmental subject matter only and form no part of the claimed design.

**1 Claim, 8 Drawing Sheets**

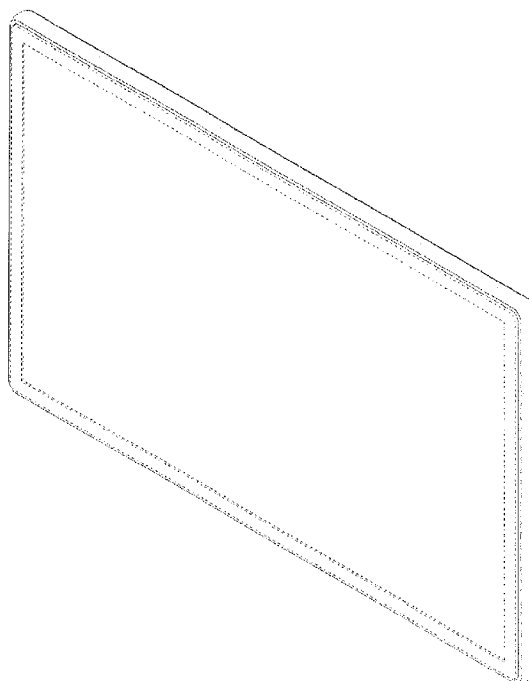
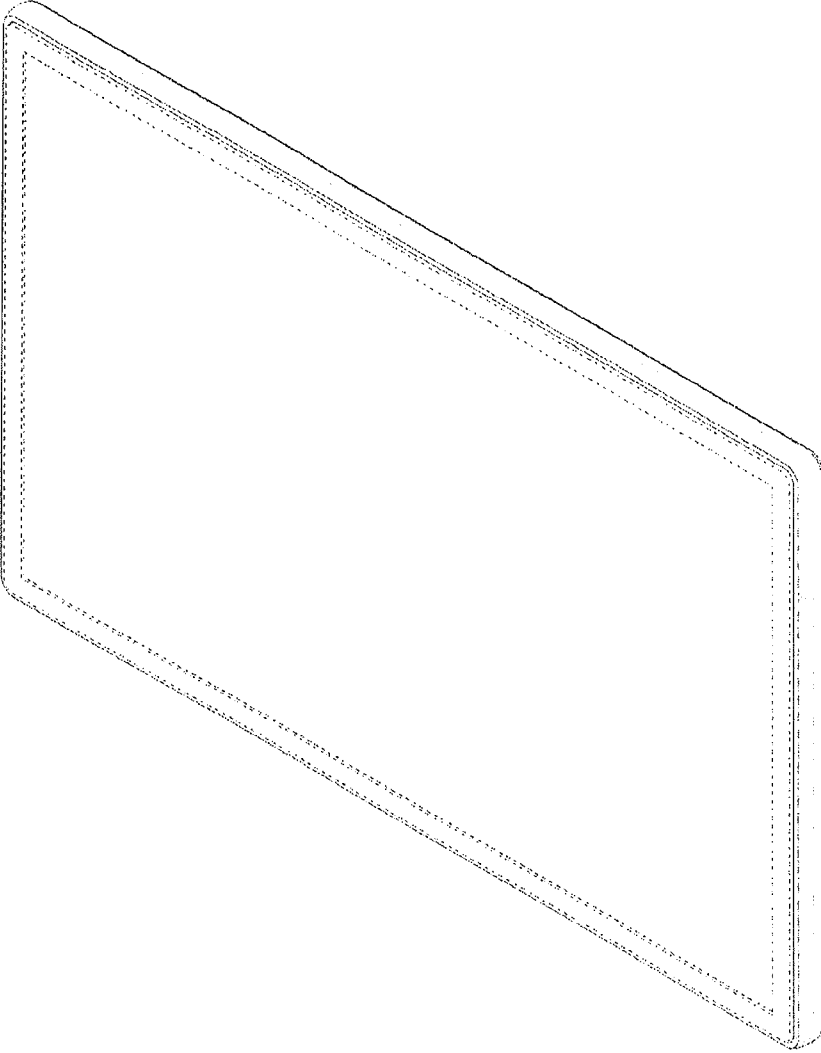


Fig. 1



**Fig. 2**

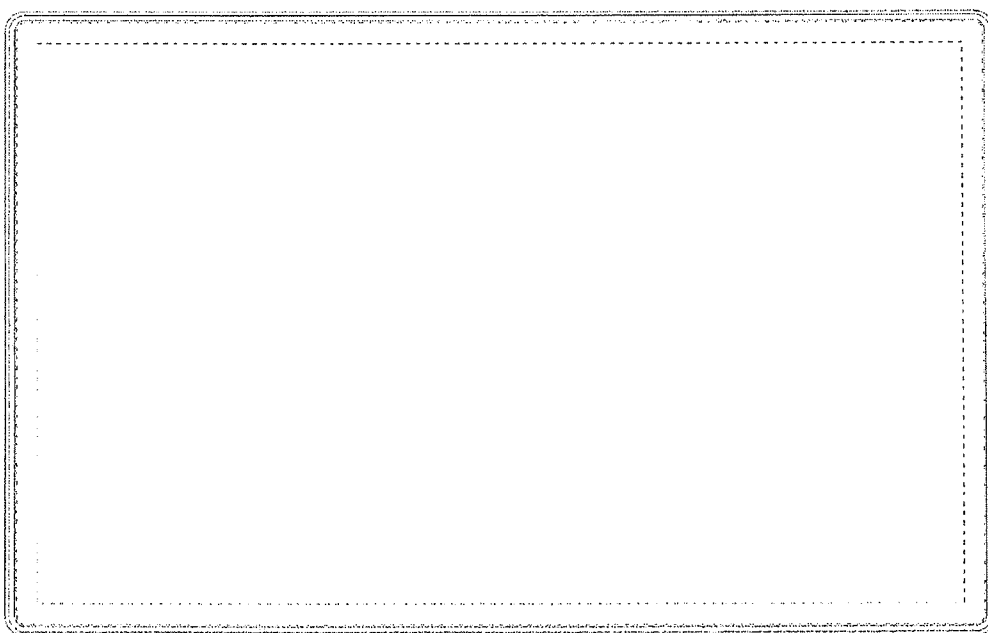
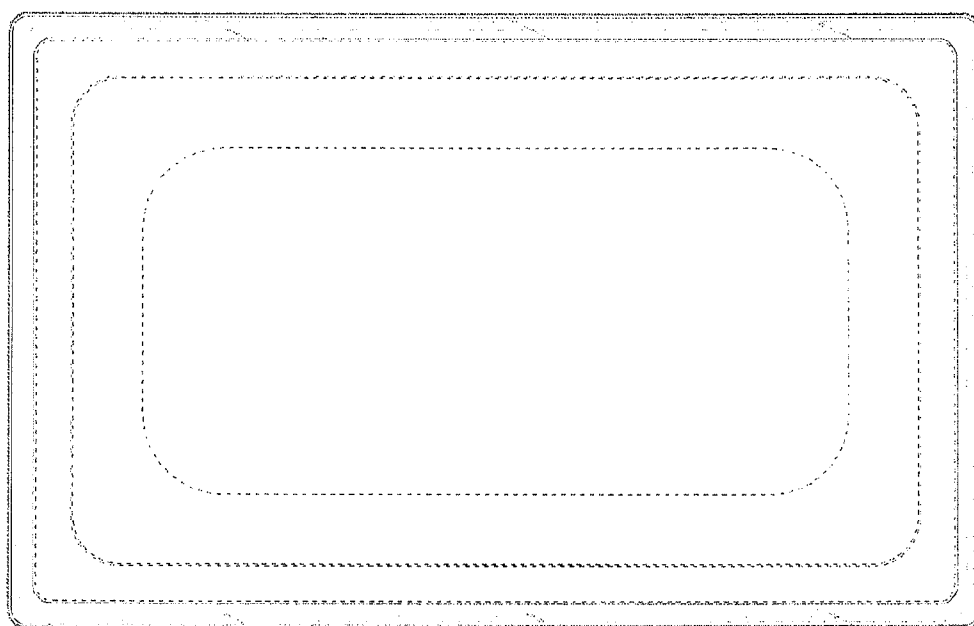
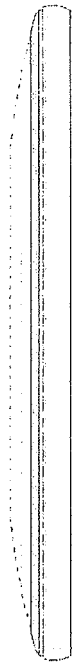


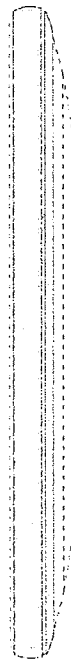
Fig. 3

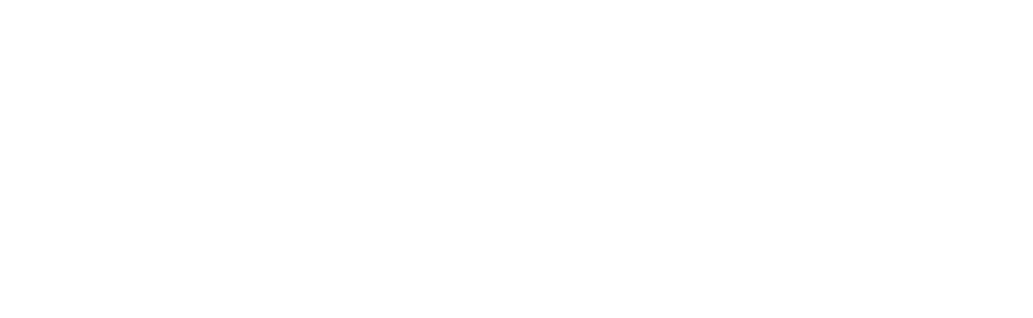


**Fig. 4**

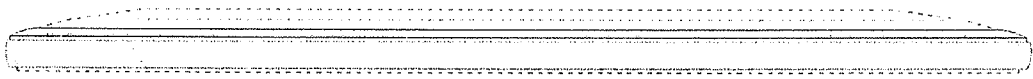


**Fig. 5**





**Fig. 6**



**Fig. 7**

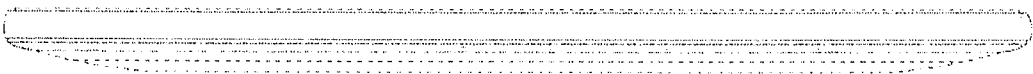
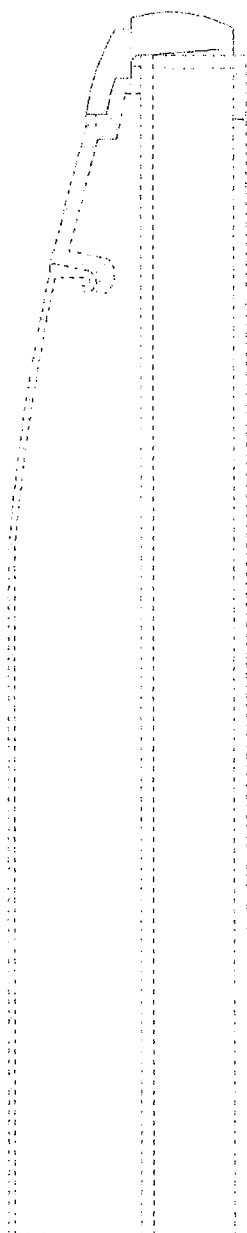


Fig. 8



**Fig. 9**

