



US00D723751S

(12) **United States Design Patent**
Palmer

(10) **Patent No.:** **US D723,751 S**

(45) **Date of Patent:** **** Mar. 3, 2015**

(54) **PET BOWL**

(71) Applicant: **Robert Dinsmore Palmer**, Arcadia, CA
(US)

(72) Inventor: **Robert Dinsmore Palmer**, Arcadia, CA
(US)

(**) Term: **14 Years**

(21) Appl. No.: **29/480,390**

(22) Filed: **Jan. 24, 2014**

(51) **LOC (10) Cl.** **30-03**

(52) **U.S. Cl.**
USPC **D30/130**

(58) **Field of Classification Search**
USPC D30/121, 122, 129-133; 119/61.5,
119/51.01, 61.56, 51.03, 59, 62, 63, 51.5,
119/57.8, 74, 61.54, 61.55; 312/204;
248/151, 188; 108/156, 153.1-157;
220/23.87, 630, 737, 743, 9.4, 495.01,
220/574, 212, 255, 23.83; 206/515;
D7/586, 543, 550.1, 587, 505, 584,
D7/545, 500, 553.1-553.8, 546, 555, 556,
D7/504, 565, 562, 602; D9/429; 43/109;
D22/122; 99/430, DIG. 15

See application file for complete search history.

(56) **References Cited**

U.S. PATENT DOCUMENTS

D64,456	S	*	4/1924	Karpeles	D3/294
D105,450	S	*	7/1937	Clifton	D30/130
2,191,811	A	*	2/1940	Trampier, Sr.	119/51.5
2,542,400	A	*	2/1951	Donofrio	248/362
2,554,086	A	*	5/1951	Block	119/51.5
2,623,369	A	*	12/1952	Haydu	248/362
2,677,350	A	*	5/1954	Prestidge et al.	119/61.53
3,176,656	A	*	4/1965	Bates	119/62
3,232,274	A	*	2/1966	Chatfield et al.	119/51.12
3,308,835	A	*	3/1967	Silverberg et al.	220/263
3,391,847	A	*	7/1968	Christine et al.	229/123.1
3,441,003	A	*	4/1969	Lister et al.	119/61.53
3,532,075	A	*	10/1970	Cooper	119/51.12

3,631,840	A	*	1/1972	McCormack	119/51.12
3,785,348	A	*	1/1974	Polidori et al.	119/62
3,810,446	A	*	5/1974	Kightlinger et al.	119/61.55
3,935,837	A	*	2/1976	Mulhern	119/51.12
D259,669	S	*	6/1981	Peterson	D30/130
4,473,031	A	*	9/1984	Bobeczko	119/51.12
D286,333	S	*	10/1986	Fassauer	D30/130
D287,404	S	*	12/1986	Johansson et al.	D24/121
D294,531	S	*	3/1988	Neunzig	D30/130
4,798,173	A	*	1/1989	Wilgren	119/61.52
4,908,066	A	*	3/1990	Taylor et al.	108/26
4,953,506	A	*	9/1990	Sanders	119/61.53
D313,489	S	*	1/1991	Conner	D30/130
5,009,310	A	*	4/1991	Finney	206/229
D323,411	S	*	1/1992	Oathout	D30/130
5,105,768	A	*	4/1992	Johnson	119/61.56
D326,742	S	*	6/1992	Tart	D30/130

(Continued)

Primary Examiner — Susan Moon Lee

(74) Attorney, Agent, or Firm — QuickPatents; Kevin Prince

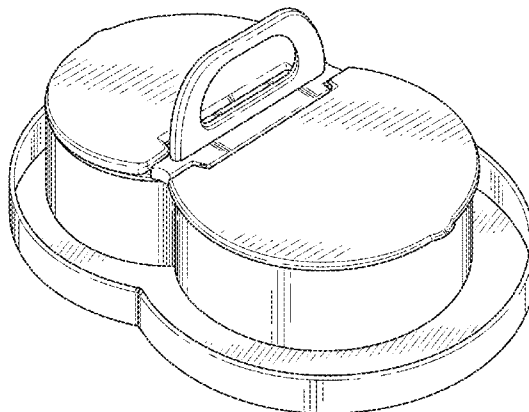
(57) **CLAIM**

I claim the ornamental design for a pet bowl, as shown and described.

DESCRIPTION

FIG. 1 is a perspective view of a pet bowl, showing my new design in an open configuration;
 FIG. 2 is a front elevational view thereof;
 FIG. 3 is a rear elevational view thereof;
 FIG. 4 is a left-side elevational view thereof;
 FIG. 5 is a right-side elevational view thereof;
 FIG. 6 is a top plan view thereof;
 FIG. 7 is a bottom plan view thereof;
 FIG. 8 is a perspective view of the petbowl in a closed configuration;
 FIG. 9 is a front elevational view thereof;
 FIG. 10 is a rear elevational view thereof;
 FIG. 11 is a left-side elevational view thereof;
 FIG. 12 is a rear elevational view thereof;
 FIG. 13 is a top plan view thereof; and,
 FIG. 14 is a bottom plan view thereof.

1 Claim, 6 Drawing Sheets



(56)

References Cited

U.S. PATENT DOCUMENTS

5,209,184	A *	5/1993	Sharkan et al.	119/61.56	D603,106	S *	10/2009	Ragonetti et al.	D30/130
D342,806	S *	12/1993	Jones et al.	D28/73	7,637,390	B2 *	12/2009	Bocola	220/849
D351,263	S *	10/1994	Evans	D30/129	7,685,966	B2 *	3/2010	Goehring	119/51.02
5,423,451	A *	6/1995	Snyder	220/574	D618,860	S *	6/2010	Friedland et al.	D30/129
D362,090	S *	9/1995	Baldwin et al.	D30/130	D621,560	S *	8/2010	McMurphy	D30/133
5,458,087	A *	10/1995	Prior et al.	119/51.5	D622,011	S *	8/2010	Yowell	D30/129
5,546,894	A *	8/1996	St-Pierre	119/61.55	7,878,148	B2 *	2/2011	Swenson et al.	119/61.5
5,577,461	A *	11/1996	Sebastian et al.	119/51.5	D636,539	S *	4/2011	Montoya	D30/129
5,632,228	A *	5/1997	Ybarra	119/51.5	D640,546	S *	6/2011	Berggren	D9/428
D379,684	S *	6/1997	Dennis	D30/130	D649,869	S *	12/2011	Gibson et al.	D9/421
5,641,140	A *	6/1997	Sorenson	248/205.3	D650,269	S *	12/2011	Berggren	D9/428
5,752,464	A *	5/1998	King et al.	119/63	D653,000	S *	1/2012	Rutherford	D30/130
5,775,255	A *	7/1998	Louviere, III	119/51.5	D660,693	S *	5/2012	Berggren	D9/428
D402,425	S *	12/1998	Lacz et al.	D30/121	D664,308	S *	7/2012	Crystal	D30/130
5,857,427	A *	1/1999	Kelley	119/61.56	D667,175	S *	9/2012	McMurphy	D30/133
D417,366	S *	12/1999	Obra	D7/549	D681,886	S *	5/2013	Paschall et al.	D30/129
D447,290	S *	8/2001	Huai	D30/129	8,458,996	B2 *	6/2013	Bried et al.	53/471
D448,296	S *	9/2001	Bried et al.	D9/449	D698,653	S *	2/2014	Schumaier	D9/504
6,401,656	B1 *	6/2002	Adkisson	119/51.01	D700,407	S *	2/2014	Paschall et al.	D30/129
6,443,096	B1 *	9/2002	Prydie	119/61.56	D702,404	S *	4/2014	Leung et al.	D30/129
D464,886	S *	10/2002	Bried et al.	D9/504	8,807,082	B1 *	8/2014	Alfonso	119/61.53
6,478,277	B2 *	11/2002	Winquest	248/346.01	D712,263	S *	9/2014	Humm et al.	D9/449
D478,693	S *	8/2003	Steinbacher	D30/130	2005/0173272	A1 *	8/2005	Lemmons	206/256
6,644,241	B2 *	11/2003	Brown	119/61.5	2006/0032451	A1 *	2/2006	Gonet	119/61.5
D490,577	S *	5/2004	Steinbacher et al.	D30/130	2006/0060480	A1 *	3/2006	Budd	206/266
D497,041	S *	10/2004	Plante	D30/130	2006/0130770	A1 *	6/2006	Rokos	119/61.5
D506,854	S *	6/2005	Baker	D30/133	2006/0144340	A1 *	7/2006	Burge et al.	119/61.5
D512,801	S *	12/2005	Kratzer et al.	D30/130	2006/0201434	A1 *	9/2006	Kujawa et al.	119/61.5
D514,751	S *	2/2006	Plante	D30/130	2007/0151010	A1 *	7/2007	Ellerbe	4/300.3
D522,362	S *	6/2006	Liebe	D9/449	2008/0011236	A1 *	1/2008	Pacz	119/61.53
7,073,461	B2 *	7/2006	Gonet	119/61.5	2008/0105205	A1 *	5/2008	Goehring	119/51.02
7,234,417	B2 *	6/2007	Laird	119/61.57	2008/0216753	A1 *	9/2008	Wang	119/61.1
7,263,949	B1 *	9/2007	Seaford	119/51.5	2008/0264345	A1 *	10/2008	Kujawa et al.	119/61.5
7,387,082	B1 *	6/2008	Fried	119/61.5	2008/0302307	A1 *	12/2008	Bertsch et al.	119/61.5
7,392,761	B2 *	7/2008	Kujawa et al.	119/61.5	2008/0314326	A1 *	12/2008	Albert	119/61.56
D579,618	S *	10/2008	Wang et al.	D34/7	2010/0170447	A1 *	7/2010	Pridgen, Jr.	119/61.53
D602,653	S *	10/2009	Mendenhall	D30/130	2010/0242847	A1 *	9/2010	Gray	119/61.54
					2011/0283947	A1 *	11/2011	Linke	119/61.53
					2014/0190419	A1 *	7/2014	Harding	119/51.5

* cited by examiner

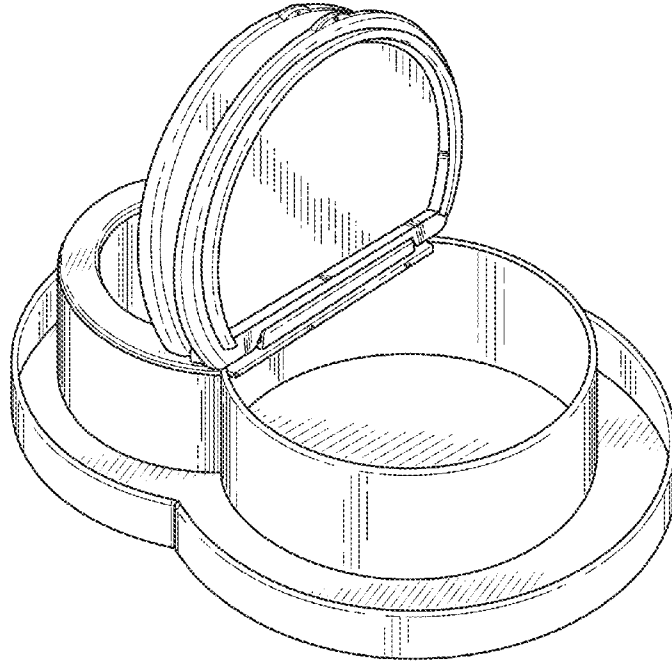


FIG. 1

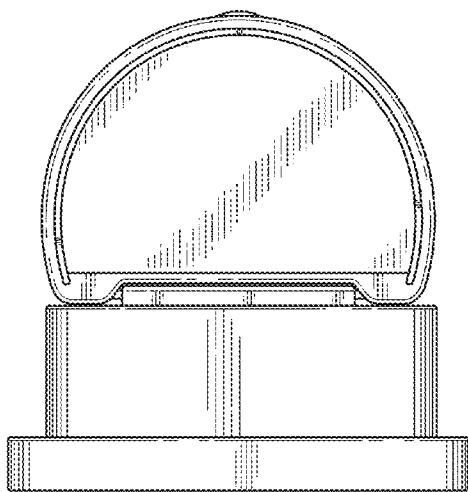


FIG. 2

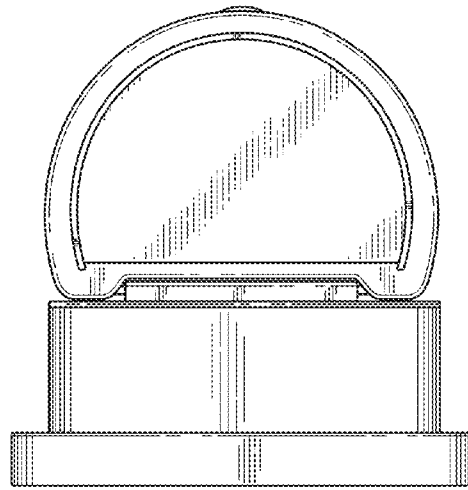


FIG. 3

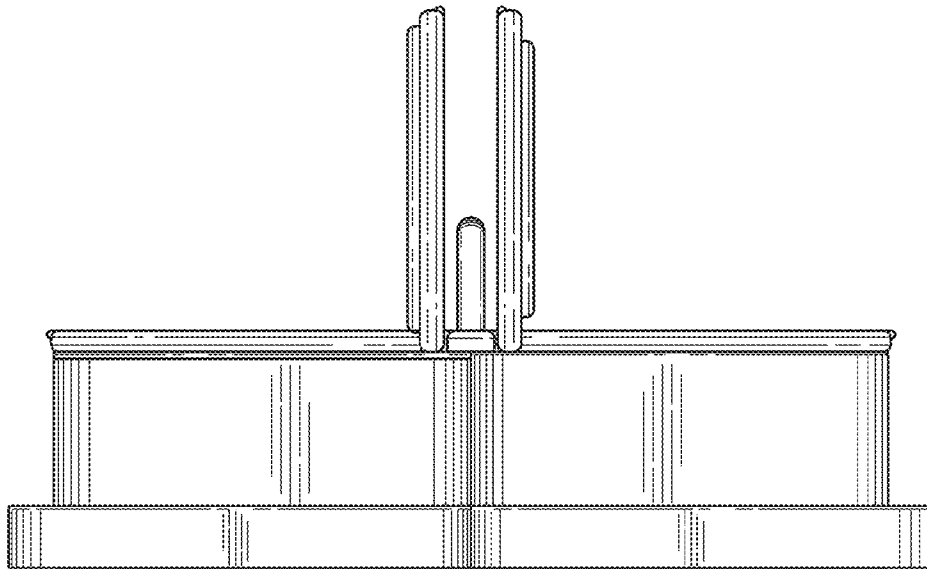


FIG. 4

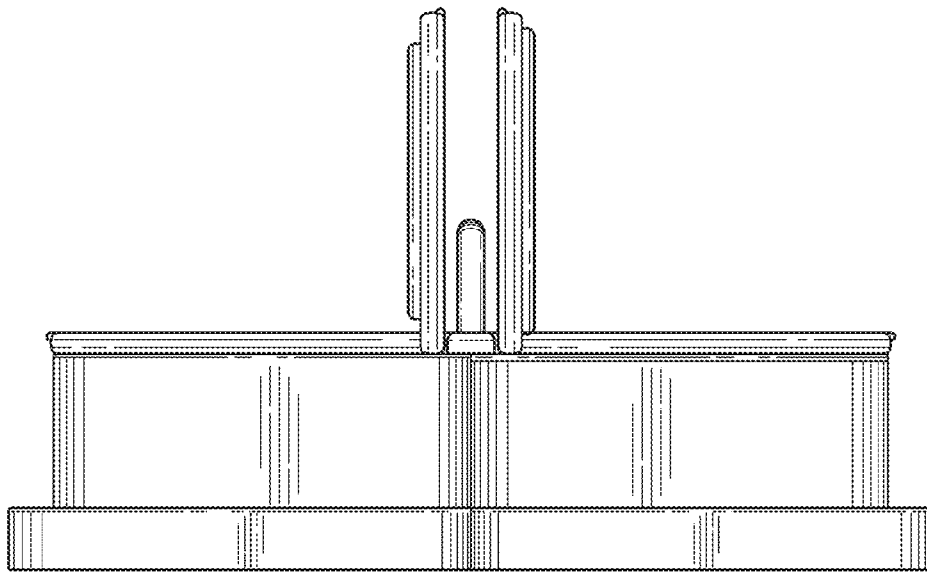


FIG. 5

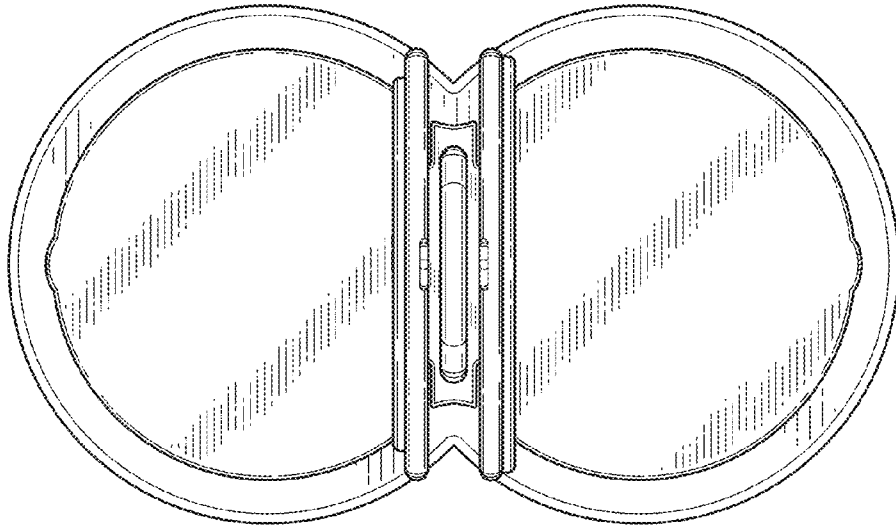


FIG. 6

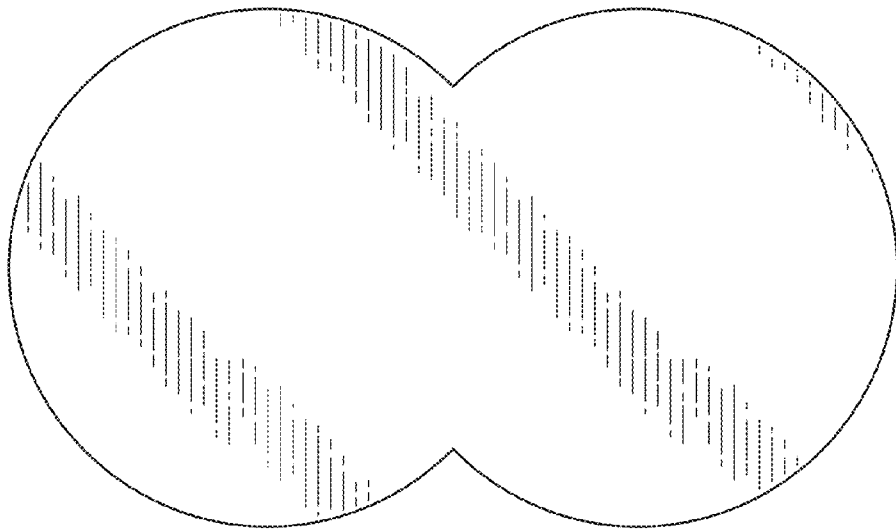


FIG. 7

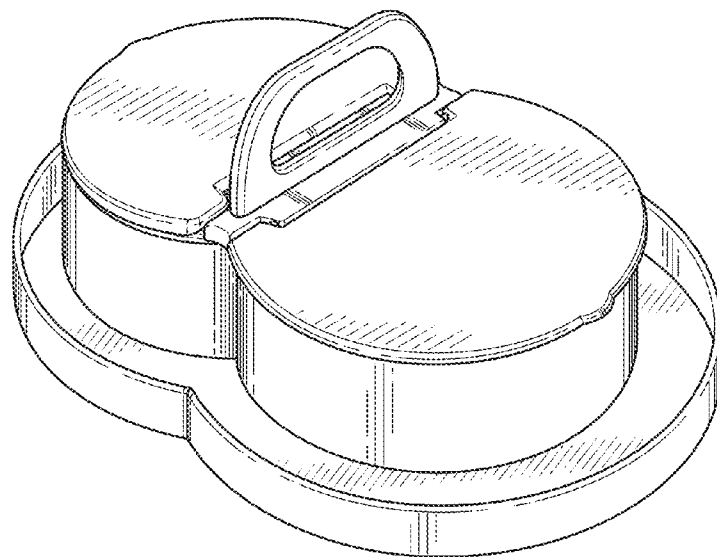


FIG. 8

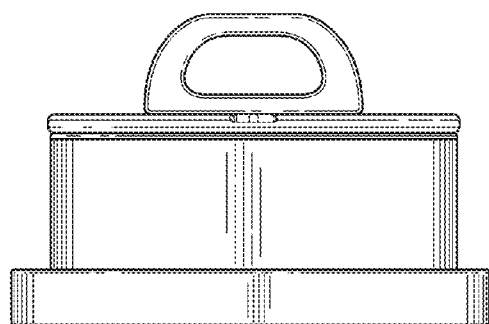


FIG. 9

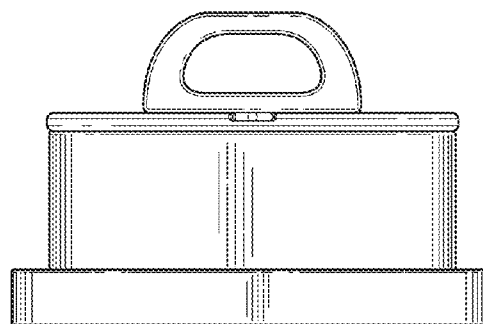


FIG. 10

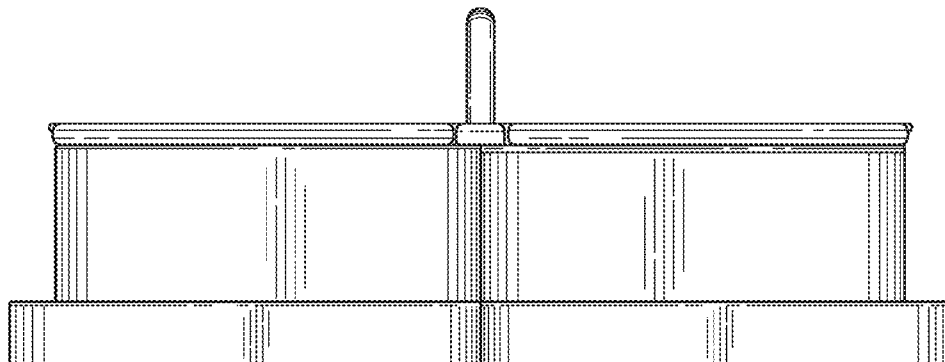


FIG. 11

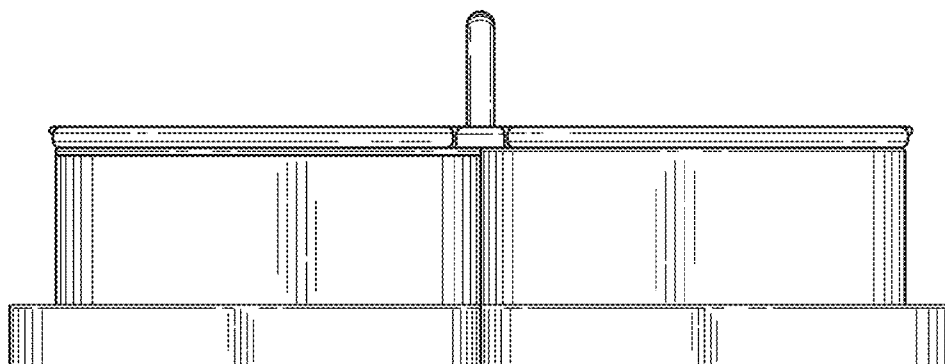


FIG. 12

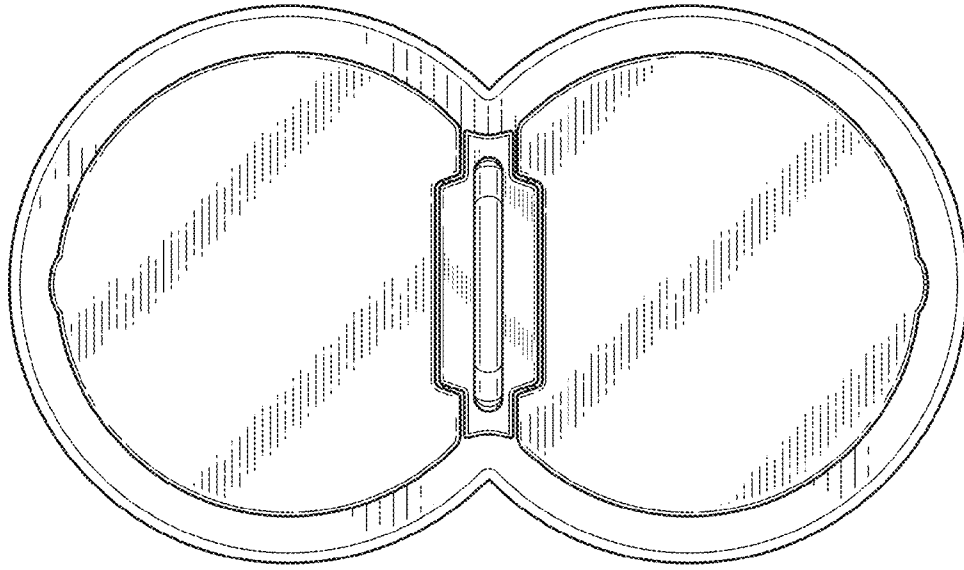


FIG. 13

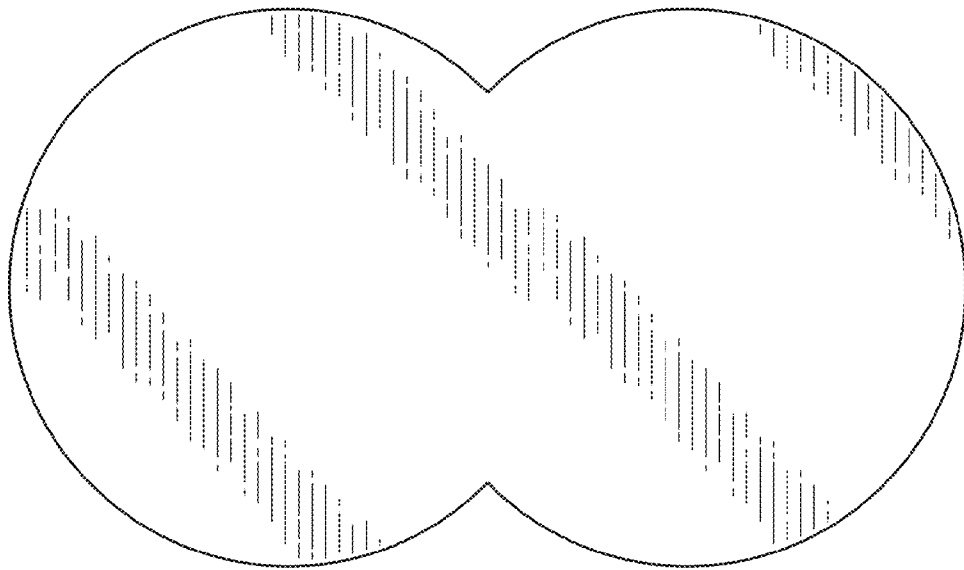


FIG. 14