



(12) **United States Design Patent**  
Norman et al.

(10) **Patent No.:** US D715,871 S  
(45) **Date of Patent:** \*\* Oct. 21, 2014

(54) **PITCH STANDOFF CONNECTOR COMPONENT FOR A CONSTRUCTION KIT**

(71) Applicant: **Innovation First, Inc.**, Greenville, TX (US)

(72) Inventors: **David Anthony Norman**, Greenville, TX (US); **Robert H. Mimplitch, III**, Rowlett, TX (US); **Paul David Copioli**, Rockwall, TX (US); **Gregory James Lavender**, Rockwall, TX (US); **Aren Calder Hill**, Rockford, IL (US); **Douglas Michael Galletti**, Allen, TX (US); **John Edward Vielkind-Neun**, Rockwall, TX (US); **Arthur Philip Dutra, IV**, Greenville, TX (US)

(73) Assignee: **Innovation First, Inc.**, Greenville, TX (US)

(\*\*) Term: **14 Years**

(21) Appl. No.: **29/483,271**

(22) Filed: **Feb. 27, 2014**

**Related U.S. Application Data**

(62) Division of application No. 29/451,635, filed on Apr. 5, 2013.

(51) **LOC (10) Cl.** ..... **21-01**

(52) **U.S. Cl.**  
USPC ..... **D21/487**

(58) **Field of Classification Search**

CPC ..... A63H 33/00; A63H 33/04; A63H 33/06; A63H 33/08; A63H 33/10; A63H 33/12; A63H 33/14; A63F 9/08; A63F 9/12; G09B 1/36  
USPC ..... D21/484-505; D8/382; 273/153, 156; 446/69, 85, 102-128; 434/259

See application file for complete search history.

(56) **References Cited**

U.S. PATENT DOCUMENTS

2,885,822	A	5/1959	Onanian	
3,648,404	A *	3/1972	Ogsbury et al. ....	446/126
D236,521	S	8/1975	Christiansen	
D254,752	S	4/1980	Gabriel	
D276,830	S	12/1984	Petersson	
D278,143	S *	3/1985	Hill .....	D8/354
4,548,590	A *	10/1985	Green .....	446/120
D281,440	S	11/1985	Petersson	
D334,953	S	4/1993	Kawahara et al.	
D409,677	S *	5/1999	Jensen .....	D21/487
D410,041	S *	5/1999	Jensen .....	D21/487

(Continued)

*Primary Examiner* — Cynthia M Chin

(74) *Attorney, Agent, or Firm* — Adam K. Sacharoff; Much Shelist

(57) **CLAIM**

The ornamental design for a pitch standoff connector component for a construction kit, as shown and described.

**DESCRIPTION**

FIG. 1 is a top perspective view of a pitch standoff connector component for a construction kit in accordance with the present invention;

FIG. 2 is a bottom perspective view of FIG. 1;

FIG. 3 is a top side view of FIG. 1;

FIG. 4 is a bottom side view of FIG. 1;

FIG. 5 is a right side view of FIG. 1;

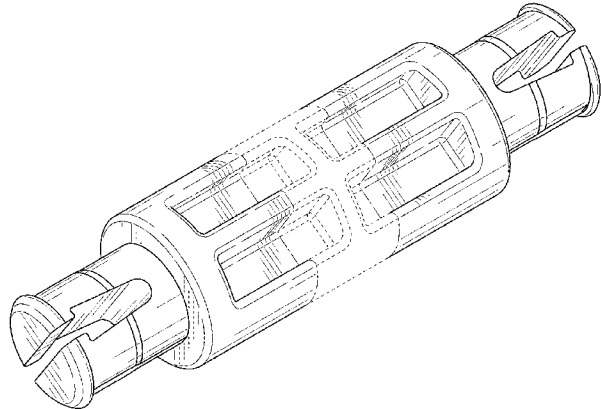
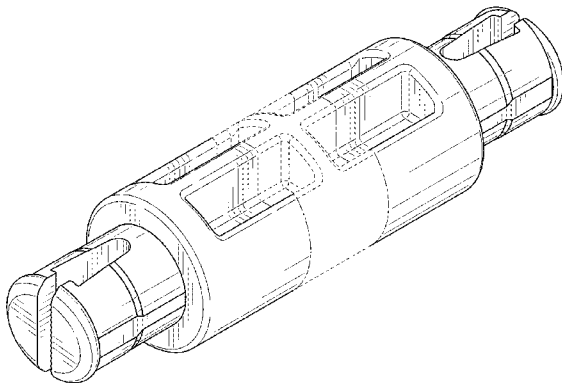
FIG. 6 is a left side view of FIG. 1;

FIG. 7 is a front side view of FIG. 1; and,

FIG. 8 is a rear side view of FIG. 1.

The dash-dot broken lines represent the bounds of the claim and all other broken lines represent the environment in which the article resides. None of the broken lines form a part of the claimed design.

**1 Claim, 4 Drawing Sheets**





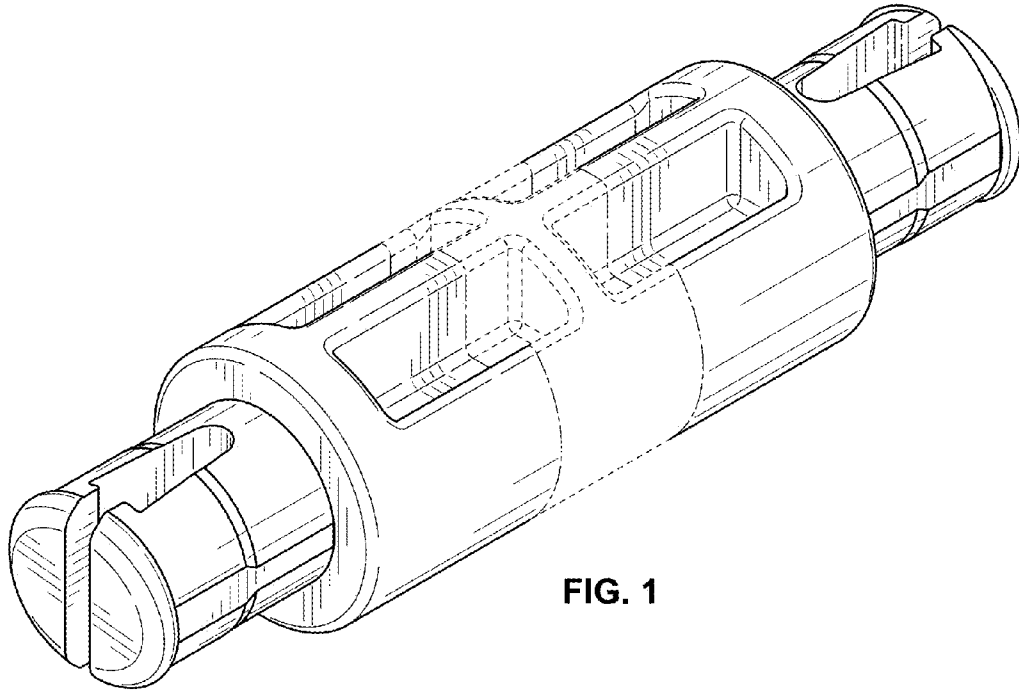


FIG. 1

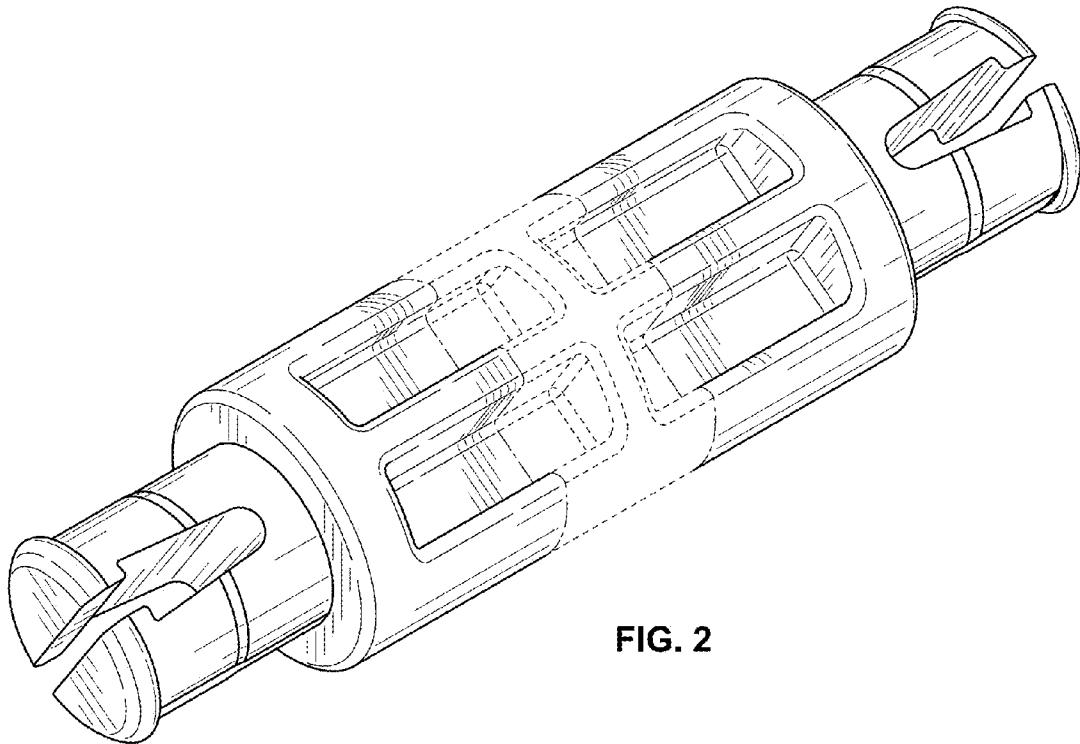


FIG. 2

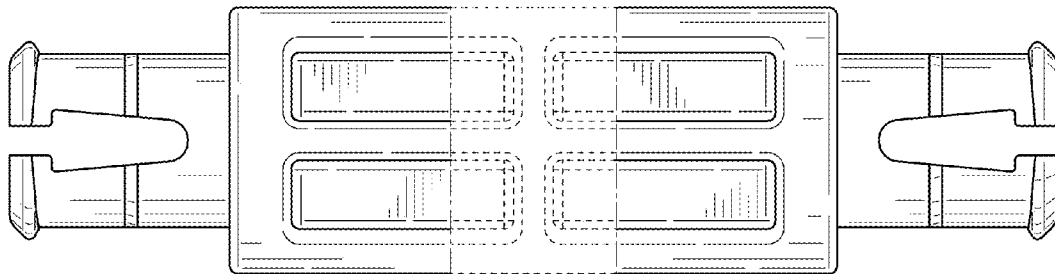


FIG. 3

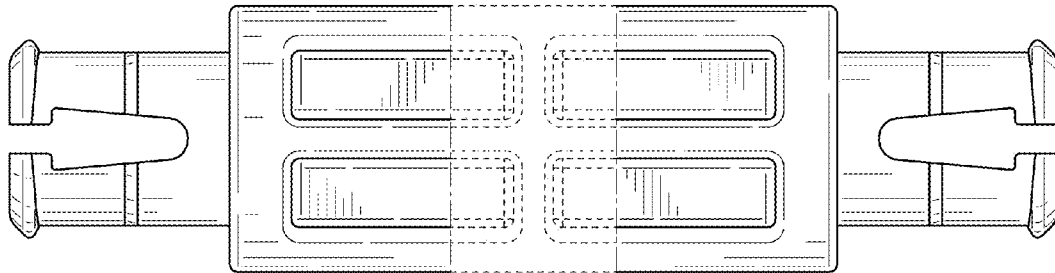


FIG. 4

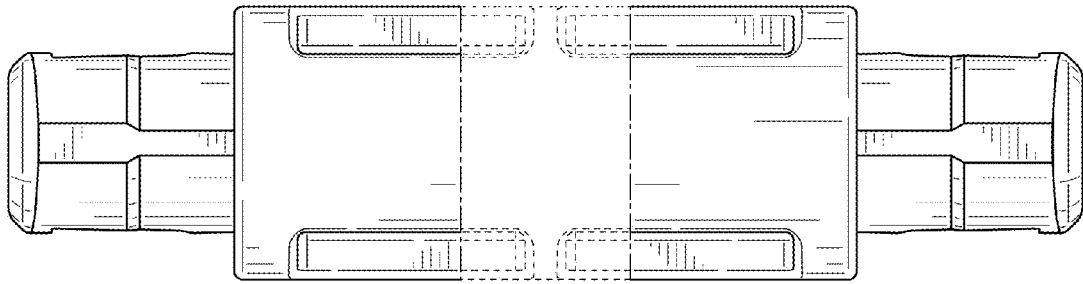


FIG. 5

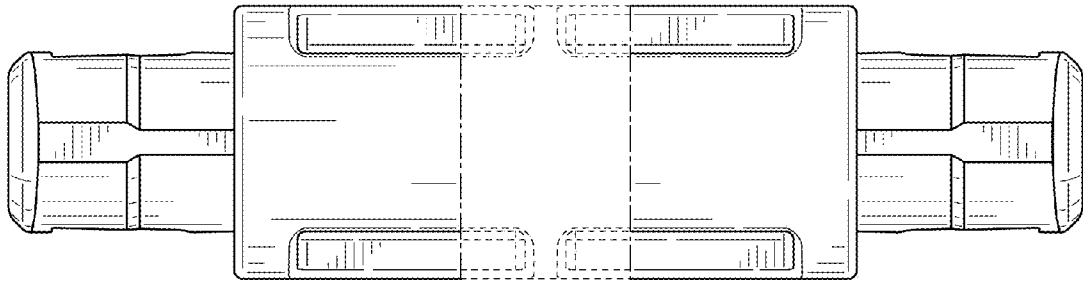


FIG. 6

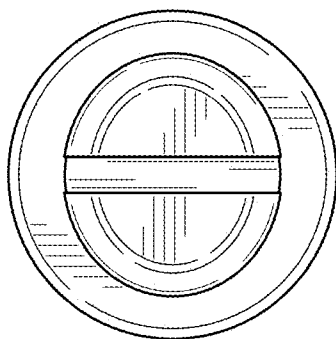


FIG. 7

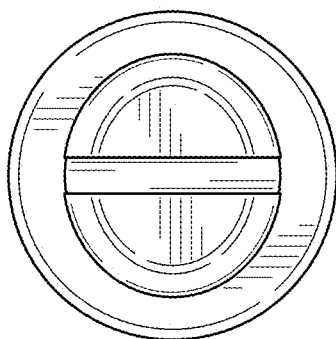


FIG. 8