



US00D465151S

(12) **United States Design Patent** (10) **Patent No.:** **US D465,151 S**  
**Mixon** (45) **Date of Patent:** **\*\* Nov. 5, 2002**

(54) **DUMBBELL SHAPED BEVERAGE BOTTLE**

D422,904 S \* 4/2000 Lepsius et al. .... D9/307

(76) Inventor: **Jeffrey Todd Mixon**, 3074 Hathaway Ct., Atlanta, GA (US) 30341

\* cited by examiner

(\*\*) Term: **14 Years**

*Primary Examiner*—Terry A. Wallace  
(74) *Attorney, Agent, or Firm*—Pennie & Edmonds LLP

(21) Appl. No.: **29/150,744**

(57) **CLAIM**

(22) Filed: **Nov. 29, 2001**

The ornamental design for the dumbbell shaped beverage bottle, as shown and described.

(51) **LOC (7) Cl.** ..... **09-01**

**DESCRIPTION**

(52) **U.S. Cl.** ..... **D9/307**

FIG. 1 is a top, front and side perspective view of an ornamental design for a dumbbell shaped beverage bottle according to the present invention;

(58) **Field of Search** ..... D9/307, 500-504, D9/549, 538, 555; D21/681; 482/106, 108; 215/381-384, 400

FIG. 2 is a front elevation view thereof; the left side, right side and rear elevation being identical thereto;

(56) **References Cited**

FIG. 3 is a top plan view thereof; and,

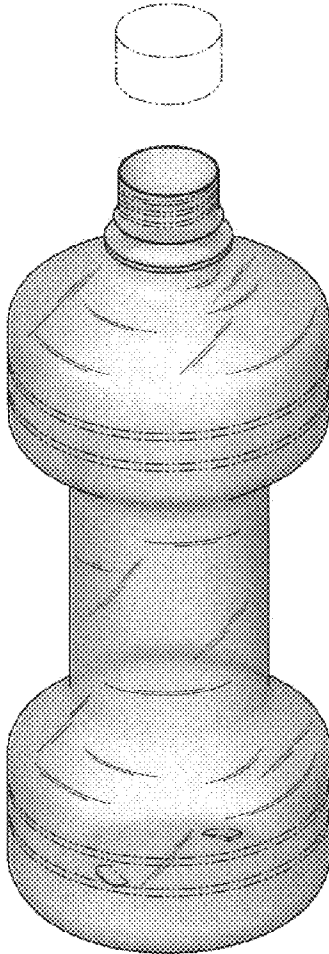
**U.S. PATENT DOCUMENTS**

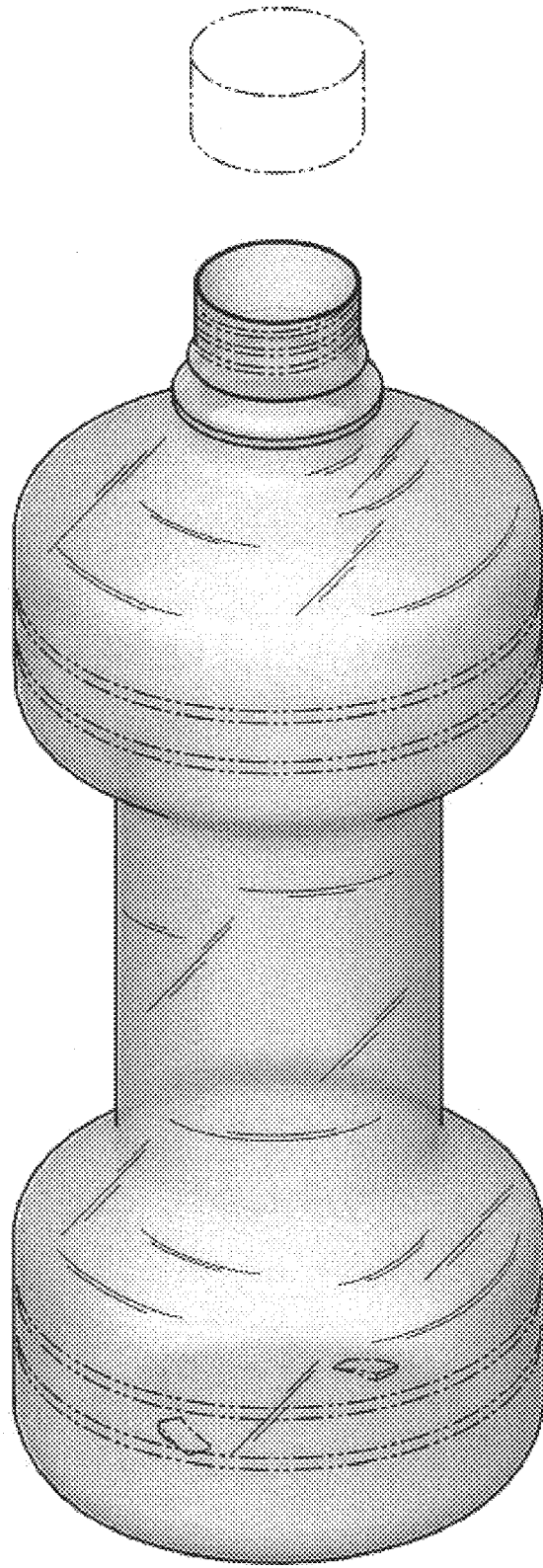
FIG. 4 is a bottom plan view thereof.

4,538,806 A \* 9/1985 Wilkerson ..... 482/108  
D317,256 S \* 6/1991 Samuels ..... D9/503  
D337,522 S \* 7/1993 Kingsbury ..... D9/307 X

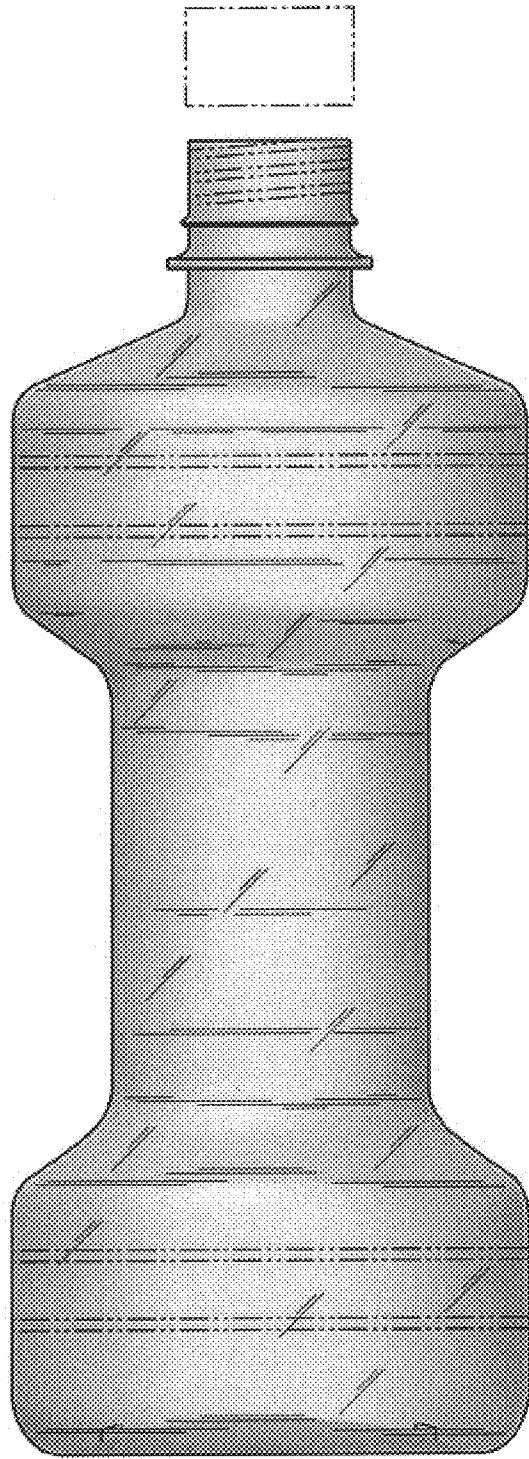
All portions shown in broken lines are environmental and illustrative only and form no part of the claimed design.

**1 Claim, 3 Drawing Sheets**

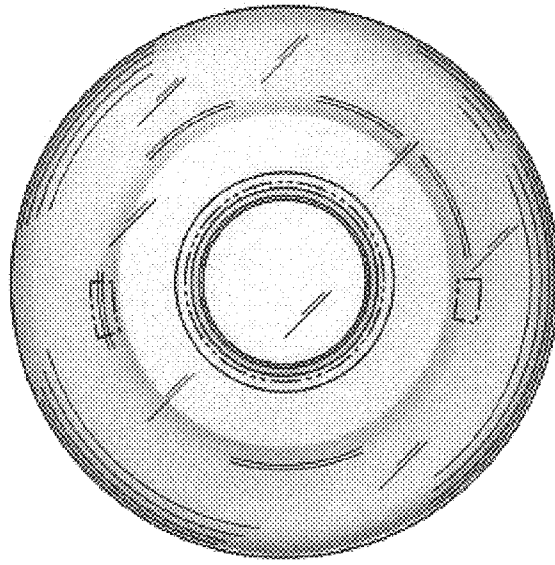




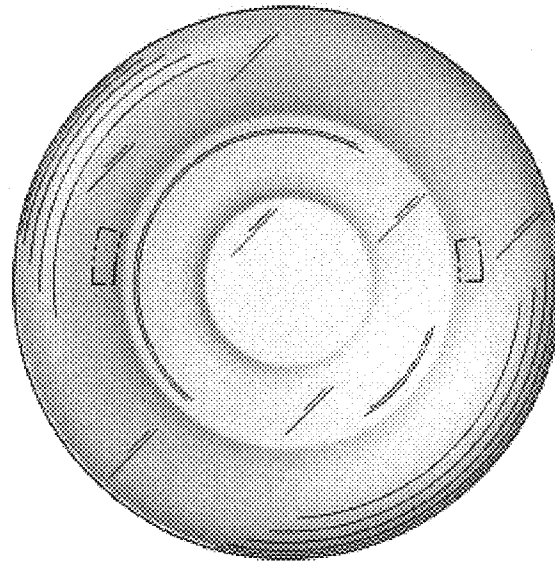
*Fig. 1*



*Fig. 2*



*Fig. 3*



*Fig. 4*