



(12) **United States Design Patent**
Yang

(10) **Patent No.:** **US D1,069,077 S**
(45) **Date of Patent:** **** Apr. 1, 2025**

(54) **AIR PURIFIER**

(71) Applicant: **Dongguan Puremate Technology Co., Ltd.**, Dongguan (CN)

(72) Inventor: **Bo Yang**, Dongguan (CN)

(73) Assignee: **Dongguan Puremate Technology Co., Ltd.**, Dongguan (CN)

(**) Term: **15 Years**

(21) Appl. No.: **29/957,099**

(22) Filed: **Aug. 12, 2024**

(51) **LOC (15) Cl.** **23-04**

(52) **U.S. Cl.**
USPC **D23/364**

(58) **Field of Classification Search**
USPC D23/355, 357, 361, 362, 363, 364, 365, D23/366, 368, 369
CPC . F24F 8/10; F24F 8/80; F24F 2110/50; B01D 45/12; B01D 45/14
See application file for complete search history.

(56) **References Cited**

U.S. PATENT DOCUMENTS

D927,667 S *	8/2021	Jeon	D23/364
D936,200 S *	11/2021	Yang	D23/364
D952,815 S *	5/2022	Zheng	D23/359
D960,340 S *	8/2022	Li	D23/364
D972,094 S *	12/2022	Lin	D23/333
D986,398 S *	5/2023	Li	D23/364
D1,004,067 S *	11/2023	Li	D23/364
D1,049,345 S *	10/2024	Campbell	D23/365
D1,049,346 S *	10/2024	Campbell	D23/365
D1,053,334 S *	12/2024	Yang	D23/364

(Continued)

FOREIGN PATENT DOCUMENTS

CN	308305424	*	11/2023
CN	308305424 S		11/2023
CN	308837771	*	9/2024

(Continued)

OTHER PUBLICATIONS

[Ecoself], available in amazon.com, announced Nov. 21, 2024 [online], [site visited Dec. 5, 2024], Internet URL: <https://www.amazon.com/ECOSELF-Purifier-Aromatherapy-2X-Power-Filtration/dp/B0DNSN2JLG/> (Year: 2024).*

(Continued)

Primary Examiner — George J Ulsh

Assistant Examiner — Jihyung Yoon

(74) *Attorney, Agent, or Firm* — Westbridge IP LLC

(57) **CLAIM**

The ornamental design for an air purifier, as shown and described.

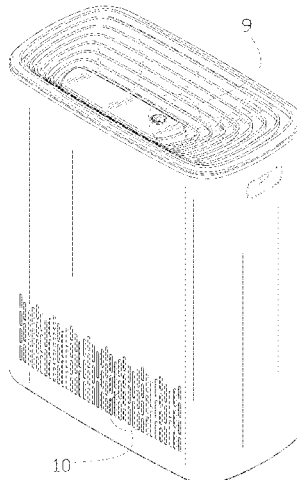
DESCRIPTION

FIG. 1 is a front, right and top perspective view of an air purifier showing my new design; FIG. 2 is a rear, left and bottom perspective view thereof; FIG. 3 is a front elevational view thereof; FIG. 4 is a rear elevational view thereof; FIG. 5 is a left side elevational view thereof; FIG. 6 is a right side elevational view thereof; FIG. 7 is a top plan view thereof; FIG. 8 is a bottom plan view thereof; FIG. 9 is an enlarged view taken from detail circle '9' in FIG. 1; and, FIG. 10 is an enlarged view taken from detail circle '10' in FIG. 1.

The dash-dash broken lines in the drawings depict the portions of the air purifier that form no part of the claimed design.

The dot-dash broken lines in the drawings depict the boundaries of the enlarged views and form no part of the claimed design.

1 Claim, 10 Drawing Sheets



(56)

References Cited

U.S. PATENT DOCUMENTS

D1,053,335 S * 12/2024 Gosselin D23/366

FOREIGN PATENT DOCUMENTS

CN 308906080 * 10/2024
CN 308914471 * 10/2024

OTHER PUBLICATIONS

[Jafanda], available in amazon.com, announced Jul. 25, 2024 [online], [site visited Dec. 5, 2024], Internet URL: <https://www.amazon.com/Purifiers-purifier-Allergens-Compatible-Display-Silver/dp/B0DB5Z6BBQ/> (Year: 2024).*

[Mooka], available in amazon.com, announced May 23, 2024 [online], [site visited Dec. 5, 2024], Internet URL: <https://www.amazon.com/Purifiers-Washable-Fragrance-MOOKA-KJ190L/dp/B0CXJ97TV1/> (Year: 2024).*

[Ameifu], available in amazon.com, announced Aug. 19, 2022 [online], [site visited Dec. 5, 2024], Internet URL: <https://www.amazon.com/Purifiers-1640ft%C2%B2-AMEIFU-Filter-Cleaner/dp/B0BB7N1J33/> (Year: 2022).*

* cited by examiner

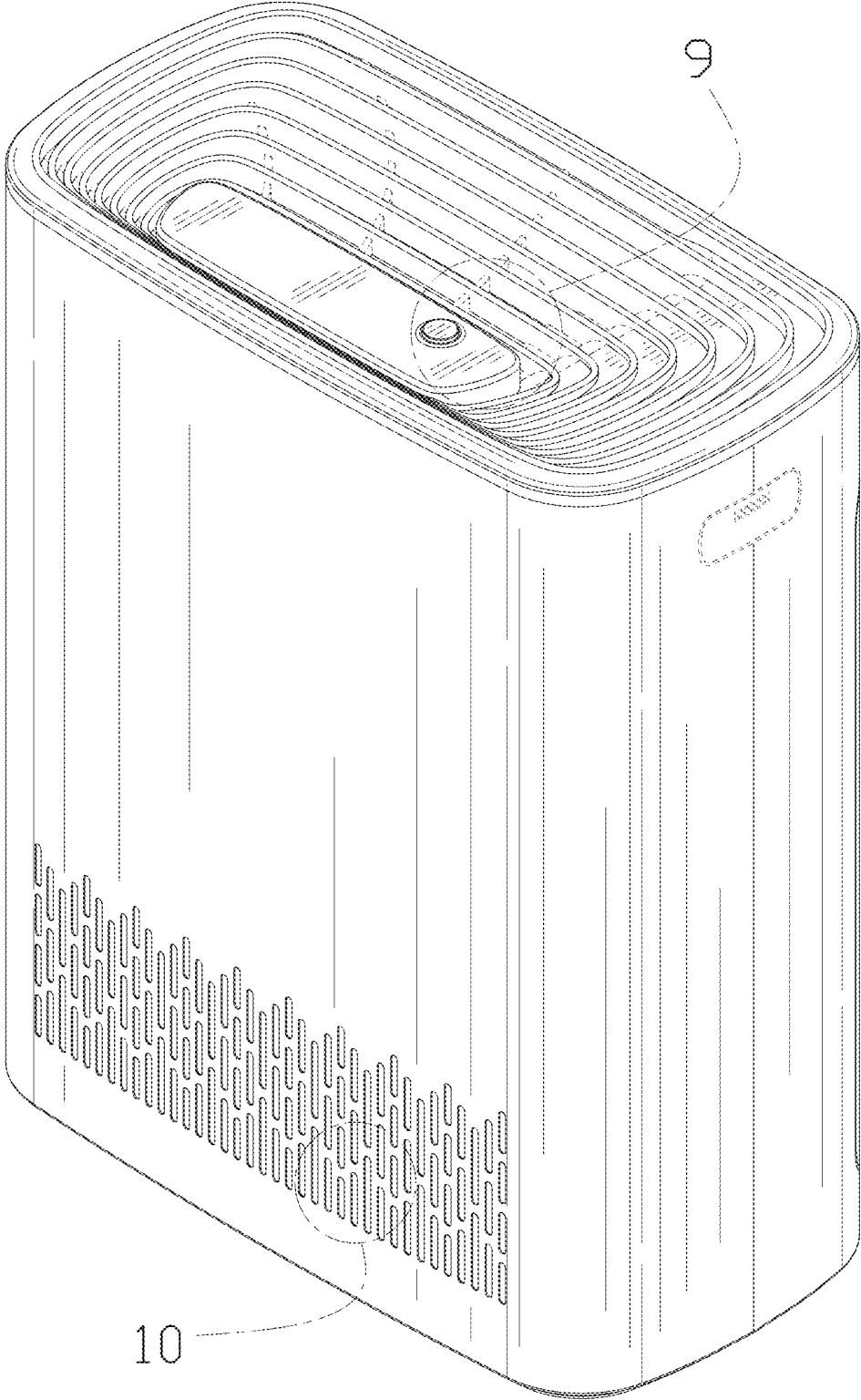


FIG. 1

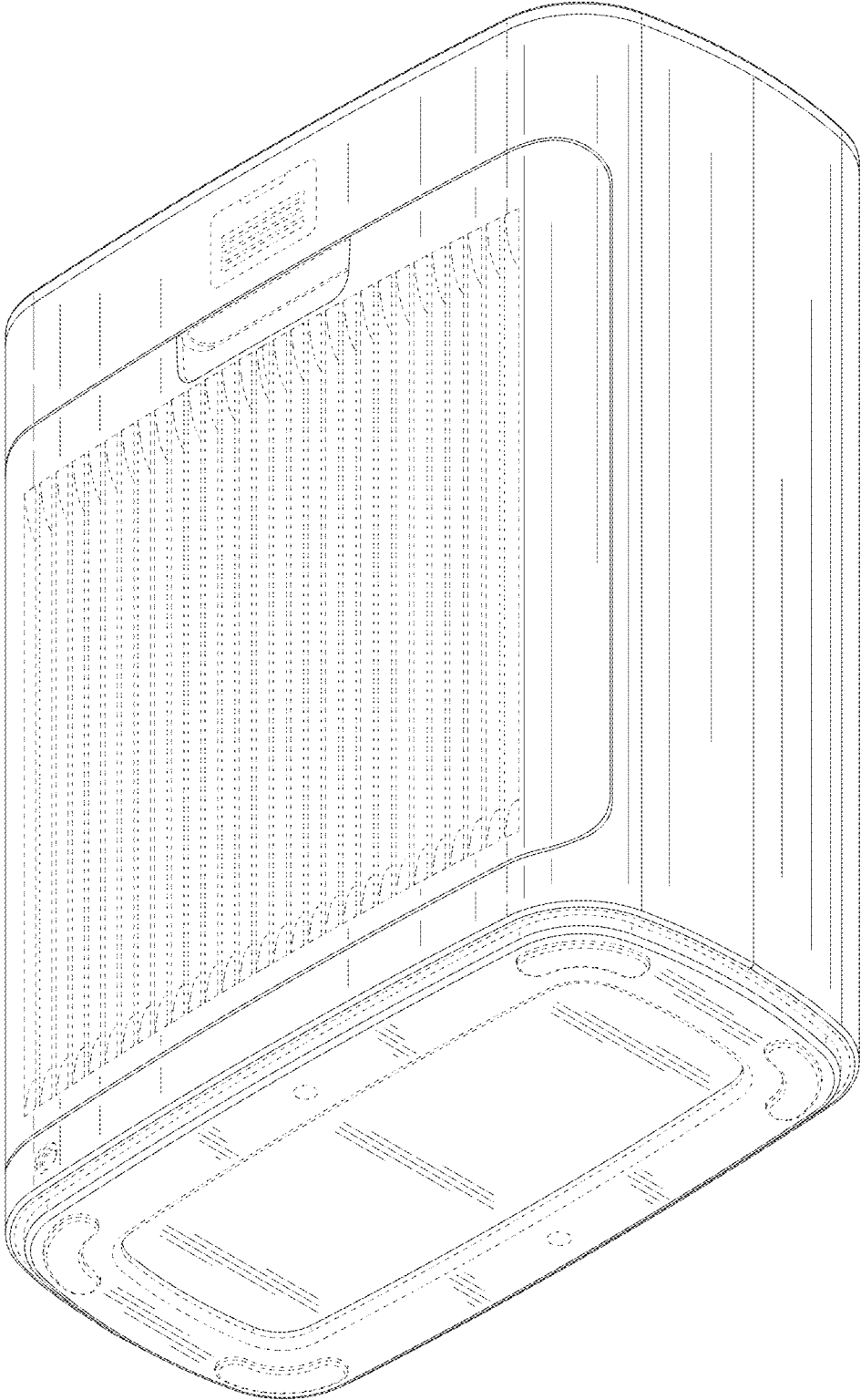


FIG. 2

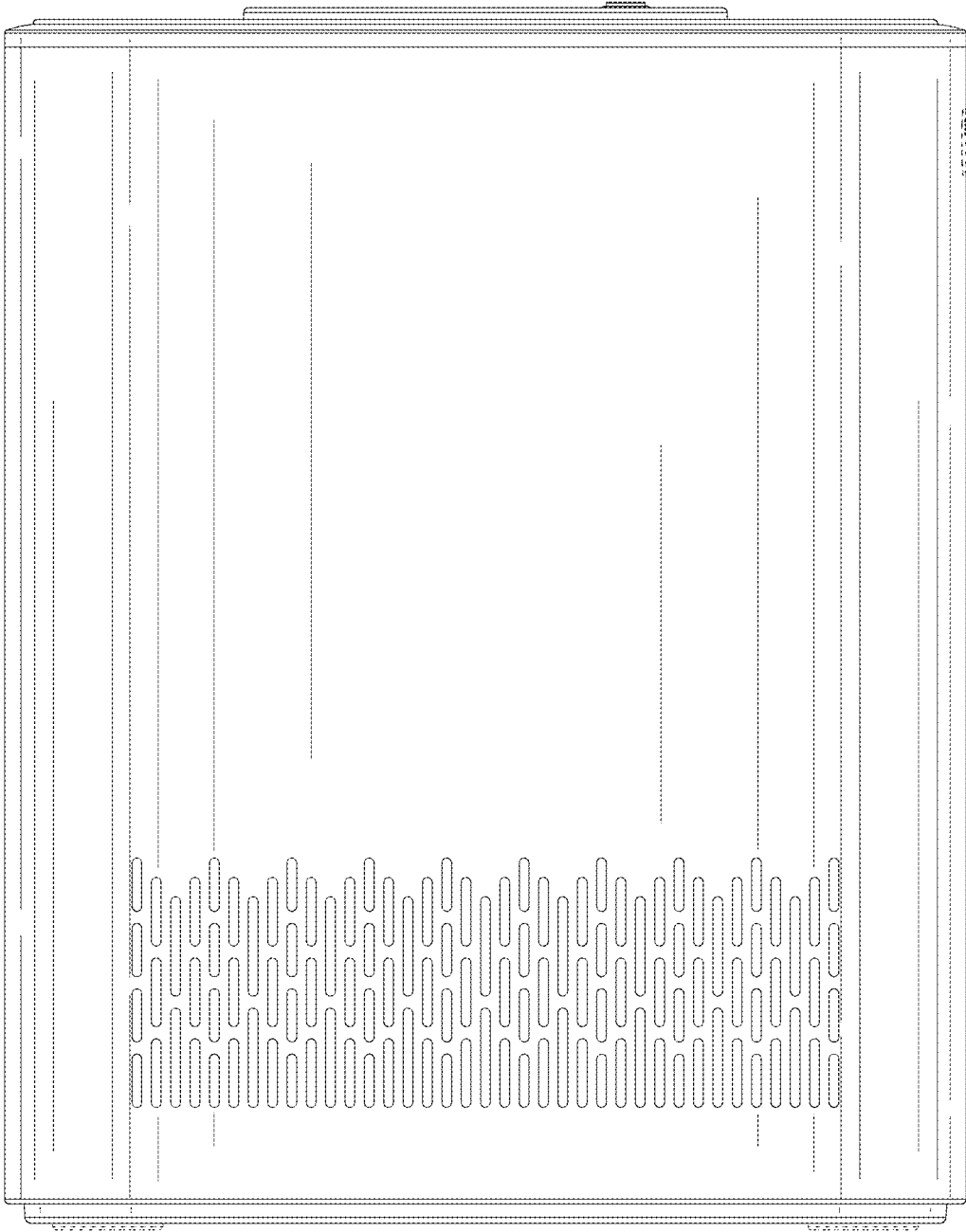


FIG. 3

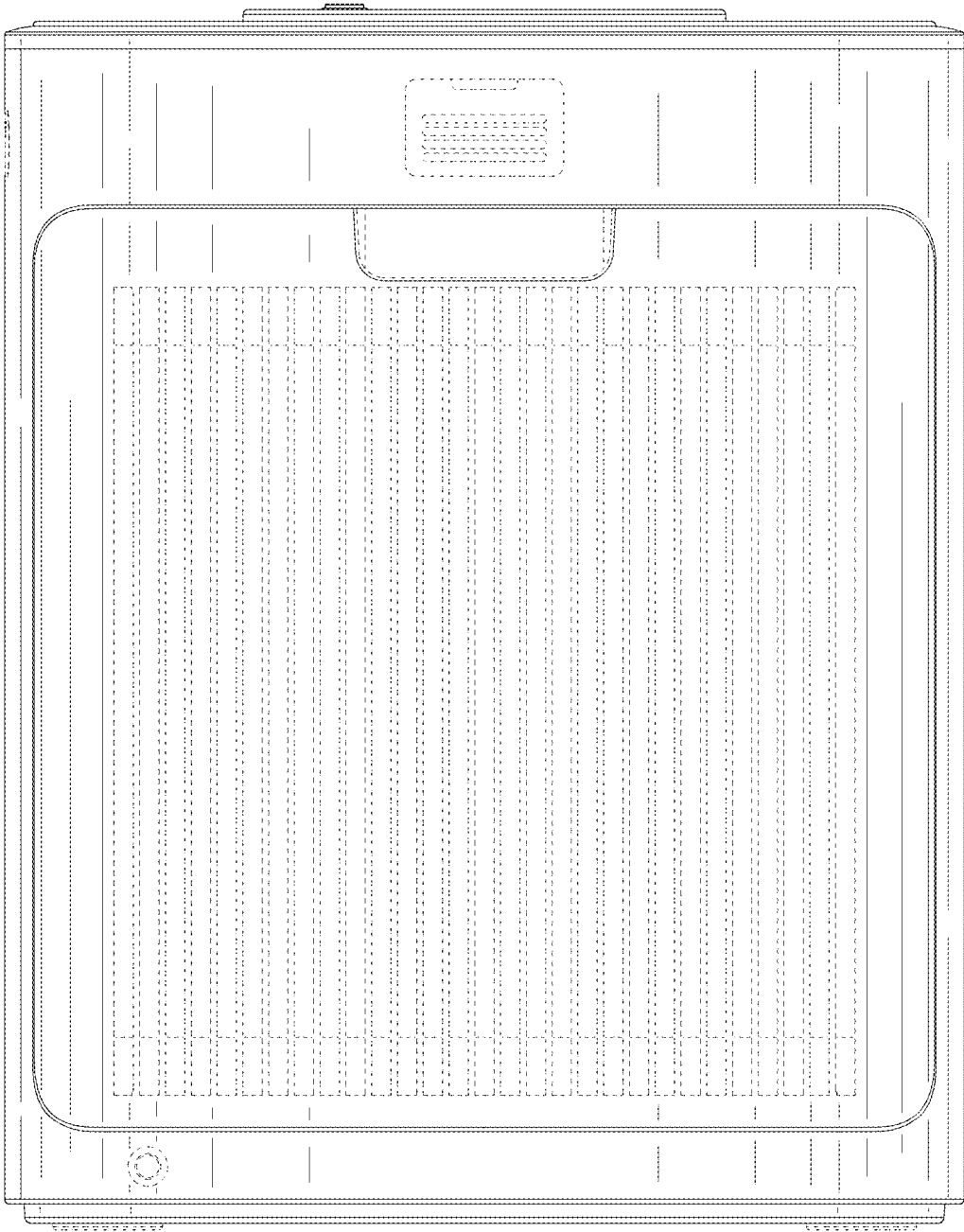


FIG. 4

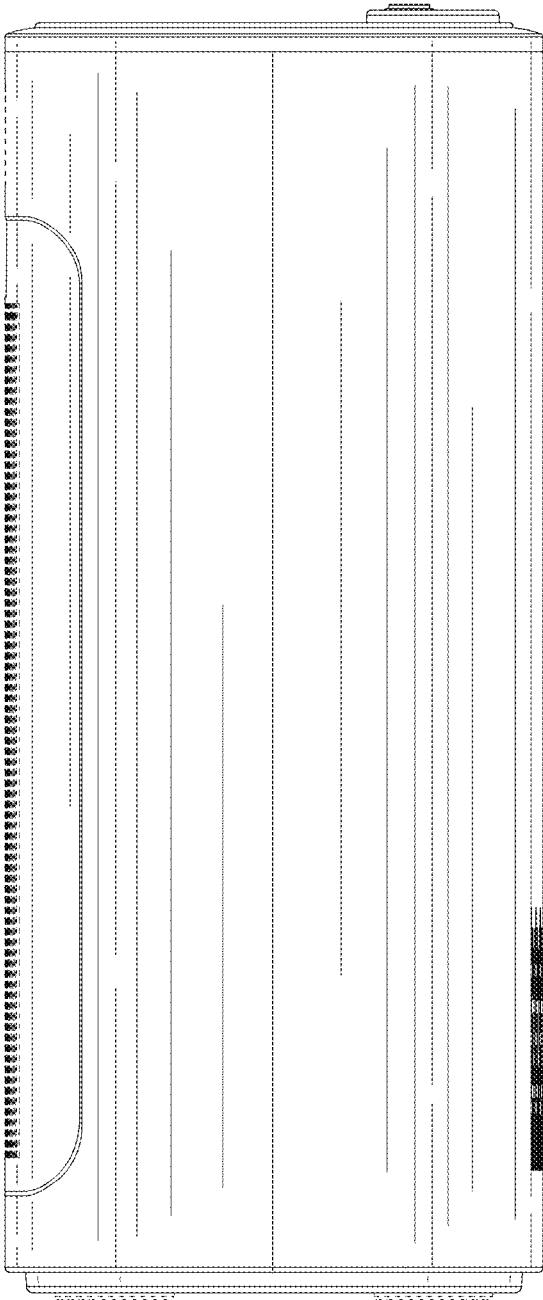


FIG. 5

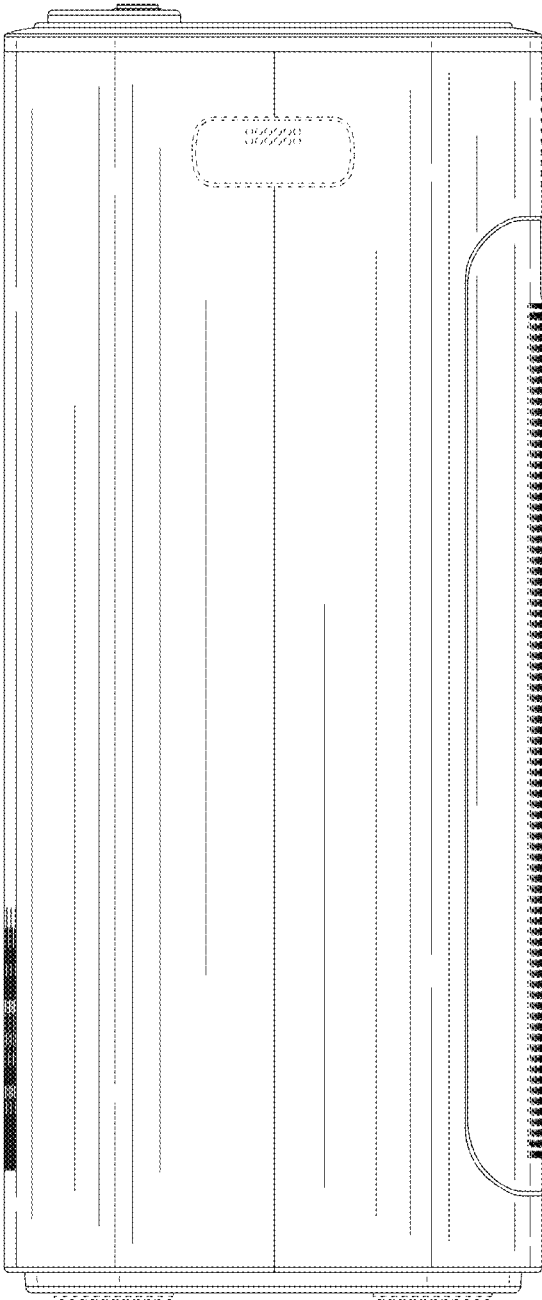


FIG. 6

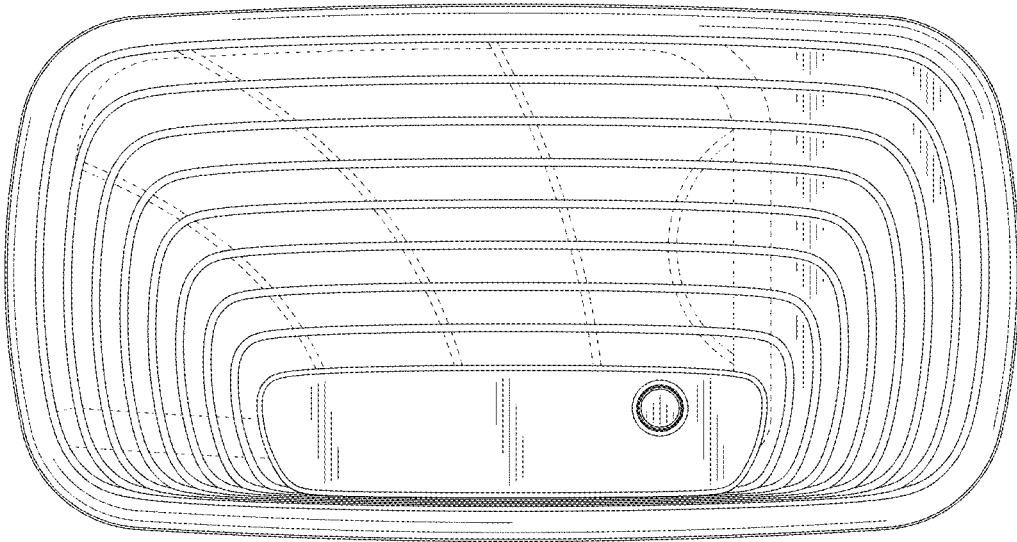


FIG. 7

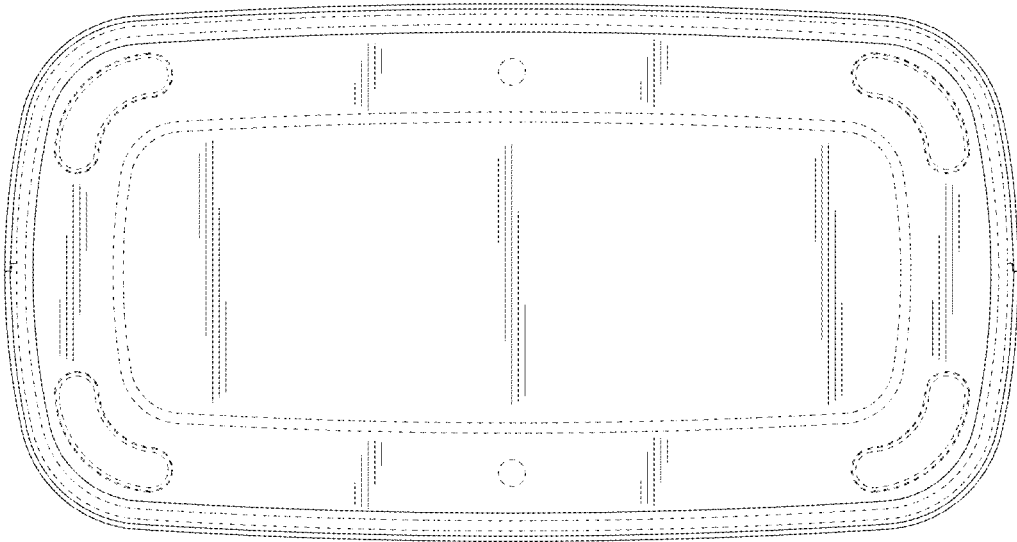


FIG. 8

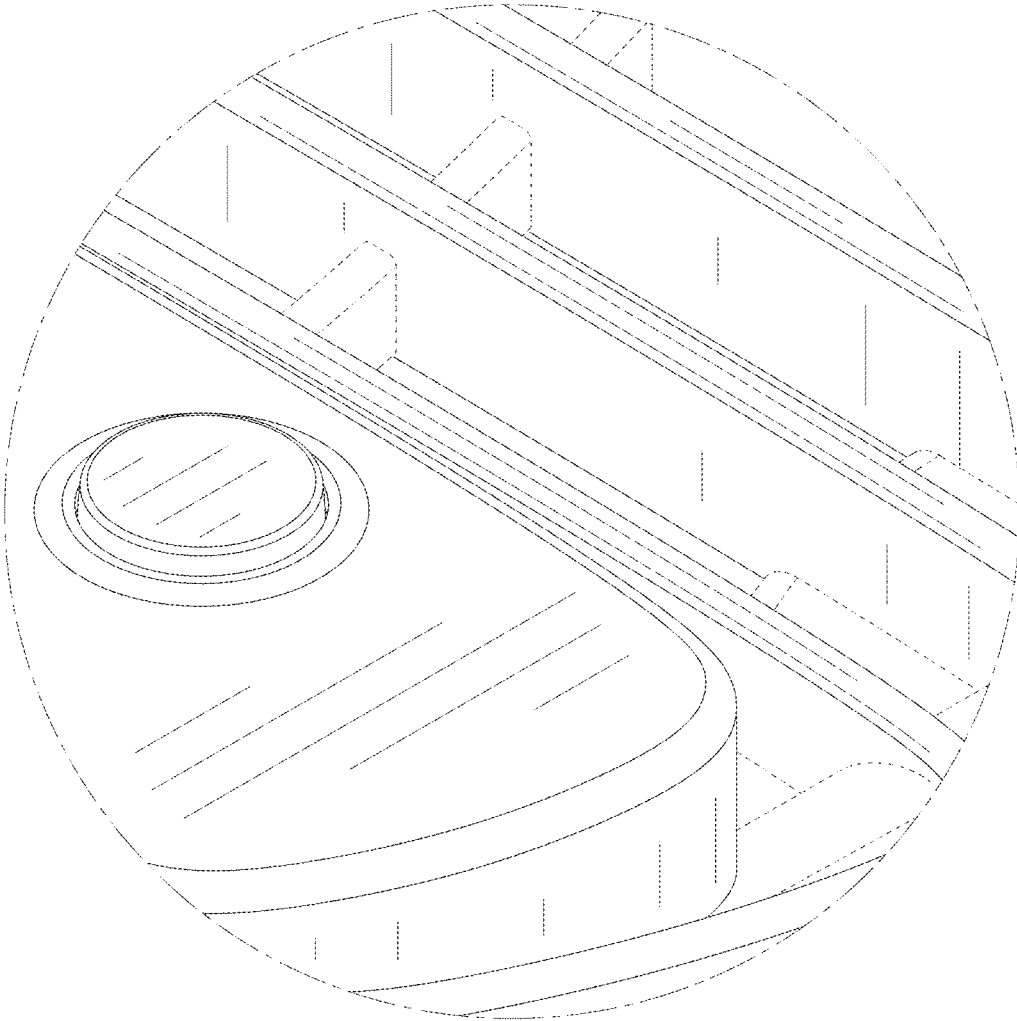


FIG. 9

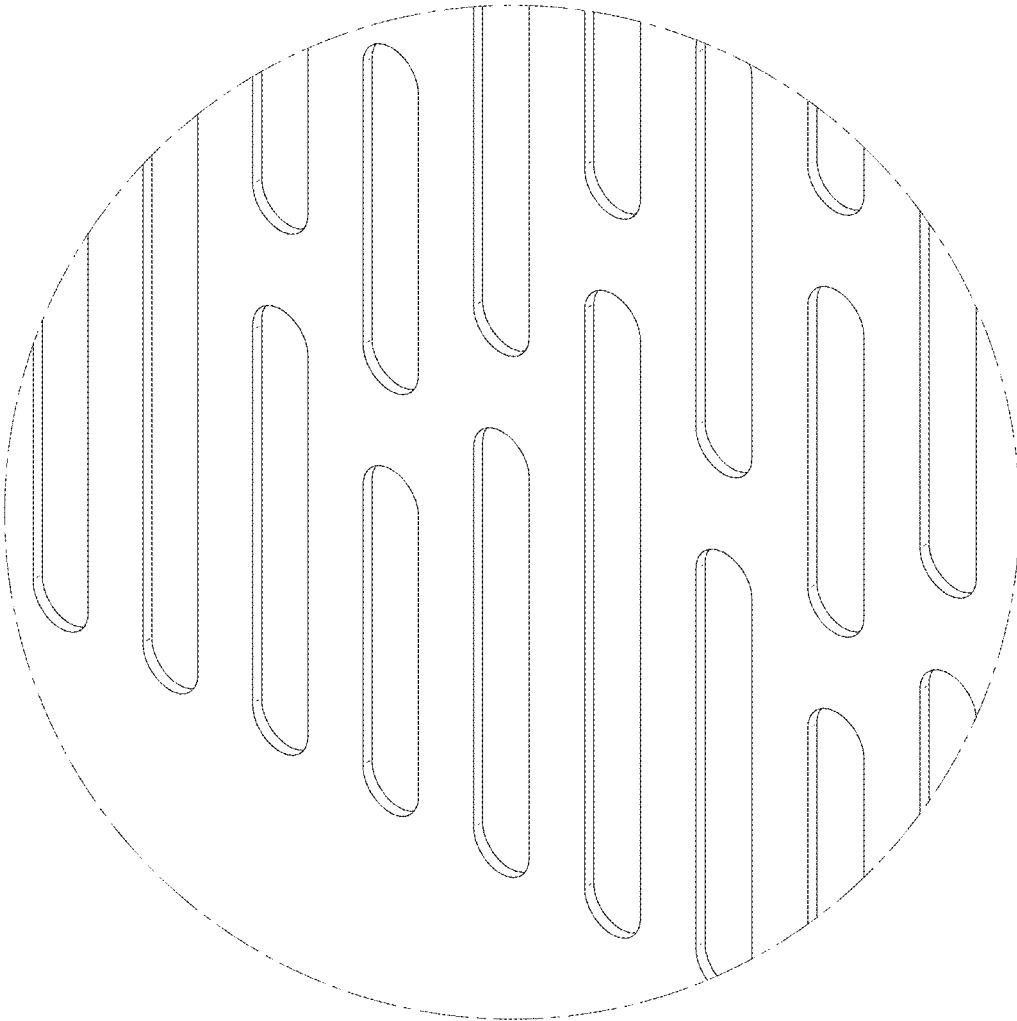


FIG. 10