



US00D378317S

# United States Patent [19]

[11] Patent Number: Des. 378,317

Wike

[45] Date of Patent: \*\*Mar. 11, 1997

[54] COMBINATION SKIRT AND TROUSERS

[76] Inventor: Patricia A. Wike, 907 Floral Dr., Tyrone, Pa. 16686

[\*\*] Term: 14 Years

[21] Appl. No.: 49,572

[22] Filed: Jan. 22, 1996

### Related U.S. Application Data

[63] Continuation-in-part of Ser. No. 32,028, Dec. 12, 1994, abandoned.

[52] U.S. Cl. D2/742; D2/712

[58] Field of Search D2/712, 713, 733, D2/742, 743, 745, 749; 2/400, 401, 405, 408, 227

### [56] References Cited

#### U.S. PATENT DOCUMENTS

D. 112,298	11/1938	Carpenter	D2/733
D. 137,924	5/1944	Brodigan	D2/712
D. 261,323	10/1981	Catron	.
D. 261,324	10/1981	Catron	.
D. 274,669	7/1984	Lyle	D2/712
D. 280,251	8/1985	Forbes	.
D. 292,740	11/1987	Viola	.
D. 305,075	12/1989	Ichikawa	D2/712
D. 339,445	9/1993	Russano	.
D. 341,693	11/1993	Nichols et al.	D2/742
D. 352,577	11/1994	Shover	D2/712
D. 355,295	2/1995	Berni	D2/743
D. 359,609	6/1995	Deslippe	D2/742
555,535	3/1896	Sessler	2/212
602,188	4/1898	Sittig	D2/712
676,336	6/1901	McGuire	2/408

1,469,287	10/1923	Torchia	D2/712
2,138,230	11/1938	Friedman	2/71
2,277,068	3/1942	Bulloch	D2/712
2,803,823	8/1957	Broadwin	2/67
3,440,665	4/1969	Russel	2/240
3,678,514	7/1972	Safrit	2/212
4,424,596	1/1984	Jackson	2/240
4,446,575	3/1984	Davis	2/400

### OTHER PUBLICATIONS

*Frederick's of Hollywood 1947-1973*: ©1973; p. 234 Harem Pants in upper left of page.

*Spiegel*; F/W, 1992; p. 162—Trousers on left of page.

Primary Examiner—Celia Murphy

Attorney, Agent, or Firm—Virgil P. Quirk

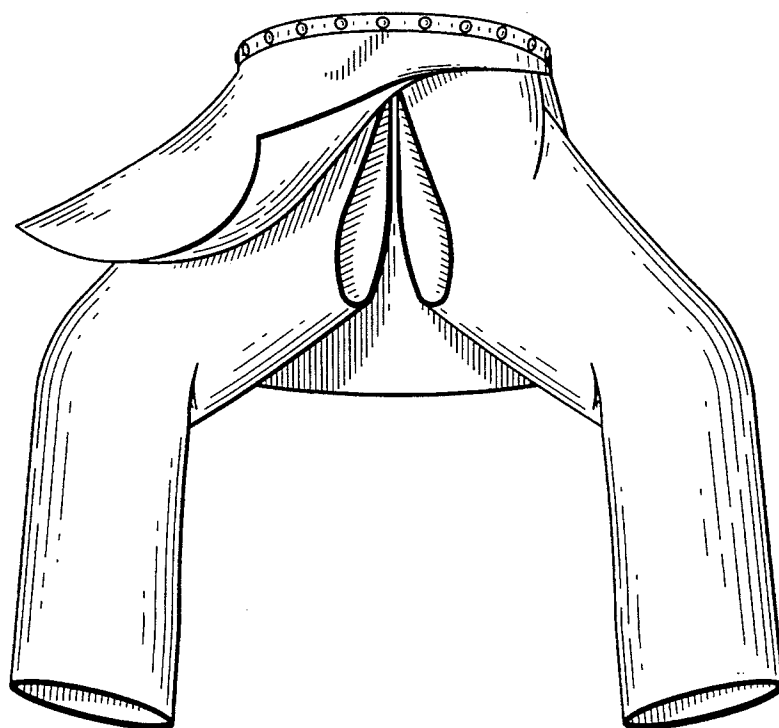
### [57] CLAIM

The ornamental design for a combination skirt and trousers, as shown and described.

### DESCRIPTION

FIG. 1 is a perspective view of a combination skirt and trousers showing my new design;  
 FIG. 2 is a front elevational view thereof;  
 FIG. 3 is a rear elevational view thereof;  
 FIG. 4 is a left side elevational view thereof;  
 FIG. 5 is a right side elevational view thereof;  
 FIG. 6 is a top plan view thereof;  
 FIG. 7 is a bottom plan view thereof;  
 FIG. 8 is a perspective view thereof, shown in a condition of use, the skirt being shown raised;  
 FIG. 9 is a front perspective view of the trouser portion;  
 FIG. 10 is a front perspective view of the skirt portion; and,  
 FIG. 11 is a right side elevational view of FIG. 10.

1 Claim, 5 Drawing Sheets



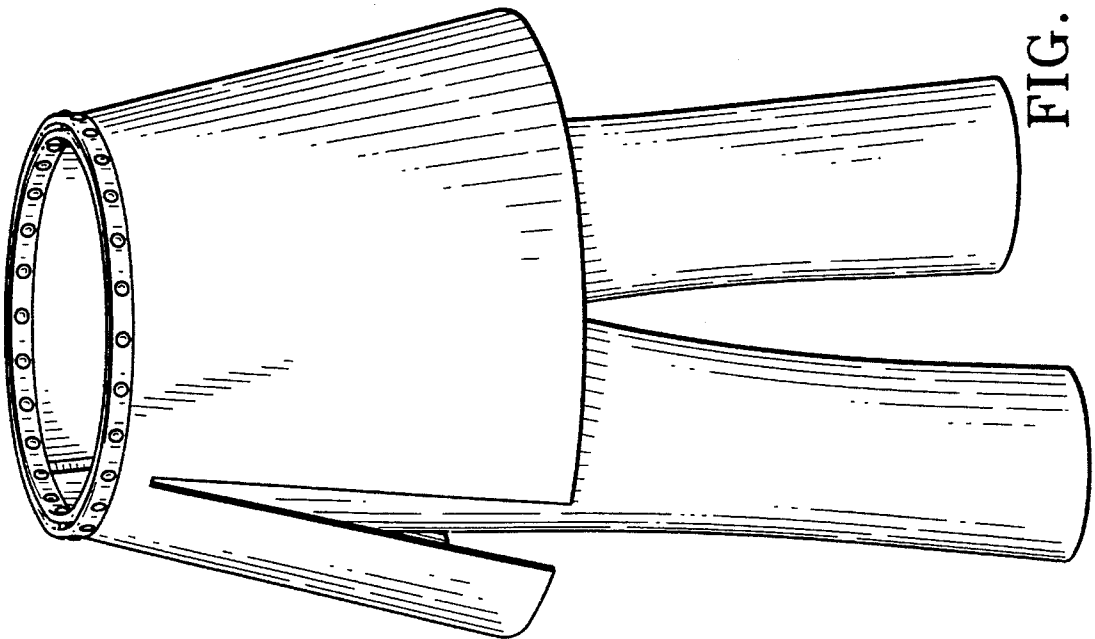


FIG. 1

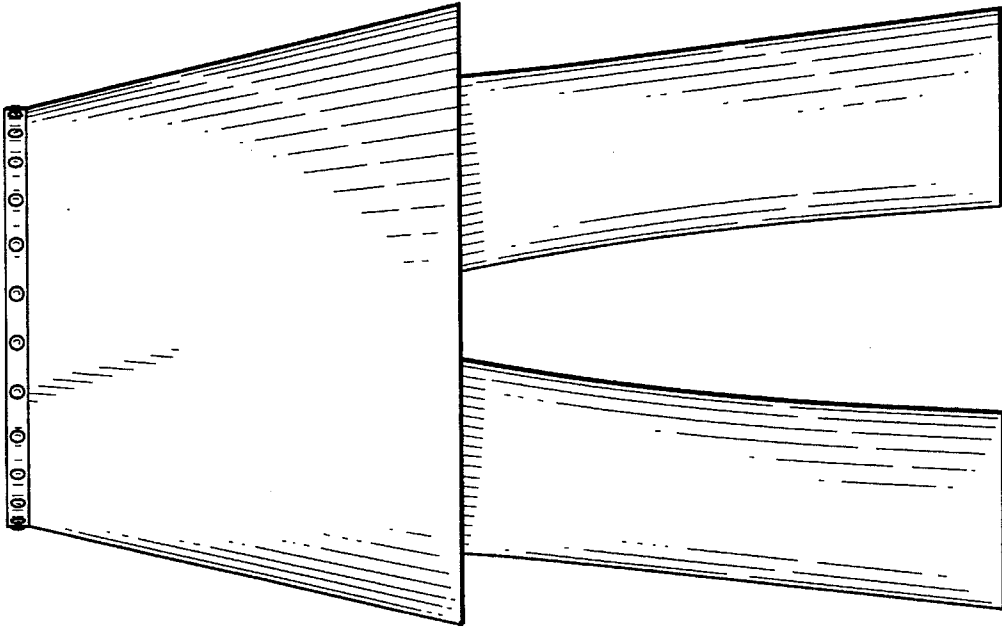


FIG. 2

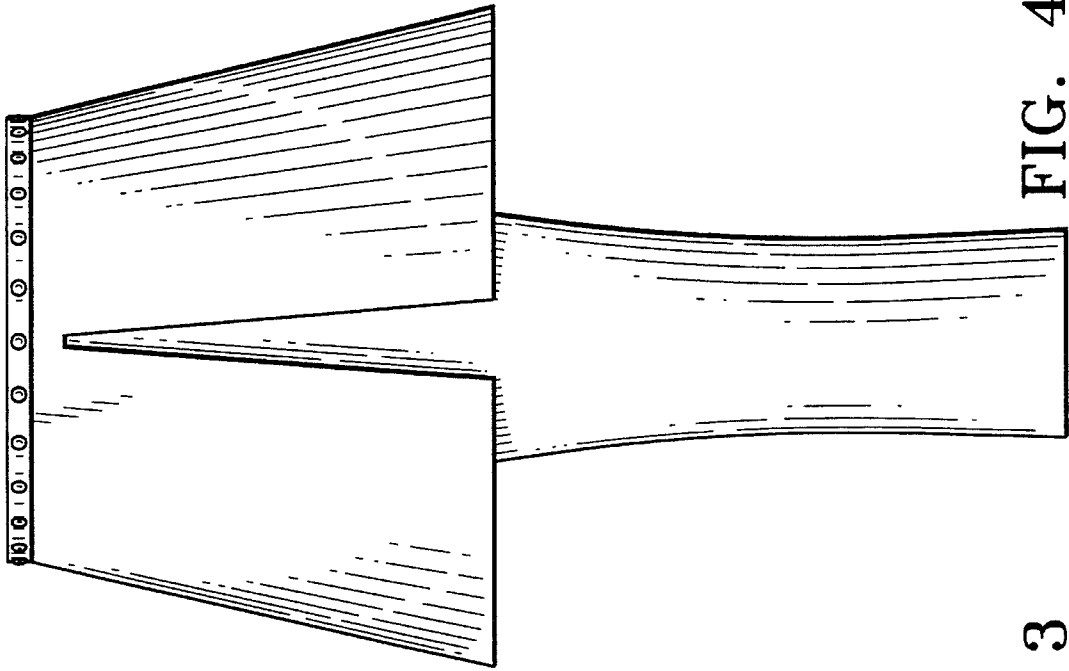


FIG. 3

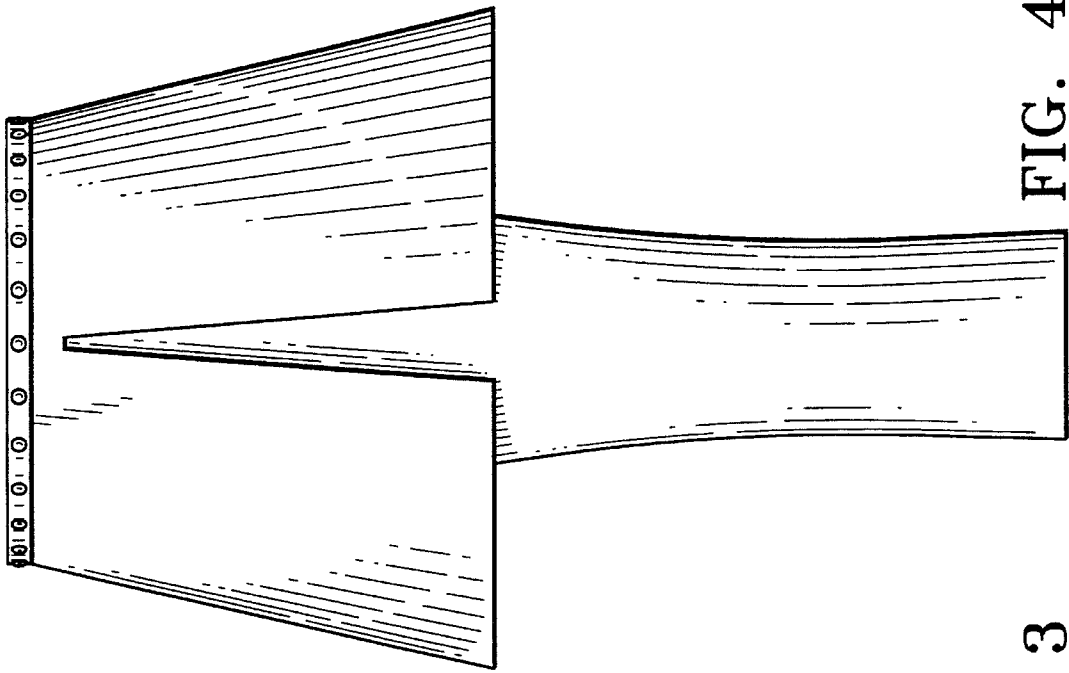


FIG. 4

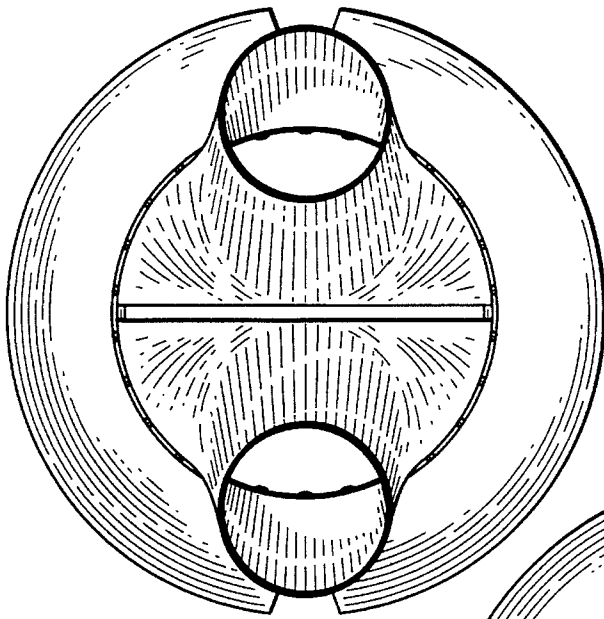


FIG. 7

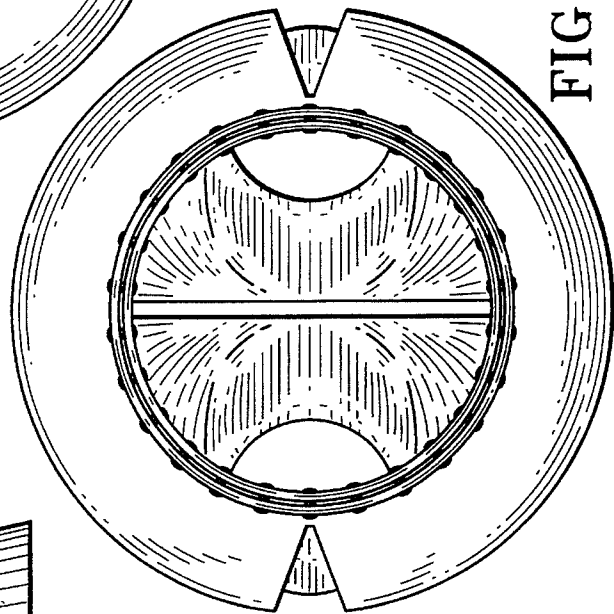


FIG. 6

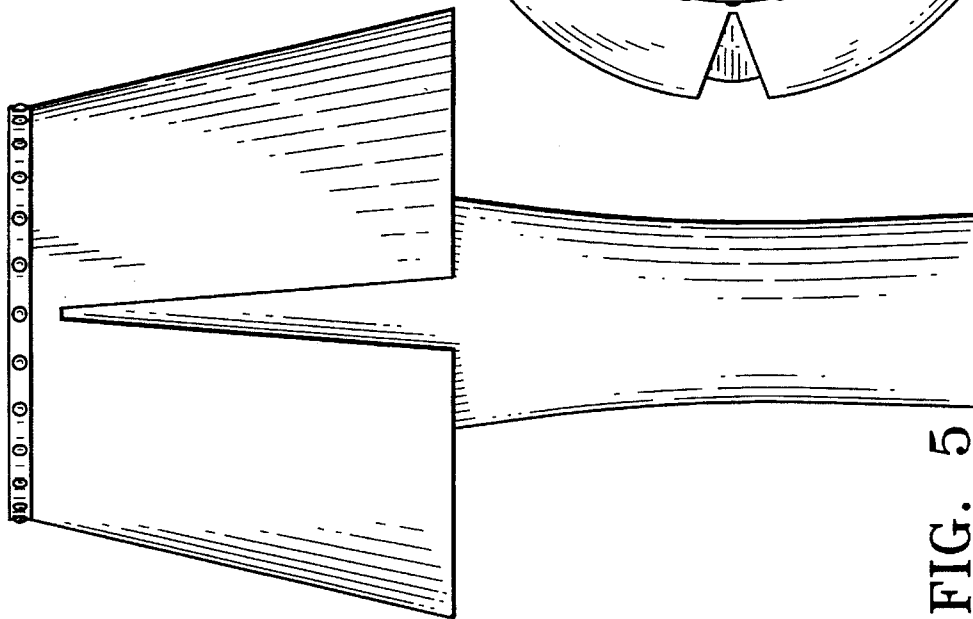


FIG. 5

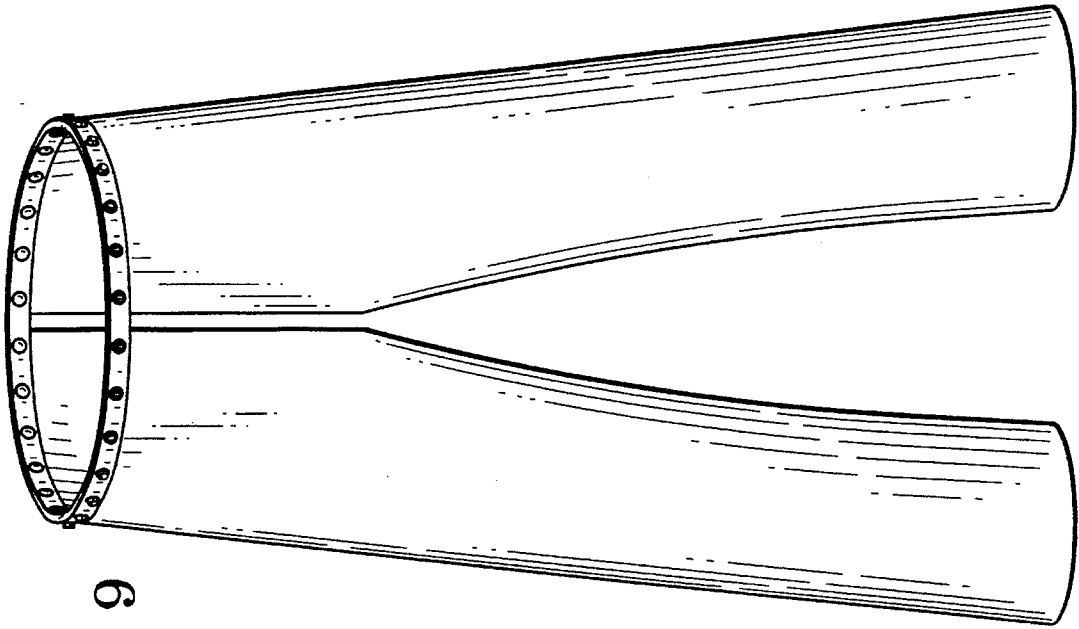


FIG. 9

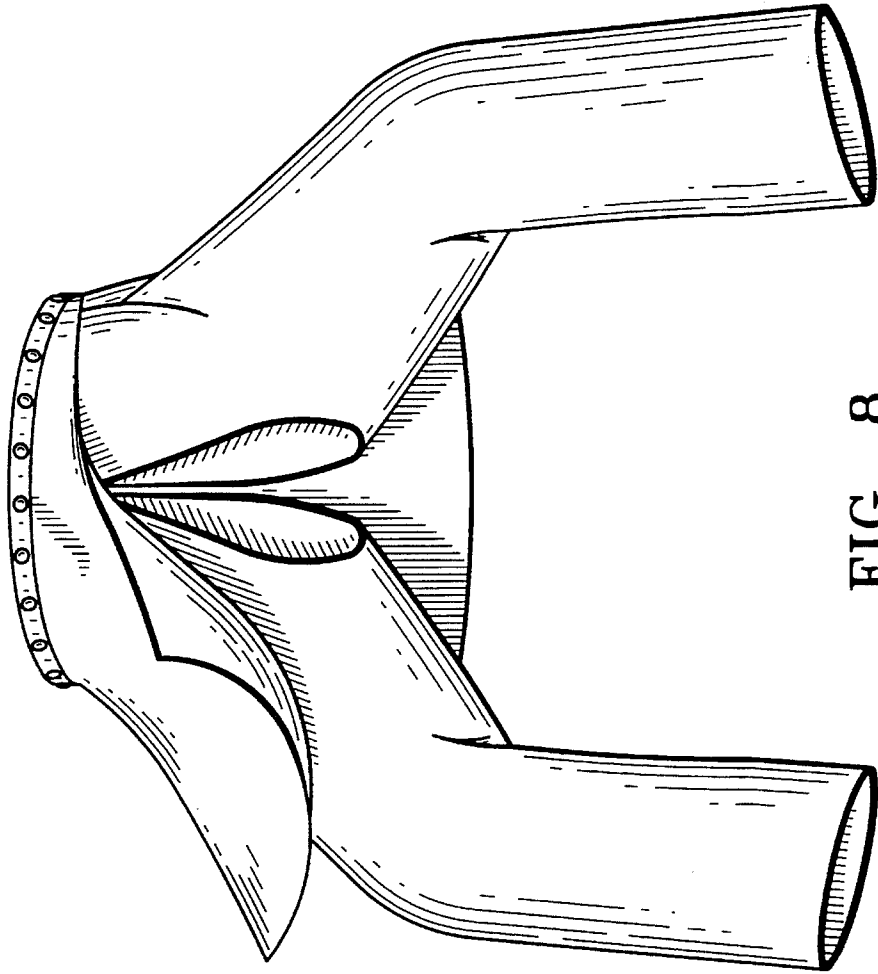


FIG. 8

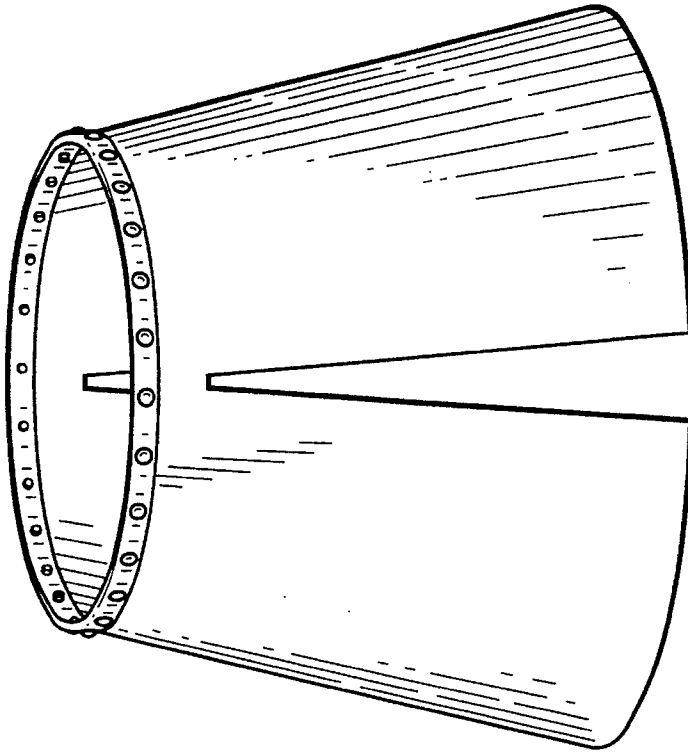


FIG. 11

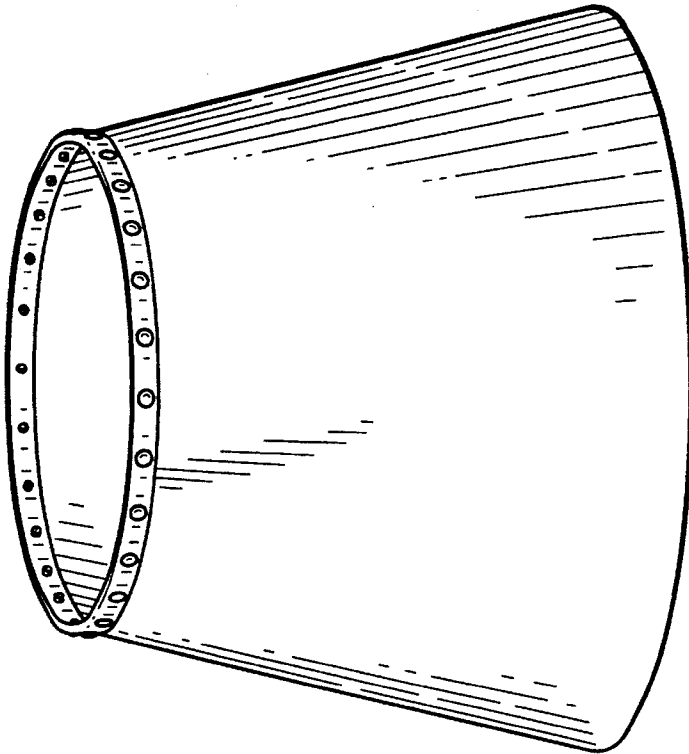


FIG. 10