



US0D1072995S

(12) **United States Design Patent**
Lah

(10) **Patent No.:** **US D1,072,995 S**

(45) **Date of Patent:** **** Apr. 29, 2025**

- (54) **TENT**
- (71) Applicant: **JKL CORPORATION**, Seoul (KR)
- (72) Inventor: **Jeh Kun Lah**, Seoul (KR)
- (73) Assignee: **JKL Corporation**, Seoul (KR)
- (**) Term: **15 Years**
- (21) Appl. No.: **35/518,430**
- (22) Filed: **Aug. 28, 2023**
- (80) **Hague Agreement Data**

Int. Filing Date: **Aug. 28, 2023**
 Int. Reg. No.: **DM/231521**
 Int. Reg. Date: **Aug. 28, 2023**
 Int. Reg. Pub. Date: **Sep. 22, 2023**

(30) **Foreign Application Priority Data**

Mar. 6, 2023 (KR) 30-2023-0008134

(51) **LOC (15) Cl.** **21-04**

(52) **U.S. Cl.** **D21/834**
USPC **D21/834**

(58) **Field of Classification Search**

USPC D21/834–835, 837–839, 506, 511;
 D25/18–22, 31
 CPC E04H 15/00; E04H 15/18; E04H 15/20;
 E04H 15/32; E04H 15/34; E04H 15/44;
 E04H 15/46; E04H 15/48; E04H 15/50;
 E04H 15/006; E04H 15/04; E04H 15/36;
 E04H 15/425; E04H 15/58; E04H 15/40;
 E04H 15/60; E04H 15/42; E04H 15/54;
 E04H 15/28; E04H 15/62; E04H 15/64;
 E04H 2015/201

See application file for complete search history.

(56) **References Cited**

U.S. PATENT DOCUMENTS

- 2,900,994 A * 8/1959 Igoe E04H 15/20
52/2.19
- 3,198,200 A * 8/1965 Sanders E04H 15/001
52/2.18
- 3,840,919 A * 10/1974 Middleton E04H 15/20
52/2.21
- 3,899,854 A * 8/1975 Huddle E04B 1/3205
D25/21

(Continued)

FOREIGN PATENT DOCUMENTS

CN 307194340 * 3/2022
 GB 6261787 * 2/2023

(Continued)

OTHER PUBLICATIONS

“Industrial shelter tent Model: XL-203012R,” 2016, en.machinerypark.com, site visited May 15, 2024, URL: https://en.machinerypark.com/construction-tents/industrial-shelter-tent-model-xl-203012r-new-w-6-1m*-1-9-15-m*h-3-66-m-new-syzm5221mf?area_id=7&category_id=307&path=%2Fconstruction-tents (Year: 2016).*

(Continued)

Primary Examiner — Lauren D McVey

Assistant Examiner — Sarah L Smith

(74) *Attorney, Agent, or Firm* — REISING ETHINGTON, P.C.

(57) **CLAIM**

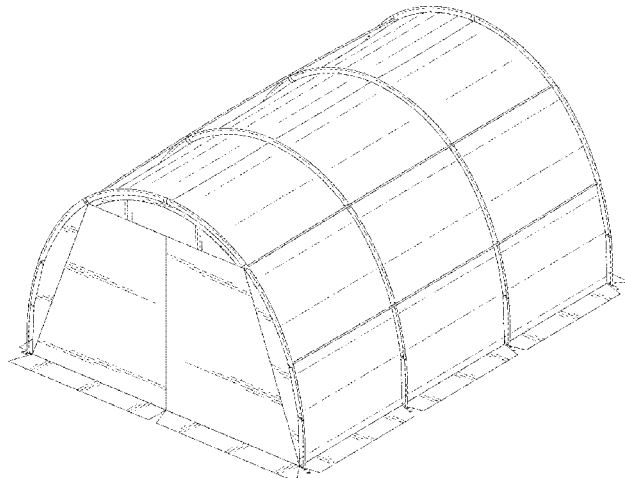
The ornamental design for a tent as shown and described.

DESCRIPTION

- 1. Tent
- 1.1 : Perspective
- 1.2 : Front
- 1.3 : Back
- 1.4 : Left
- 1.5 : Right
- 1.6 : Top

In the drawings, the broken lines illustrate portions of the article which form no part of the claimed design.

1 Claim, 6 Drawing Sheets



(56)

References Cited

U.S. PATENT DOCUMENTS

D428,595 S * 7/2000 Salinas D12/404
D749,686 S * 2/2016 Gilmore D21/834
D1,014,686 S * 2/2024 Cai D21/837
D1,024,250 S * 4/2024 Lah D21/834
2008/0142061 A1 * 6/2008 Novak E04H 15/20
135/116
2013/0104947 A1 * 5/2013 Hotes E04H 15/34
135/96
2015/0315808 A1 * 11/2015 Cronk E04H 15/322
135/121
2018/0245367 A1 * 8/2018 Grieshop E04H 15/36
2020/0190844 A1 * 6/2020 Ribner E04H 15/50

FOREIGN PATENT DOCUMENTS

WO WO-2020082512 A1 * 4/2020 E04H 15/006
WO D231521-001 * 9/2023

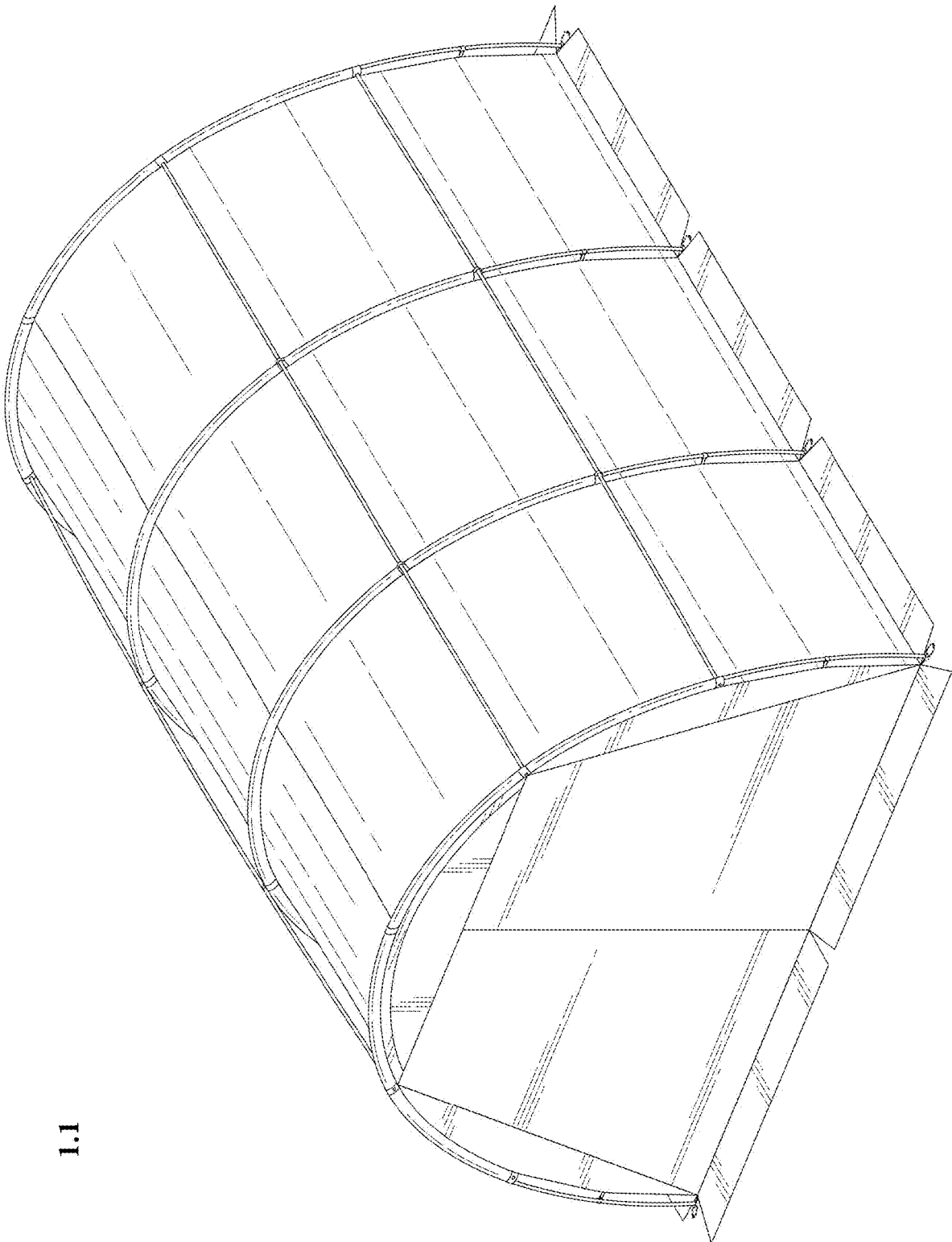
OTHER PUBLICATIONS

“(Unused) 2020 Golden Mount S203012R-300GSM PE,” 2020, jeffmartinauctioneers.com, site visited May 15, 2024, URL: <https://www.jeffmartinauctioneers.com/auctions/96/lot/25034-unused-2020-golden-mount-s203012r-300gsm-pe-dome-storage-shelter-csa-tuv> (Year: 2020).*

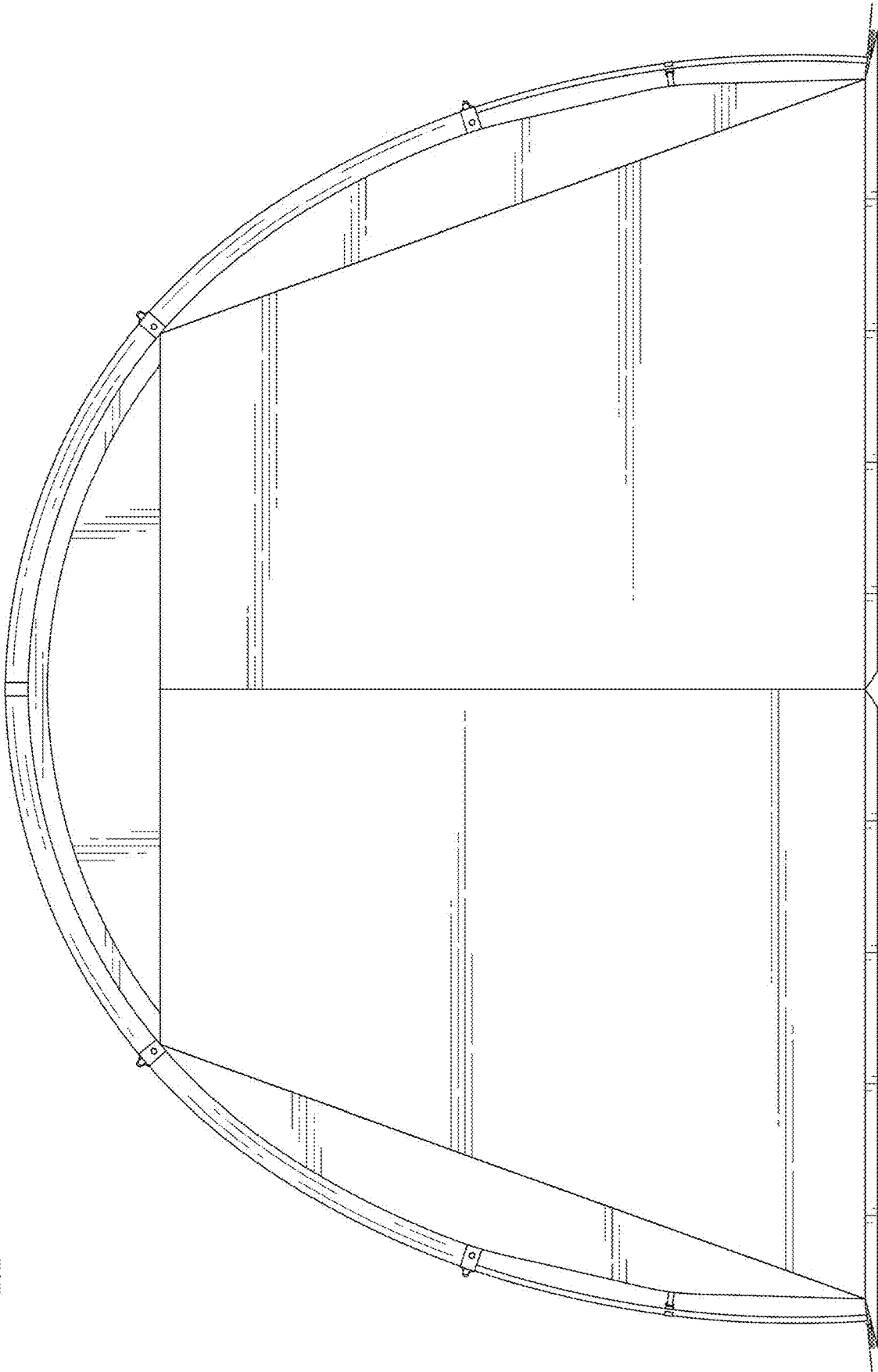
“Vevor Walk-in Tunnel Greenhouse,” Jul. 18, 2022, amazon.ca, site visited May 15, 2024, URL: <https://www.amazon.ca/VEVOR-Tunnel-Greenhouse-12-Galvanized/dp/B0B6TPT8DX/> (Year: 2022).*

“Gorilla Outdoors,” Feb. 5, 2024, facebook.com, site visited May 15, 2024, URL: https://www.facebook.com/GorillaOutdoors/posts/738835661686740/?paipv=0&eav=Afa1DQ0rS_Vpd1ZSXISJqXsafshmt_KKnwhna1OdquFYI_vzOeJB3CJqMnP7qxt7tF0&_rdr (Year: 2024).*

* cited by examiner

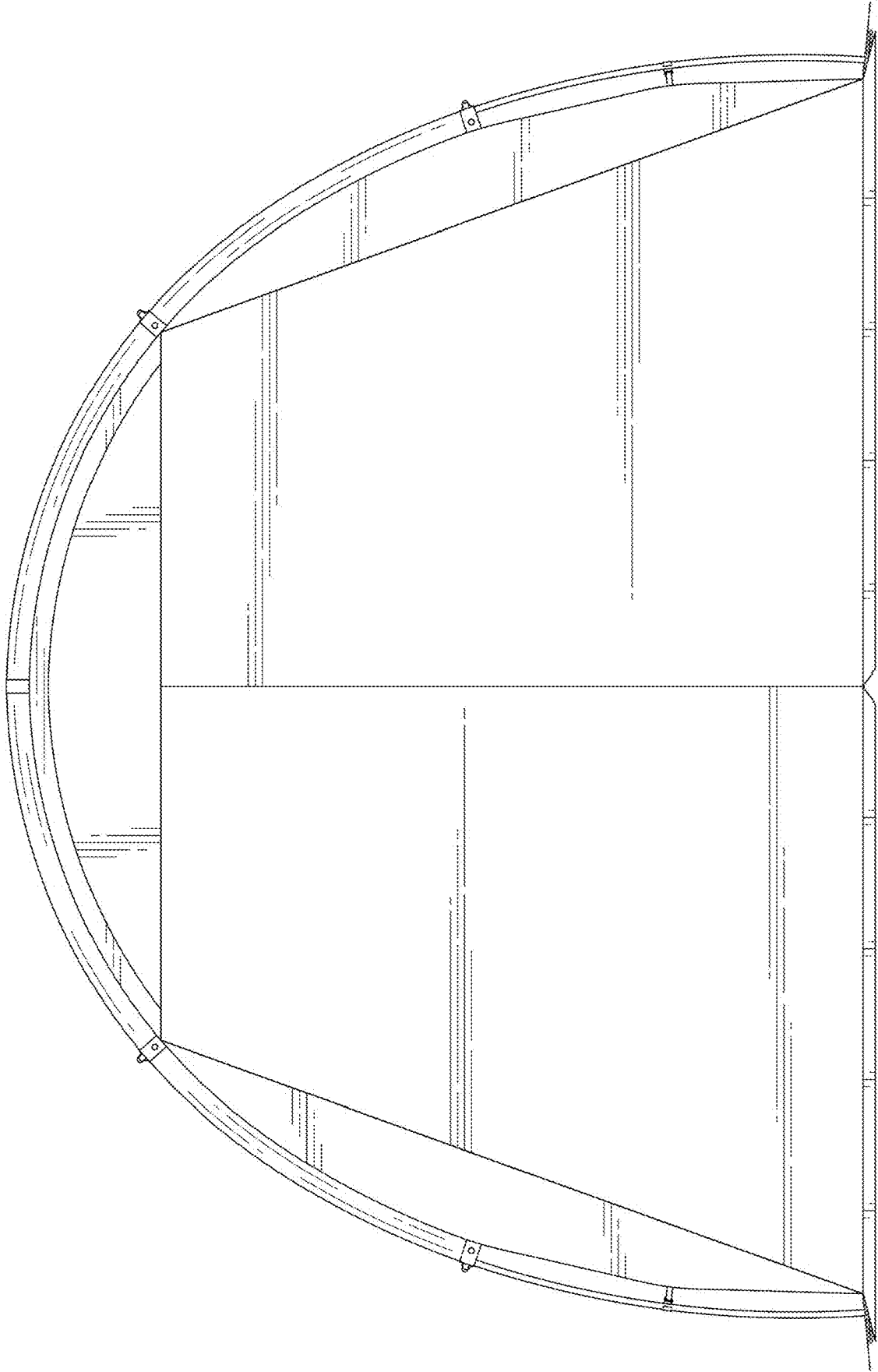


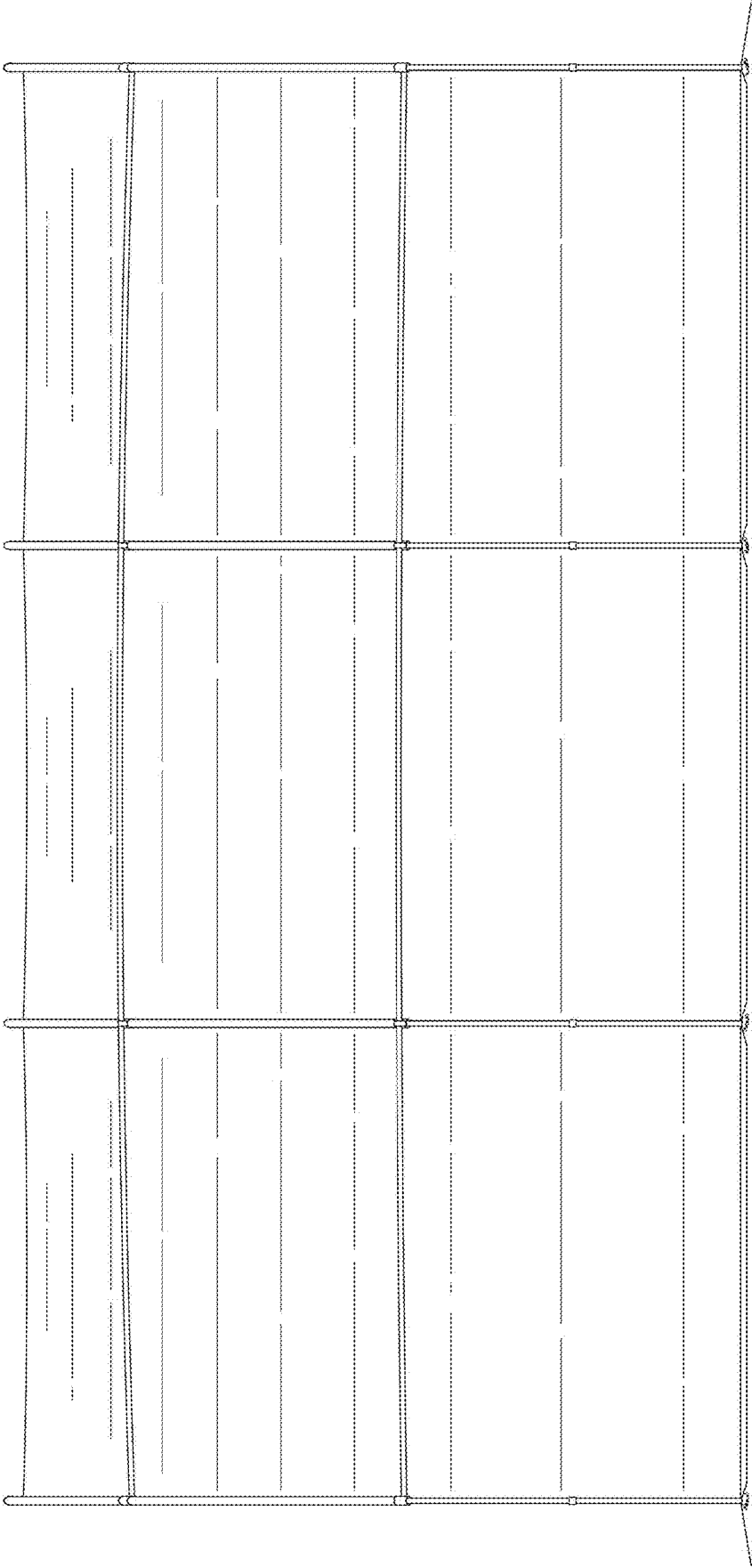
1.1



1.2

1.3





1.4

1.5



1.6

