



US00D775100S

(12) **United States Design Patent**  
**Teruyama**

(10) **Patent No.:** **US D775,100 S**

(45) **Date of Patent:** **\*\* Dec. 27, 2016**

(54) **PORTABLE TERMINAL**

(71) Applicant: **KYOCERA Corporation**, Kyoto-shi,  
Kyoto (JP)

(72) Inventor: **Kosuke Teruyama**, Yokohama (JP)

(73) Assignee: **KYOCERA Corporation**, Kyoto-shi,  
Kyoto (JP)

(\*\*) Term: **14 Years**

(21) Appl. No.: **29/520,341**

(22) Filed: **Mar. 13, 2015**

(30) **Foreign Application Priority Data**

Feb. 20, 2015 (JP) ..... 2015-003501

(51) **LOC (10) Cl.** ..... **14-03**

(52) **U.S. Cl.**  
USPC ..... **D14/138 G**

(58) **Field of Classification Search**  
USPC ..... D14/138 R, 138 AA, 138 AB, 138 AC,  
D14/138 AD, 138 G, 248, 341-347  
CPC ..... H04M 1/0202; H04M 1/0235; H04M  
1/0237; H04M 1/0239; H04M 2250/52  
See application file for complete search history.

(56) **References Cited**

**U.S. PATENT DOCUMENTS**

D531,177 S \* 10/2006 Okanoya ..... D14/346  
D576,598 S \* 9/2008 Lim ..... D14/138 AA  
D602,456 S \* 10/2009 Aithal ..... D14/138 AA  
D610,110 S \* 2/2010 Lee ..... D14/138 AA  
D618,648 S \* 6/2010 Bang ..... D14/138 AA  
D641,354 S \* 7/2011 Hsu ..... D14/341  
D643,006 S \* 8/2011 Han ..... D14/138 G  
D654,049 S \* 2/2012 Chung ..... D14/138 G

D687,806 S \* 8/2013 Hachiya ..... D14/138 G  
D693,322 S \* 11/2013 Jeong ..... D14/138 AA  
D694,751 S \* 12/2013 Ju ..... D14/341  
D694,752 S \* 12/2013 Li ..... D14/341  
D711,346 S \* 8/2014 Ismail ..... D14/137  
D716,249 S \* 10/2014 Zhang ..... D14/138 G  
D716,294 S \* 10/2014 Park ..... D14/341  
D719,565 S \* 12/2014 Hirayama ..... D14/341  
D721,348 S \* 1/2015 Plaschke ..... D14/138 AA  
D734,748 S \* 7/2015 Chen ..... D14/341  
D734,749 S \* 7/2015 Chen ..... D14/341  
D743,392 S \* 11/2015 Ju ..... D14/341

**OTHER PUBLICATIONS**

catphones.com, Retrieved on Mar. 12, 2015, from URL: <http://www.catphones.com/phones/s50-smartphone/>.  
samsung.com, Retrieved on Mar. 12, 2015, from URL: [http://www.samsung.com/t/galaxys5\\_active/](http://www.samsung.com/t/galaxys5_active/).

\* cited by examiner

*Primary Examiner* — Deanna L Pratt  
(74) *Attorney, Agent, or Firm* — Kenja IP Law PC

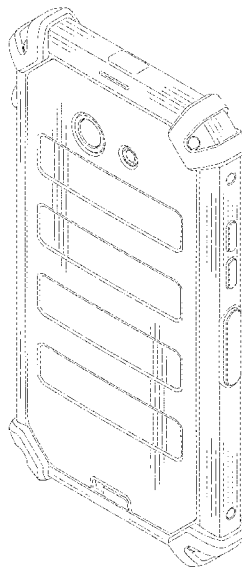
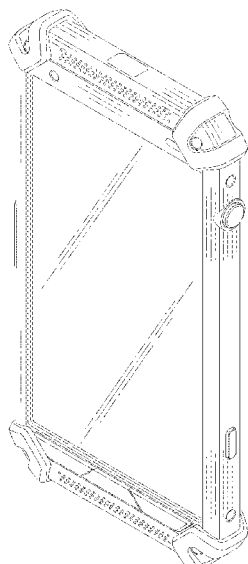
(57) **CLAIM**

The ornamental design for a portable terminal, as shown and described.

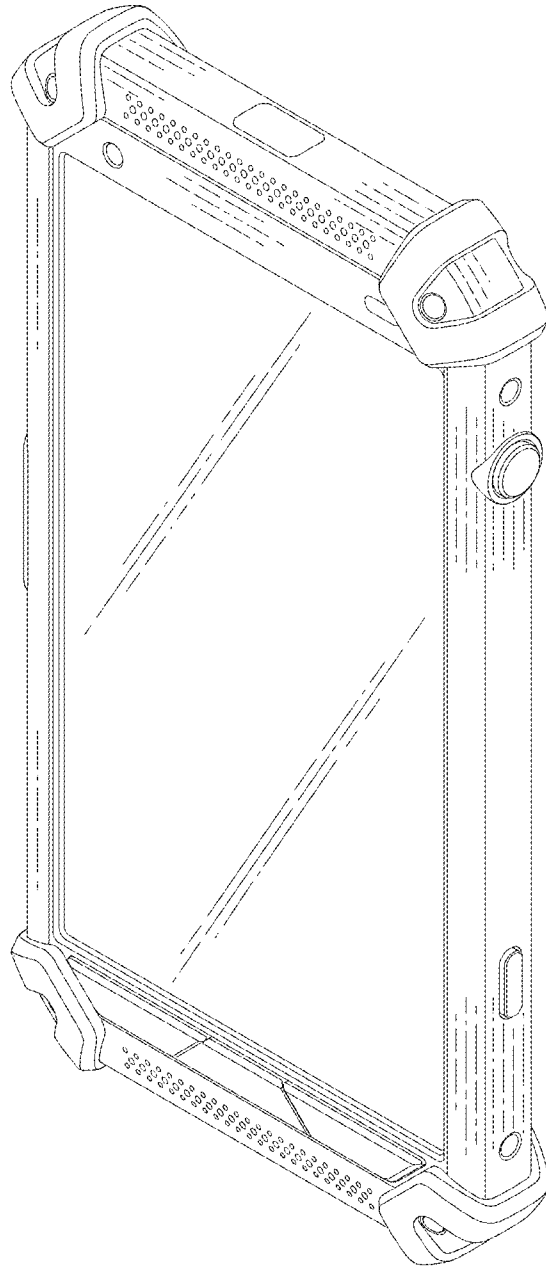
**DESCRIPTION**

FIG. 1 is a front perspective view of a portable terminal showing my new design;  
FIG. 2 is a rear perspective view thereof;  
FIG. 3 is a front view thereof;  
FIG. 4 is a rear view thereof;  
FIG. 5 is a top plan view thereof;  
FIG. 6 is a bottom view thereof;  
FIG. 7 is a right side view thereof; and,  
FIG. 8 is a left side view thereof.

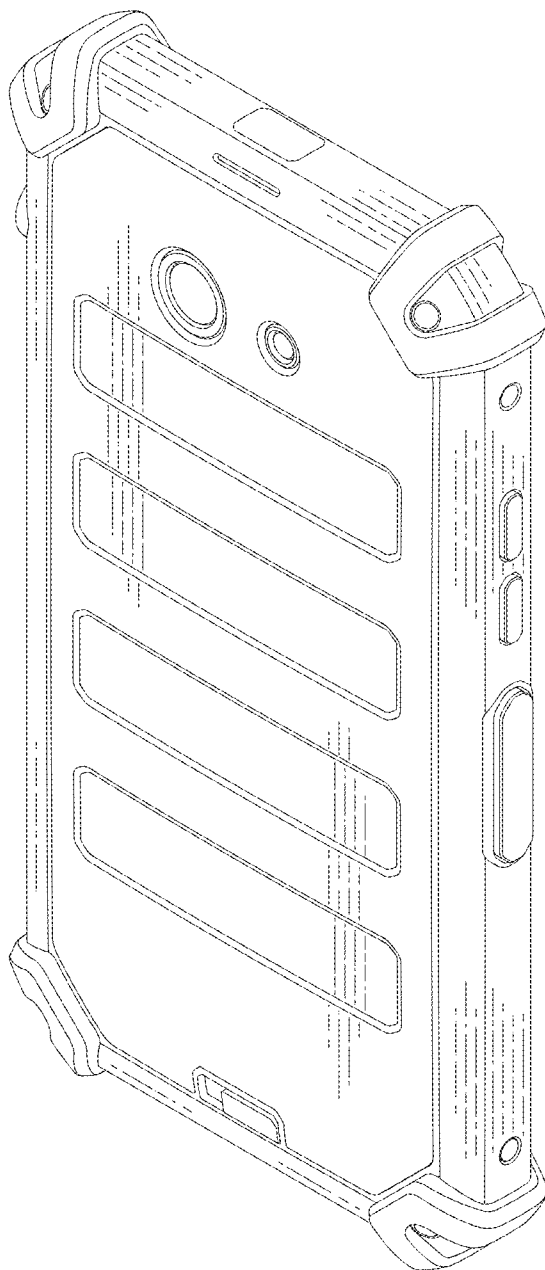
**1 Claim, 8 Drawing Sheets**



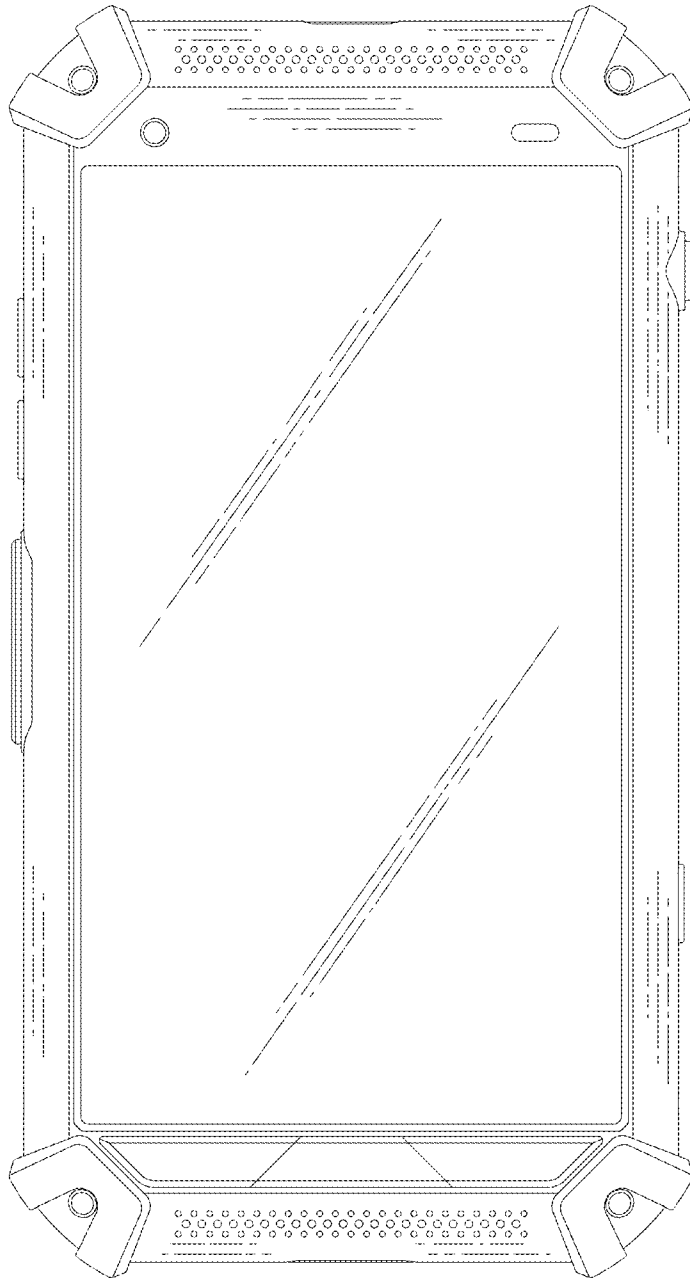
*FIG. 1*



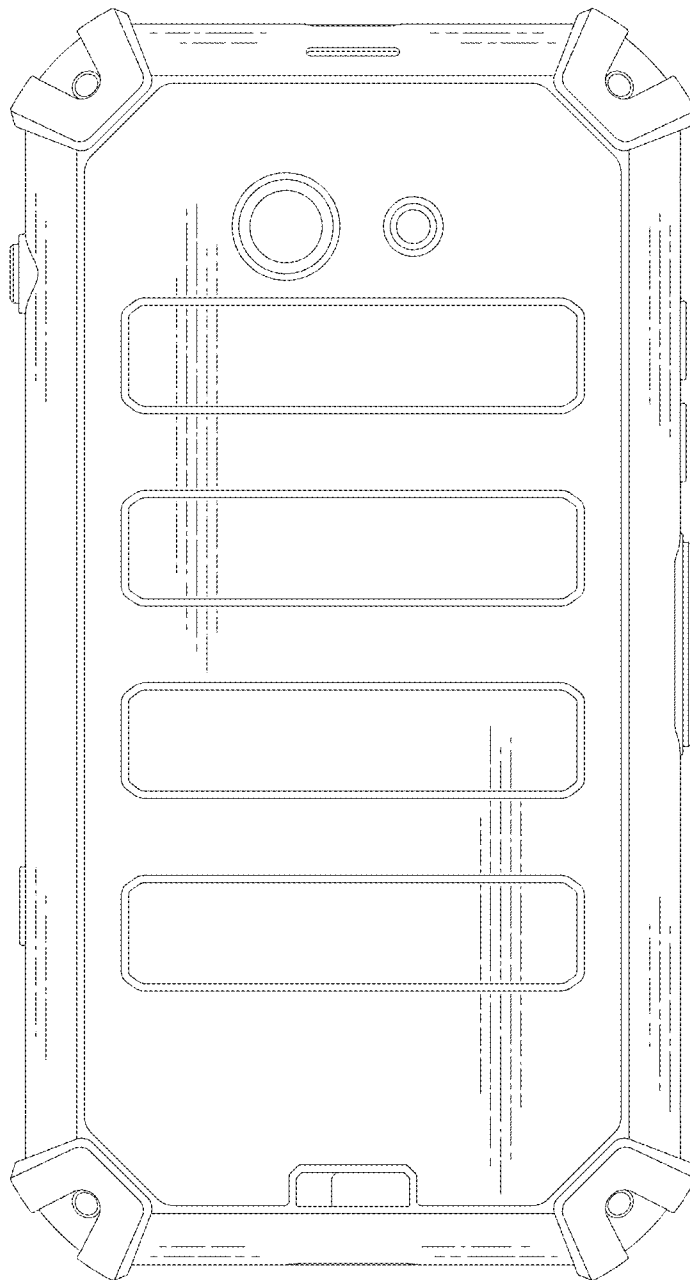
*FIG. 2*



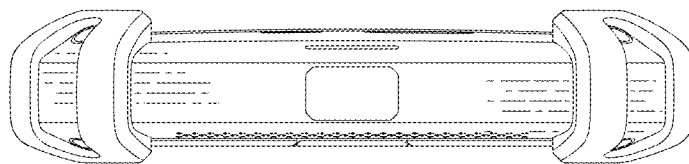
*FIG. 3*



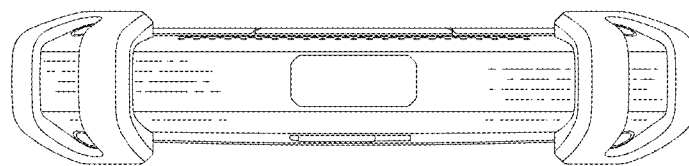
*FIG. 4*



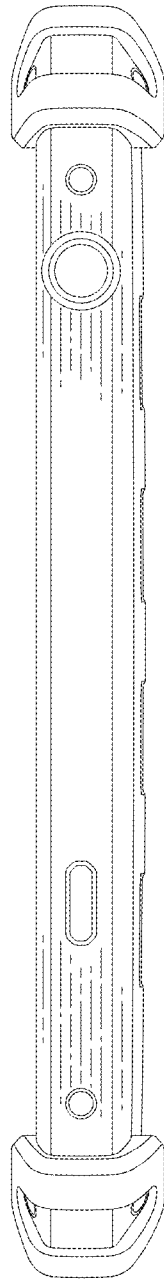
*FIG. 5*



*FIG. 6*



*FIG. 7*





*FIG. 8*

