



US00D841400S

(12) **United States Design Patent**
Lum et al.

(10) **Patent No.:** **US D841,400 S**

(45) **Date of Patent:** **** Feb. 26, 2019**

- (54) **MUG**
- (71) Applicant: **80 PERCENT ARMS, INC.**, Santa Ana, CA (US)
- (72) Inventors: **Myk Lum**, Irvine, CA (US); **William Yeh**, Lake Forest, CA (US); **Kasin Chan**, Corona, CA (US)
- (73) Assignee: **80 Percent Arms Inc.**, Garden Grove, CA (US)
- (**) Term: **15 Years**
- (21) Appl. No.: **29/577,847**
- (22) Filed: **Sep. 15, 2016**
- (51) **LOC (11) Cl.** **07-01**
- (52) **U.S. Cl.**
USPC **D7/523; D7/531; D7/532**
- (58) **Field of Classification Search**
USPC D7/507, 509, 510, 511, 523, 529, 530, D7/531, 532, 533, 536, 608, 598, 300.1, D7/320, 629, 392.1, 396.2, 396.6, 387, D7/667; D9/435, 436, 443, 452, 453, D9/447, 440, 503; 220/592.16, 592.17, 220/705, 495.03; 215/381; D3/202
CPC A47G 19/22; A47G 19/2205; A47G 19/2211; A47G 19/2266; A47G 19/2272; A45F 3/16; B65D 47/066
See application file for complete search history.

D364,538 S *	11/1995	Hughes	D7/608
6,237,820 B1 *	5/2001	Saxton	A45F 3/16 215/395
D489,939 S *	5/2004	Allanson	D7/510
D504,280 S *	4/2005	Chuang	D7/530
D510,681 S *	10/2005	Liu	D7/523
D533,747 S *	12/2006	Jin	D7/510
D573,839 S *	7/2008	Sun	D7/510
D597,298 S *	8/2009	Lown	D3/202
D620,317 S	7/2010	Lundberg		
D620,759 S *	8/2010	Lundberg	D7/509
D628,442 S	12/2010	Lundberg		
D640,133 S *	6/2011	Jones	D9/430
8,813,996 B2 *	8/2014	Steih	B65D 1/0223 215/381
D714,590 S *	10/2014	Liotta	D7/515
D717,653 S *	11/2014	Chur	D9/435
D743,206 S *	11/2015	Pendleton	D7/509
D748,480 S *	2/2016	Cobb	D9/516

(Continued)

Primary Examiner — Marianne N Pandozzi

Assistant Examiner — Jae Liang

(74) *Attorney, Agent, or Firm* — Knobbe Martens Olson & Bear LLP

(57) **CLAIM**

The ornamental design for a mug, as shown and described.

DESCRIPTION

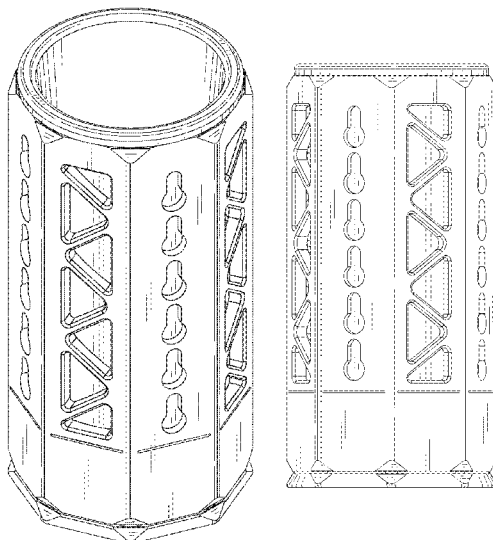
FIG. 1 is a front perspective view of a mug showing our new design;
 FIG. 2 is a top view thereof;
 FIG. 3 is a right side view thereof;
 FIG. 4 is a left side view thereof;
 FIG. 5 is a front view thereof;
 FIG. 6 is a back view thereof; and,
 FIG. 7 is a bottom view thereof.
 The broken lines in the drawings depict portions of the design that form no part of the claim.

1 Claim, 3 Drawing Sheets

(56) **References Cited**

U.S. PATENT DOCUMENTS

D46,646 S *	11/1914	Whipple	D7/531
D217,630 S *	5/1970	Walmer	D7/531
D254,714 S *	4/1980	Mascia	D9/767
4,705,085 A *	11/1987	Brown	B65D 81/3881 206/522
5,178,281 A *	1/1993	Enzu	B65D 81/03 137/846



(56)

References Cited

U.S. PATENT DOCUMENTS

D760,528	S *	7/2016	Szekely	D3/202
D777,514	S *	1/2017	McMullin	D7/400
D786,668	S *	5/2017	Cornaglia	D9/418
D788,873	S *	6/2017	Wiley	D22/108
D791,606	S *	7/2017	Cobb	D9/566
D792,777	S *	7/2017	Huls	D9/538
2003/0000911	A1 *	1/2003	Kelley	B65D 1/0223 215/381
2014/0110411	A1 *	4/2014	Saslekov	B65D 5/60 220/495.03
2016/0206122	A1 *	7/2016	Walter	A47G 19/2211

* cited by examiner

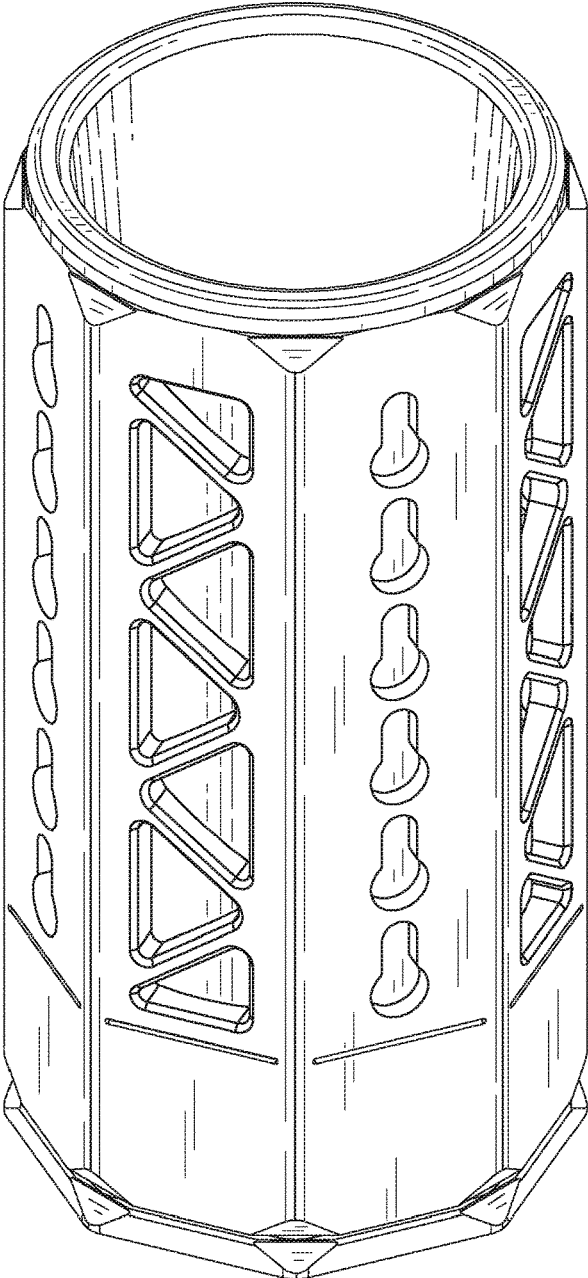


FIG. 1

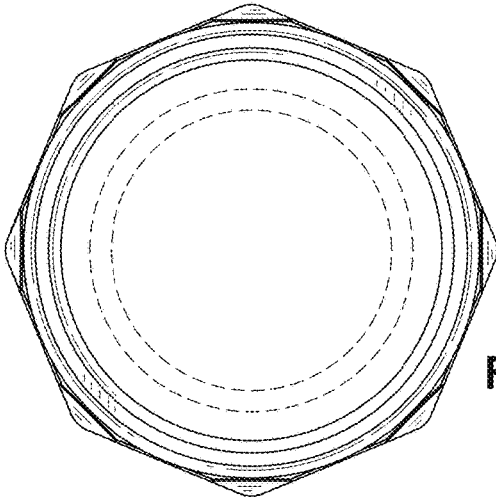


FIG. 2

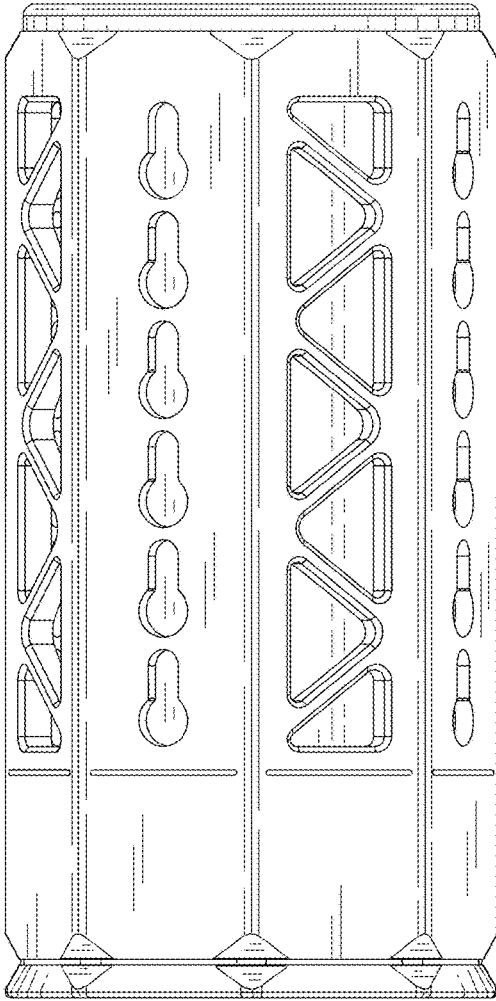


FIG. 3

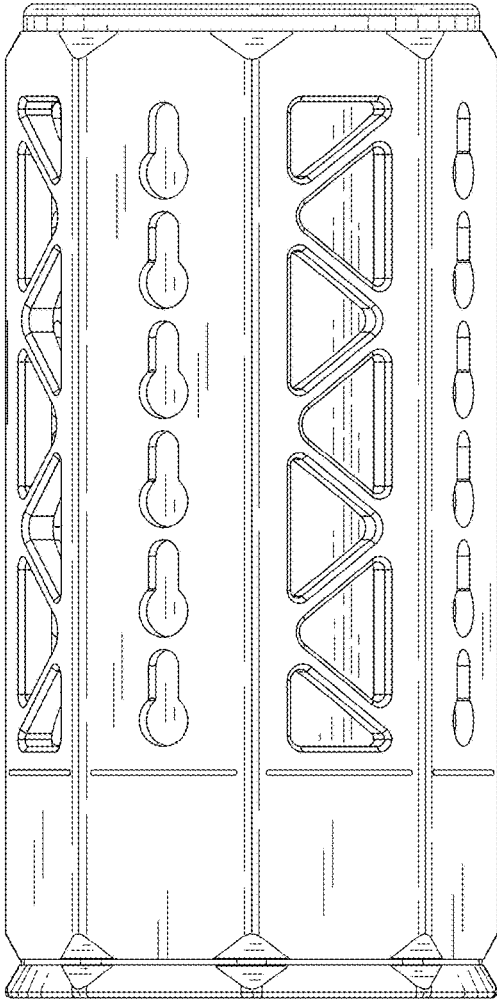


FIG. 4

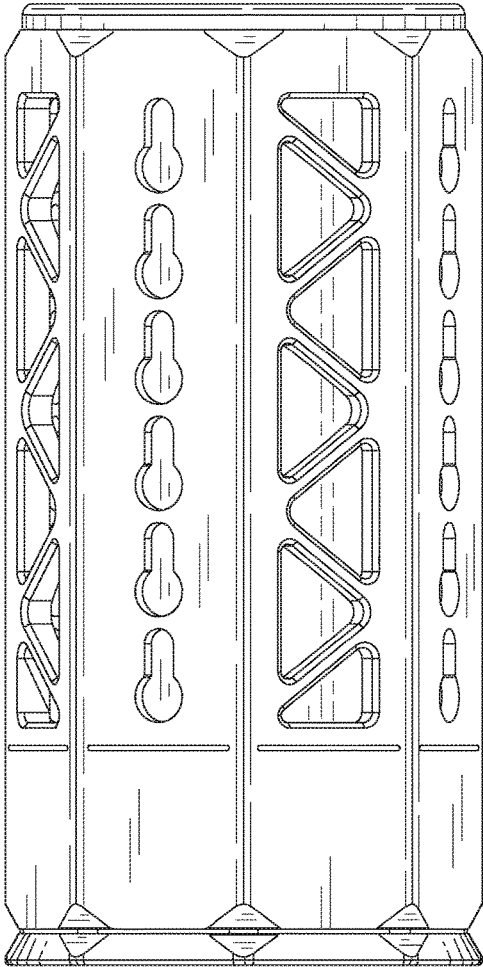


FIG. 5

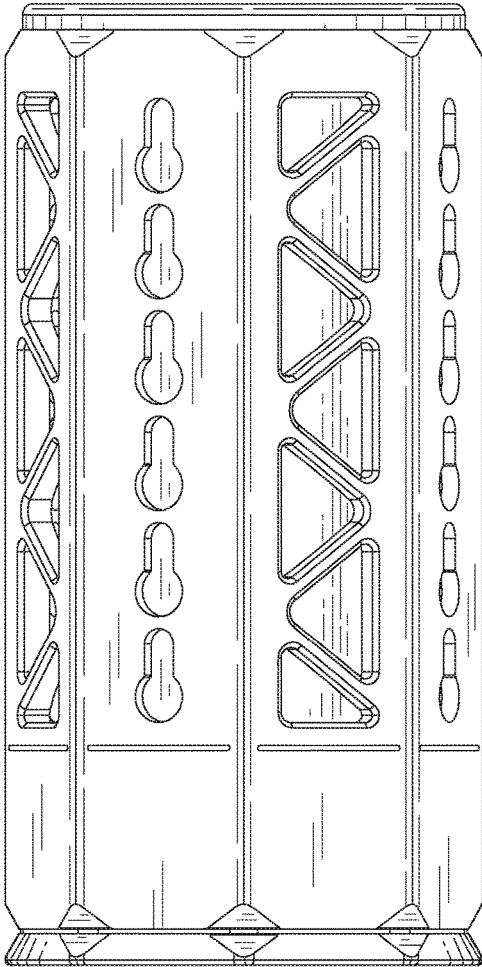


FIG. 6

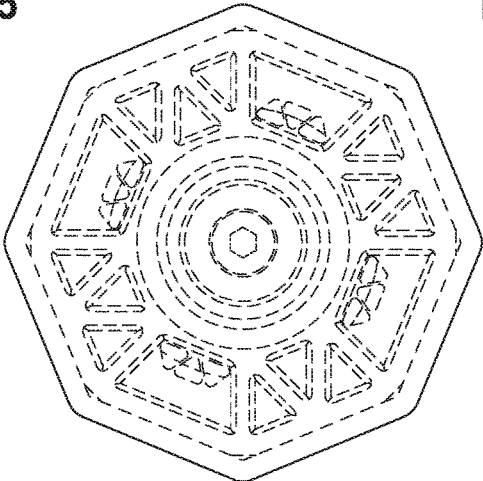


FIG. 7