

(19) World Intellectual Property
Organization
International Bureau



(43) International Publication Date
6 May 2005 (06.05.2005)

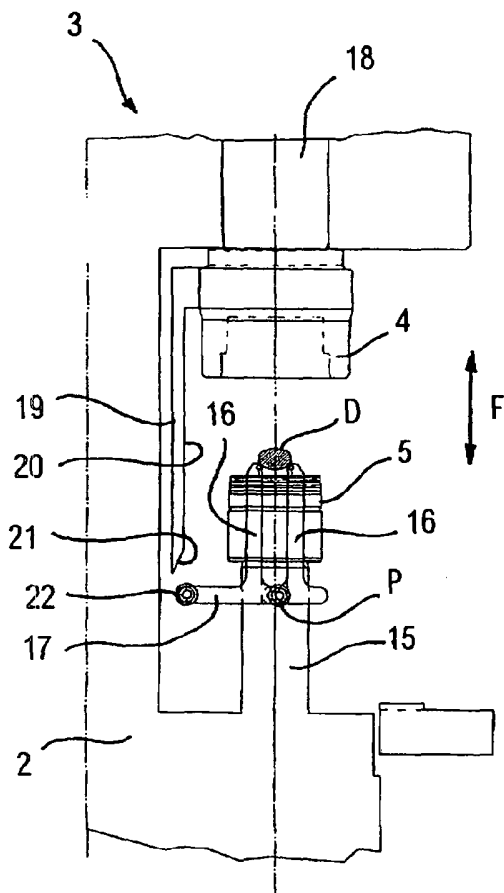
PCT

(10) International Publication Number
WO 2005/039853 A3

- (51) International Patent Classification⁷: **B29C 31/04**, 43/08, 43/34, 31/10, B65D 41/04, 47/08 // B29C 43/52, 43/20
- (21) International Application Number: PCT/EP2004/011968
- (22) International Filing Date: 22 October 2004 (22.10.2004)
- (25) Filing Language: English
- (26) Publication Language: English
- (30) Priority Data: MO2003A000289 23 October 2003 (23.10.2003) IT
- (71) Applicant (for all designated States except US): **SACMI COOPERATIVA MECCANICI IMOLA SOCIETA' COOPERATIVA** [IT/IT]; Via Selice Provinciale, 17/A, I-40026 Imola (IT).
- (72) Inventors; and
- (75) Inventors/Applicants (for US only): **BERGAMI, Stefano** [IT/IT]; Via Madonnina, 1715, I-40024 Castel San Pietro Terme (IT). **MARTELLI, Paolo** [IT/IT]; Vicolo Canatieri, 3, I-48022 Lugo (IT). **PUCCI, Fabrizio** [IT/IT]; Via 2 Agosto 1980, 8, I-40023 Castel Guelfo (IT).
- (74) Agent: **LUPPI, Luigi**; Luppi & Associati S.R.L., Foro Buonaparte, 68, I-20121 Milano (IT).
- (81) Designated States (unless otherwise indicated, for every kind of national protection available): AE, AG, AL, AM, AT, AU, AZ, BA, BB, BG, BR, BW, BY, BZ, CA, CH, CN, CO, CR, CU, CZ, DE, DK, DM, DZ, EC, EE, EG, ES, FI, GB, GD, GE, GH, GM, HR, HU, ID, IL, IN, IS, JP, KE, KG, KP, KR, KZ, LC, LK, LR, LS, LT, LU, LV, MA, MD, MG, MK, MN, MW, MX, MZ, NA, NI, NO, NZ, OM, PG, PH, PL, PT, RO, RU, SC, SD, SE, SG, SK, SL, SY, TJ, TM, TN, TR, TT, TZ, UA, UG, US, UZ, VC, VN, YU, ZA, ZM, ZW.

[Continued on next page]

(54) Title: COMPRESSION MOULDING APPARATUS, METHODS AND ITEM



(57) Abstract: An apparatus comprises a moulding unit (3; 3a) having a punch (5; 5a) and a mould cavity (4; 4a) movable along a path between an open position in which said punch (5; 5a) and said mould cavity (4; 4a) are distanced apart from each other to receive a dose (D) of plastics therebetween, and a closed position in which said punch (5; 5a) and said mould cavity (4; 4a) interact to form an item by pressing said dose (D), said punch (5; 5a) being kept not above said cavity (4; 4a) along said path.

WO 2005/039853 A3



(84) Designated States (unless otherwise indicated, for every kind of regional protection available): ARIPO (BW, GH, GM, KE, LS, MW, MZ, NA, SD, SL, SZ, TZ, UG, ZM, ZW), Eurasian (AM, AZ, BY, KG, KZ, MD, RU, TJ, TM), European (AT, BE, BG, CH, CY, CZ, DE, DK, EE, ES, FI, FR, GB, GR, HU, IE, IT, LU, MC, NL, PL, PT, RO, SE, SI, SK, TR), OAPI (BF, BJ, CF, CG, CI, CM, GA, GN, GQ, GW, ML, MR, NE, SN, TD, TG).

BG, CH, CY, CZ, DE, DK, EE, ES, FI, FR, GB, GR, HU, IE, IT, LU, MC, NL, PL, PT, RO, SE, SI, SK, TR), OAPI patent (BF, BJ, CF, CG, CI, CM, GA, GN, GQ, GW, ML, MR, NE, SN, TD, TG)

- as to the applicant's entitlement to claim the priority of the earlier application (Rule 4.17(iii)) for the following designation US
- of inventorship (Rule 4.17(iv)) for US only

Declarations under Rule 4.17:

- as to applicant's entitlement to apply for and be granted a patent (Rule 4.17(ii)) for the following designations AE, AG, AL, AM, AT, AU, AZ, BA, BB, BG, BR, BW, BY, BZ, CA, CH, CN, CO, CR, CU, CZ, DE, DK, DM, DZ, EC, EE, EG, ES, FI, GB, GD, GE, GH, GM, HR, HU, ID, IL, IN, IS, JP, KE, KG, KP, KR, KZ, LC, LK, LR, LS, LT, LU, LV, MA, MD, MG, MK, MN, MW, MX, MZ, NA, NI, NO, NZ, OM, PG, PH, PL, PT, RO, RU, SC, SD, SE, SG, SK, SL, SY, TJ, TM, TN, TR, TT, TZ, UA, UG, UZ, VC, VN, YU, ZA, ZM, ZW, ARIPO patent (BW, GH, GM, KE, LS, MW, MZ, NA, SD, SL, SZ, TZ, UG, ZM, ZW), Eurasian patent (AM, AZ, BY, KG, KZ, MD, RU, TJ, TM), European patent (AT, BE,

Published:

- with international search report
- before the expiration of the time limit for amending the claims and to be republished in the event of receipt of amendments

(88) Date of publication of the international search report:

29 December 2005

For two-letter codes and other abbreviations, refer to the "Guidance Notes on Codes and Abbreviations" appearing at the beginning of each regular issue of the PCT Gazette.

INTERNATIONAL SEARCH REPORT

International Application No
PCT/EP2004/011968

A. CLASSIFICATION OF SUBJECT MATTER IPC 7 B29C31/04 B29C43/08 B29C43/34 B29C31/10 B65D41/04 B65D47/08 //B29C43/52, B29C43/20				
According to International Patent Classification (IPC) or to both national classification and IPC				
B. FIELDS SEARCHED				
Minimum documentation searched (classification system followed by classification symbols) IPC 7 B29C B65D				
Documentation searched other than minimum documentation to the extent that such documents are included in the fields searched				
Electronic data base consulted during the international search (name of data base and, where practical, search terms used) EPO-Internal, WPI Data, PAJ				
C. DOCUMENTS CONSIDERED TO BE RELEVANT				
Category °	Citation of document, with indication, where appropriate, of the relevant passages	Relevant to claim No.		
P, X	WO 03/090989 A (SACMI COOPERATIVA MECCANICI IMOLA S.C.R.L; BATTILANI, MAURO) 6 November 2003 (2003-11-06) page 3, line 26 - page 10, line 25; figures -----	1-50, 65-69, 77,78		
P, X	WO 03/090990 A (SACMI COOPERATIVA MECCANICI IMOLA S.C.R.L; PUCCI, FABRIZIO) 6 November 2003 (2003-11-06) page 4, line 9 - page 9, line 26; figures -----	1		
X	US 5 807 592 A (ALIERI ET AL) 15 September 1998 (1998-09-15) cited in the application column 2, line 5 - line 38; figures ----- -/--	1-7, 34		
<table style="width: 100%; border: none;"> <tr> <td style="width: 50%; border: none;"> <input checked="" type="checkbox"/> Further documents are listed in the continuation of box C. </td> <td style="width: 50%; border: none;"> <input checked="" type="checkbox"/> Patent family members are listed in annex. </td> </tr> </table>			<input checked="" type="checkbox"/> Further documents are listed in the continuation of box C.	<input checked="" type="checkbox"/> Patent family members are listed in annex.
<input checked="" type="checkbox"/> Further documents are listed in the continuation of box C.	<input checked="" type="checkbox"/> Patent family members are listed in annex.			
° Special categories of cited documents :				
<table style="width: 100%; border: none;"> <tr> <td style="width: 50%; border: none;"> "A" document defining the general state of the art which is not considered to be of particular relevance "E" earlier document but published on or after the international filing date "L" document which may throw doubts on priority claim(s) or which is cited to establish the publication date of another citation or other special reason (as specified) "O" document referring to an oral disclosure, use, exhibition or other means "P" document published prior to the international filing date but later than the priority date claimed </td> <td style="width: 50%; border: none;"> "T" later document published after the international filing date or priority date and not in conflict with the application but cited to understand the principle or theory underlying the invention "X" document of particular relevance; the claimed invention cannot be considered novel or cannot be considered to involve an inventive step when the document is taken alone "Y" document of particular relevance; the claimed invention cannot be considered to involve an inventive step when the document is combined with one or more other such documents, such combination being obvious to a person skilled in the art. "&" document member of the same patent family </td> </tr> </table>			"A" document defining the general state of the art which is not considered to be of particular relevance "E" earlier document but published on or after the international filing date "L" document which may throw doubts on priority claim(s) or which is cited to establish the publication date of another citation or other special reason (as specified) "O" document referring to an oral disclosure, use, exhibition or other means "P" document published prior to the international filing date but later than the priority date claimed	"T" later document published after the international filing date or priority date and not in conflict with the application but cited to understand the principle or theory underlying the invention "X" document of particular relevance; the claimed invention cannot be considered novel or cannot be considered to involve an inventive step when the document is taken alone "Y" document of particular relevance; the claimed invention cannot be considered to involve an inventive step when the document is combined with one or more other such documents, such combination being obvious to a person skilled in the art. "&" document member of the same patent family
"A" document defining the general state of the art which is not considered to be of particular relevance "E" earlier document but published on or after the international filing date "L" document which may throw doubts on priority claim(s) or which is cited to establish the publication date of another citation or other special reason (as specified) "O" document referring to an oral disclosure, use, exhibition or other means "P" document published prior to the international filing date but later than the priority date claimed	"T" later document published after the international filing date or priority date and not in conflict with the application but cited to understand the principle or theory underlying the invention "X" document of particular relevance; the claimed invention cannot be considered novel or cannot be considered to involve an inventive step when the document is taken alone "Y" document of particular relevance; the claimed invention cannot be considered to involve an inventive step when the document is combined with one or more other such documents, such combination being obvious to a person skilled in the art. "&" document member of the same patent family			
Date of the actual completion of the international search <div style="text-align: center; font-size: 1.2em;">11 October 2005</div>		Date of mailing of the international search report <div style="text-align: center; font-size: 1.2em;">27. 10. 2005</div>		
Name and mailing address of the ISA European Patent Office, P.B. 5818 Patentlaan 2 NL - 2280 HV Rijswijk Tel. (+31-70) 340-2040, Tx. 31 651 epo nl, Fax: (+31-70) 340-3016		Authorized officer <div style="text-align: center; font-size: 1.2em;">Topalidis, A</div>		

INTERNATIONAL SEARCH REPORT

International Application No

PCT/EP2004/011968

C.(Continuation) DOCUMENTS CONSIDERED TO BE RELEVANT		
Category °	Citation of document, with indication, where appropriate, of the relevant passages	Relevant to claim No.
X	US 4 943 405 A (KELLER ET AL) 24 July 1990 (1990-07-24) cited in the application column 4, line 28 - column 5, line 27; figures 3,4	41-50, 65-69, 77,78
A	US 4 913 871 A (KAWAGUCHI ET AL) 3 April 1990 (1990-04-03) column 5, line 66 - column 6, line 54; figures 2,3	1-50, 65-69
A	GB 874 084 A (ETABLISSEMENTS ALCA) 2 August 1961 (1961-08-02) page 2, line 51 - page 3, line 5; figures	1
A	EP 1 293 332 A (SACMI COOPERATIVA MECCANICI IMOLA S.C.R.L) 19 March 2003 (2003-03-19) column 5, line 17 - line 39; figure 4	1
A	US 3 135 019 A (AICHELE ERNEST O) 2 June 1964 (1964-06-02) column 5, line 33 - line 57; figure 1	1
E	US 2005/067735 A1 (KAUFMAN BRETT) 31 March 2005 (2005-03-31) paragraphs '0047! - '0049!; figures 14-16	58,70-76
X	US 4 873 045 A (FUJITA ET AL) 10 October 1989 (1989-10-10) column 1, line 15 - line 48; figures 5-8	58,70,76
X	WO 02/057063 A (SACMI - COOPERATIVA MECCANICI IMOLA - SOC. COOP. AR.L; PARRINELLO, FIO) 25 July 2002 (2002-07-25) figures; example 1	58,70,76
X	WO 01/68468 A (ALCOA CLOSURE SYSTEMS INTERNATIONAL, INC; LAVEAULT, RICHARD) 20 September 2001 (2001-09-20) page 9, line 19 - page 13, line 13; figures 3A-3G	72-74
X	FR 2 775 959 A (PLASTIQUES DE FRANCE INDUSTRIES) 17 September 1999 (1999-09-17) page 7, line 5 - line 22; figures 1-4	72-74
A	PATENT ABSTRACTS OF JAPAN vol. 1997, no. 12, 25 December 1997 (1997-12-25) & JP 09 216315 A (KISHIMOTO AKIRA), 19 August 1997 (1997-08-19) abstract	58,70-76
	----- -/--	

INTERNATIONAL SEARCH REPORT

International Application No
PCT/EP2004/011968

C.(Continuation) DOCUMENTS CONSIDERED TO BE RELEVANT

Category °	Citation of document, with indication, where appropriate, of the relevant passages	Relevant to claim No.
A	US 2003/116879 A1 (MUELLER BRUCE M ET AL) 26 June 2003 (2003-06-26) paragraph '0103! - paragraph '0124!; figures 11-17 -----	70-75

INTERNATIONAL SEARCH REPORT

International application No.
PCT/EP2004/011968

Box II Observations where certain claims were found unsearchable (Continuation of item 2 of first sheet)

This International Search Report has not been established in respect of certain claims under Article 17(2)(a) for the following reasons:

1. Claims Nos.:
because they relate to subject matter not required to be searched by this Authority, namely:

2. Claims Nos.:
because they relate to parts of the International Application that do not comply with the prescribed requirements to such an extent that no meaningful International Search can be carried out, specifically:

3. Claims Nos.:
because they are dependent claims and are not drafted in accordance with the second and third sentences of Rule 6.4(a).

Box III Observations where unity of invention is lacking (Continuation of item 3 of first sheet)

This International Searching Authority found multiple inventions in this international application, as follows:

see additional sheet

1. As all required additional search fees were timely paid by the applicant, this International Search Report covers all searchable claims.
2. As all searchable claims could be searched without effort justifying an additional fee, this Authority did not invite payment of any additional fee.
3. As only some of the required additional search fees were timely paid by the applicant, this International Search Report covers only those claims for which fees were paid, specifically claims Nos.:

1-50, 58, 65-69, 70-78
4. No required additional search fees were timely paid by the applicant. Consequently, this International Search Report is restricted to the invention first mentioned in the claims; it is covered by claims Nos.:

Remark on Protest

- The additional search fees were accompanied by the applicant's protest.
- No protest accompanied the payment of additional search fees.

FURTHER INFORMATION CONTINUED FROM PCT/ISA/ 210

This International Searching Authority found multiple (groups of) inventions in this international application, as follows:

1. claims: 1-50,65-69,77,78

Supporting a dose of material during feeding in the moulds

2. claims: 51-57

Severing a dose of material from an extruder

3. claims: 59-64

Conditioning a dose of material during feeding in the moulds

4. claims: 58,70-76

Compression moulding multi-layered items

INTERNATIONAL SEARCH REPORT
Information on patent family members

International Application No
PCT/EP2004/011968

Patent document cited in search report		Publication date	Patent family member(s)	Publication date
WO 03090989	A	06-11-2003	AU 2003239809 A1	10-11-2003
			BR 0309455 A	09-02-2005
			CA 2483153 A1	06-11-2003
			CN 1646283 A	27-07-2005
			EP 1499486 A1	26-01-2005
			IT B020020226 A1	23-10-2003
			JP 2005523186 T	04-08-2005
			US 2003198707 A1	23-10-2003
WO 03090990	A	06-11-2003	AU 2003233993 A1	10-11-2003
			BR 0309494 A	09-02-2005
			CA 2483151 A1	06-11-2003
			CN 1662353 A	31-08-2005
			EP 1497089 A1	19-01-2005
			IT B020020225 A1	23-10-2003
			US 2003198708 A1	23-10-2003
			US 5807592	A
AU 694520 B2	23-07-1998			
AU 2613395 A	18-12-1995			
BR 9507750 A	19-08-1997			
CA 2190949 A1	30-11-1995			
CN 1148825 A	30-04-1997			
DE 69506243 D1	07-01-1999			
DE 69506243 T2	29-04-1999			
WO 9532086 A1	30-11-1995			
EP 0759844 A1	05-03-1997			
ES 2125619 T3	01-03-1999			
IT B0940242 A1	23-11-1995			
JP 10500370 T	13-01-1998			
US 4943405	A	24-07-1990		
			CA 1317733 C	18-05-1993
			DE 3804464 C1	08-06-1989
			WO 8907516 A1	24-08-1989
			EP 0328096 A1	16-08-1989
			IN 172372 A1	10-07-1989
			JP 7061656 B	05-07-1995
			JP 2503176 T	04-10-1990
			SU 1757449 A3	23-08-1992
US 4913871	A	03-04-1990	GB 2178359 A	11-02-1987
			US 5110280 A	05-05-1992
GB 874084	A	02-08-1961	DE 1202472 B	07-10-1965
			FR 1160494 A	16-07-1958
EP 1293332	A	19-03-2003	IT B020010555 A1	14-03-2003
			US 2003066180 A1	10-04-2003
US 3135019	A	02-06-1964	NONE	
US 2005067735	A1	31-03-2005	WO 2005030456 A2	07-04-2005
US 4873045	A	10-10-1989	GB 2206835 A	18-01-1989
			JP 1018622 A	23-01-1989
			JP 2005035 C	11-01-1996
			JP 5020262 B	19-03-1993

INTERNATIONAL SEARCH REPORT
 Information on patent family members

International Application No
 PCT/EP2004/011968

Patent document cited in search report		Publication date	Patent family member(s)	Publication date
WO 02057063	A	25-07-2002	BR 0206443 A CN 1486238 A EP 1365904 A1 IT RE20010001 A1 JP 2004523383 T US 2004060894 A1	30-12-2003 31-03-2004 03-12-2003 18-07-2002 05-08-2004 01-04-2004
WO 0168468	A	20-09-2001	AU 3870801 A	24-09-2001
FR 2775959	A	17-09-1999	NONE	
JP 09216315	A	19-08-1997	JP 3555299 B2	18-08-2004
US 2003116879	A1	26-06-2003	AU 2002352539 A1 BR 0215061 A CA 2466660 A1 CN 1606490 A EP 1465758 A1 JP 2005514227 T WO 03057441 A1 US 2004169307 A1	24-07-2003 23-11-2004 17-07-2003 13-04-2005 13-10-2004 19-05-2005 17-07-2003 02-09-2004