



US00D742136S

(12) **United States Design Patent**
Flora

(10) **Patent No.:** **US D742,136 S**

(45) **Date of Patent:** **** Nov. 3, 2015**

(54) **FOLD-OUT CABINET BED**

(71) Applicant: **Iqbal Singh Flora**, Abbotsford (CA)

(72) Inventor: **Iqbal Singh Flora**, Abbotsford (CA)

(**) Term: **14 Years**

(21) Appl. No.: **29/492,093**

(22) Filed: **May 28, 2014**

(51) **LOC (10) Cl.** **06-02**

(52) **U.S. Cl.**
USPC **D6/384**

(58) **Field of Classification Search**

USPC D6/382-384, 393, 718.14

CPC A47C 19/22; A47C 19/20; A47C 17/52;

A47D 7/007

See application file for complete search history.

(56) **References Cited**

U.S. PATENT DOCUMENTS

102,012 A *	4/1870	Kelly	A47C 19/22
				312/292
915,651 A *	3/1909	Appel	A47C 17/58
				5/158
1,409,770 A *	3/1922	Piatkowski	A47C 17/60
				5/2.1
3,858,253 A *	1/1975	Lauzon	A47C 17/62
				312/279
D388,632 S *	1/1998	Kelley	D6/384
D443,997 S *	6/2001	Stout	D6/384
D530,938 S *	10/2006	Netto	D6/384
7,574,758 B2 *	8/2009	Arason	A47C 17/58
				5/136
D712,676 S *	9/2014	Flora	D6/384

* cited by examiner

Primary Examiner — Janice Seeger

(74) *Attorney, Agent, or Firm* — Mark A Hopkinson;
Hopkinson Intellectual Property Law

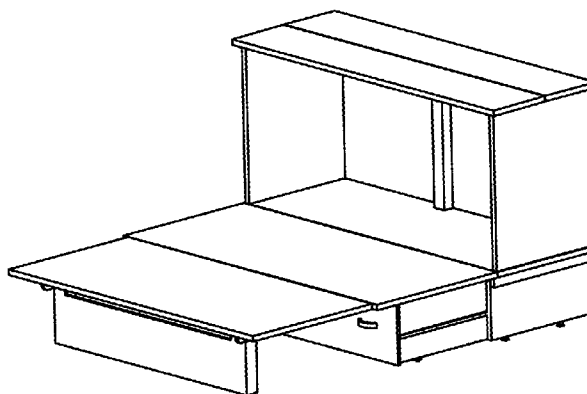
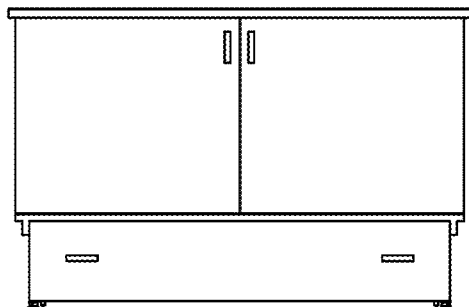
(57) **CLAIM**

The ornamental design for a fold-out cabinet bed, as shown and described.

DESCRIPTION

FIG. 1 is a front view of the design in a closed position; FIG. 2 is a rear view of the design in the closed position; FIG. 3 is a left side view of the design in the closed position, the right side view being a mirror image thereof; FIG. 4 is a top view of the design in the closed position; FIG. 5 is a bottom view of the design in the closed position; FIG. 6 is a perspective view of the design in a partially open position; FIG. 7 is a left side view of the design in the partially open position, the right side view being a mirror image thereof; FIG. 8 is a front view of the design in the partially open position; FIG. 9 is a perspective view of the design in a fully open position; FIG. 10 is a front view of the design in the fully open position; FIG. 11 is a rear view of the design in the fully open position; FIG. 12 is a top view of the design in the fully open position; FIG. 13 is a left side view of the design in the fully open position, the right side view being a mirror image thereof; and, FIG. 14 is a bottom view of the design in the fully open position.

1 Claim, 7 Drawing Sheets



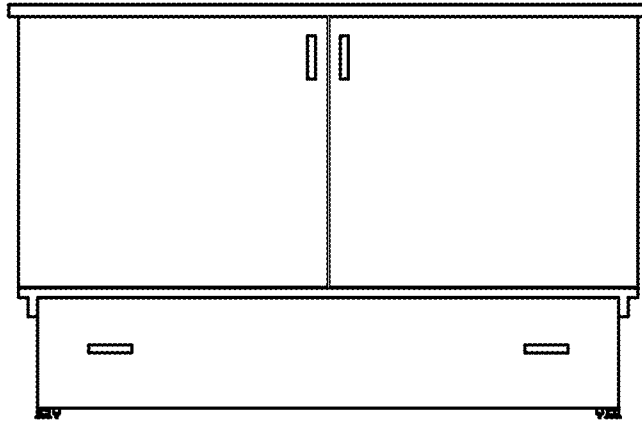


Fig. 1

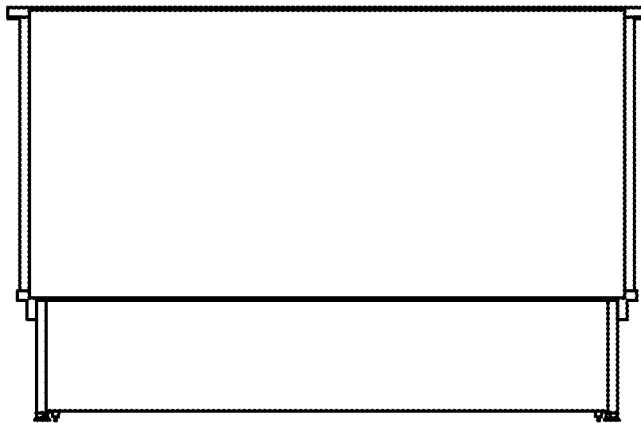


Fig. 2

Fig. 3

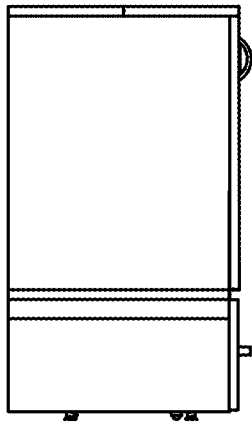


Fig. 4

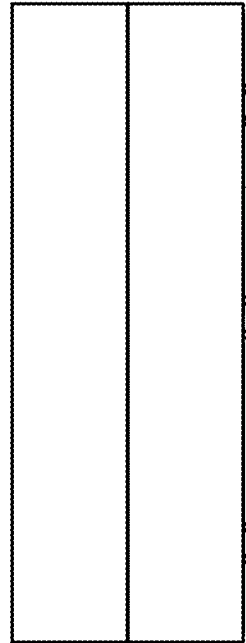
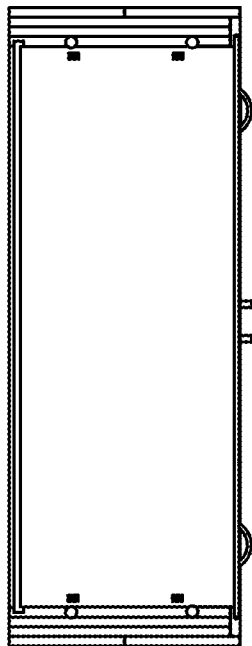


Fig. 5



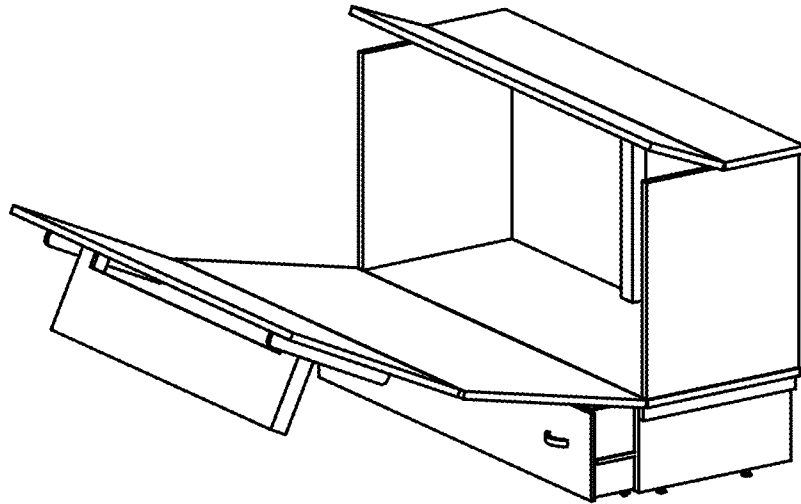


Fig. 6

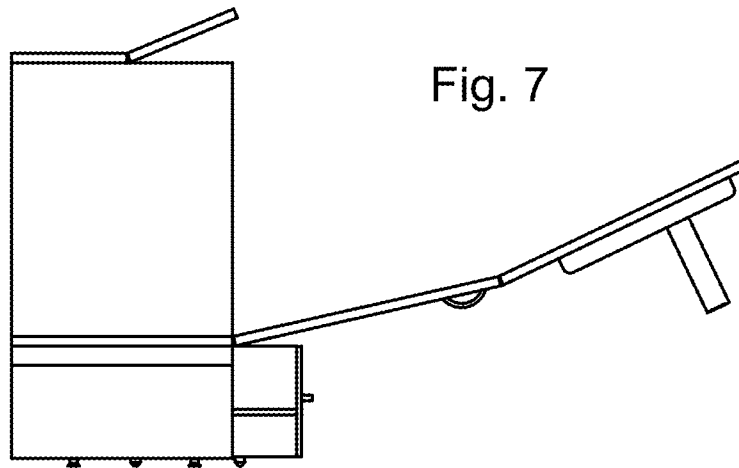


Fig. 7

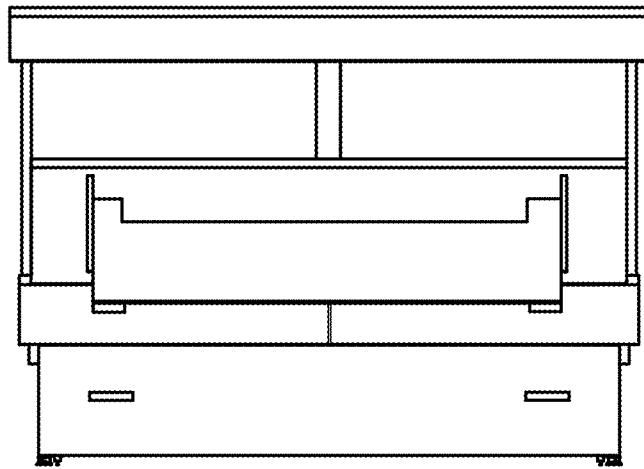


Fig. 8

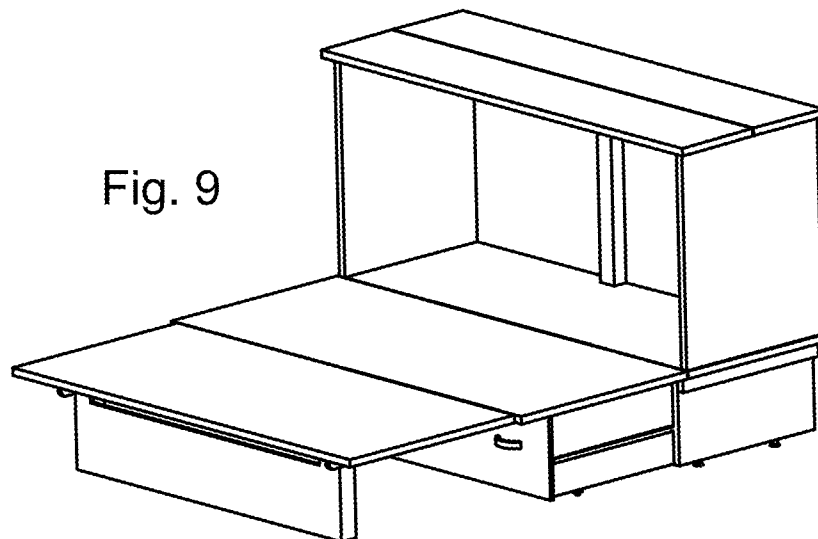


Fig. 9

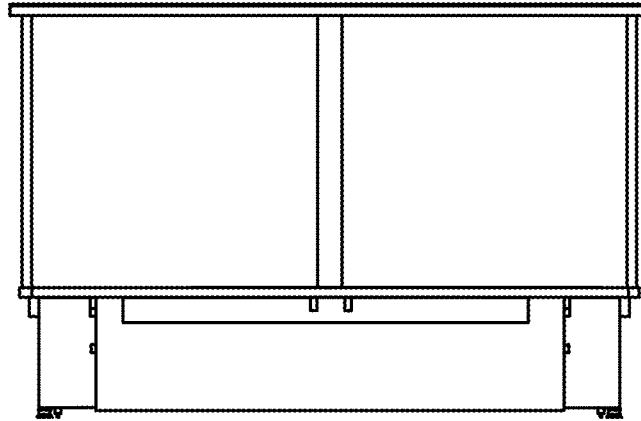
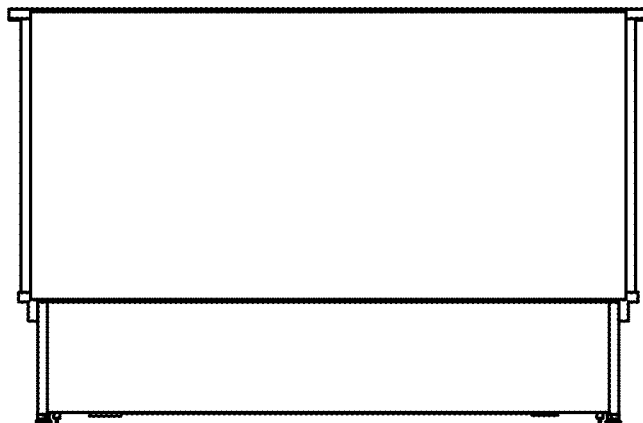


Fig. 10

Fig. 11



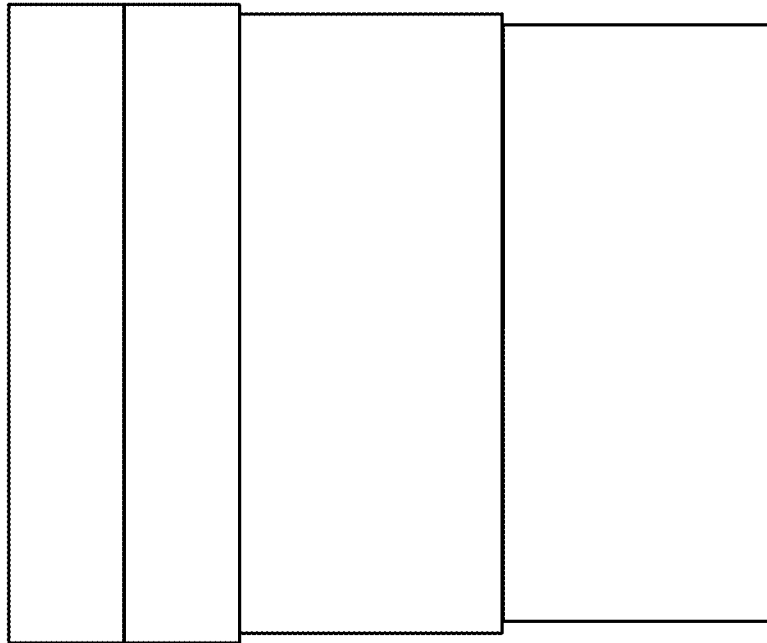


Fig. 12

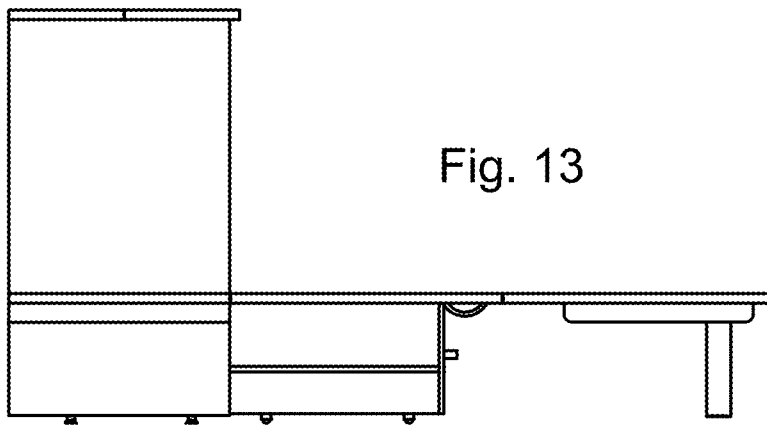


Fig. 13

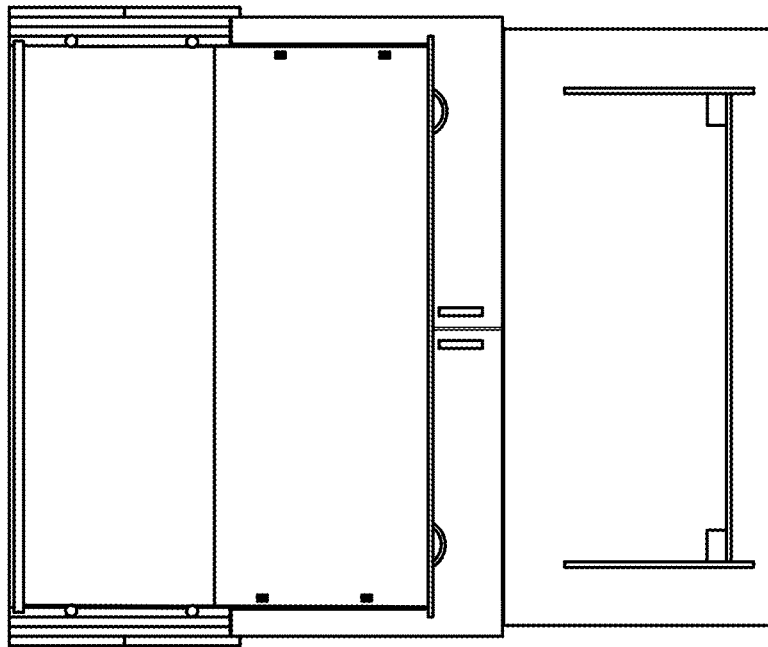


Fig. 14