



- (51) **International Patent Classification:**  
*H02J 7/00* (2006.01)     *H02J 9/00* (2006.01)
- (21) **International Application Number:**  
PCT/US2008/086301
- (22) **International Filing Date:**  
10 December 2008 (10.12.2008)
- (25) **Filing Language:** English
- (26) **Publication Language:** English
- (30) **Priority Data:**  
61/012,700 10 December 2007 (10.12.2007) US
- (71) **Applicant (for all designated States except US):** CLEVX, LLC [US/US]; 9306 Ne 125th Street, Kirkland, WA 98034 (US).
- (72) **Inventor; and**
- (75) **Inventor/Applicant (for US only):** JOHNSON, Simon, B. [US/US]; 20612 Church Lake Drive E., Bonney Lake, WA 98391 (US).
- (74) **Agent:** ISHIMARU, Mikio; Law Offices of Mikio Ishimaru, 333 W. El Camino Real, Suite 330, Sunnyvale, CA 94087 (US).
- (81) **Designated States (unless otherwise indicated, for every kind of national protection available):** AE, AG, AL, AM, AO, AT, AU, AZ, BA, BB, BG, BH, BR, BW, BY, BZ, CA, CH, CN, CO, CR, CU, CZ, DE, DK, DM, DO, DZ,

EC, EE, EG, ES, FI, GB, GD, GE, GH, GM, GT, HN, HR, HU, ID, IL, IN, IS, JP, KE, KG, KM, KN, KP, KR, KZ, LA, LC, LK, LR, LS, LT, LU, LY, MA, MD, ME, MG, MK, MN, MW, MX, MY, MZ, NA, NG, NI, NO, NZ, OM, PG, PH, PL, PT, RO, RS, RU, SC, SD, SE, SG, SK, SL, SM, ST, SV, SY, TJ, TM, TN, TR, TT, TZ, UA, UG, US, UZ, VC, VN, ZA, ZM, ZW.

(84) **Designated States (unless otherwise indicated, for every kind of regional protection available):** ARIPO (BW, GH, GM, KE, LS, MW, MZ, NA, SD, SL, SZ, TZ, UG, ZM, ZW), Eurasian (AM, AZ, BY, KG, KZ, MD, RU, TJ, TM), European (AT, BE, BG, CH, CY, CZ, DE, DK, EE, ES, FI, FR, GB, GR, HR, HU, IE, IS, IT, LT, LU, LV, MC, MT, NL, NO, PL, PT, RO, SE, SI, SK, TR), OAPI (BF, BJ, CF, CG, CI, CM, GA, GN, GQ, GW, ML, MR, NE, SN, TD, TG).

**Declarations under Rule 4.17:**

— of inventorship (Rule 4.17(iv))

**Published:**

— with international search report (Art. 21(3))

— before the expiration of the time limit for amending the claims and to be republished in the event of receipt of amendments (Rule 48.2(h))

(88) **Date of publication of the international search report:**  
24 September 2009

(54) **Title:** STORED-POWER SYSTEM INCLUDING POWER MANAGEMENT

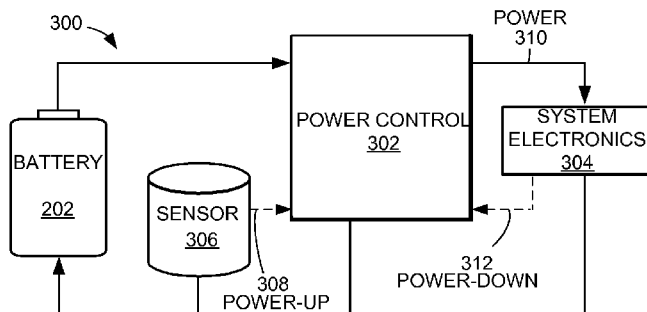


FIG. 3

(57) **Abstract:** A stored-power system (100) operating method (900) including: providing a human- input power-up signal (308) from a stored-power source (202); turning on power (310) for a power-using-system (304) in response to the human-input power-up signal (308); and waiting for a predetermined power-down signal (312) to turn off power (310) to the power-using- system (304) to zero power consumption.

WO 2009/076484 A3

**A. CLASSIFICATION OF SUBJECT MATTER****H02J 7/00(2006.01)i, H02J 9/00(2006.01)i**

According to International Patent Classification (IPC) or to both national classification and IPC

**B. FIELDS SEARCHED**

Minimum documentation searched (classification system followed by classification symbols)

IPC H02J 7/00, H02J 9/00

Documentation searched other than minimum documentation to the extent that such documents are included in the fields searched

Korean Utility models and applications for Utility models since 1975.  
Japanese Utility models and applications for Utility models since 1975.

Electronic data base consulted during the international search (name of data base and, where practicable, search terms used)

PAJ, FPD, USPAT, eKOMPASS "Keyword: power down, power save, sensor, detect, power on, sleep mode, idle, switch"

**C. DOCUMENTS CONSIDERED TO BE RELEVANT**

Category*	Citation of document, with indication, where appropriate, of the relevant passages	Relevant to claim No.
Y	KR 10-0559946 B1 ( SESOL.CO., LTD. ) 15 MARCH 2006. See abstract; claims 1-3; figures 1-2.	1-20
Y	JP 2000-270472 A ( SONY CORP ) 29 SEPTEMBER 2000. See abstract; claims 1-3; figures 1-4.	1-20
Y A	JP 2007-102370 A ( TOSHIBA CORP ) 19 APRIL 2007. See abstract; claims 1-10; figures 1-5.	10,20 1-9,11-19
A	US 2007-0029969 A1 ( HAN-CHE WANG; SHIN_HONG CHUNG; HUAN-HONG HSIEH; WEN-CHUAN LIAN ) 08 FEBRUARY 2007. See abstract; claims 1-12; figures 1-4.	1-20

 Further documents are listed in the continuation of Box C. See patent family annex.

\* Special categories of cited documents:

"A" document defining the general state of the art which is not considered to be of particular relevance

"E" earlier application or patent but published on or after the international filing date

"L" document which may throw doubts on priority claim(s) or which is cited to establish the publication date of citation or other special reason (as specified)

"O" document referring to an oral disclosure, use, exhibition or other means

"P" document published prior to the international filing date but later than the priority date claimed

"T" later document published after the international filing date or priority date and not in conflict with the application but cited to understand the principle or theory underlying the invention

"X" document of particular relevance; the claimed invention cannot be considered novel or cannot be considered to involve an inventive step when the document is taken alone

"Y" document of particular relevance; the claimed invention cannot be considered to involve an inventive step when the document is combined with one or more other such documents, such combination being obvious to a person skilled in the art

"&amp;" document member of the same patent family

Date of the actual completion of the international search

17 AUGUST 2009 (17.08.2009)

Date of mailing of the international search report

**17 AUGUST 2009 (17.08.2009)**

Name and mailing address of the ISA/KR

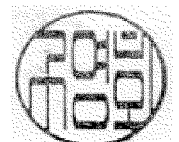
Korean Intellectual Property Office  
Government Complex-Daejeon, 139 Seonsa-ro, Seo-  
gu, Daejeon 302-701, Republic of Korea

Facsimile No. 82-42-472-7140

Authorized officer

KOO, Young Hoi

Telephone No. 82-42-481-8376



**INTERNATIONAL SEARCH REPORT**

Information on patent family members

International application No.

**PCT/US2008/086301**

Patent document cited in search report	Publication date	Patent family member(s)	Publication date
KR 10-0559946 B1	15.03.2006	None.	
JP 2000-270472 A	29.09.2000	None.	
JP 2007-102370 A	19.04.2007	None.	
US 2007-0029969 A	08.02.2007	None.	