



HU000027072T2

(19) **HU**(11) Lajstromszám: **E 027 072**(13) **T2****MAGYARORSZÁG**
Szellemi Tulajdon Nemzeti Hivatala**EURÓPAI SZABADALOM**
SZÖVEGÉNEK FORDÍTÁSA(21) Magyar ügyszám: **E 12 730897**(51) Int. Cl.: **B65D 47/08** (2006.01)(22) A bejelentés napja: **2012. 06. 22.**

(86) A nemzetközi (PCT) bejelentési szám:

(96) Az európai bejelentés bejelentési száma:
EP 20120730897**PCT/EP 12/062072**(97) Az európai bejelentés közzétételi adatai:
EP 2741968 A1 **2012. 12. 27.**

(87) A nemzetközi közzétételi szám:

WO 12175663(97) Az európai szabadalom megadásának meghirdetési adatai:
EP 2741968 B1 **2015. 10. 21.**

(30) Elsőbbségi adatok: 1155608 2011. 06. 24. FR	(73) Jogosult(ak): Tetra Laval Holdings & Finance S.A., Pully (CH)
(72) Feltaláló(k): ANTIER, Grégory, F-01600 Trevoux (FR) LUZZATO, Michel, F-69130 Ecully (FR)	(74) Képviselő: Danubia Szabadalmi és Jogi Iroda Kft., Budapest

(54)

Záróeszköz palacknyakhoz

Az európai szabadalom ellen, megadásának az Európai Szabadalmi Közlönyben való meghirdetésétől számított kilenc hónapon belül, felszólalást lehet benyújtani az Európai Szabadalmi Hivatalnál. (Európai Szabadalmi Egyezmény 99. cikk(1))

A fordítást a szabadalmas az 1995. évi XXXIII. törvény 84/H. §-a szerint nyújtotta be. A fordítás tartalmi helyességét a Szellemi Tulajdon Nemzeti Hivatala nem vizsgálta.



(11) **EP 2 741 968 B1**

(12) **EUROPEAN PATENT SPECIFICATION**

(45) Date of publication and mention
of the grant of the patent:
21.10.2015 Bulletin 2015/43

(21) Application number: **12730897.1**

(22) Date of filing: **22.06.2012**

(51) Int Cl.:
B65D 47/08 (2006.01)

(86) International application number:
PCT/EP2012/062072

(87) International publication number:
WO 2012/175663 (27.12.2012 Gazette 2012/52)

(54) **STOPPER DEVICE FOR THE NECK OF A CONTAINER**

STOPFENVORRICHTUNG FÜR DEN HALS EINES BEHÄLTERS

DISPOSITIF DE BOUCHAGE DE COL DE RÉCIPIENT

(84) Designated Contracting States:
**AL AT BE BG CH CY CZ DE DK EE ES FI FR GB
GR HR HU IE IS IT LI LT LU LV MC MK MT NL NO
PL PT RO RS SE SI SK SM TR**

(30) Priority: **24.06.2011 FR 1155608**

(43) Date of publication of application:
18.06.2014 Bulletin 2014/25

(73) Proprietor: **Tetra Laval Holdings & Finance S.A.
Pully (CH)**

(72) Inventors:
• **ANTIER, Grégory
F-01600 Trevoux (FR)**

• **LUZZATO, Michel
F-69130 Ecully (FR)**

(74) Representative: **Siloret, Patrick
Sidel Blowing & Services
Avenue de la Patrouille de France
76930 Octeville-sur-Mer (FR)**

(56) References cited:
**WO-A1-93/00271 WO-A1-2010/128288
WO-A2-2008/068416 FR-A1- 2 820 120
US-B1- 6 269 986**

EP 2 741 968 B1

Note: Within nine months of the publication of the mention of the grant of the European patent in the European Patent Bulletin, any person may give notice to the European Patent Office of opposition to that patent, in accordance with the Implementing Regulations. Notice of opposition shall not be deemed to have been filed until the opposition fee has been paid. (Art. 99(1) European Patent Convention).

Description

[0001] The present invention relates to a stopper device for the neck of a container.

[0002] In the field of liquid packaging, it is very common to equip the neck, whether threaded or unthreaded, of a container with a stopper device, generally made from molded plastic, that includes both a globally tubular base, provided to be immobilized around the neck, and a removable cap, in particular pivotably supported by the base. This type of device, commonly designated using the expression "sport-cap," is used to allow the user to drink directly from the neck of the container, after having freed the cap in a position far enough from the base to allow the flow through that base of liquid contained in the container.

[0003] Before the first use of this type of stopper device, i.e. before the first time the cap is opened relative to the base, the cap and the base are connected to one another by tamper-evident means that may be at least partially broken the first time the device is opened. The tamper-evident means thus in principle provide the user with a visual indication as to whether the device he is manipulating has already been opened. This visual indication is blatant when at least part of the tamper-evident means has been completely separated from the rest of the device. However, in that case, that separated portion, which is generally small, poses a safety problem, since it risks being ingested or inhaled, as well as an environmental problem, since the user tends to get rid of it without taking the precaution of placing it in a wastebasket.

[0004] To avoid these problems, known embodiments of tamper-evident means consist of having at least part of said means be, after local rupture of one or more limited frangible zones, deformed enough relative to the rest of the device, under the action of the cap moved during opening or under the direct action of the user so as to free the cap to be opened, to provide a visual indication of first opening, the aforementioned portion of the tamper-evident means remaining permanently connected to the device. However, in that case, the visibility of the first opening indication is often limited, which generally requires the user to meticulously inspect the device to determine whether it has been opened a first time. Thus, WO-A-2010/128 888, on which the preamble of claim 1 is based, proposes locking the movable cap using a protruding hook integral with the base: in order to release the cap, the portion thereof engaged with the hook must be deformed enough to release the hook, which requires that the user first move a peripheral strand away which, over the entire length thereof, is initially frangibly connected to the cap and the hook.

[0005] The aim of the present invention is to improve the tamper-evident means of stopper devices with pivotable caps or, more generally, a movable cap, so that these means present better visibility while remaining effective.

[0006] To that end, the invention relates to a stopper device for the neck of a container as defined in claim 1.

[0007] The idea at the base of the invention is to integrate the tamper-evident means into a "two-step actuating" system to open the cap for the first time. In this way, according to the invention, the cooperation between a hook, secured to the base, and a strand that is not yet altered, secured to the cap, initially blocks the movement of the cap from the closed position to the open position thereof, which prevents the user from opening the device. The user is therefore naturally forced to try to eliminate that blockage, by acting beforehand on the strand: a manual stressing tab, provided at a first end of said strand, can then be driven by the user so as to move it away from the rest of the cap, while driving it globally radially outward. In so doing, the first end of the strand is jointly driven with said tab, which breaks the frangible connection provided between said first end and the cap. In the same motion, the user continues to release the rest of the strand, causing the plastic deformation of the connection between the second end of the strand and the cap, until the strand has been moved sufficiently outward so that its running portion, which extends globally transversely protruding toward the outside relative to the cap, no longer interferes with the hook integral with the base: the user can then freely move the cap toward the open position thereof, without the running portion of the strand abutting again against the hook. It is less understood that, after the user has released the strand, in particular to rotate the cap, said strand preserves its altered configuration, i.e. moved transversely toward the outside of the rest of the device, due to the plastic deformation the connection between the second end of the strand and the cap has undergone. This altered configuration provides the user with a clear, unambiguous and easily observable physical indication, even if the cap has ultimately never been moved to its open position, or even when, subsequently, the cap is returned to the open position thereof, or from an intermediate position, to the closed position thereof, the strand being structurally incapable of returning to its unaltered configuration.

[0008] Advantageous additional features of the stopper device according to the invention are specified in claims 2 to 15.

[0009] The invention will be better understood upon reading the following description, provided solely as an example and done in reference to the drawings, in which:

- figure 1 is a perspective view of a stopper device according to the invention, assembled to the neck of a container and not yet having been opened for the first time;
- figures 2 and 3 are elevation views along arrows II and III, respectively, of figure 1;
- figure 4 is a longitudinal cross-section along line IV-IV of figure 3;
- figure 5 is a perspective view of the stopper device of figure 1, showing that device not yet assembled to the neck of a container, in a manufacturing configuration, typically a configuration upon leaving the

- mold;
- figure 6 is a cross-section in plane VI of figure 5;
- figures 7 to 9 are elevation views along arrow VII of figure 5, respectively showing three successive steps of a prior initial closing of the stopper device;
- figures 10 and 11 are larger-scale views of circled areas X in figure 2 and XI in figure 4, respectively;
- figure 12 is a perspective view similar to figure 1, from a different angle, showing an altered configuration of the tamper-evident means of the stopper device; and
- figure 13 is a view similar to figure 1, showing the stopper device after the first time it is opened.

[0010] Figures 1 to 13 show a stopper device 1 for a neck 2 of a container, such as a bottle.

[0011] In general, the neck 2 is made integral with the rest of the aforementioned container, in particular when the latter is a glass or plastic container, or adapted to be permanently secured on a wall of said container, at a through opening of said wall.

[0012] The neck of the container 2 has a tubular shape, the central longitudinal axis of which is referenced X-X.

[0013] For convenience, the rest of the description of the stopper device 1 is oriented relative to the axis X-X, considering that the terms "lower" and "bottom" describe a portion of the stopper device 1 oriented axially toward the main body of the container when the device 1 covers the neck 2 of said container and when the latter is resting on a horizontal plane, such as a table, with its neck oriented upward, as in figures 1, 2, 4 and 10 to 13. Conversely, the terms "upper" and "top" correspond to an opposite axial direction.

[0014] The stopper device 1 comprises a base 10 having a globally tubular shape, centered on an axis which, when the device 1 equips the neck of the container 2, is combined with the axis X-X such that, for convenience, the axis of the base 10 is also referenced X-X in this document. As shown in figures 1 to 6, the base 10 includes a tubular main body 11 with an essentially circular base centered on the axis X-X. This body 11 is adapted to be securely supported around the neck of the container 2, here by screwing: this body 11 is therefore provided with an inner thread 12 complementary to an outer thread 3 of the neck of the container 2, whereas the outer surface of the body 11 is advantageously provided with longitudinal ribs 13 facilitating gripping of the base 10 to screw the body 11 around the neck of the container.

[0015] The base also comprises a nipple 14 having a globally tubular shape, centered on the axis X-X and narrowing upwardly. The lower portion of the nipple 14 is rigidly connected to the top portion of the body 11, here being made in a single piece, by a substantially horizontal annular wall 15, i.e. that fits substantially in a perpendicular plane X-X. The maximum outer transverse dimension of the nipple 14 being provided to be smaller than the maximum inner transverse dimension of the body 11, the annular wall 15 forms a transitional shoulder between

the body 11 and the nipple 14, protruding radially from the lower portion of the nipple 14 and running over the entire outer periphery of said nipple, as shown in figures 4 to 6. In other words, the annular wall 15 connects, over the entire periphery of the base 10, the inner surface of the body 11 to the outer surface of the nipple 14.

[0016] As one advantageous optional arrangement, the annular wall 15 is provided, on the lower surface thereof, with a sealing skirt 15₁ adapted to bear sealably against the inner surface of the neck of the container 2 when the base 10 is secured to the neck, as shown in figure 4.

[0017] At its upper end, the nipple 14 is partially closed by a substantially horizontal bottom wall 16, which delimits, in the central region thereof, a cylindrical opening 16₁ substantially centered on the axis X-X.

[0018] The stopper device 1 also comprises a cap 20, which, as shown in figures 4 to 6, has a globally tubular shape centered on axis Y-Y. More specifically, the cap 20 includes a tubular main body 21, centered on the axis Y-Y and narrowing slightly toward one of the axial ends thereof, which is closed by a bottom wall 22 extending globally in a plane perpendicular to the axis Y-Y. This bottom wall 22 is provided, on the surface thereof oriented towards the inside of the body 21, with a sealing skirt 22₁ that is sized to be inserted inside the opening 16₁ so as to close said opening substantially sealably. The cap 20 is thus capable of plugging the neck of the container 2 by closing the base 10.

[0019] The cap 20 is movable relative to the base 10, while being movable between a closed position, shown in figures 1 to 4 and in which the body 21 covers the nipple 14, with the skirt 22₁ covering the opening 16₁, the axes X-X and Y-Y then being substantially combined, and an open position, which is shown in figures 5, 6 and 13 and in which the cap 20 is sufficiently freed from the nipple 14 for the opening 16₁ to communicate freely with the outside and, when the base 10 is assembled to the neck of the container 2, a user can pour the liquid contained in the container body through the opening 16₁, via the neck 2, in particular by placing his mouth directly on the nipple 14.

[0020] In the embodiment considered in the figures, the cap 20 is advantageously permanently connected to the base 10 by a strap 30 which, by flexible deformation, allows the reversible movement of the cap 20 between the closed and open positions thereof. Particularly advantageously, this strap 30 is designed to guide the movement of the cap 20 between its closed and open positions globally pivotably, in particular substantially around a geometric axis that extends in a direction orthogonal to the axes X-X and Y-Y. Along the periphery of the base 10, this strap 30 and, consequently, the aforementioned geometric axis or, more generally, the region around which or from which the cap 20 tilts between the closed and open positions thereof, while being guided by the strap 30, are situated in a portion considered to be behind the base 10, in the sense that said peripheral

portion of the base is opposite the user handling the stopper device 1. In this context, it will be understood that the cap 20 is advantageously provided with a front tab 23, which extends in the plane of the bottom wall 22 and overhangs a depression 24 formed in the front peripheral portion of the body 21: in this way, a user can place one of his fingers in the depression 24 and press it against the surface of the tab 23, turned toward the depression, so as to apply a force F which, as shown in figures 2 to 4, is oriented opposite the neck of the container 2 and in a direction substantially parallel to the axis Y-Y to pivot the cap 20. More generally, it will be noted that, even in the absence of the strap 30 or the presence of a strap not providing true guiding of the movement of the cap between the closed and open positions, applying the aforementioned force F, if applicable using the tab 23 and the depression 24, has the interest of guiding the movement of the cap substantially in the direction of the axis X-X and opposite the neck of the container 2 when, while the ring 10 is fastened to the neck of the container, the cap leaves its closed position to return to its open position.

[0021] As shown in figures 2, 5 and 6, references 31 and 32 designate the two opposite ends of the strap 30: the end 31 is connected to a rear peripheral portion of the base 10, while the end 32 is connected to a rear peripheral portion of the cap 20, more specifically the body 21 of said cap. Advantageously, as shown in figures 3 and 6, the end 31 of the strap 30 is connected to a rear peripheral portion 15₂ of the annular wall 15, without interfering with the outer periphery of said annular wall. To that end, the rear portion 15₂ of the wall 15 has an increased radial dimension, compared to the rest of the annular wall 15, due to a truncation at the rear of the tubular shape of the nipple 14: in fact, as shown in figures 5 and 6, the nipple 14 has a rear flat section 14, which, by connecting to the rear portion 15₂ of the annular wall 15, makes it possible to position the end 31 of the strap 30 at a radial distance from the axis X-X smaller than or equal to the maximum outer diameter of the rest of the nipple 14. In this way, while having a strap 30 present, the zone connecting the annular wall 15 to the body 11 of the base 10 in a stepped manner runs continuously over the entire periphery of the base: this stepped peripheral area makes it possible to press a tool there, not angularly indexed, for manipulating the stopper device 1, such as a screwing one, without being bothered by the presence of the strap 30. Using such a non-angularly indexed tool is cost-effective, facilitates manipulation of the stopper device, and makes it possible to increase the placement rhythms of the device 1 on the neck of the container 2, having noted that, advantageously, such a non-angularly indexed tool can successively be used, on a same bottling line, to place the stopper devices 1, then other compatible conventional stopper devices, for example flat stoppers.

[0022] While advantageously taking the preceding into account, the strap 30 is preferably made with the greatest

possible width, i.e. the greatest possible dimension in a direction substantially orthoradial to the axes X-X and Y-Y. In particular, the strap 30 is preferably made in the form of a single body. In this way, the strap 30 has great resistance to breaking by torsion, i.e. when it is twisted on itself, in particular by rotating the cap 20 around itself so as to impose a globally spiral shape on the strap 30.

[0023] Independently or as a complement to the preceding considerations relative to the strap 30, said strap is advantageously made from so-called organoleptic, quality polyethylene, i.e. a polyethylene whereof the majority of the components capable of altering the taste or odor of a liquid in contact therewith have been purified. One interest of this material is related to its plastic deformation capacity, which makes it possible on the one hand to still further strengthen the resistance to breaking, and, on the other hand, to immobilize, substantially without resilient return, the cap 20 in any intermediate position between the closed and open positions thereof, in return for a corresponding deformation of the strap 30. In this way, without causing plastic overstress and without running the risk of irreparably damaging the straps 30, the user can move the cap 20 away from the base 10 with as great a pivot amplitude as desired.

[0024] Also independently or as a complement to the preceding considerations relative to the strap 30, said strap advantageously has, between the ends 31 and 32 thereof, a substantially constant thickness, except in a thinner transverse line 33, situated closer to the cap 20 than the base 10. In light of its smaller thickness relative to the rest of the strap 30, the line 33 forms a preferred relative pivot axis between the base 10 and the cap 20 when said cap is moved between the closed and open positions thereof. This arrangement is particularly interesting when the cap 20 is moved from the open position to the closed position thereof, as shown successively in figures 7 to 9: in fact, when the cap leaves its open position, the preferred pivoting thereof around the line 33 causes the end of the body 21, opposite the bottom wall 22, to follow a predetermined path centered on the axis formed by said line, guiding the rear portion of the aforementioned end until it interferes with the rear portion, here the rear flat section 14₁, of the nipple 14, against which the aforementioned end of the body 21 can then slide toward the annular wall 15 as the cap 20 is moved to its closed position. The risk is thereby limited that, at the beginning of driving of the cap from its open position, the aforementioned end of the body 21 will be axially folded against the upper surface of the bottom wall 16 of the nipple 14, which would prevent the proper progression of the rest of the pivoting movement of the cap to the closed position thereof.

[0025] Also independently or as a complement to the preceding considerations relative to the strap 30, said strap is advantageously integral with both the base 10 and cap 20. If applicable, the base 10, the cap 20 and the strap 30 are then, as in the embodiment illustrated in the figures, made in a single piece of plastic material, in

particular polyethylene of organoleptic quality. In that case, in particular in order to facilitate molding of said piece in a single unit by plastic injection, the stopper device 1 advantageously has at least one plastic injection tunnel 14, which, in the embodiment considered in the figures and as shown in figures 2 and 6, successively extends:

- between the axial ends of the nipple 16, protruding towards the inside of the nipple, in the form of a tunnel portion 41 indicated in broken lines in figure 6,
- between the inner and outer peripheral ends of the rear portion 15₂ of the annular wall 15, protruding toward the outside of the base 10, in the form of a tunnel portion 42, indicated in broken lines in figure 6 and visible in figure 2, and
- between the opposite ends 31 and 32 of the strap 30, while being distributed over the entire length thereof.

[0026] In practice, the stopper device 1, thus made in a single piece, is obtained upon leaving the mold as in figures 5 and 6, i.e. with the cap 20 in the open position.

[0027] The stopper device 1 also comprises, as tamper-evident means, a strand of material 50 and a hook 60.

[0028] In an unaltered configuration, i.e. in an original configuration corresponding to the fact that the tamper-evident means of the device 1 have not been stressed to open the device for the first time, in particular in a configuration upon leaving the mold, the strand 50 is connected to the cap 20 extending lengthwise along the periphery of the body 21 of the cap, in particular in the axial portion of said body 21 turned opposite the bottom wall 22. Thus, in the embodiment considered in the figures, the front portion of the body 21 of the cap 20 is therefore radially open all the way through, i.e. said front portion delimits a through window 25 whereof the edge turned opposite the bottom wall 22, which extends along the peripheral direction of the body 21, is made up of the strand 50. For reasons that will appear later, the strand 50 has a longitudinal end 51 frangibly connected to the body 21 of the cap 20, while preferably being situated diametrically opposite the end 32 of the strap 30, as shown in figures 2 and 6. Opposite the end 51, the strand 50 has a longitudinal end 52 that is connected to the body 21 of the cap 20 non-frangibly, for plastic deformation purposes, as explained in more detail hereafter. Advantageously, the strand 50 and the cap 20 are made in a single piece, in particular by molding, the ends 51 and 52 then being integral with the body 21.

[0029] As shown in figures 2 and 10, the end 51 of the strand 50 is securely provided with a tab 53 protruding from the rest of the end 51, in particular so as to be easily grasped by the user. Thus, in the embodiment considered in the figures, the tab 53 extends from the rest of the strand 50 toward the bottom wall 22, essentially following a direction parallel to the axis Y-Y. In the unaltered

configuration of the strand 50, the tab 53 partially covers the outer surface of the front portion of the body 21 of the cap 20, while allowing a play J to remain between them intended to facilitate grasping of the tab 53 by the user's fingers. In particular, in the embodiment considered in the figures, the free axial end of the 53 hugs, with insertion of the play J, a portion of the front depression 24 of the body 21, as shown in figure 10. In this way, the risks are limited of the free end of the tab 53 being inopportunistly caught during manipulations of the device 1 before the first time it is opened by a user, whereas, conversely, to grasp the tab 53, the user is forced to engage the end of one of his fingers in the depression 24, so as to interfere with the free end of the tab 53. Of course, more generally, the tab 53 may assume various forms, without being limited to that shown in the figures, inasmuch as the selected form allows the user to grasp the tab manually and pull it toward him so as, inter alia, to break the frangible connection between the end 51 of the strand 50 and the body 21 of the cap 20.

[0030] In practice, the aforementioned frangible connection is made by at least one frangible bridge inserted between the cap 20 and the end 51 of the strand 50. Thus, in the embodiment considered in the figures, such bridges are provided, referenced 54 and 55, as shown in figure 10: more specifically, the bridge 54 directly connects the tab 53 to the body 21 of the cap 20, while the two bridges 55 directly connect the rest of the end 51 to the body 21 of the cap 20. Of course, the number and arrangement of the frangible bridge(s) are not limited to those considered in the figures, as long as at least one such bridge connects the end 51 of the strand 50 and the cap 20, if applicable via the tab 53.

[0031] As one alternative not illustrated, as a replacement and/or complement to all or some of the bridges 54 and 55, a thin tearable membrane can be provided as frangible connection between the cap 20 and the end 51 of the strand 50.

[0032] The hook 60 assumes the form of a relief protruding from the outer surface of the front portion of the nipple 14, at the lower portion of the latter part. In the embodiment considered here, this hook 60 is thus integral with the nipple 14, which facilitates the manufacture thereof by molding in a single piece with the base 10.

[0033] The hook 60 is sized so as to be received in the window 25 when the strand 50 is in the unaltered configuration thereof and the cap 20 is in the closed position. In this way, the hook 60 has an elongate shape, which extends along the outer periphery of the nipple 14.

[0034] Along the periphery of the nipple 14, the hook 60 advantageously has a dimension smaller than the dimension, along the periphery of the body 21 of the cap 20, of the window 25: more specifically, as shown in figures 1 and 5, the hook 60 does not run, along the periphery of the nipple 14, at a point diametrically opposite the end 31 of the strap 30, that is arranged so as to be slightly angularly offset. This amounts to saying that, diametrically opposite the end 31 of the strap 30, the nipple 14

does not have a local increase in the outer diameter thereof, related to the presence of the hook 60. The interest of this arrangement will appear later. Thus, along the outer periphery of the nipple 14, the end 61 of the hook 60, which is situated closest to the anteroposterior diametrical plane passing through the end 31 of the strap 30, is not situated in the aforementioned diametrically, but is arranged facing it, in the directions of axes X-X and Y-Y, of the running portion 56 of the strand 50. The opposite peripheral end 62 of the hook 60 is advantageously situated in the peripheral bottom of the window 25, i.e. substantially axially facing the end 52 of the strand 50.

[0035] In the direction of the axis X-X, the hook 60 has a dimension substantially equal to the dimension, along the axis Y-Y, of the window 25, as shown in figure 11. Advantageously, the hook 60 has an upper surface 63 which, moving away from the outer surface of the nipple 14, is inclined downwardly and, opposite it, a lower surface 64 which, moving away from the outer surface of the nipple, is also downwardly inclined. When the strand 50 is in the unaltered configuration thereof and the cap 20 is in the closed position, as in figures 1 to 4, 10 and 11, the lower surface 64 of the hook 60 is directly opposite, in the direction of the axes X-X and Y-Y, an axial end surface 57 delimited by the running portion 56 of the strand 50, as shown in figure 11. Advantageously, for reasons that will appear later, this surface 57 of the strand 50 is complementary to the lower surface 64 of the hook 60.

[0036] To manufacture the stopper device 1, the base 10, the cap 20, the strap 30, the strand 50 and the hook 60 are advantageously obtained in a single piece by molding a plastic material, in particular a polyethylene said to be of organoleptic quality, as mentioned above. In particular, upon leaving the mold, the stopper device 1 has the configuration of figures 5 and 6, i.e. with the strand 50 in the unaltered configuration thereof and the cap 20 in the open position. Before or after the ring 10 is fastened around the neck of the container 2, the cap 20 is moved from its open position to its closed position, to result in the configuration shown in figures 1 to 4, 10 and 11: to that end, as explained above, in particular in light of figures 7 to 9, the strap 30 advantageously guides the closing movement of the cap 20. Additionally, when the cap 20 is on the verge of reaching its closed position, the strand 50 crosses the hook 60, from top to bottom, without being damaged, i.e. while preserving the integrity of its unaltered configuration: to that end, the upper surface 63 of the hook 60 advantageously forms a ramp against which the running portion 56 of the strand 50 progressively slides, while elastically stressing said running portion 56 outwardly, until said running portion is located below the level of the lower surface 64 of the hook 60, the running portion 56 of the strand 50 then being positioned naturally just below said surface 64, by elastic return of the material making up the strand 50. It will be understood why it is of interest for the end 61 of the hook 60 not to occupy, around the axis X-X, the same angular

position as it, around the axis Y-Y, as the end 51 of the strand 50, but for said end 61 of the hook 60 to be angularly offset: in this way, when the strand 50 crosses the hook 60, the end 51 of the strand is stressed very little or not at all, since it does not have to cross an element with a radial overthickness on the outer surface of the front portion of the nipple 14, contrary to the rest of the strand 50 having to cross the hook 60. In this way, the frangible connection between the end 51 of the strand 50 and the body 21 of the cap 20 is preserved, while significantly limiting the risk of the frangible bridges 54 and 55 being inopportunately broken during the initial closing of the cap 20.

[0037] The stopper device 1 is used as follows. Initially, it is considered that the neck of the container 2 is closed by the device 1, which has not yet been opened for the first time, as shown in figures 1 to 4, 10 and 11. A user wishing to open the device 1 may then be tempted to move the cap 20 from the current closed position to the open position thereof, in particular by pivoting guided by the strap 30, by applying a force F on the tab 23: however, in that case, the cap 20 is prevented from leaving the closed position thereof by the blocking cooperation between the lower surface 64 of the hook 60 and the surface 57 of the strand 50. In fact, as shown in figure 11, this attempt by the user leads to pressing the surface 57 of the running portion 56 of the strand 50 axially upward against the surface 64 of the hook 60, said surface 64 then forming a stop immobilizing the strand 50 and, thus the entire cap 20. This blocking effect is advantageously reinforced by the relative configuration of the surfaces 57 and 64: in fact, given the downward incline of one and/or the other of these surfaces 57 and 64 when the latter are traveled moving away from the axes X-X and Y-Y, their placement in contact in the direction of the axes X-X and Y-Y guides and presses the running portion 56 of the strand 50 against the stepped zone of the nipple 14, connecting the surface 64 to the outer surface of the front portion of the nipple 14. According to one preferred embodiment, shown in figure 11, the immobilization effect of the cap 20, by guiding then pressing the strand 50 against the aforementioned stepped zone of the nipple 14, is obtained by providing that one and/or the other of the surfaces 57 and 64 have, in an axial cutting plane, a substantially rectilinear profile which, on the side turned toward the neck of the container 2, forms, with the axis Y-Y and the axis X-X, respectively, an angle α and β , respectively, which is strictly smaller than 90° .

[0038] After having observed the impossibility of moving the cap 20 from the closed position thereof, or spontaneously, the user naturally acts on the tab 53: more specifically, the user manually grasps said tab 53, while being assisted by the presence of a residual play J radially present between the tab 53 and the outer surface of the nipple 14. Once the user has begun to pull the tab 53 toward him, he concomitantly drives the rest of the first end 51 of the strand 50, thereby causing the rupture of the frangible bridges 54 and 55. In the continuation of

his movement, the user progressively moves the entire running portion 56 of the strand 50 radially away toward the outside of the cap 20, as indicated by arrow E in figure 12, thereby progressively disengaging the surfaces 57 and 64 relative to one another. The stopper device 1 is then in the configuration shown in figure 12. In practice, the running portion 56 of the strand 50 then does not oppose any resistance against being moved outwardly, while the majority of the corresponding forces are concentrated in the connecting zone between the end 52 of the strand 50 and the body 21 of the cap 20: this connecting zone then deforms plastically, thereby guaranteeing good visibility of the altered configuration of the strand 50, since the latter does not tend to return to its initial configuration by elastic return.

[0039] The driving of the end 51 of the strand 50 is thus continued by the user until the surfaces 57 and 64 are completely disengaged from one another. Advantageously, to reinforce the outwardly protruding arrangement of the strand 50 in its configuration thus altered, this driving of the end 51 is thus to be done over at least 45°, or even 90° around a geometric axis substantially parallel to the axis X-X and passing through the end 52 of the strand 50.

[0040] The user can then drive the cap 20 from the closed position toward the open position thereof, without the strand 50 causing blocking of the movement of the cap, since its running portion 56 of the strand is then no longer axially upwardly retained by the hook 60. When the cap 20 is thus moved to its open position, the stopper device 21 reaches the configuration shown in figure 13.

[0041] Various arrangements and alternatives to the stopper device 1 described until now also be considered. For example:

- In the example considered until now, the strand 50 and the hook 60 are positioned globally at the front of the base 10 and the cap 20, in particular for good visibility by the user; alternatively, this strand and this hook can be provided in other peripheral portions of the device 1, in particular on one of the lateral sides of the base and the cap, in particularly globally at 90 around the axes X-X and Y-Y relative to the tab 23; likewise, several strand/hook pairs can be provided, for example one on each lateral side of the device;
- Rather than being secured around the neck 2 by screwing, the ring 10 can be secured by snapping, i.e. by snapping a portion of the inner surface thereof with a complementary portion of the neck;
- The use of a strand and a hook, respectively similar to the strand 50 and the hook 60, can be considered for stopper devices other than those with a pivoting cap, in particular via a thin guide strap such as the strap 30, like the cap 20, once the cap of these devices is to be moved from the base upward, in the direction opposite the neck of the container 2, when, at least first time it is opened, it leaves its closed

position to move to its open position;

- Rather than producing the stopper device 1 in a single piece, the latter may be obtained by assembling at least two distinct pieces; and/or
- Rather than providing that the end 52 of the strand 50 is permanently connected to the cap 20, said end may, as one alternative not shown, integrate a rupturing element designed, first, not to rupture when the strand goes from the unaltered configuration to the altered configuration thereof, then, only secondly, to be manually broken by the user so as to separate the strand from the cap 20.

15 Claims

1. A stopper device (1) for the neck of a container (2), including:

- a base (10) which is globally tubular and adapted to be fastened to a neck of a container (2),
- a cap (20) which is globally tubular and movable relative to the base between a closed position, in which the cap sealably blanks the opening (16₁) of the base, while covering the base at least partially, and an open position, in which the cap is remote from the base to allow a flow through the opening of the base, said cap being moved substantially in the direction of the axis (X-X) of the base and opposite the neck of the container when it leaves its closed position to its open position, and
- tamper-evident means (50, 60) intended to provide a visual indication of whether the cap (20) has already been moved for a first time from its closed position to its open position, said tamper-evident means including a strand (50) which, in an unaltered configuration, extends lengthwise along the periphery of the cap, and a hook (60), which is secured integral with the base (10), protruding toward the outside of the base, **characterized in that** the hook (60) is adapted so that, when the strand (50) is in the unaltered configuration thereof, the hook retains a running longitudinal portion (56) of the strand, in a direction substantially parallel to the axis (X-X) of the base, so as to block the movement of the cap (20) from its closed position to its open position, and **in that** a first longitudinal end (51) of the strand (50) is frangibly connected to the cap (20) and is integrally provided with a tab (53) for manually driving the strand so as to detach the first end of the strand relative to the cap, by breaking the frangible connection between them, then to move the running portion (56) of the strand away toward the outside of the cap, by plastic deformation of a non-frangible connection between a second longitudinal end (52) of the strand and

the cap, until the strand reaches an altered configuration in which the cap is free to be moved from its closed position to its open position without the running portion of the strand being retained by the hook.

2. The device according to claim 1, **characterized in that** the frangible connection between the first end (51) of the strand (50) and the cap (20) includes at least one frangible bridge (54) connecting the cap to the tab (53) of said first end and/or at least one frangible bridge (55) connecting the cap to the rest of said first end.
3. The device according to one of claims 1 or 2, **characterized in that** the second end (52) of the strand (50) is permanently connected to the cap (20).
4. The device according to one of claims 1 or 2, **characterized in that** the second end of the strand is provided with a rupturing member designed both not to break when the strand has gone from its unaltered configuration to its altered configuration, then to be manually broken so as to separate the strand from the cap after the strand has reached its altered configuration.
5. The device according to any one of the preceding claims, **characterized in that**, when the strand (50) is in its unaltered configuration, at least part of the tab (53) of the first end (51) of the strand (50) protrudes from the rest of said first end, in particular in a direction substantially parallel to the axis (Y-Y) of the cap (20), and partially covers the outer surface of the cap, with play (J) being inserted.
6. The device according to any one of the preceding claims, **characterized in that**, when the strand (50) is in its unaltered configuration and the cap (20) is in its closed position, the running portion (56) of the strand delimits a bearing surface (57) which, in the direction of the axis (X-X) of the base, is facing a stop surface (64) delimited by the hook (60).
7. The device according to claim 6, **characterized in that** the bearing surface (57) and the stop surface (64) are configured to cooperate with one another by contact so as, as long as strand (50) is in its unaltered configuration, to guide and press the running portion (56) of the strand against a stepped area of the ring (10), connecting the stop surface (64) to the outer surface of the base, when one has tried to move the cap (20) from the closed position to the open position thereof.
8. The device according to claim 7, **characterized in that** the bearing surface (57) and/or the stop surface (64) have, in an axial cutting plane, a substantially

rectilinear profile which, on the side turned toward the neck of the container (2), forms, respectively with the axis (Y-Y) of the cap and/or the axis (X-X) of the base (10), an angle (α , β) strictly smaller than 90° .

9. The device according to any one of the preceding claims, **characterized in that**, when the strand (50) is in the unaltered configuration thereof and the cap (20) is in its closed position, the hook (60) has, along the periphery of the base (10), an end (62) that is substantially axially opposite the second end (52) of the strand, while the opposite end (61) of the hook is axially across from the running portion (56) of the strand.
10. The device according to any one of the preceding claims, **characterized in that** the device (1) also includes a strap (30), preferably only one, that permanently connects the base (10) and the cap (20) and guides the movement of the cap between the closed and open positions thereof, particularly globally pivotably around a geometric axis (X-X) substantially orthoradial to the axis of the base.
11. The device according to claim 10, **characterized in that**, when the strand (50) is in the unaltered configuration thereof, the first end (51) of the strand is situated, along the periphery of the cap (20), diametrically opposite the end (32) of the strap (30), connected to the cap.
12. The device according to one of claims 10 or 11, **characterized in that** the strap (30) has, between the opposite ends (31, 32) thereof respectively connected to the base (10) and the cap (20), a substantially constant thickness, except in a thinner transverse line (33), which is situated closer to the cap than the base and which forms a relative pivot axis between the base and the cap.
13. The device according to one of claims 10 to 12, **characterized in that** the base (10) includes a tubular main body (11), adapted to be secured around the neck of the container (2), and a flow nipple (14) that is arranged coaxially to the main body and that is connected to said main body by an annular wall (15) connecting the inner surface of the main body to the outer surface of the nipple, and **in that** the nipple (14) has an outer flat portion (14₁) at the peripheral level of which the end (31) of the strap (30) is arranged, connected to the base (10), without interfering with the outer periphery of the annular wall (15) so as to form a stepped area, connecting the annular wall to the main body (11), which runs continuously over the outer periphery of the base (10).
14. The device according to any one of the preceding

claims, **characterized in that** the base (10), the cap (20), the strand (50) and the hook (60), as well as, if applicable, the strap (30), are made in a single piece molded from the plastic material, in particular polyethylene of organoleptic quality.

15. The device according to claims 13 and 14 considered together, **characterized in that** the device (1) has a plastic injection tunnel (40), which extends successively:

- between the axial ends of the nipple (14), protruding toward the inside of the nipple,
- between the inner and outer peripheral ends of the annular wall (15), protruding toward the outside of the base (10), and
- between the opposite ends (31, 32) of the strap (30).

Patentansprüche

1. Stopfenvorrichtung (1) für den Hals eines Behälters (2), aufweisend:

- eine Grundfläche (10), die allgemein rohrförmig ist und zum Befestigen an einen Hals eines Behälters (2) ausgelegt ist,
- eine Kappe (20), die allgemein rohrförmig ist und zu der Grundfläche zwischen einer geschlossenen Position, in der die Kappe dichtend die Öffnung (16₁) der Grundfläche abdunkelt und die Grundfläche mindestens teilweise bedeckt, und einer offenen Position, in der die Kappe von der Grundfläche entfernt ist, um eine Strömung durch die Öffnung der Grundfläche zu ermöglichen, beweglich ist, wobei die Kappe im Wesentlichen in der Richtung der Achse (X-X) der Grundfläche und gegenüber des Halses des Behälters bewegt wird, wenn sie ihre geschlossene Position zu ihrer offenen Position verlässt, und
- Originalitätsverschlussmittel (50, 60), die einen visuellen Hinweis darauf geben sollen, ob die Kappe (20) bereits ein erstes Mal von ihrer geschlossenen Position zu ihrer offenen Position bewegt wurde, wobei die Originalitätsverschlussmittel einen Streifen (50) aufweisen, der sich in unveränderter Konfiguration in Längsrichtung entlang des Umfangs der Kappe erstreckt, und einen Haken (60), der einstückig mit der Grundfläche (10), die in Richtung der Außenseite der Grundfläche vorsteht, gesichert ist, **dadurch gekennzeichnet, dass** der Haken (60) derart ausgelegt ist, dass, wenn der Streifen (50) in unveränderter Konfiguration ist, der Haken einen laufenden Längsabschnitt (56) des Streifens in einer Richtung hält, die im Wesent-

lichen parallel zu der Achse (X-X) der Grundfläche verläuft, um die Bewegung der Kappe (20) von ihrer geschlossenen zu ihrer offenen Position zu blockieren,

und dadurch, dass ein erstes Längsende (51) des Streifens (50) zerbrechlich mit der Kappe (20) verbunden ist und einstückig mit einer Lasche (53) zum manuellen Antreiben des Streifens bereitgestellt ist, um das erste Ende des Streifens in Bezug auf die Kappe zu lösen, indem die zerbrechliche Verbindung dazwischen aufgebrochen wird, woraufhin der laufende Abschnitt (56) des Streifens weg zu der Außenseite der Kappe durch Kunststoffverformung einer nicht zerbrechlichen Verbindung zwischen einem zweiten Längsende (52) des Streifens und der Kappe bewegt wird, bis der Streifen eine veränderte Konfiguration erreicht, in der die Kappe frei ist, um von ihrer geschlossenen Position zu ihrer offenen Position bewegt zu werden, ohne dass der laufende Abschnitt des Streifens von dem Haken gehalten wird.

2. Vorrichtung nach Anspruch 1, **dadurch gekennzeichnet, dass** die zerbrechliche Verbindung zwischen dem ersten Ende (51) des Streifens (50) und der Kappe (20) mindestens eine zerbrechliche Brücke (54), welche die Kappe mit der Lasche (53) des ersten Endes verbindet, und/oder mindestens eine zerbrechliche Brücke (55), welche die Kappe mit dem Rest des ersten Endes verbindet, aufweist.
3. Vorrichtung nach einem der Ansprüche 1 oder 2, **dadurch gekennzeichnet, dass** das zweite Ende (52) des Streifens (50) permanent mit der Kappe (20) verbunden ist.
4. Vorrichtung nach einem der Ansprüche 1 oder 2, **dadurch gekennzeichnet, dass** das zweite Ende des Streifens mit einem Bruchelement bereitgestellt wird, die beide ausgestaltet sind, um nicht zu brechen, wenn der Streifen von seiner unveränderten Konfiguration zu seiner veränderten Konfiguration übergegangen ist, woraufhin er manuell gebrochen wird, um den Streifen von der Kappe nach Erreichen der veränderten Konfiguration des Streifens manuell zu zerbrechen.
5. Vorrichtung nach einem der vorhergehenden Ansprüche, **dadurch gekennzeichnet, dass**, wenn der Streifen (50) in seiner unveränderten Konfiguration ist, mindestens ein Teil der Lasche (53) des ersten Endes (51) des Streifens (50) von dem Rest des ersten Endes vorsteht, insbesondere in einer Richtung, die im Wesentlichen parallel zu der Achse (Y-Y) der Kappe (20) verläuft, und die Außenoberfläche der Kappe mit ein wenig Spiel (J) teilweise bedeckt.

6. Vorrichtung nach einem der vorhergehenden Ansprüche, **dadurch gekennzeichnet, dass**, wenn der Streifen (50) in seiner unveränderten Konfiguration ist und die Kappe (20) in ihrer geschlossenen Position ist, der laufende Abschnitt (56) des Streifens eine Auflagefläche (57) begrenzt, die in der Richtung der Achse (X-X) der Grundfläche zu einer Stopfenoberfläche (64) weist, die von dem Haken (60) begrenzt wird. 5
7. Vorrichtung nach Anspruch 6, **dadurch gekennzeichnet, dass** die Auflagefläche (57) und die Stopfenoberfläche (64) konfiguriert sind, um durch Kontakt miteinander zusammenwirken, solange sich der Streifen (50) in seiner unveränderten Konfiguration befindet, um den laufenden Abschnitt (56) des Streifens an einen abgestuften Bereich des Rings (10), der die Stopfenoberfläche (64) mit der Außenoberfläche der Grundfläche verbindet, zu führen und dagegen zu drücken, wenn versucht wurde, die Kappe (20) von ihrer geschlossenen Position zu ihrer offenen Position zu bewegen. 10
8. Vorrichtung nach Anspruch 7, **dadurch gekennzeichnet, dass** die Auflagefläche (57) und/oder die Stopfenoberfläche (64) in einer axialen Schnittebene ein im Wesentlichen geradliniges Profil aufweisen, das, auf der Seite, die zu dem Hals des Behälters (2) geneigt ist, jeweils mit der Achse (Y-Y) der Kappe und/oder der Achse (X-X) der Grundfläche (10) einen Winkel (α , β) bildet, der strikt kleiner als 90° ist. 15
9. Vorrichtung nach einem der vorhergehenden Ansprüche, **dadurch gekennzeichnet, dass**, wenn der Streifen (50) in der unveränderten Konfiguration ist und die Kappe (20) in ihrer geschlossenen Position ist, der Haken (60) entlang des Umfangs der Grundfläche (10) ein Ende (62) aufweist, das sich im Wesentlichen axial gegenüber dem zweiten Ende (52) des Streifens befindet, während das gegenüberliegende Ende (61) des Hakens sich axial gegenüber des laufenden Abschnitts (56) des Streifens befindet. 20
10. Vorrichtung nach einem der vorhergehenden Ansprüche, **dadurch gekennzeichnet, dass** die Vorrichtung (1) auch einen Bügel (30) aufweist, vorzugsweise nur einen, der die Grundfläche (10) und die Kappe (20) permanent verbindet und die Bewegung der Kappe zwischen ihrer geschlossenen und geöffneten Position führt, insbesondere im Allgemeinen um eine geometrische Achse (X-X) schwenkbar ist, die im Wesentlichen orthoradial zu der Achse der Grundfläche verläuft. 25
11. Vorrichtung nach Anspruch 10, **dadurch gekennzeichnet, dass**, wenn der Streifen (50) in der unveränderten Konfiguration ist, das erste Ende (51) des Streifens entlang des Umfangs der Kappe (20) diametrisch gegenüber dem Ende (32) des Bügels (30) angeordnet ist, der mit der Kappe verbunden ist. 30
12. Vorrichtung nach einem der Ansprüche 10 oder 11, **dadurch gekennzeichnet, dass** der Bügel (30) zwischen den gegenüberliegenden Enden (31, 32), die jeweils mit der Grundfläche (10) und der Kappe (20) verbunden sind, eine im Wesentlichen konstante Dicke aufweist, mit Ausnahme einer dünneren quer verlaufenden Linie (33), die näher von der Kappe als von der Grundfläche angeordnet ist und die eine relative Schwenkachse zwischen der Grundfläche und der Kappe bildet. 35
13. Vorrichtung nach einem der Ansprüche 10 bis 12, **dadurch gekennzeichnet, dass** die Grundfläche (10) einen rohrförmigen Hauptkörper (11) aufweist, der dazu ausgelegt ist, um den Hals des Behälters (2) gesichert zu werden, und einen Strömungsnippel (14), der coaxial zum Hauptkörper angeordnet ist und mit dem Hauptkörper durch eine ringförmige Wand (15) verbunden ist, welche die innere Oberfläche des Hauptkörpers mit der Außenoberfläche des Nippels verbindet, und dadurch, dass der Nippel (14) einen äußeren flachen Abschnitt (14₁) auf der Umfangsebene aufweist, an der das Ende (31) des Bügels (30) angeordnet ist, der mit der Grundfläche (10) verbunden ist, ohne den Außenumfang der ringförmigen Wand (15) zu stören, um einen abgestuften Bereich zu bilden, der die ringförmige Wand mit dem Hauptkörper (11) verbindet, der kontinuierlich um den Außenumfang der Grundfläche (10) verläuft. 40
14. Vorrichtung nach einem der vorhergehenden Ansprüche, **dadurch gekennzeichnet, dass** die Grundfläche (10), die Kappe (20), der Streifen (50) und der Haken (60) sowie, wenn zutreffend, der Bügel (30) einstückig hergestellt sind und aus Kunststoffmaterial geformt wird, insbesondere aus Polyethylen organoleptischer Qualität. 45
15. Vorrichtung nach einem der Ansprüche 13 und 14 zusammen genommen, **dadurch gekennzeichnet, dass** die Vorrichtung (1) einen Kunststoff-Einspritz-tunnel (40) aufweist, der sich sukzessive 50
- zwischen den axialen Enden des Nippels (14), die in Richtung der Innenseite des Nippels vorstehen und
 - zwischen den inneren und äußeren Umfangsenden der ringförmigen Wand (15), die zur Außenseite der Grundfläche (10) und zwischen den gegenüberliegenden Enden (31, 32) des Bügels (30) vorstehen, ausdehnt. 55

Revendications

1. Dispositif de bouchage (1) du col d'un récipient (2), comprenant:

une base (10) qui est globalement tubulaire et est apte à être attachée à un col d'un récipient (2),

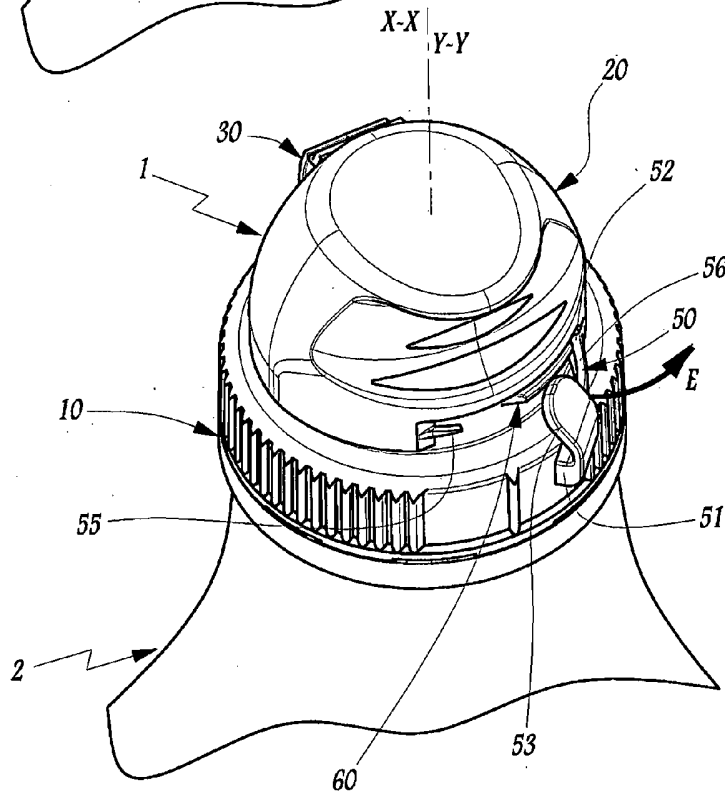
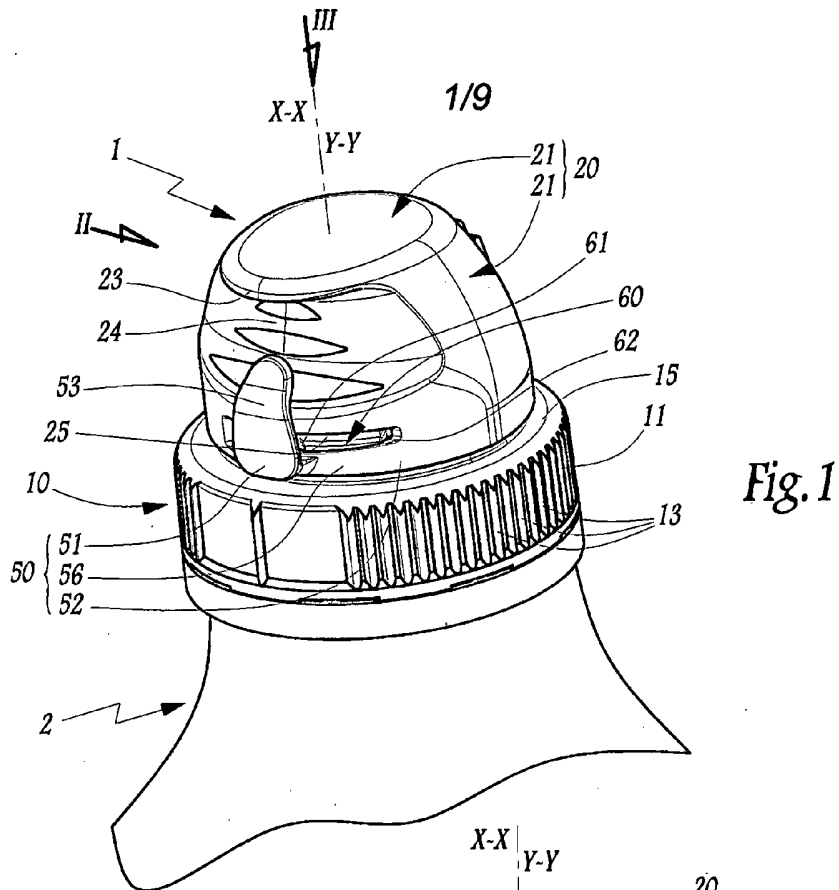
un capuchon (20) qui est globalement tubulaire et est mobile par rapport à la base entre une position fermée, dans laquelle le capuchon obture de façon étanche l'ouverture (16₁) de la base, tout en recouvrant la base au moins partiellement, et une position ouverte, dans laquelle le capuchon est éloigné de la base de manière à permettre un écoulement à travers l'ouverture de la base, ledit capuchon étant déplacé sensiblement dans la direction de l'axe (X-X) de la base et opposée au col du récipient lorsqu'il quitte sa position fermée pour sa position ouverte, et des moyens d'inviolabilité (50, 60) destinés à fournir une indication visuelle pour indiquer si le capuchon (20) a déjà été déplacé une première fois de sa position fermée vers sa position ouverte, lesdits moyens d'inviolabilité comprenant une sangle (50) qui, dans une configuration non altérée, s'étend dans le sens de la longueur le long de la périphérie du capuchon, et un crochet (60) qui est fixé intégralement à la base (10), faisant saillie en direction de l'extérieur de la base,

caractérisé en ce que le crochet (60) est conçu de telle sorte que, lorsque la sangle (50) se trouve dans la configuration non altérée de celle-ci, le crochet retienne une partie longitudinale courante (56) de la sangle, dans une direction sensiblement parallèle à l'axe (X-X) de la base, de manière à bloquer le déplacement du capuchon (20) de sa position fermée vers sa position ouverte,

et en ce qu'une première extrémité longitudinale (51) de la sangle (50) est connectée de façon frangible au capuchon (20) et est intégralement pourvue d'un onglet (53) pour entraîner manuellement la sangle de manière à détacher la première extrémité de la sangle par rapport au capuchon, en cassant la connexion frangible entre ceux-ci, et à déplacer ensuite la partie courante (56) de la sangle en l'écartant en direction de l'extérieur du capuchon, par une déformation plastique d'une connexion non frangible entre une deuxième extrémité longitudinale (52) de la sangle et le capuchon, jusqu'à ce que la sangle atteigne une configuration altérée dans laquelle le capuchon est libre d'être déplacé depuis sa position fermée jusqu'à sa position ouverte sans que la partie courante de la sangle soit retenue par le crochet.

2. Dispositif selon la revendication 1, **caractérisé en ce que** la connexion frangible entre la première extrémité (51) de la sangle (50) et le capuchon (20) comprend au moins une liaison frangible (54) qui relie le capuchon à l'onglet (53) de ladite première extrémité et/ou au moins une liaison frangible (55), qui relie le capuchon au reste de ladite première extrémité.
3. Dispositif selon la revendication 1 ou 2, **caractérisé en ce que** la deuxième extrémité (52) de la sangle (50) est connectée de façon permanente au capuchon (20).
4. Dispositif selon l'une des revendications 1 ou 2, **caractérisé en ce que** la deuxième extrémité de la sangle est pourvue d'un élément de rupture qui est conçu à la fois pour ne pas se casser lorsque la sangle est passée de sa configuration non altérée à sa configuration altérée, et ensuite pour être cassé manuellement de manière à séparer la sangle du capuchon une fois que la sangle a atteint sa configuration altérée.
5. Dispositif selon l'une quelconque des revendications précédentes, **caractérisé en ce que**, lorsque la sangle (50) se trouve dans sa configuration non altérée, au moins une partie de l'onglet (53) de la première extrémité (51) de la sangle (50) fait saillie à partir du reste de ladite première extrémité, en particulier dans une direction sensiblement parallèle à l'axe (Y-Y) du capuchon (20), et recouvre partiellement la surface extérieure du capuchon, avec un jeu (J) qui est inséré.
6. Dispositif selon l'une quelconque des revendications précédentes, **caractérisé en ce que**, lorsque la sangle (50) se trouve dans sa configuration non altérée, et que le capuchon (20) se trouve dans sa position fermée, la partie courante (56) de la sangle délimite une surface d'appui (57) qui, dans la direction de l'axe (X-X) de la base, fait face à une surface d'arrêt (64) délimitée par le crochet (60).
7. Dispositif selon la revendication 6, **caractérisé en ce que** la surface d'appui (57) et la surface d'arrêt (64) sont configurées de manière à coopérer l'une avec l'autre par contact de manière à, aussi longtemps que la sangle (50) se trouve dans sa configuration non altérée, guider et presser la partie courante (56) de la sangle contre une région étagée de l'anneau (10), qui relie la surface d'arrêt (64) à la surface extérieure de la base, lorsque l'on a essayé de déplacer le capuchon (20) de la position fermée vers la position ouverte de celui-ci.
8. Dispositif selon la revendication 7, **caractérisé en ce que** la surface d'appui (57) et/ou la surface d'arrêt

- (64) présentent, dans un plan de coupe axial, un profil sensiblement rectiligne qui, sur le côté orienté vers le col du récipient (2), forme, respectivement avec l'axe (Y-Y) du capuchon et/ou avec l'axe (X-X) de la base (10) un angle (α , β) qui est strictement inférieur à 90°.
9. Dispositif selon l'une quelconque des revendications précédentes, **caractérisé en ce que**, lorsque la sangle (50) se trouve dans la configuration non altérée de celle-ci et que le capuchon (20) se trouve dans sa position fermée, le crochet (60) présente, le long de la périphérie de la base (10), une extrémité (62) qui est sensiblement axialement opposée à la deuxième extrémité (52) de la sangle, alors que l'extrémité opposée (61) du crochet s'étend axialement transversalement de la partie courante (56) de la sangle.
10. Dispositif selon l'une quelconque des revendications précédentes, **caractérisé en ce que** le dispositif (1) comprend également une bride (30), de préférence une seule, qui relie de façon permanente la base (10) et le capuchon (20) et qui guide le déplacement du capuchon entre les positions fermée et ouverte de celui-ci, en particulier de façon globalement pivotante autour d'un axe géométrique (X-X) qui est sensiblement orthoradial à l'axe de la base.
11. Dispositif selon la revendication 10, **caractérisé en ce que**, lorsque la sangle (50) se trouve dans la configuration non altérée de celle-ci, la première extrémité (51) de la sangle est située, le long de la périphérie du capuchon (20), de façon diamétralement opposée à l'extrémité (32) de la bride (30), connectée au capuchon.
12. Dispositif selon l'une des revendications 10 ou 11, **caractérisé en ce que** la bride (30) présente, entre les extrémités opposées (31, 32) de celle-ci respectivement connectées à la base (10) et au capuchon (20), une épaisseur sensiblement constante, excepté dans une ligne transversale plus mince (33) qui est située plus près du capuchon que la base et qui forme un axe de pivotement relatif entre la base et le capuchon.
13. Dispositif selon l'une des revendications 10 à 12, **caractérisé en ce que** la base (10) comprend un corps principal tubulaire (11) qui est apte à être fixé autour du col du récipient (2), et une tuyère d'écoulement (14) qui est agencée de façon coaxiale par rapport au corps principal et qui est connectée audit corps principal par une paroi annulaire (15) qui relie la surface intérieure du corps principal à la surface extérieure de la tuyère, et **en ce que** la tuyère (14) présente une partie plate extérieure (14₁) au niveau périphérique de laquelle l'extrémité (31) de la bride (30) est agencée, connectée à la base (10), sans interférer avec la périphérie extérieure de la paroi annulaire (15) de manière à former une région étagée, reliant la paroi annulaire au corps principal (11), qui s'étend de façon continue sur la périphérie extérieure de la base (10).
14. Dispositif selon l'une quelconque des revendications précédentes, **caractérisé en ce que** la base (10), le capuchon (20), la sangle (50) et le crochet (60), ainsi que, si applicable, la bride (30) sont constitués d'une seule pièce moulée à partir de la matière plastique, en particulier de polyéthylène de qualité organoleptique.
15. Dispositif selon les revendications 13 et 14 considérées ensemble, **caractérisé en ce que** le dispositif (1) comprend un tunnel d'injection de plastique (40) qui s'étend successivement:
- entre les extrémités axiales de la tuyère (14), faisant saillie en direction de l'intérieur de la tuyère,
 - entre les extrémités périphériques intérieure et extérieure de la paroi annulaire (15), faisant saillie en direction de l'extérieur de la base (10), et
 - entre les extrémités opposées (31, 32) de la bride (30).



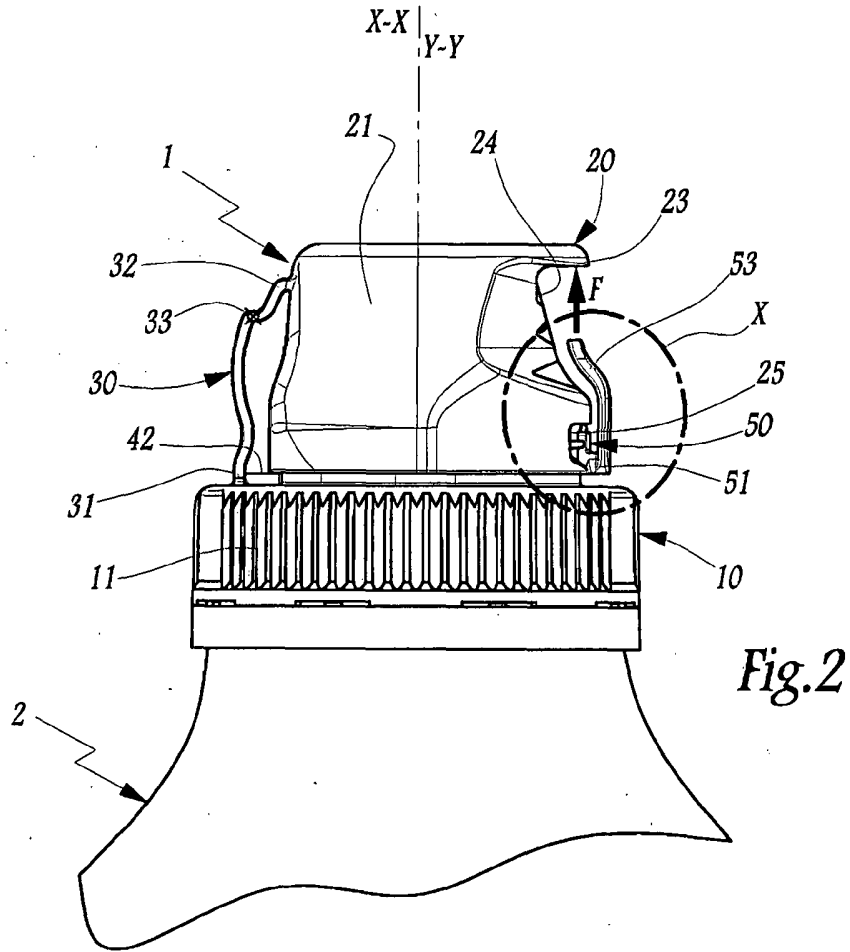


Fig. 2

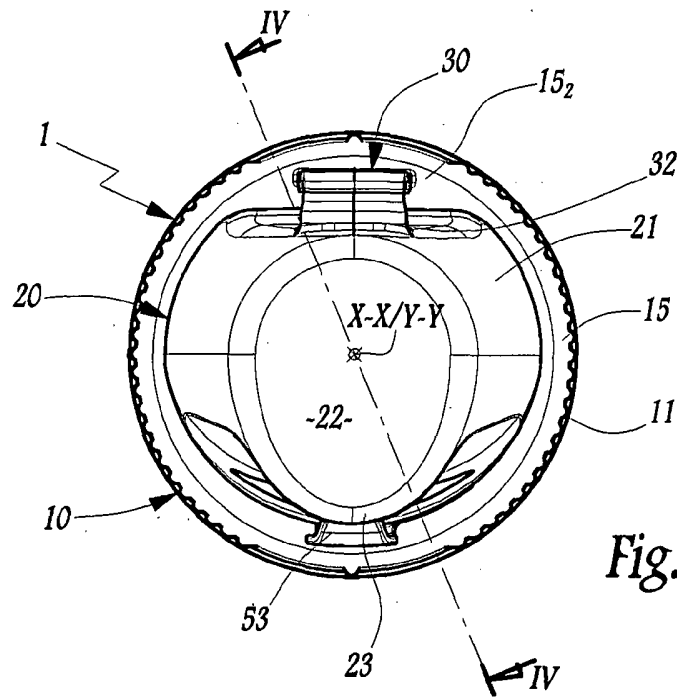


Fig. 3

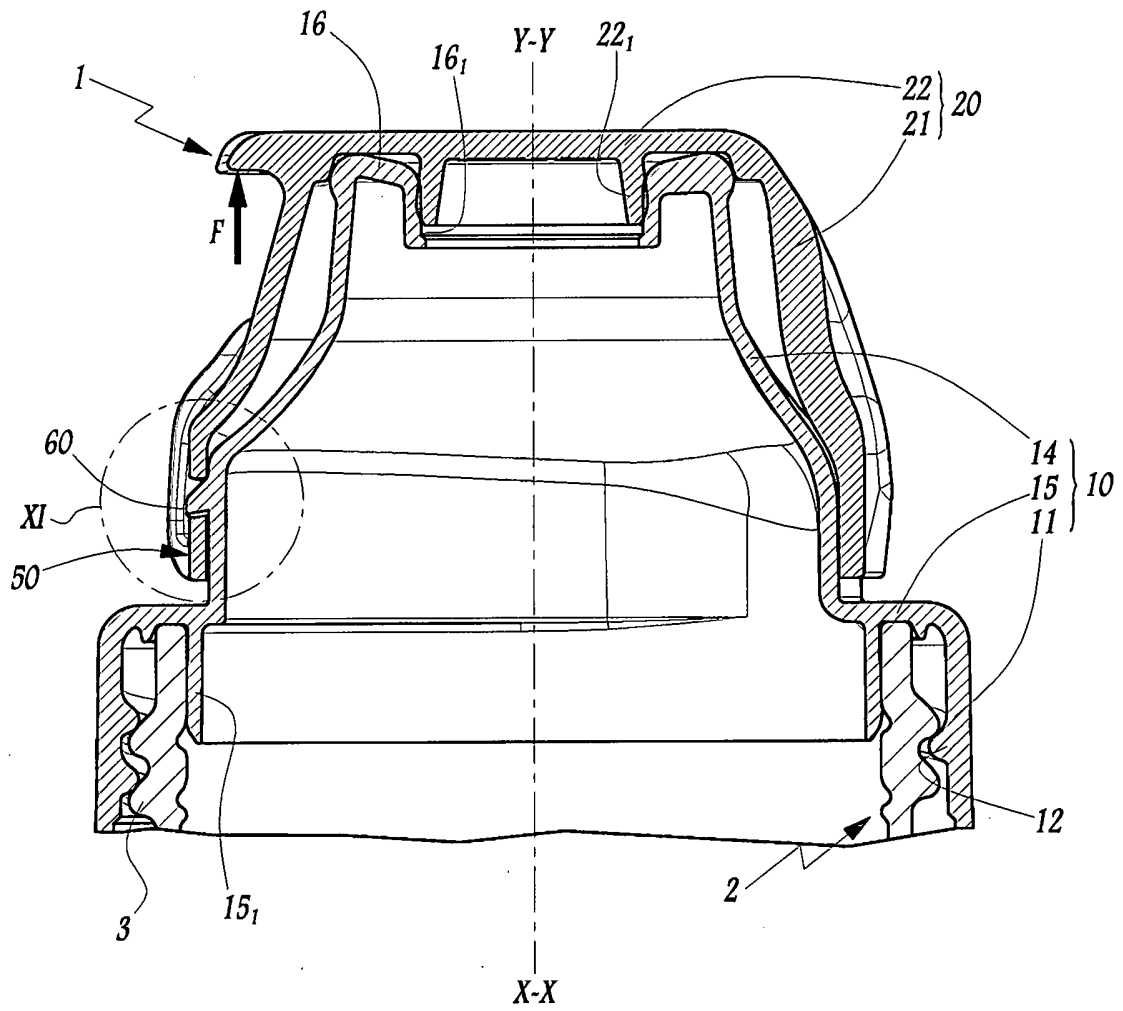


Fig. 4

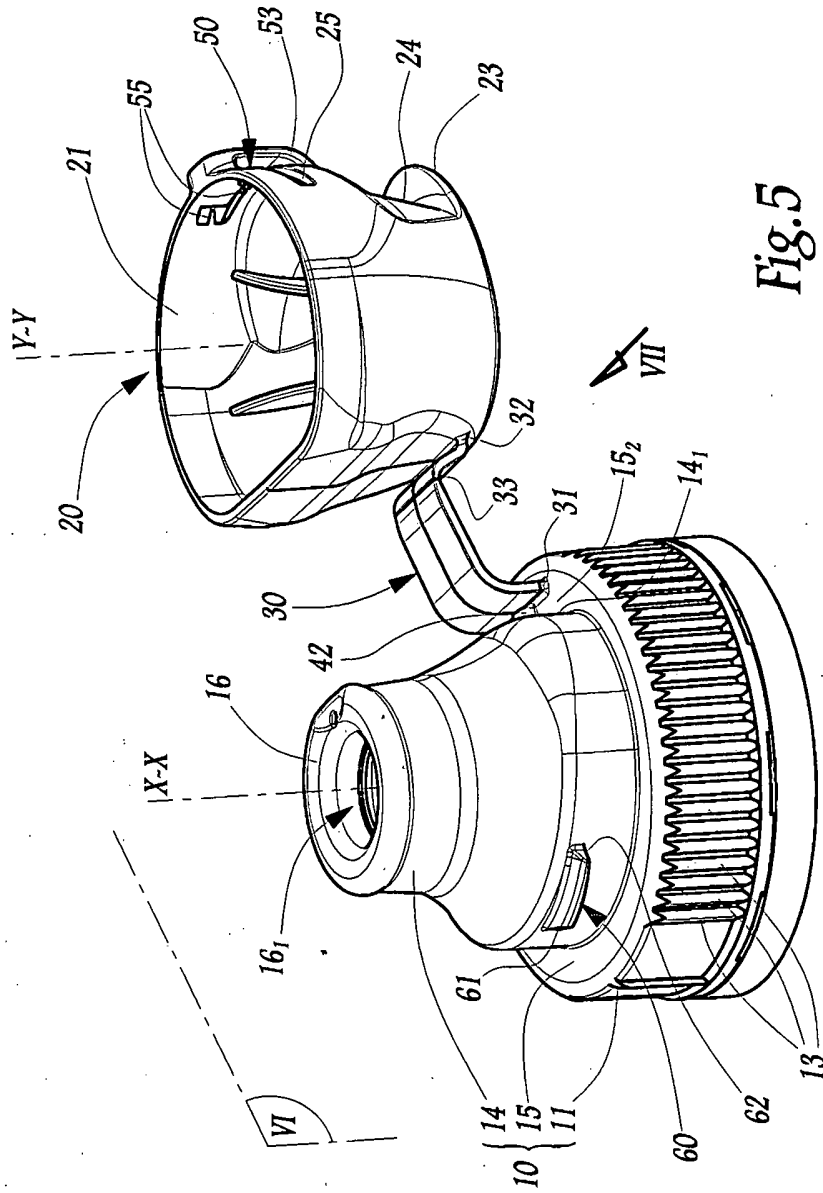


Fig. 5

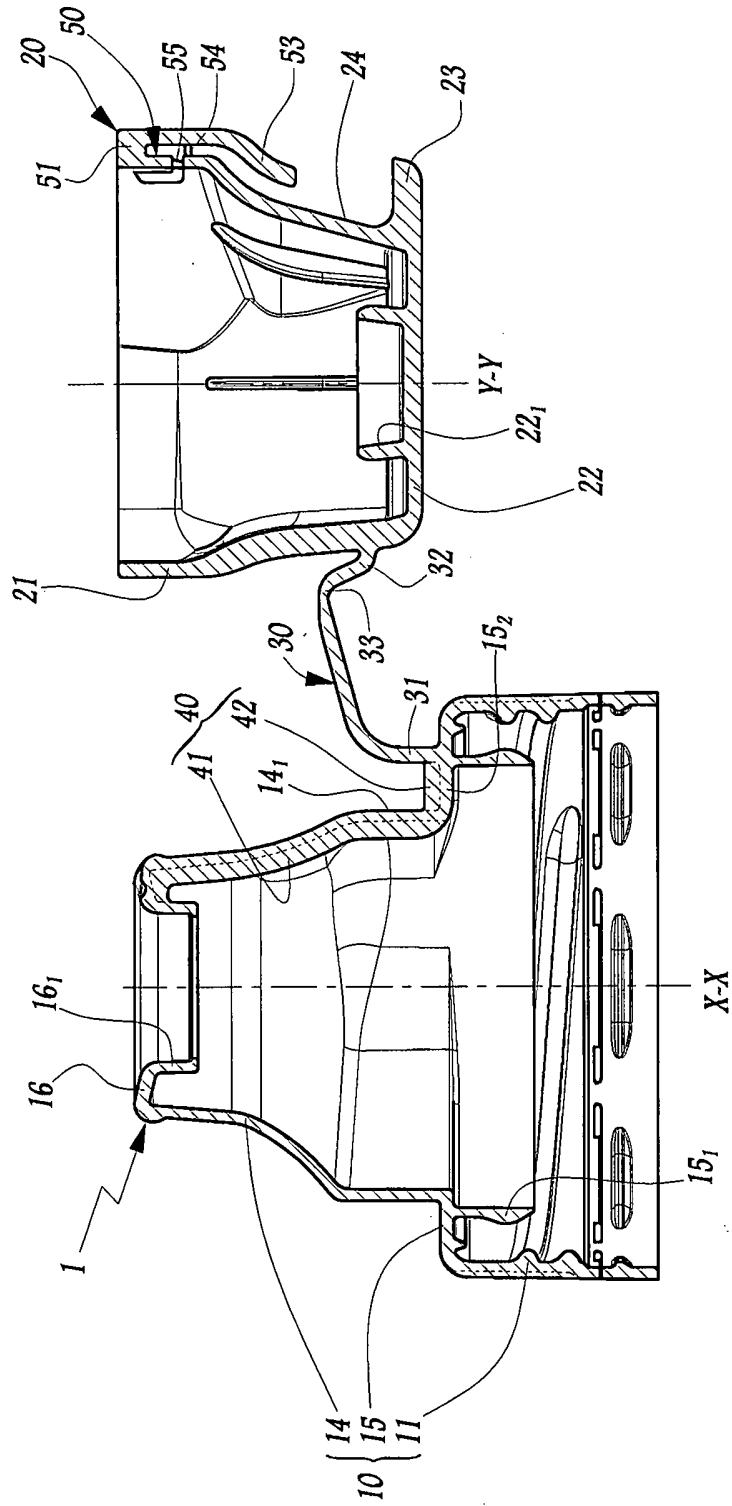
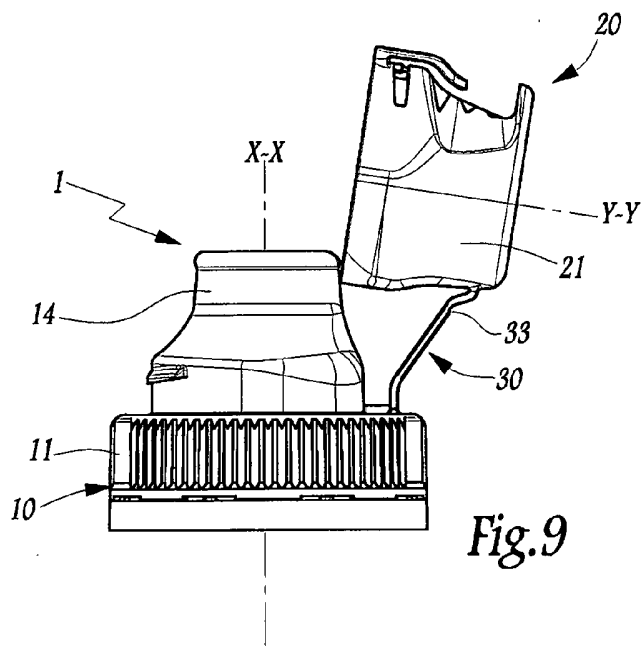
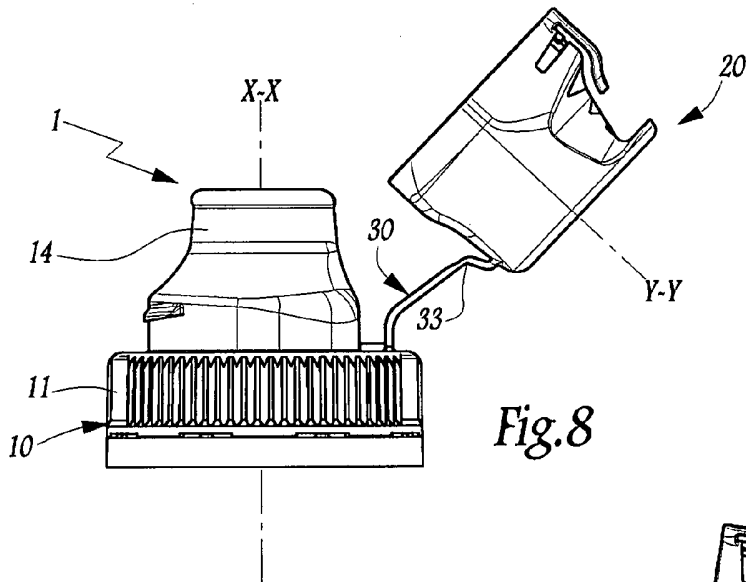
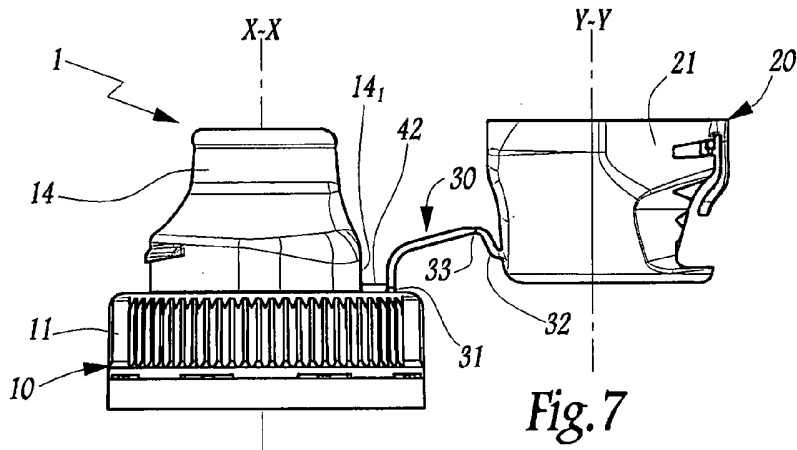


Fig. 6



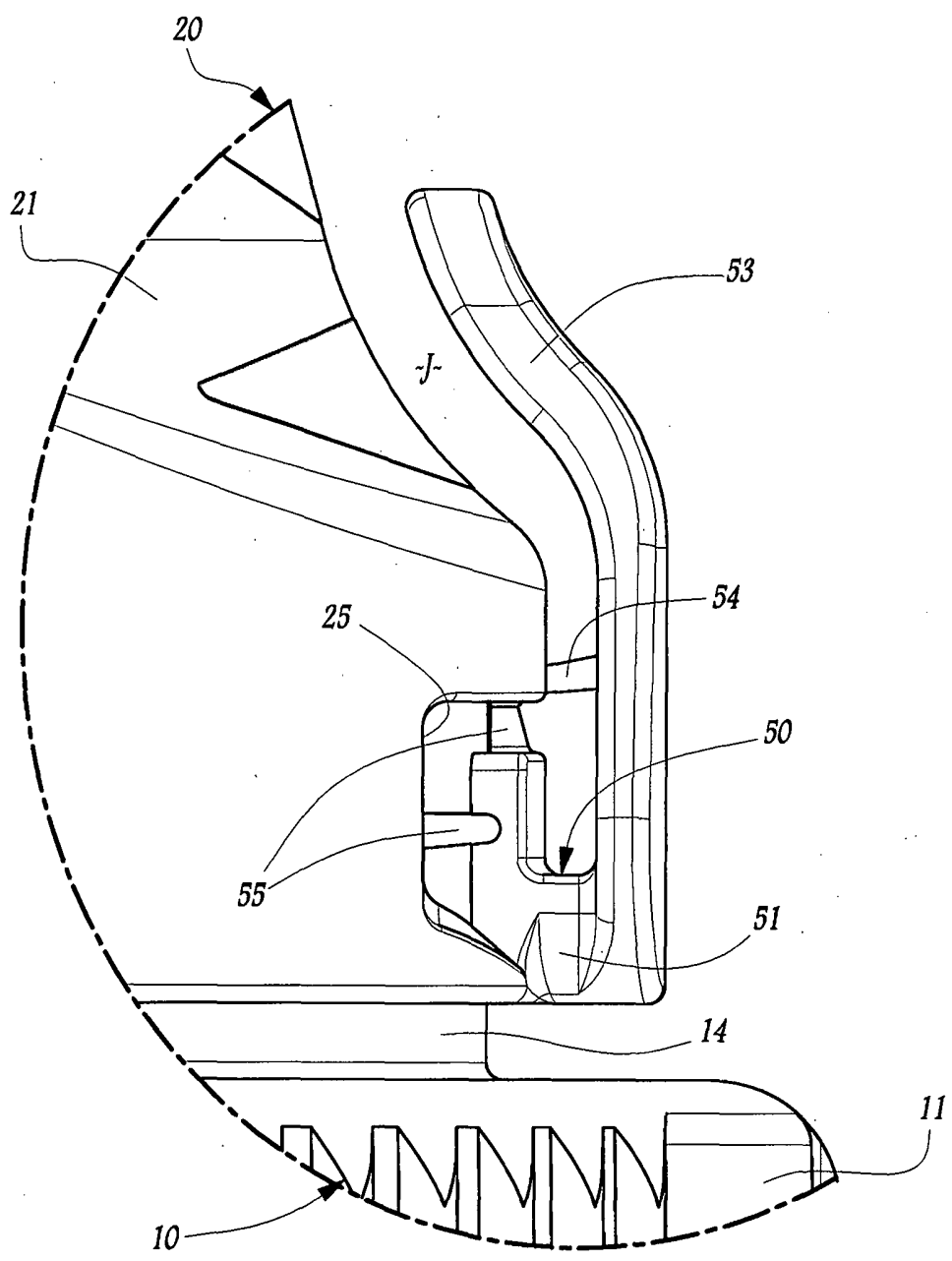


Fig. 10

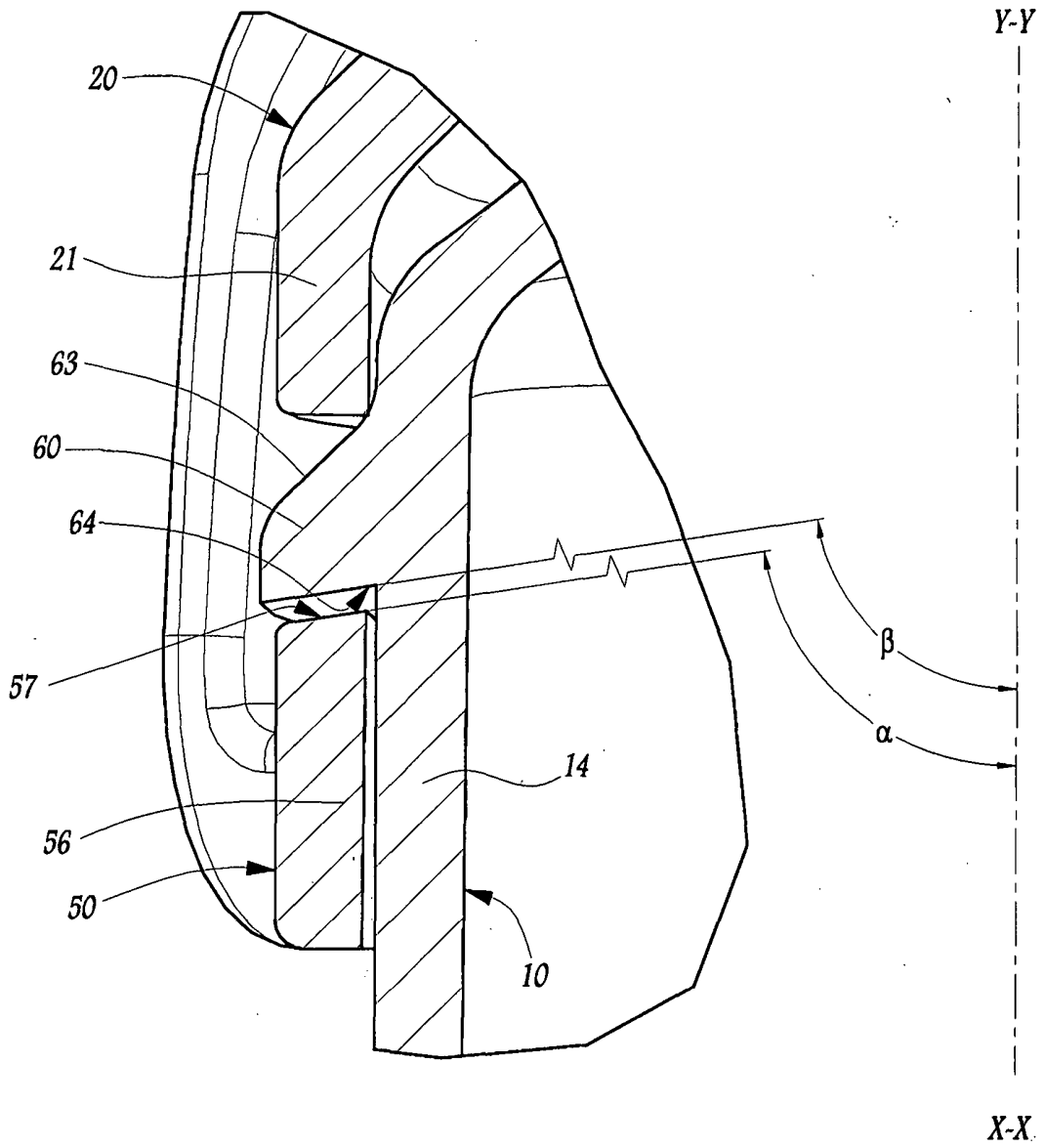


Fig. 11

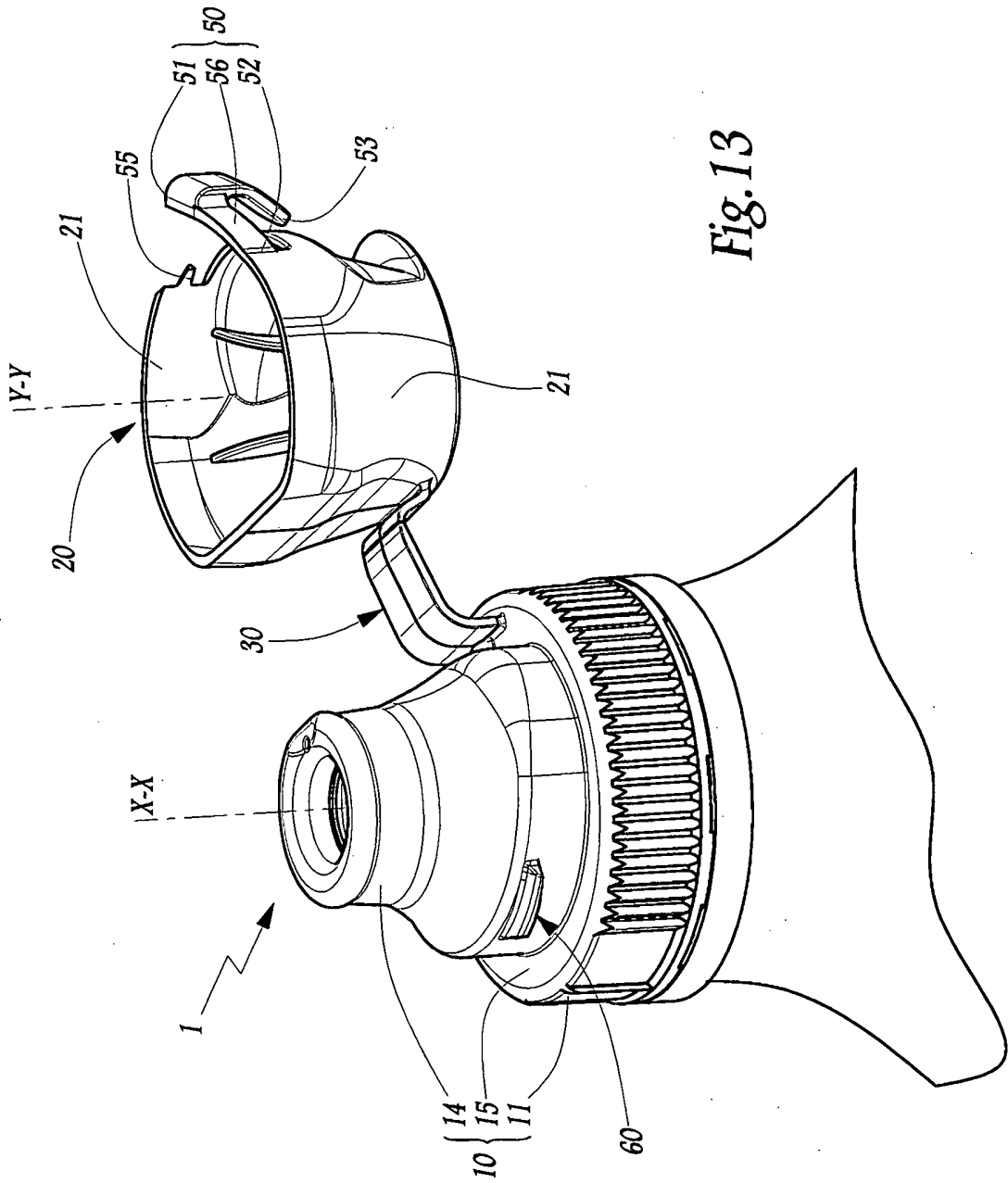


Fig. 13

REFERENCES CITED IN THE DESCRIPTION

This list of references cited by the applicant is for the reader's convenience only. It does not form part of the European patent document. Even though great care has been taken in compiling the references, errors or omissions cannot be excluded and the EPO disclaims all liability in this regard.

Patent documents cited in the description

- WO 2010128888 A [0004]

ZÁRÓESZKÖZ PALACKNYAKHOZ

Szabadalmi igénypontok

1. Záróeszköz (1) palack (2) nyakához, amely tartalmaz:

- alaptestet (10), amely összességében cső alakú és egy palack (2) nyakára erősíthetőn van kiképezve,

5 - kupakot (20), amely összességében cső alakú és az alaptesthez képest egy záró helyzet és egy nyitott helyzet között mozdítható el, ahol a záró helyzetben a kupak az alaptest nyílását (16₁) tömítetten zárja, miközben az alaptestet legalább részben fedi, míg a nyitott helyzetben a kupak az alaptest nyílásán keresztüli áramlás lehetővé tételéhez az alaptesttől távol helyezkedik el, továbbá a kupak a záró helyzetből nyitott helyzetbe való átvitelekor lényegében az alaptest tengelye (X-X) irányában és a palack

10 nyakával átellenes irányban kerül elmozdításra, és

- érintetlenségjelző eszközt (50, 60), amely annak látható jelzésére hivatott, vajon a kupak (20) első ízben átkerült-e már a záró helyzetéből a nyitott helyzetébe, ahol az érintetlenségjelző eszköz egy a kupak kerülete mentén módosíthatlan állapotában hosszában terjedő szalagot (50), valamint egy az alaptesttel (10) egyetlen darabként kiképezve összerősített és az alaptesten kívülre nyúló nyelvvel (60) tartalmaz, 15 **azzal jellemezve**, hogy a szalag (50) módosíthatlan állapotában a kupak (20) záró helyzetből nyitott helyzetbe történő elmozdulása megakadályozásához a nyelv (60) a szalag hosszanti futórészét (56) lényegében egy az alaptest tengelyével (X-X) párhuzamos irányban tartja vissza, továbbá a szalag (50) első hosszanti vége (51) a kupakról letörhetőn van a kupakkal (20) csatlakoztatva és vele egyetlen darabként kiképzett füllel (53) van ellátva, mellyel a szalag manuálisan mozgatható, miáltal a szalag első 20 vége és a kupak a közöttük lévő törékeny csatlakoztatást eltörve egymástól elválasztásra kerül, majd ezt követően a szalag második hosszanti vége (52) és a kupak közötti lévő nemtörékeny csatlakoztatást plasztikusan deformálva a szalag futórésze (56) a kupakon kívülre egy módosított állapot eléréséig kerül elmozdításra, amely módosított állapotban a kupak a záró helyzetéből a nyitott helyzetébe szabadon elmozdítható anélkül, hogy a nyelv a szalag futórészét visszatartaná.

25 2. Az 1. igénypont szerinti eszköz, **azzal jellemezve**, hogy a szalag (50) első vége (51) és a kupak (20) törékeny csatlakoztatása a kupakot az első vég fülével (53) összekapcsoló legalább egy törékeny hídai (54) és/vagy a kupakot az első vég főbbi részével összekapcsoló legalább egy törékeny hídai (55) foglal magában.

3. Az 1. vagy a 2. igénypont szerinti eszköz, **azzal jellemezve**, hogy a szalag (50) második vége (52) a kupakkal (20) tartósan van összekapcsolva.

30 4. Az 1. vagy a 2. igénypont szerinti eszköz, **azzal jellemezve**, hogy a szalag második vége leszakadó faggal van ellátva, amely egyrészt a szalag módosíthatlan állapotból módosított állapotba való átkerülésekor nem letépedőn, másrészt a szalag módosított állapotba kerülését követően a szalag kupakról való leválasztásához kézzel letépendőn van kiképezve.

5. Az előző igénypontok bármelyike szerinti eszköz, **azzal jellemezve**, hogy a szalag (50) módosíthatlan 35 állapotában a szalag (50) első vége (51) fülének (53) legalább egy része az első vég főbbi részéből, speciálisan egy a kupak tengelyével (Y-Y) lényegében párhuzamos irányban kinyúlik és a kupak külső felületét adott játékkal (J) részben fedi.

6. Az előző igénypontok bármelyike szerinti eszköz, **azzal jellemezve**, hogy a szalag (50) módosítatlan állapotában és a kupak (20) záró helyzetében a szalag futórésze (56) hordfelületet (57) határol, amely az alaptest tengelye (X-X) irányában egy a nyelvvel (60) határos ütközőfelületre (64) néz.

7. A 6. igénypont szerinti eszköz, **azzal jellemezve**, hogy a hordfelület (57) és a ütközőfelület (64) egymással érintkezés útján együttműködően olyan módon vannak kiképezve, hogy – amíg a szalag (50) a módosítatlan állapotában van – a kupak (20) záró helyzetből nyitott helyzetbe történő átvitelének megkísérlésekor a szalag futórészét (56) a ütközőfelületet (64) az alaptest külső felületével összekapcsoló gyűrű (10) lépcsős részéhez terelik és annak nekinyomják.

8. A 7. igénypont szerinti eszköz, **azzal jellemezve**, hogy a hordfelület (57) és/vagy az ütközőfelület (64) tengelyirányú síkmetszetben lényegében egyenes által határolt profillal rendelkezik, amely a palack (2) nyaka felé néző oldalon a kupak tengelyével (Y-Y) és/vagy az alaptest (10) tengelyével (X-X) rendre 90°-nál szigorúan kisebb szöget (α , β) zár be.

9. Az előző igénypontok bármelyike szerinti eszköz, **azzal jellemezve**, hogy a szalag (50) módosítatlan állapotában és a kupak (20) záró helyzetében a nyelvnek (60) az alaptest (10) kerülete mentén a szalag második végével (52) lényegében tengelyesen átellenben lévő vége (62) van, míg a nyelv átellenes vége (61) a szalag futórészével (56) tengelyesen szemben helyezkedik el.

10. Az előző igénypontok bármelyike szerinti eszköz, **azzal jellemezve**, hogy az eszköz (1) – előnyösen mindössze egy – pántot (30) is tartalmaz, amely az alaptestet (10) a kupakkal (20) tartósan kapcsolja össze, továbbá speciálisan egy, összességében az alaptest tengelyéhez képest lényegében ortoradiális geometriai tengely (X-X) körül elfordíthatón megvezeti a kupak záró és nyitott helyzete közötti átmenetét.

11. A 10. igénypont szerinti eszköz, **azzal jellemezve**, hogy a szalag (50) módosítatlan állapotában, a szalag első vége (51) – a kupak (20) kerülete mentén – a pánt (30) végével (32) diametrálisan átellenben, a kupakkal összekapcsolatlan helyezkedik el.

12. A 10. vagy a 11. igénypont szerinti eszköz, **azzal jellemezve**, hogy a pánt (30) az alaptesttel (10) és a kupakkal (20) összekapcsolt szemközti végei (31, 32) között lényegében állandó vastagságú, leszámítva egy vékonyabb keresztirányú vonalat (33), ami a kupakhoz közelebb van, mint az alaptesthez, továbbá az alaptest és a kupak között relatív forgástengelyt képez.

13. A 10-12. igénypontok bármelyike szerinti eszköz, **azzal jellemezve**, hogy az alaptest (10) egy a palack (2) nyaka körüli rögzítésre alkalmasan kiképzett eső alakú fő testtel (11), valamint egy a fő testtel egytengelyűen elrendezett csutorát (14) tartalmaz, ahol a csutora egy a fő test belső felületét a csutora külső felületével összekapcsoló gyűrű alakú fallal (15) van a fő testhez csatlakoztatva,

továbbá a csutora (14) külső sík tartománnyal (14₁) rendelkezik, melynek kerületmenti szintjén helyezkedik el a pánt (30) vége (31), a sík tartomány az alaptesttel (10) anélkül kapcsolódik össze, hogy a gyűrű alakú fallal (15) kölesönhatna, miáltal egy a gyűrű alakú falat a fő testtel (11) összekapcsoló és az alaptest (10) külső kerületén folytonosan terjedő lépcsős rész képződik.

14. Az előző igénypontok bármelyike szerinti eszköz, azzal jellemezve, hogy az alaptest (10), a kupak (20), a szalag (50) és a nyelv (60), valamint ha esetében alkalmazható, akkor maga a pánt (30) is, műanyagból, speciálisan organoleptikus minőségű polietilénből egyetlen darabként van fröccsöntve.

- 5 15. A 13. és a 14. igénypont együttese szerinti eszköz, azzal jellemezve, hogy az eszköznek (1) műanyag befecskendező csatornája (40) van, amely egymás után áthalad
- a csutora (14) axiális végei között a csutora belseje felé kiállón,
 - a gyűrű alakú fal (15) belső és külső kerületi vége között az alaptesten (10) kívüli tartomány felé kiállón,
 - és
 - a pánt (30) szemközti végei (31, 32) között.