



US00D668604S

(12) **United States Design Patent**
Elison et al.

(10) **Patent No.:** **US D668,604 S**

(45) **Date of Patent:** **** Oct. 9, 2012**

(54) **BATTERY**

(75) Inventors: **Nicholas E. Elison**, Milwaukee, WI
(US); **Glenn W. Andersen**, Hartford, WI
(US)

(73) Assignee: **Johnson Controls Technology Company**, Holland, MI (US)

(**) Term: **14 Years**

(21) Appl. No.: **29/404,786**

(22) Filed: **Oct. 25, 2011**

(51) **LOC (9) Cl.** **13-02**

(52) **U.S. Cl.** **D13/106**

(58) **Field of Classification Search** D13/102-106,
D13/110, 118-119, 184; 429/96-100, 149,
429/163, 176, 187

See application file for complete search history.

(56) **References Cited**

U.S. PATENT DOCUMENTS

| | | | |
|--------------|---------|-----------------|---------|
| D64,969 S | 6/1924 | Glidden | |
| D67,258 S | 5/1925 | Bello | |
| D68,262 S | 9/1925 | Klug | |
| D70,400 S | 6/1926 | Campbell | |
| D75,446 S | 6/1928 | Rieser | |
| 2,724,360 A | 11/1955 | Crookshank | |
| D181,079 S * | 9/1957 | Toce | D13/104 |
| D183,777 S * | 10/1958 | Weiss | D3/280 |
| D188,421 S | 7/1960 | Slautterback | |
| 3,105,909 A | 10/1963 | Jones | |
| D197,519 S | 2/1964 | Rohe | |
| D211,348 S | 6/1968 | Redman | |
| D239,837 S | 5/1976 | Hennen | |
| 3,963,972 A | 6/1976 | Todd | |
| D252,354 S | 7/1979 | Uyeda | |
| 4,346,151 A | 8/1982 | Uba et al. | |
| D266,757 S | 11/1982 | Campbell et al. | |
| 4,510,215 A | 4/1985 | Adam | |
| D289,995 S * | 5/1987 | Armiger | D15/144 |
| D292,576 S | 11/1987 | Kump et al. | |
| D298,029 S | 10/1988 | Foster | |
| D299,227 S * | 1/1989 | Grannen, III | D13/104 |

| | | |
|-------------|---------|--------------------|
| D303,373 S | 9/1989 | Ching, Jr. |
| D303,519 S | 9/1989 | Lopez-Doriga |
| D303,652 S | 9/1989 | Lopez-Doriga |
| D303,653 S | 9/1989 | Lopez-Doriga |
| D304,926 S | 12/1989 | Ching, Jr. |
| D304,927 S | 12/1989 | Ching, Jr. |
| 4,891,270 A | 1/1990 | Jergl et al. |
| D307,133 S | 4/1990 | Ching, Jr. |
| D307,886 S | 5/1990 | Ching, Jr. et al. |
| D310,205 S | 8/1990 | Hedrlington et al. |
| D310,821 S | 9/1990 | Hulsebus et al. |
| D318,025 S | 7/1991 | Moritaka |
| D327,051 S | 6/1992 | Schwartz |
| 5,283,137 A | 2/1994 | Ching |
| D344,676 S | 3/1994 | Newman |
| D356,993 S | 4/1995 | Koster |
| 5,415,956 A | 5/1995 | Ching |
| D367,042 S | 2/1996 | Morrow |

(Continued)

OTHER PUBLICATIONS

Photographs of "old" Optima battery with a date stamp of Week 47, 1990.

(Continued)

Primary Examiner — Rosemary K Tarca

(74) *Attorney, Agent, or Firm* — Boardman & Clark LLP

(57) **CLAIM**

The ornamental design for a battery, as shown and described.

DESCRIPTION

FIG. 1 is a top isometric view of the battery according to an exemplary embodiment;

FIG. 2 is a first side elevation view thereof;

FIG. 3 is a first end elevation view thereof;

FIG. 4 is a second side elevation view thereof;

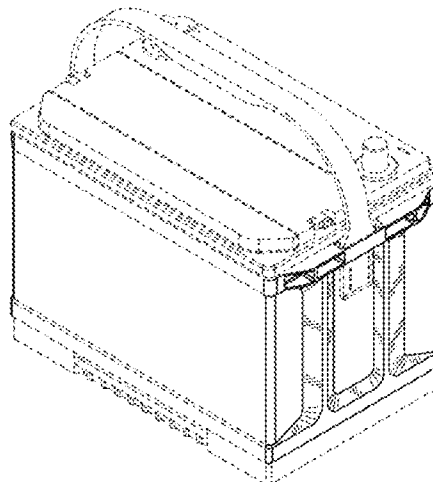
FIG. 5 is a second end elevation view thereof;

FIG. 6 is a top plan view thereof; and,

FIG. 7 is a bottom plan view thereof.

The broken lines shown in the figures are for illustrative purposes only, and form no part of the claimed design.

1 Claim, 7 Drawing Sheets



US D668,604 S

U.S. PATENT DOCUMENTS

| | | | | | | | |
|---------------|---------|-----------------------|---------|-----------------|---------|--------------------|---------|
| 5,492,779 A | 2/1996 | Ronning | | D553,565 S | 10/2007 | Kawakita et al. | |
| D372,701 S | 8/1996 | Tahmassebpur | | D562,229 S | 2/2008 | Peters | |
| 5,599,641 A | 2/1997 | Ching, Jr. et al. | | 7,332,243 B2 | 2/2008 | Cummins et al. | |
| 5,663,008 A * | 9/1997 | Shimakawa et al. | 429/443 | D600,202 S | 9/2009 | Mack | |
| 5,686,202 A | 11/1997 | Hooke et al. | | D604,696 S * | 11/2009 | Tasai | D13/104 |
| 5,763,116 A | 6/1998 | Lapinski et al. | | D606,938 S | 12/2009 | Mack | |
| D401,551 S | 11/1998 | Kim | | D606,939 S | 12/2009 | Mack | |
| 5,856,037 A | 1/1999 | Casale et al. | | D606,940 S | 12/2009 | Mack | |
| 5,871,862 A | 2/1999 | Olson | | D607,405 S | 1/2010 | Mack | |
| D406,258 S | 3/1999 | Segers | | D607,406 S | 1/2010 | Mack | |
| 5,895,728 A | 4/1999 | Walker et al. | | D607,407 S | 1/2010 | Mack | |
| 5,977,746 A | 11/1999 | Hershberger et al. | | D608,283 S | 1/2010 | Mack | |
| 5,998,062 A | 12/1999 | Olson | | D609,178 S | 2/2010 | Mack | |
| 6,022,638 A | 2/2000 | Horton et al. | | D609,179 S | 2/2010 | Mack | |
| 6,023,146 A | 2/2000 | Casale et al. | | D609,631 S | 2/2010 | Mack | |
| 6,025,086 A | 2/2000 | Ching | | D610,089 S | 2/2010 | Mack | |
| 6,153,331 A | 11/2000 | Brantley et al. | | D614,126 S | 4/2010 | Chen | |
| 6,174,618 B1 | 1/2001 | Nishiyama et al. | | D621,353 S | 8/2010 | Mack | |
| 6,183,903 B1 | 2/2001 | Campbell et al. | | D623,127 S * | 9/2010 | Seyama et al. | D13/104 |
| D442,542 S | 5/2001 | Dougherty et al. | | D625,253 S | 10/2010 | Mack | |
| 6,303,247 B1 | 10/2001 | Griffey et al. | | D625,254 S | 10/2010 | Mack | |
| D450,653 S | 11/2001 | Hertel et al. | | D633,864 S * | 3/2011 | Qualls et al. | D13/106 |
| D458,900 S | 6/2002 | Carter et al. | | D635,508 S * | 4/2011 | Seyama et al. | D13/104 |
| 6,399,238 B1 | 6/2002 | Oweis et al. | | D635,509 S | 4/2011 | Mack | |
| D462,656 S | 9/2002 | Degen et al. | | 2003/0059676 A1 | 3/2003 | Rodriguez et al. | |
| D466,478 S | 12/2002 | Bolstad et al. | | 2004/0170888 A1 | 9/2004 | Cummins et al. | |
| D491,138 S | 6/2004 | Minato | | 2005/0069762 A1 | 3/2005 | Daley et al. | |
| D495,994 S | 9/2004 | Arakelian | | | | | |
| D499,070 S | 11/2004 | Lavington | | | | | |
| 6,929,882 B1 | 8/2005 | Carter | | | | | |
| D517,479 S | 3/2006 | Schemm | | | | | |
| D517,987 S | 3/2006 | Castagnola et al. | | | | | |
| D517,988 S | 3/2006 | Ihde et al. | | | | | |
| D527,344 S | 8/2006 | Rajpara et al. | | | | | |

OTHER PUBLICATIONS

Optima Batteries brochure entitled "The Ultimate Power Source" dated Mar. 2007.

Optima Batteries New Product Announcement, 2008.

* cited by examiner

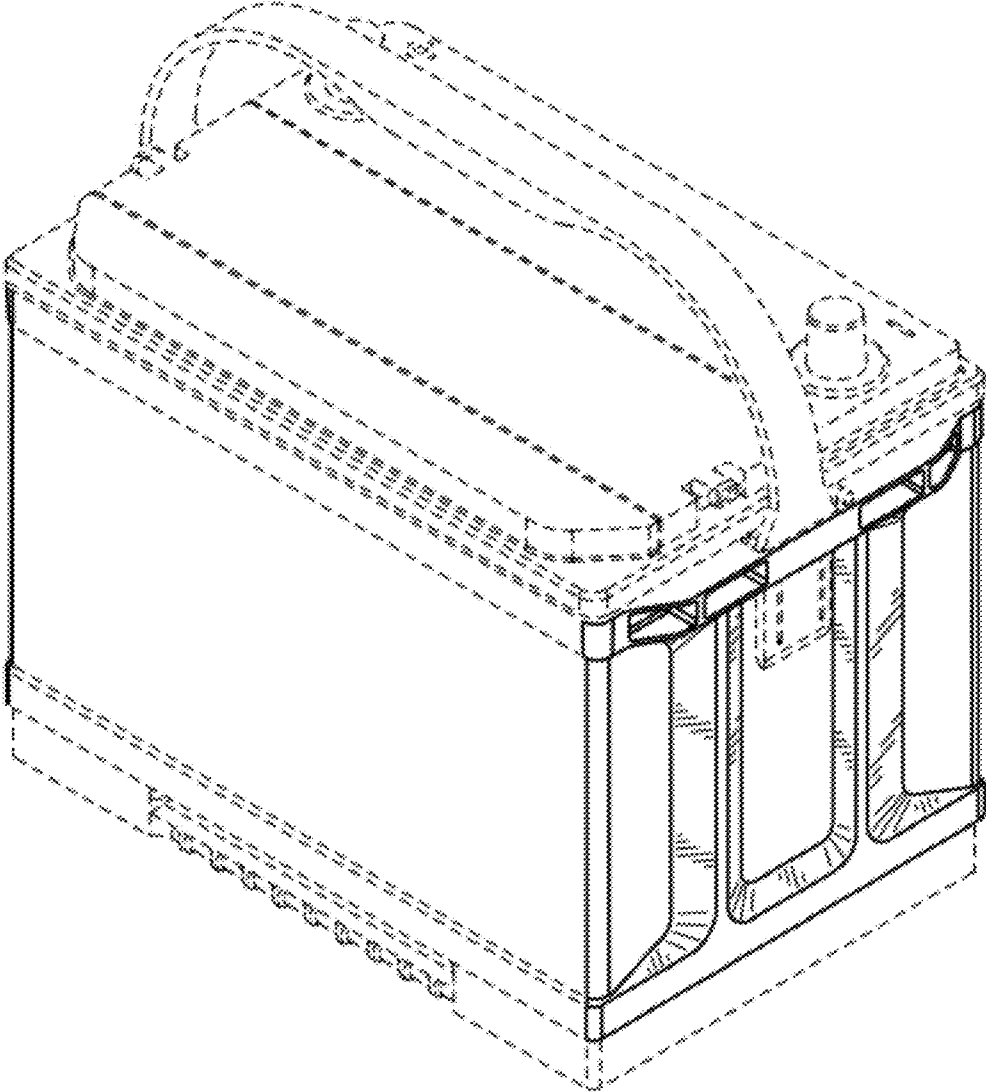


FIG. 1

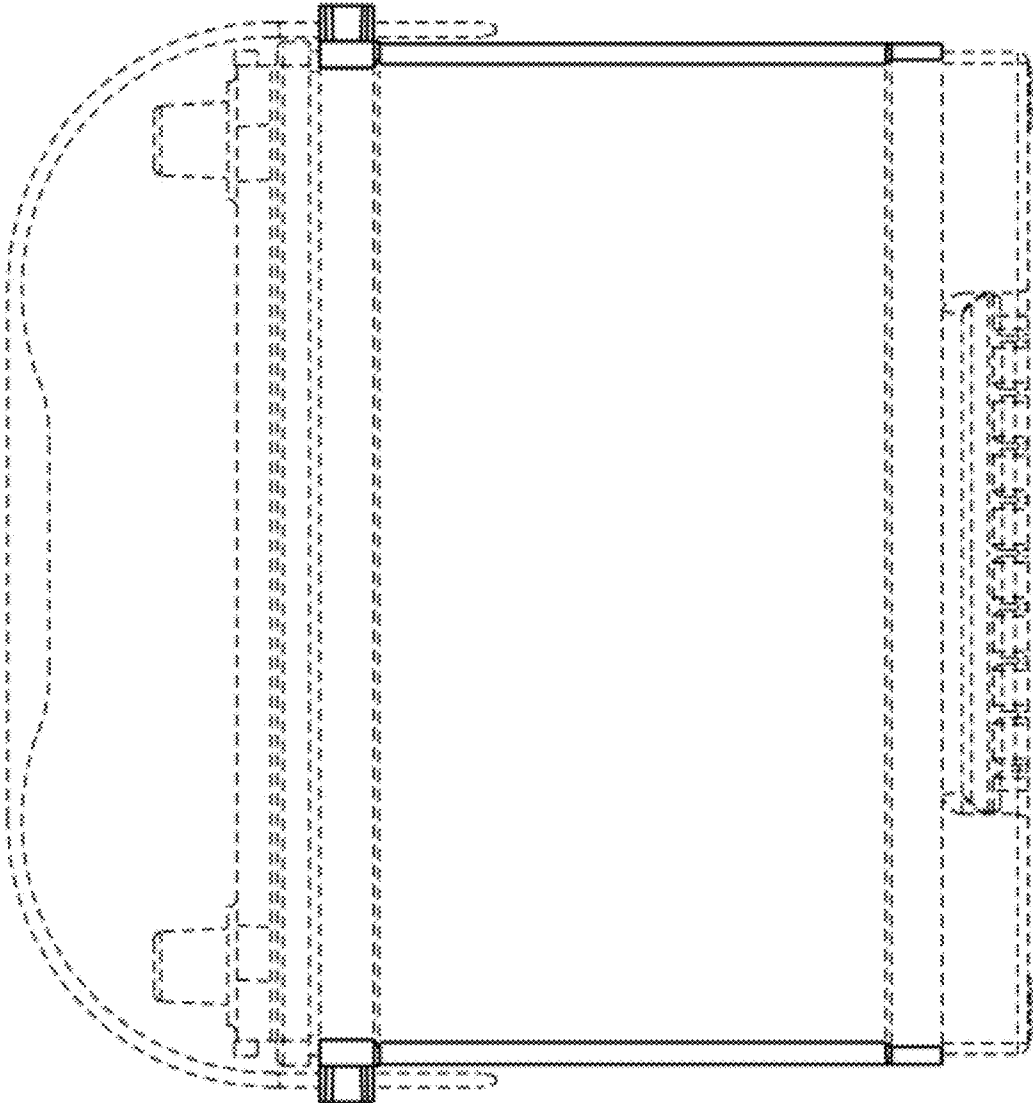


FIG. 2

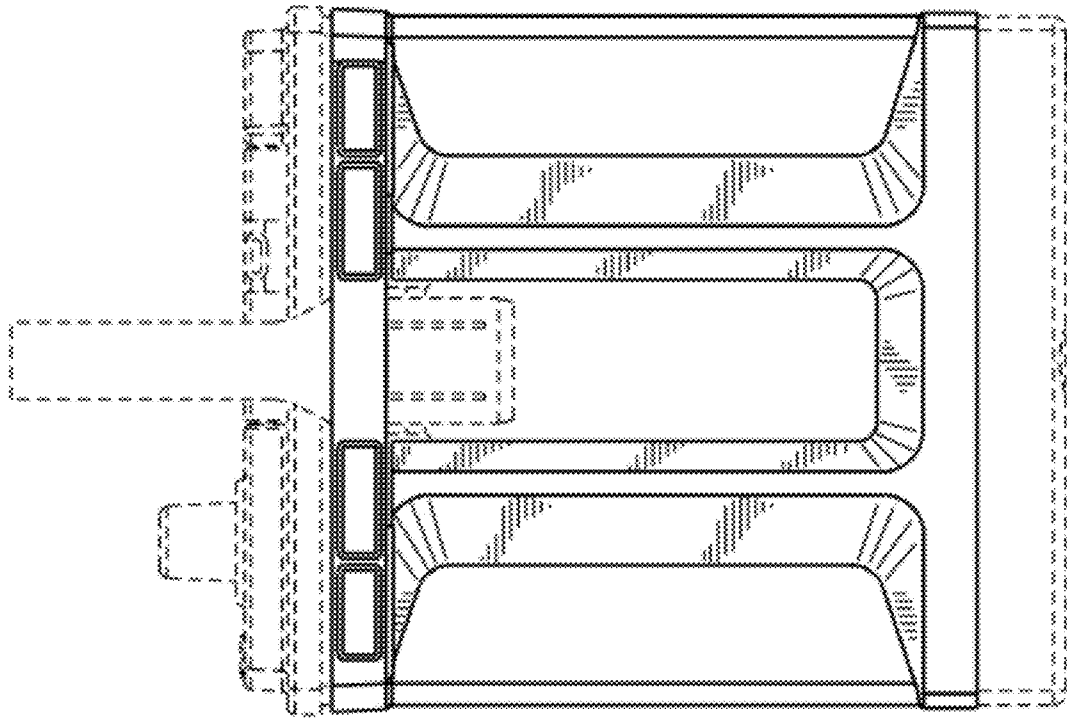


FIG. 3

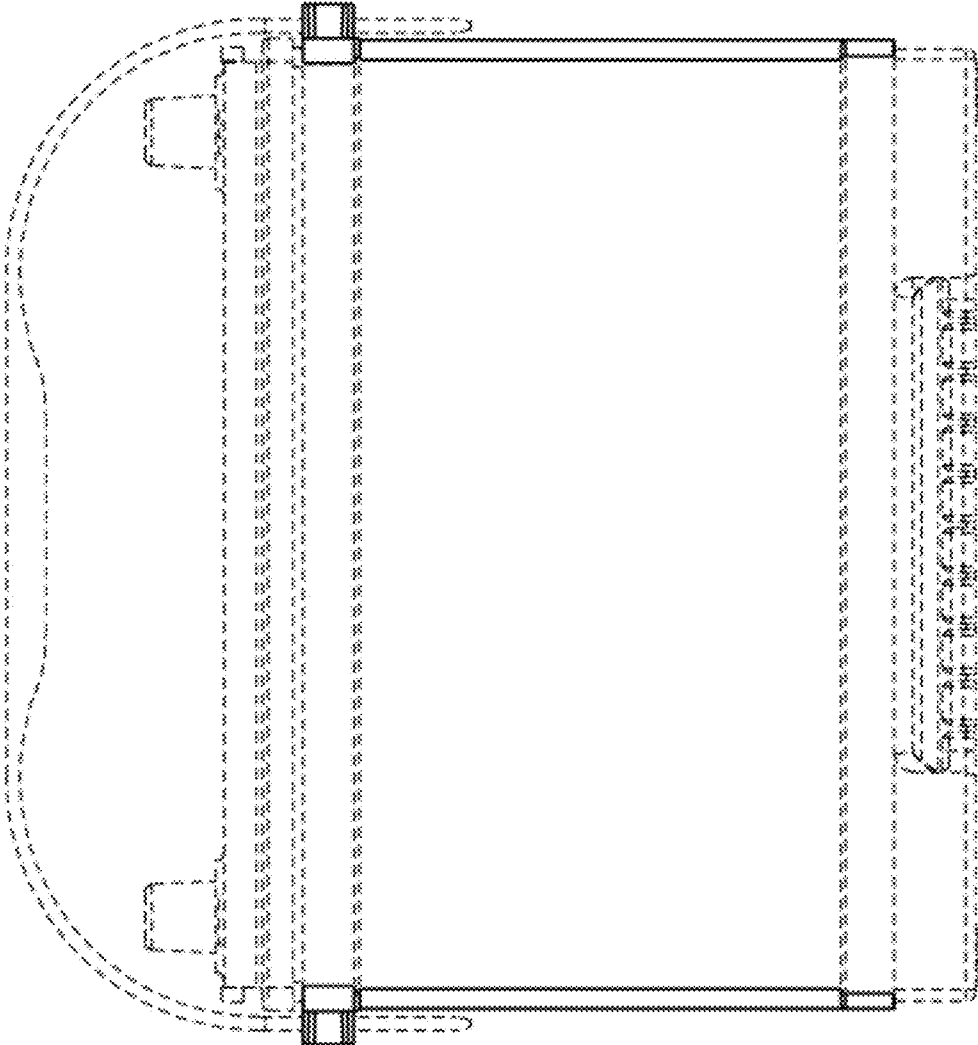


FIG. 4

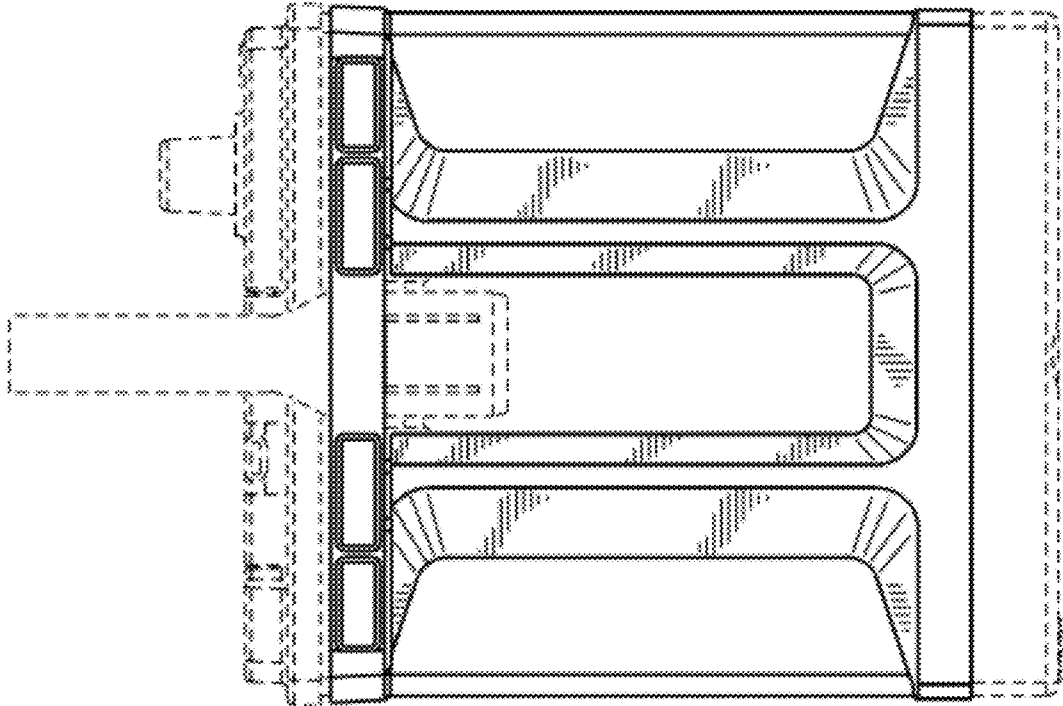


FIG. 5

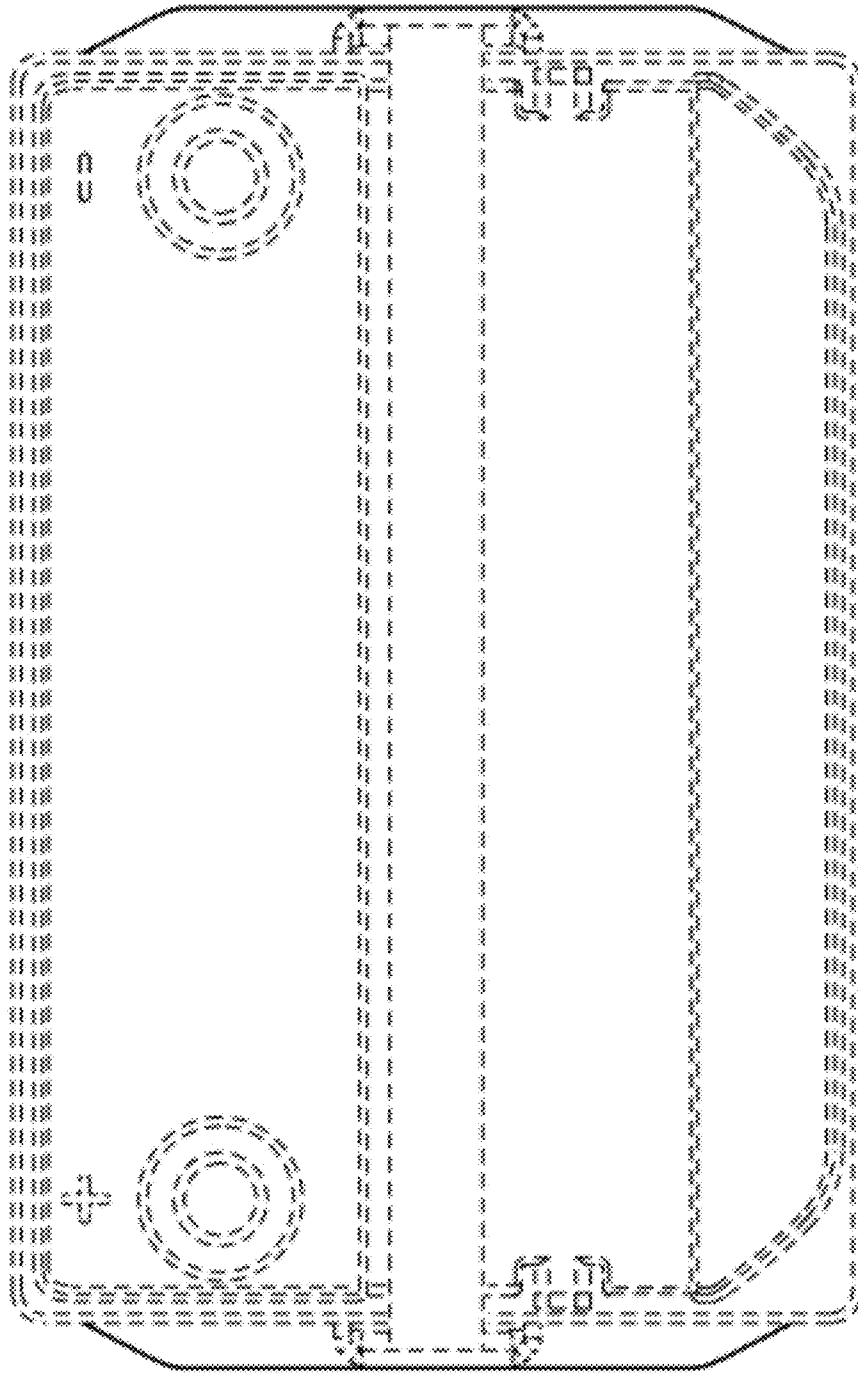


FIG. 6

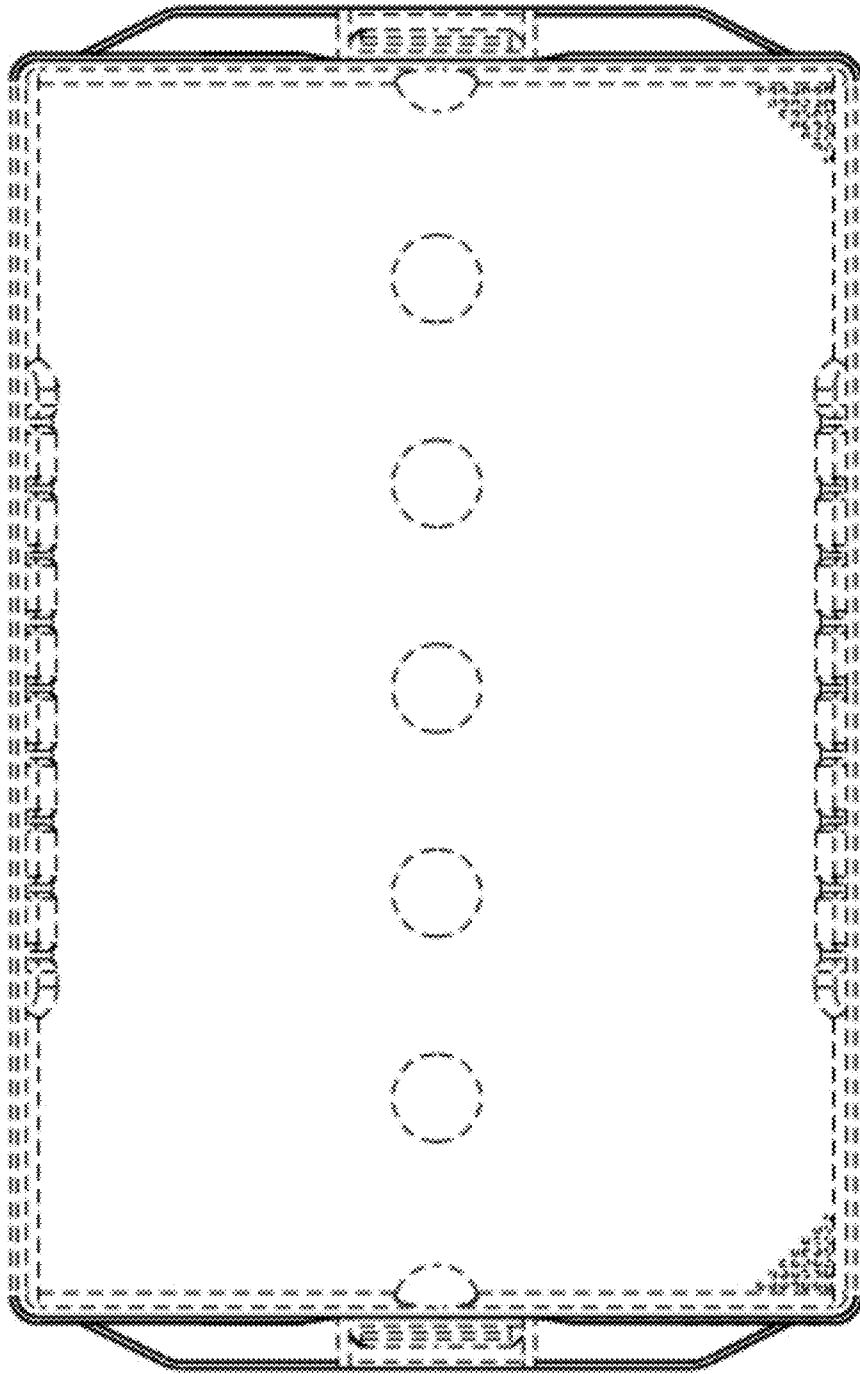


FIG. 7