



US0D1014686S

(12) **United States Design Patent**
Cai

(10) **Patent No.:** **US D1,014,686 S**

(45) **Date of Patent:** **** Feb. 13, 2024**

(54) **BEACH TENT**

(71) Applicant: **Qinglin Cai**, Nanping (CN)

(72) Inventor: **Qinglin Cai**, Nanping (CN)

(**) Term: **15 Years**

(21) Appl. No.: **29/915,201**

(22) Filed: **Oct. 26, 2023**

(30) **Foreign Application Priority Data**

Sep. 16, 2023 (CN) 202330605039.6

(51) **LOC (14) Cl.** **21-04**

(52) **U.S. Cl.**

USPC **D21/834; D21/837**

(58) **Field of Classification Search**

USPC D21/834, 837, 838; D25/16, 18, 56

CPC E04H 15/005; E04H 15/20; E04H 15/425;

E04H 15/28; E04H 15/44; E04H 15/46;

E04H 15/58; E04H 15/00

See application file for complete search history.

(56) **References Cited**

U.S. PATENT DOCUMENTS

D544,062	S	*	6/2007	Baker	D21/837
D555,748	S	*	11/2007	Gyr	D21/837
D749,686	S	*	2/2016	Gilmore	D21/834
D761,372	S	*	7/2016	Cihal	D21/837
D824,475	S		7/2018	Xu		
D925,686	S	*	7/2021	Guo	D21/834
D960,277	S	*	8/2022	Lah	D21/837
2012/0240970	A1	*	9/2012	Parsons	E04H 15/425
						135/126
2013/0333737	A1	*	12/2013	Williams	E04H 6/005
						135/97

FOREIGN PATENT DOCUMENTS

CN 306929841 * 11/2021

OTHER PUBLICATIONS

Tenai Brand—Large Portable Tent for 2 to 4 People, Easy Installation Awning, UPF 50+ with Extendable Floor, as shown in www.amazon.com.mx, Oct. 9, 2023, ASIN B0CH7R7CCG. (Year: 2023).*

Tenrai—Large 4-6 Person Portable Beach Tent, Outdoor UPF 50+ Protection with Extendable Floor, Easy Installation Canopy, Combats 20 Mph Winds, as shown in www.amazon.com.mx, Oct. 22, 2023, ASIN B0CKF5PZM8. (Year: 2023).*

* cited by examiner

Primary Examiner — Gino Colan

Assistant Examiner — Gregory G McLemore

(57) **CLAIM**

The ornamental design for a beach tent, as shown and described.

DESCRIPTION

FIG. 1 is a front, top perspective view of a beach tent, showing my new design;

FIG. 2 is a rear, top perspective view thereof;

FIG. 3 is a front elevation view thereof;

FIG. 4 is a rear elevation view thereof;

FIG. 5 is a left side elevation view thereof;

FIG. 6 is a right side elevation view thereof;

FIG. 7 is a top plan view thereof;

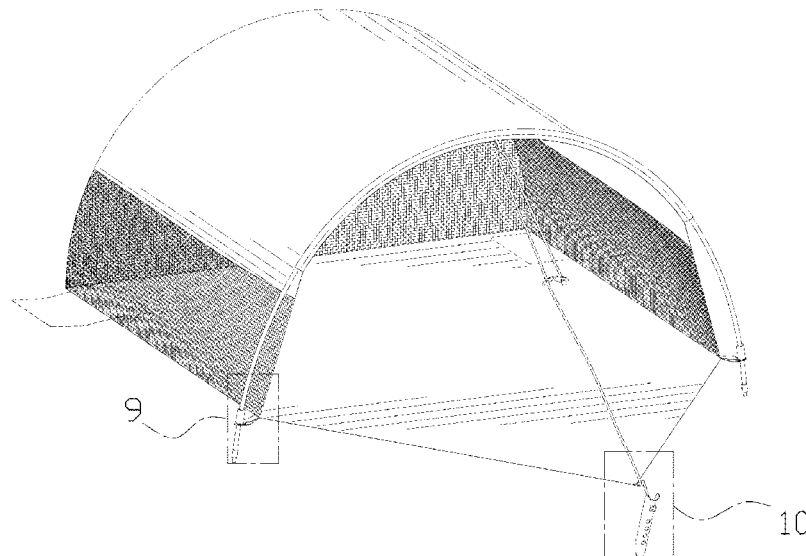
FIG. 8 is a bottom plan view thereof;

FIG. 9 is an enlarged view of detail “9” identified in FIG. 1; and,

FIG. 10 is an enlarged view of detail “10” identified in FIG. 1.

The dashed lines in the figures illustrate portions of the beach tent that form no part of the claimed design. The dash dot dash lines in FIGS. 1, 9 and 10 are for the purpose of illustrating the enlarged view indicators and form no part of the claimed design.

1 Claim, 10 Drawing Sheets



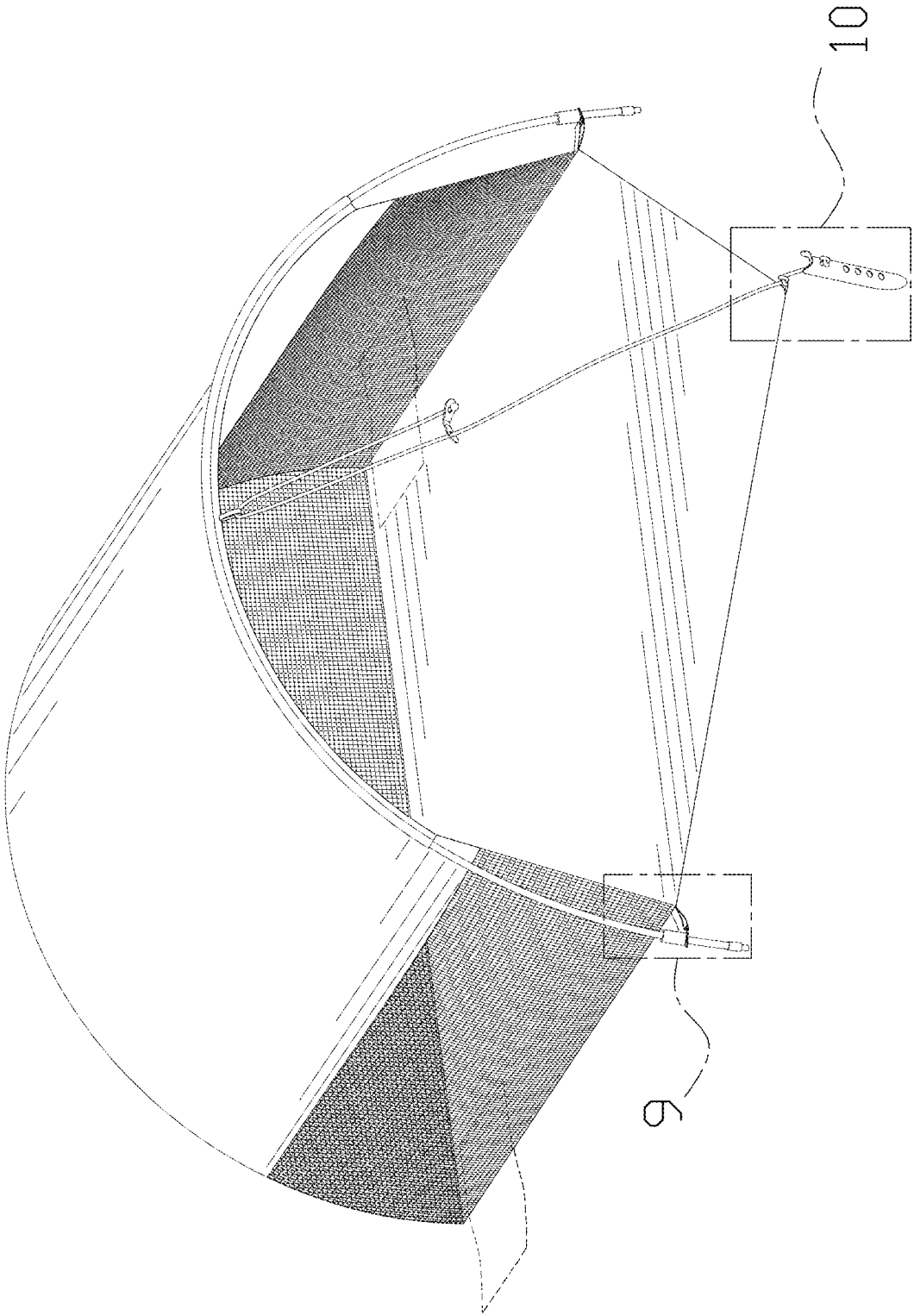


FIG. 1

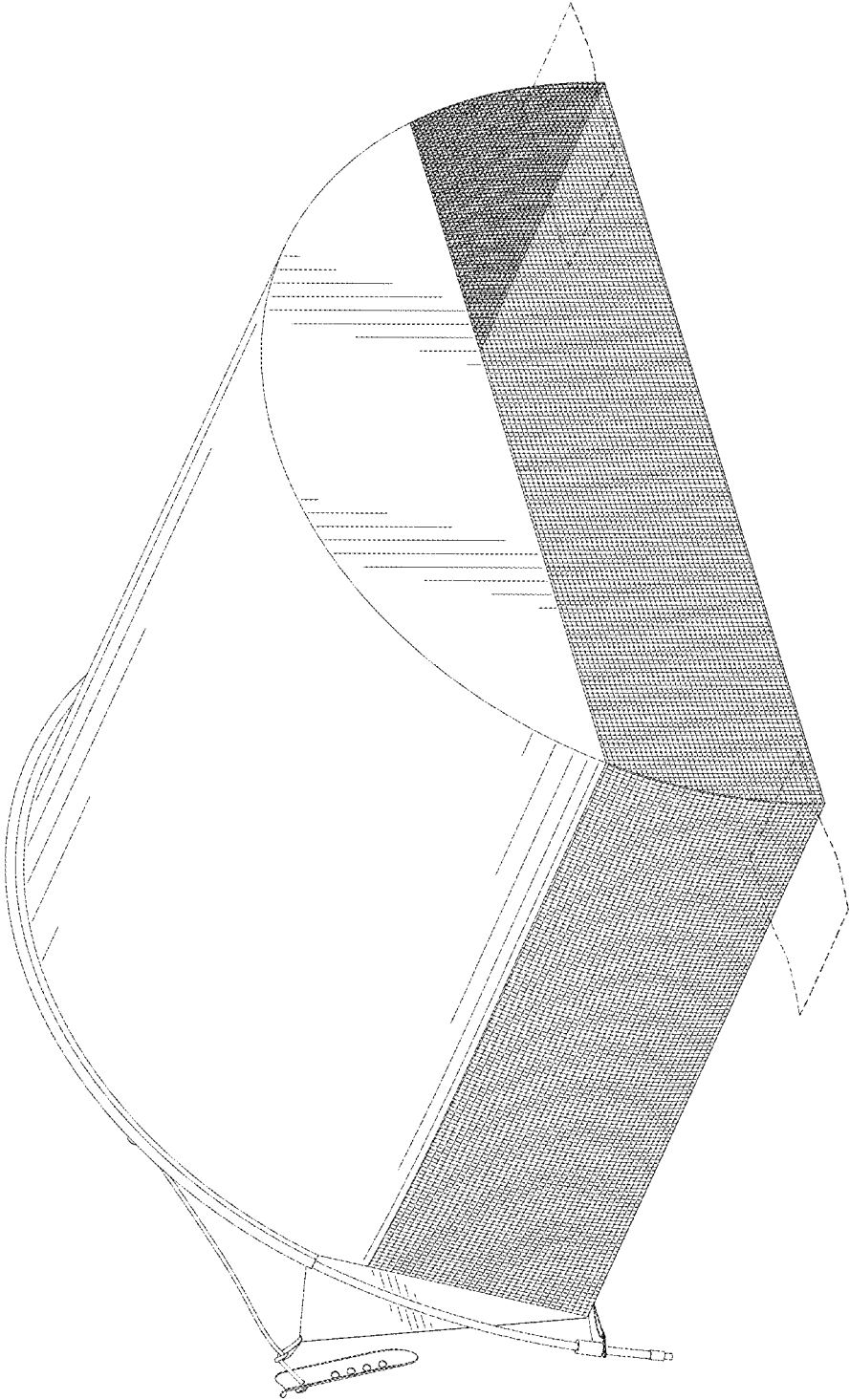


FIG. 2

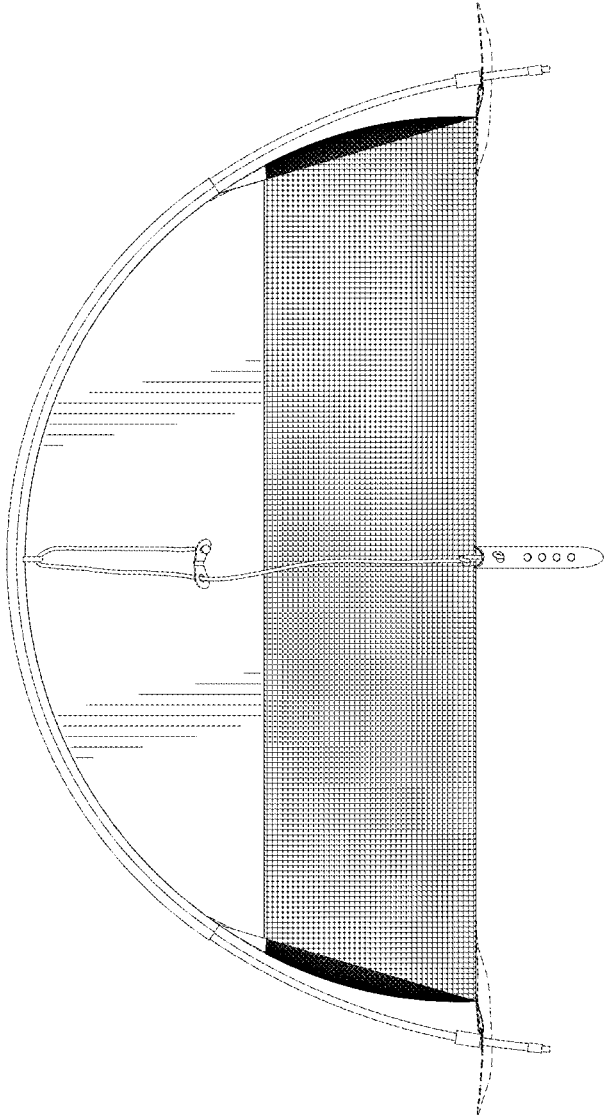


FIG. 3

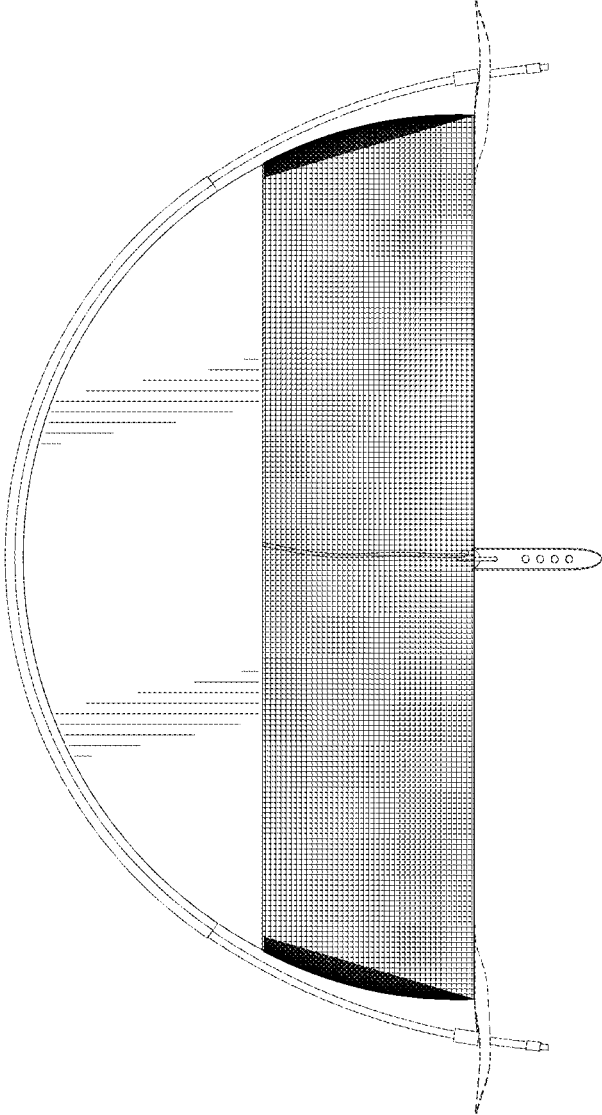


FIG. 4

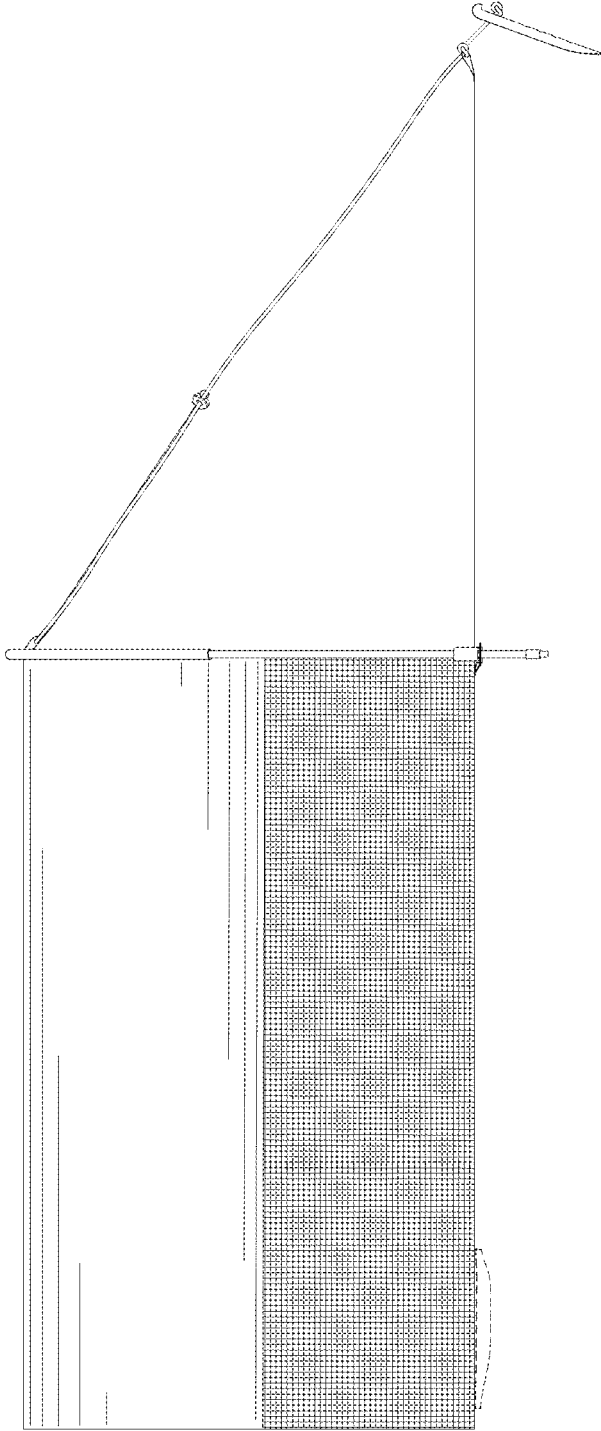


FIG. 5

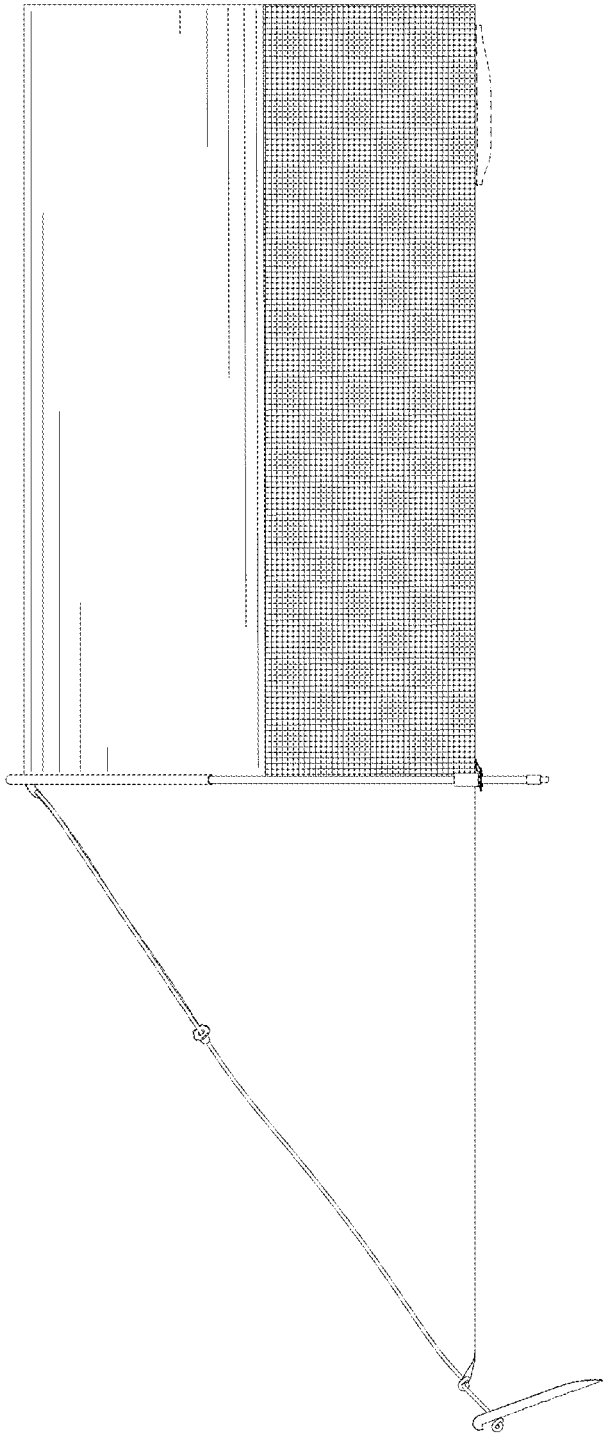


FIG. 6

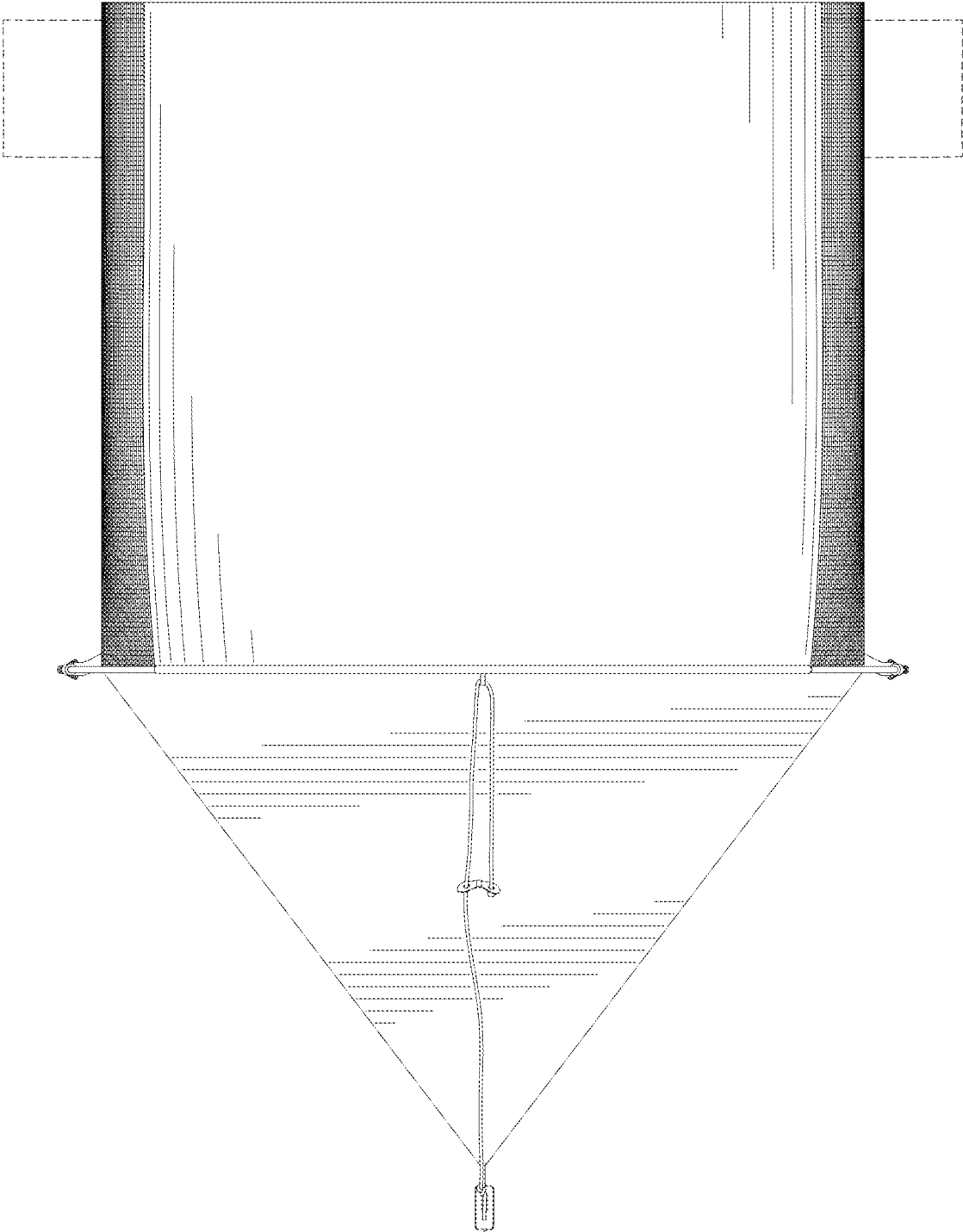


FIG. 7

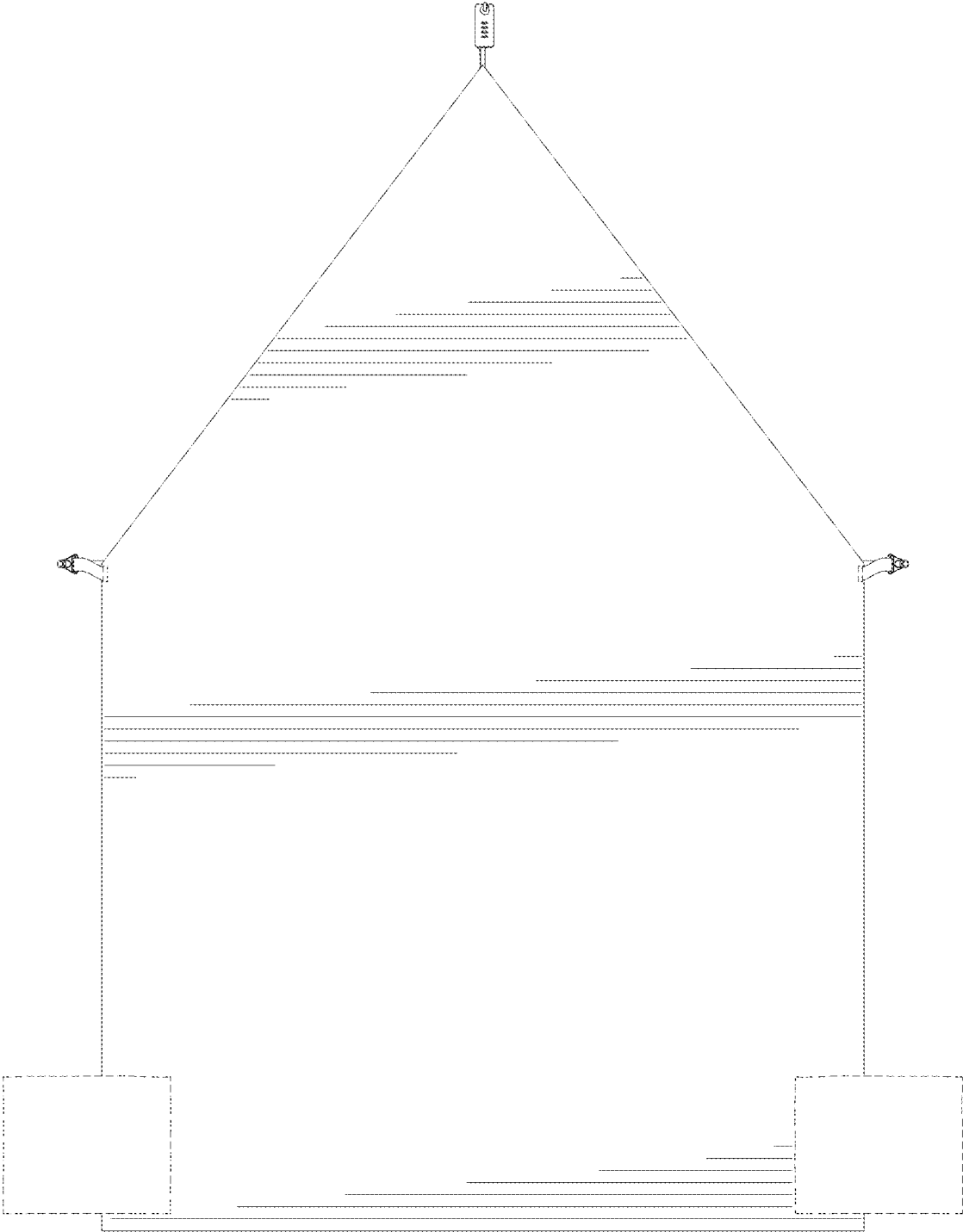


FIG. 8

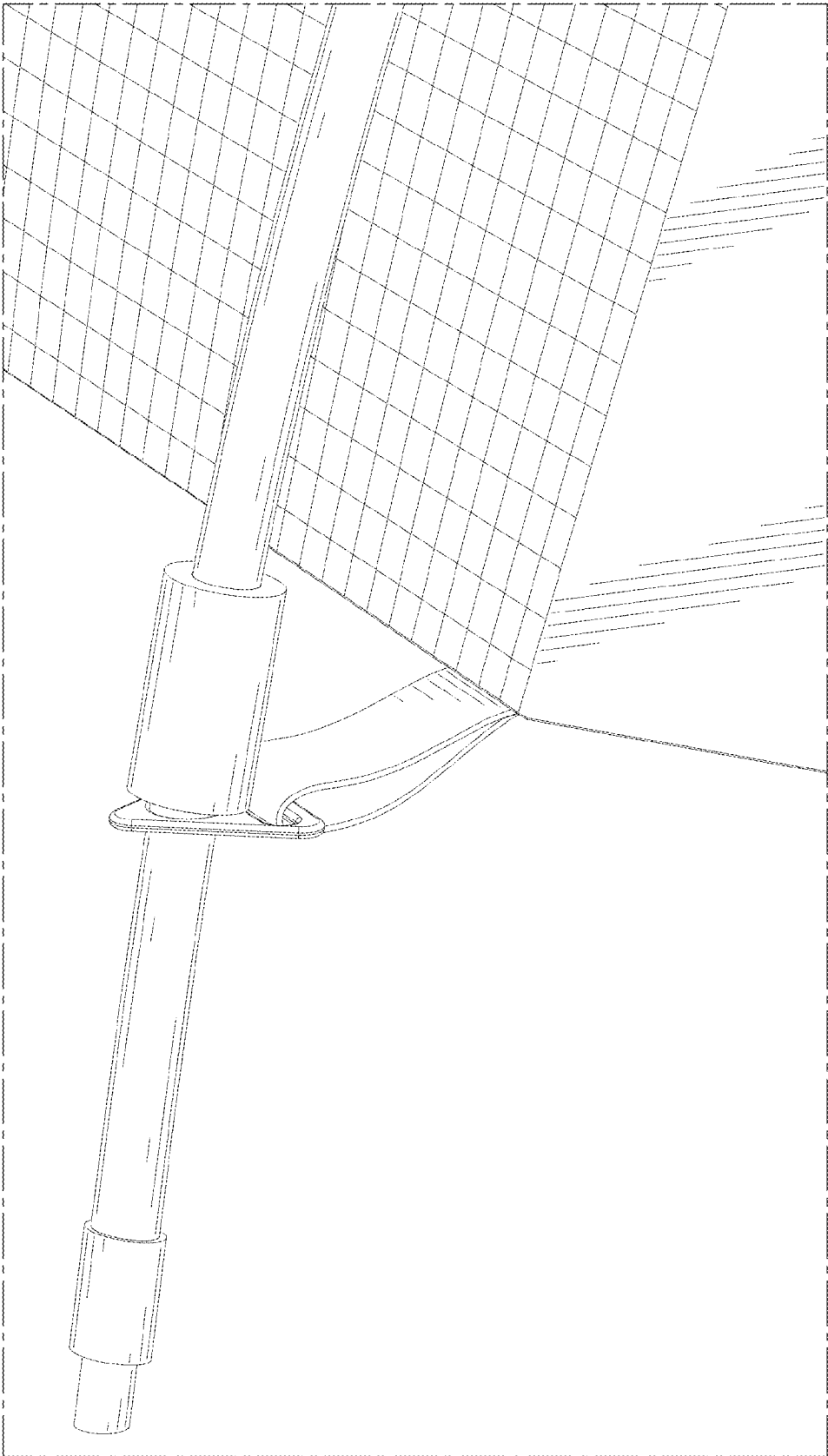


FIG. 9

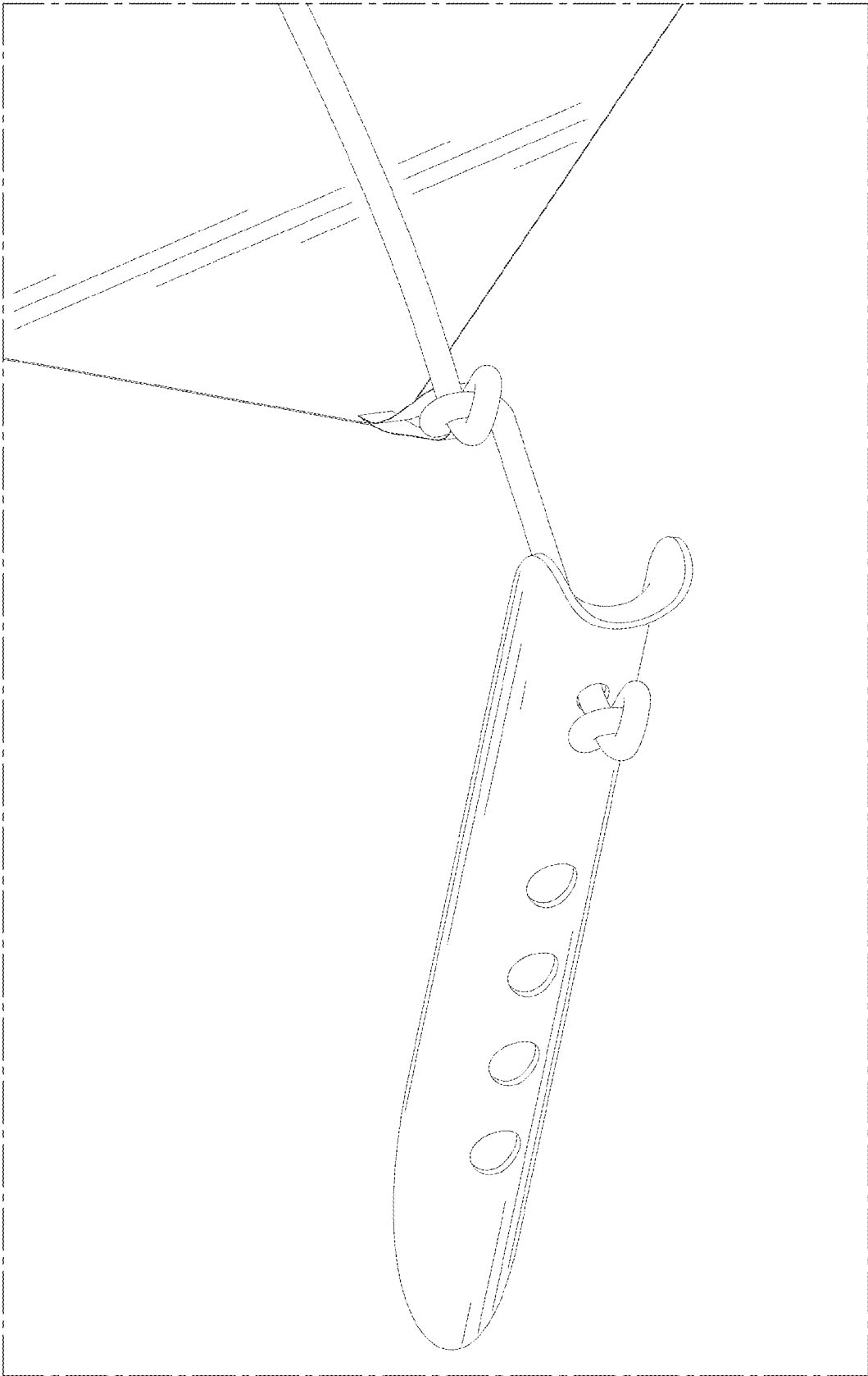


FIG. 10