



(12) **United States Design Patent**
Leighton

(10) **Patent No.:** **US D993,363 S**
(45) **Date of Patent:** **** Jul. 25, 2023**

- (54) **GAS VALVE FLANGE KIT**
- (71) Applicant: **Joe Leighton & Associates, Inc.**,
Corona, CA (US)
- (72) Inventor: **Lisa Leighton**, Corona, CA (US)
- (73) Assignee: **Joe Leighton & Associates, Inc.**,
Corona, CA (US)

5,152,503	A	10/1992	Conway	
5,829,469	A	11/1998	Sileno, Jr. et al.	
6,176,160	B1	1/2001	Ruhlander	
7,055,412	B2	6/2006	Leighton	
D530,796	S *	10/2006	Zielke	D23/262
7,296,589	B2	11/2007	Durkee	
D737,406	S	8/2015	Waggoner	
D748,759	S	2/2016	Lo Cicero	
D748,760	S *	2/2016	Lohmann	D23/259
D908,196	S *	1/2021	Tropper	D23/262
D935,567	S *	11/2021	Leighton	D23/249

- (**) Term: **15 Years**
- (21) Appl. No.: **29/798,970**
- (22) Filed: **Jul. 12, 2021**

Related U.S. Application Data

- (63) Continuation-in-part of application No. 29/727,331,
filed on Mar. 10, 2020, now Pat. No. Des. 935,567.
- (51) **LOC (14) Cl.** **23-01**
- (52) **U.S. Cl.**
USPC **D23/249**
- (58) **Field of Classification Search**
USPC D23/233, 248, 303, 259, 262
CPC F16K 27/067; F16K 5/0631
See application file for complete search history.

References Cited

U.S. PATENT DOCUMENTS

1,677,634	A	7/1928	Horton et al.
1,753,853	A	4/1930	Doty et al.
3,582,116	A	6/1971	Young
4,306,468	A	12/1981	Bolgert
4,445,529	A	5/1984	Lagarelli
4,951,702	A	8/1990	Brotcke
4,961,443	A	10/1990	Buccicone et al.

OTHER PUBLICATIONS

3/4" Square Flange Angle Valve Kit—300,000 BTU—Satin chrome,
shown in www.blueflamestore.com, SKU:BVL3L.06SQ (Year: 2023).*

* cited by examiner

Primary Examiner — Gino Colan
(74) *Attorney, Agent, or Firm* — Stetina Brunda Garred
and Brucker

(57) **CLAIM**

The ornamental design for a gas valve flange kit, as shown
and described.

DESCRIPTION

FIG. 1 is a front perspective view of the gas valve flange kit
of the present invention showing my new design;
FIG. 2 is a rear perspective view thereof;
FIG. 3 is a top plan view thereof;
FIG. 4 is a front elevational view thereof;
FIG. 5 is a side elevational view thereof; and,
FIG. 6 is a rear elevational view thereof.

1 Claim, 3 Drawing Sheets

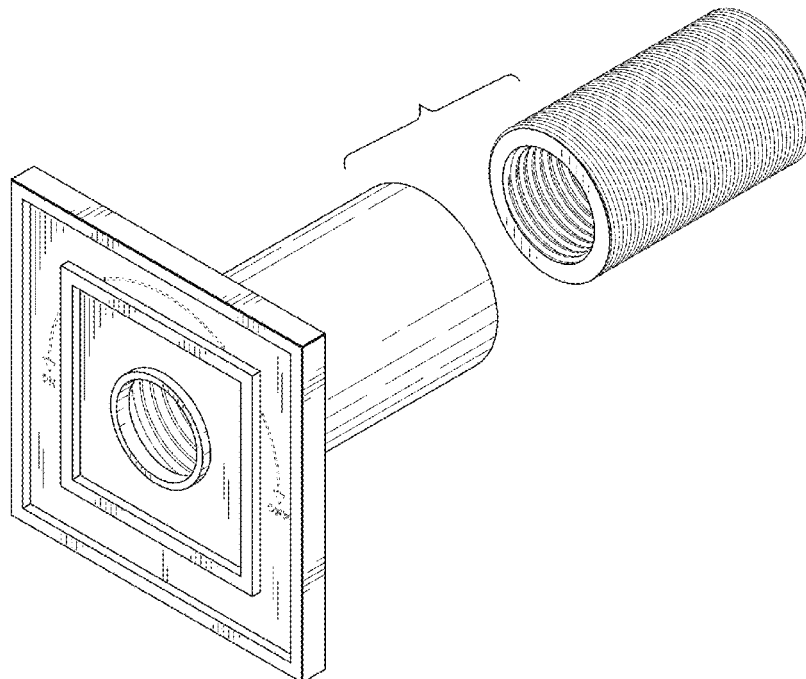


FIG. 1

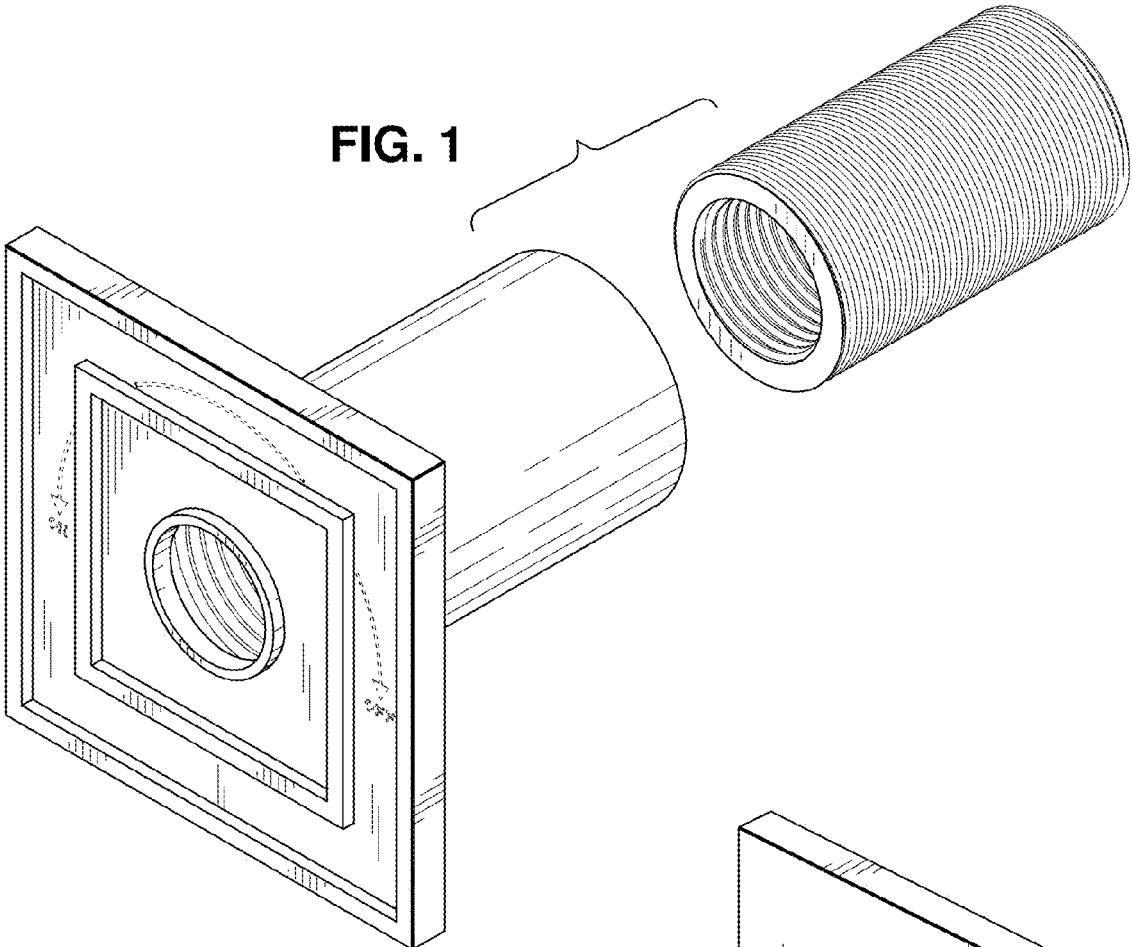
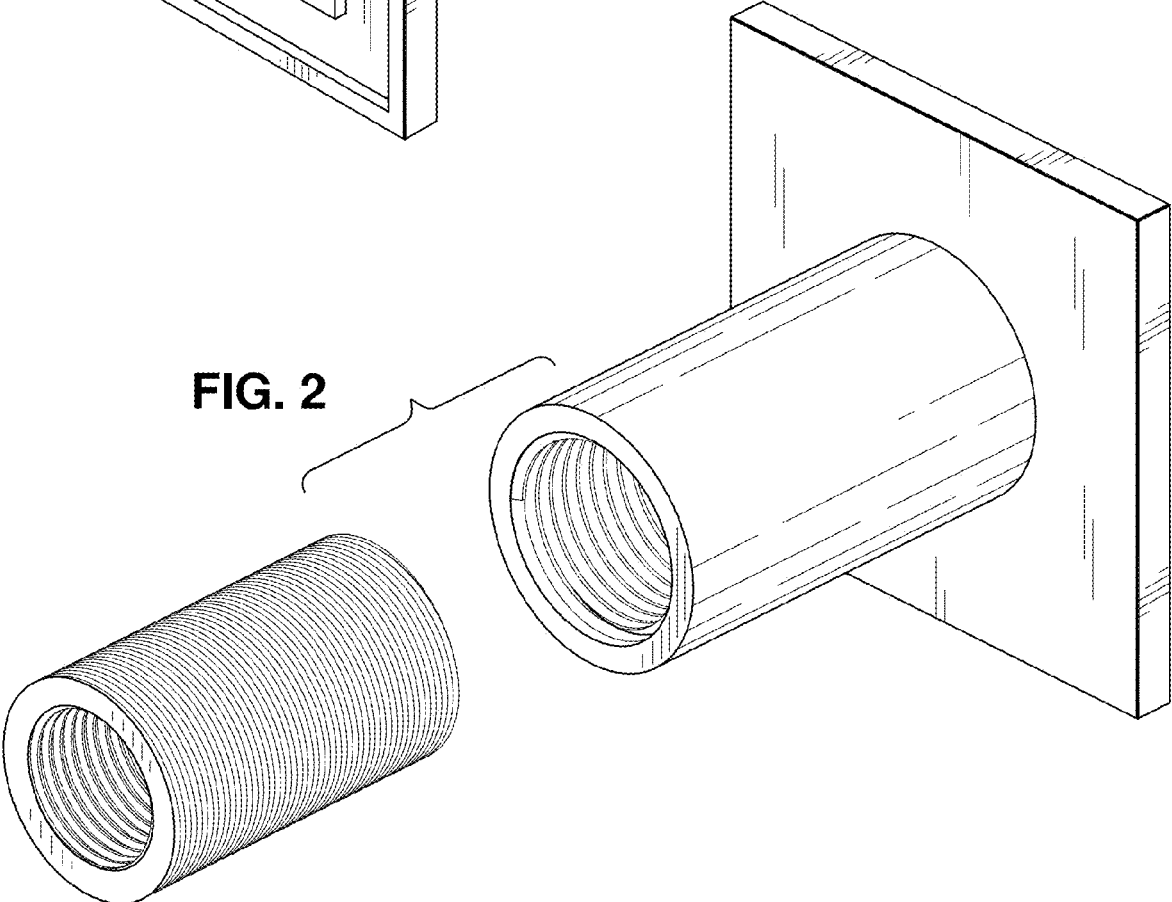


FIG. 2



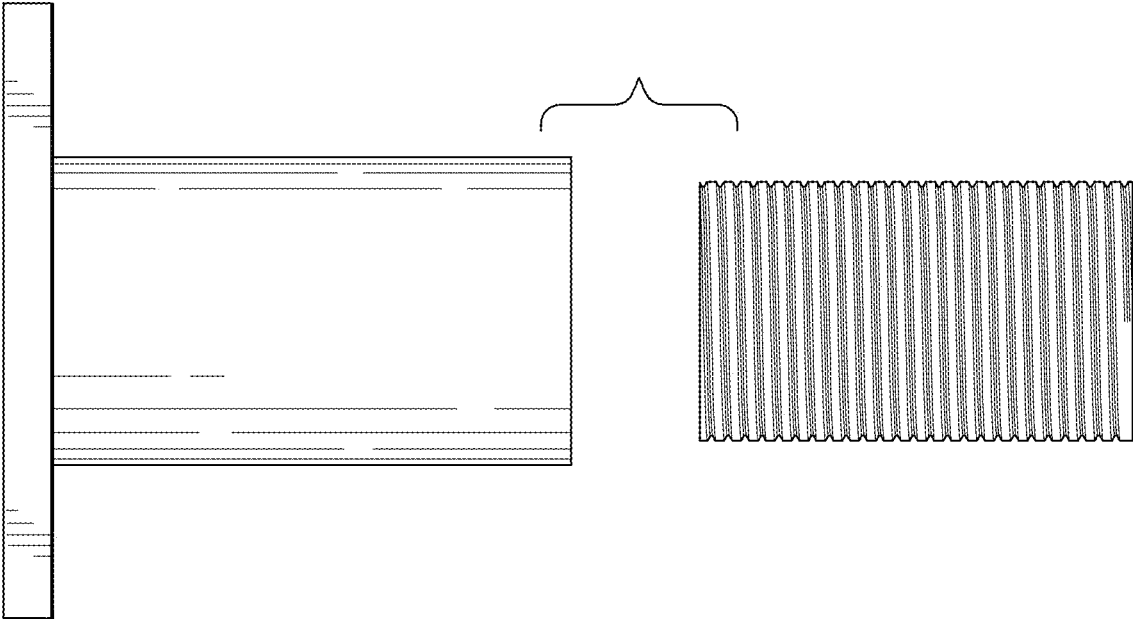


FIG. 3

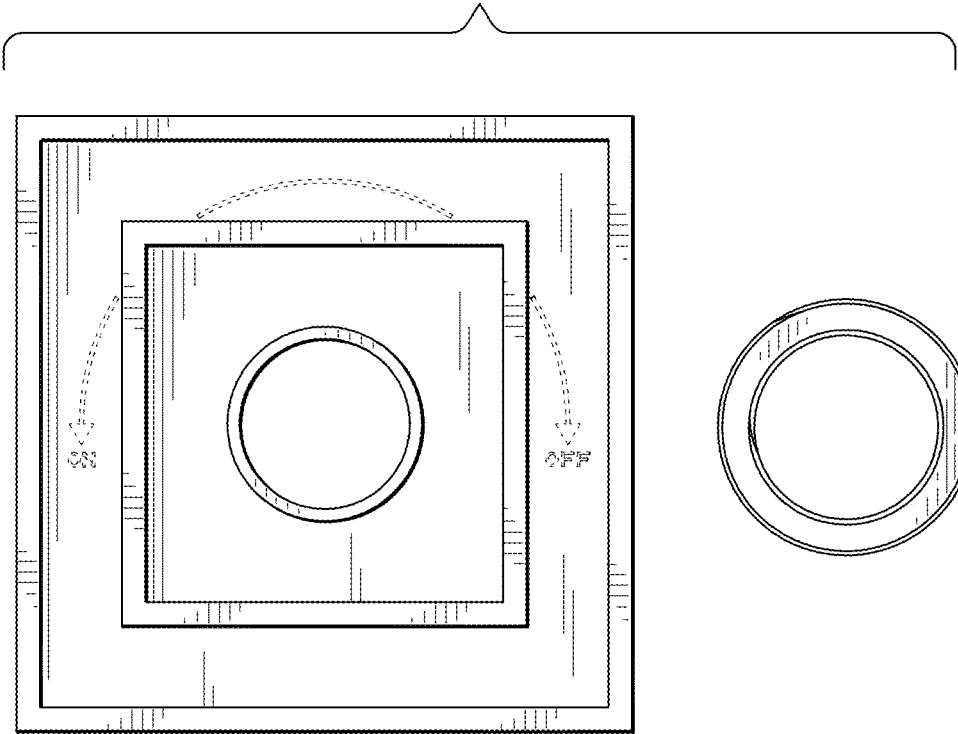


FIG. 4

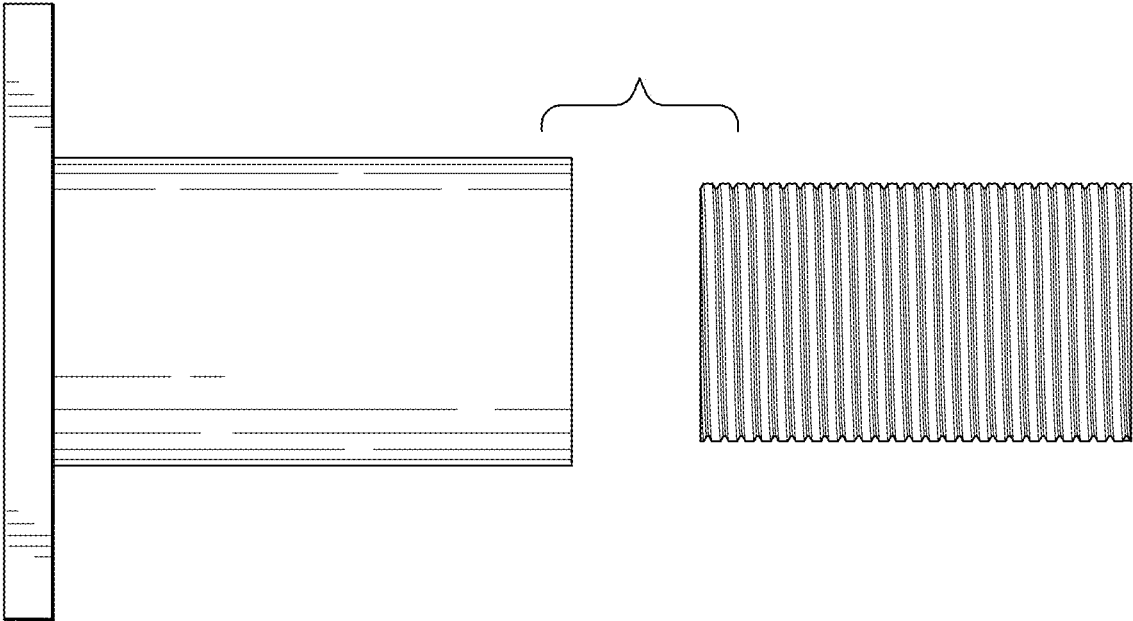


FIG. 5

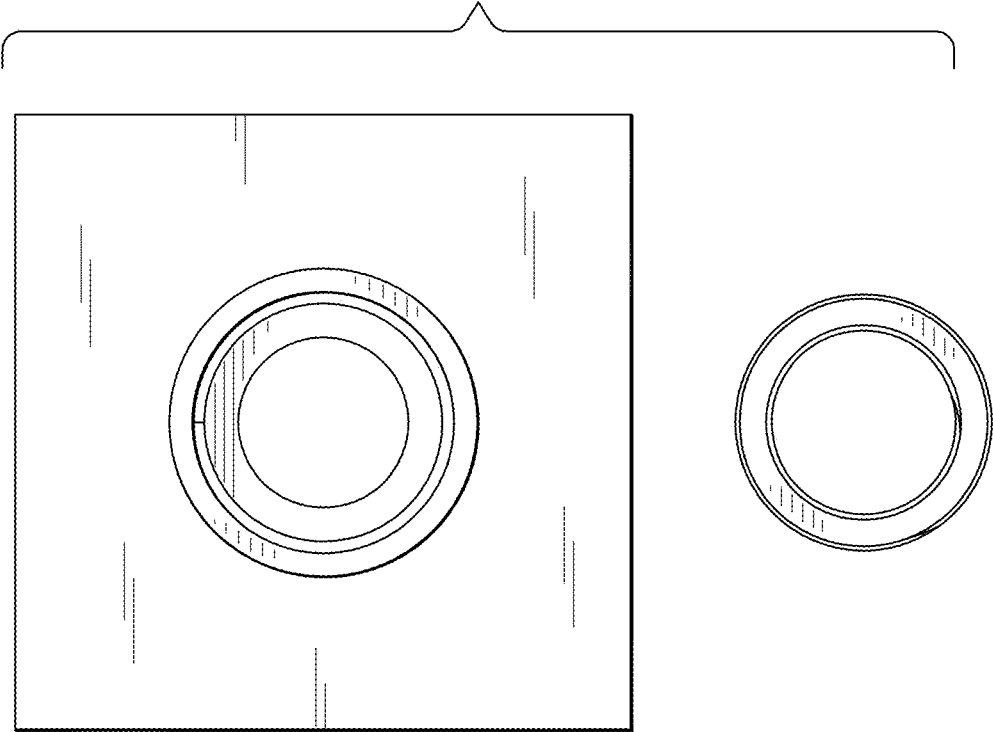


FIG. 6