

(19) World Intellectual Property Organization
International Bureau



(43) International Publication Date
26 April 2007 (26.04.2007)

PCT

(10) International Publication Number
WO 2007/046942 A3

(51) International Patent Classification:
A01C 7/00 (2006.01)

Wakonda Drive, Bettendorf, IA 52722 (US). **BULTINCK, William, G.** [US/US]; 14405 Osage Street North West, Andover, MN 55304 (US).

(21) International Application Number:
PCT/US2006/032671

(74) Agent: **COORDES, Duane, A.**; Deere & Company, Patent Department, One John Deere Place, Moline, IL 61265 (US).

(22) International Filing Date: 21 August 2006 (21.08.2006)

(25) Filing Language: English

(81) Designated States (unless otherwise indicated, for every kind of national protection available): AE, AG, AL, AM, AT, AU, AZ, BA, BB, BG, BR, BW, BY, BZ, CA, CH, CN, CO, CR, CU, CZ, DE, DK, DM, DZ, EC, EE, EG, ES, FI, GB, GD, GE, GH, GM, HN, HR, HU, ID, IL, IN, IS, JP, KE, KG, KM, KN, KP, KR, KZ, LA, LC, LK, LR, LS, LT, LU, LV, LY, MA, MD, MG, MK, MN, MW, MX, MY, MZ, NA, NG, NI, NO, NZ, OM, PG, PH, PL, PT, RO, RS, RU, SC, SD, SE, SG, SK, SL, SM, SV, SY, TJ, TM, TN, TR, TT, TZ, UA, UG, US, UZ, VC, VN, ZA, ZM, ZW.

(26) Publication Language: English

(30) Priority Data:
11/250,655 13 October 2005 (13.10.2005) US

(71) Applicant (for all designated States except US): **DEERE & COMPANY** [US/US]; One John Deere Place, Moline, IL 61265 (US).

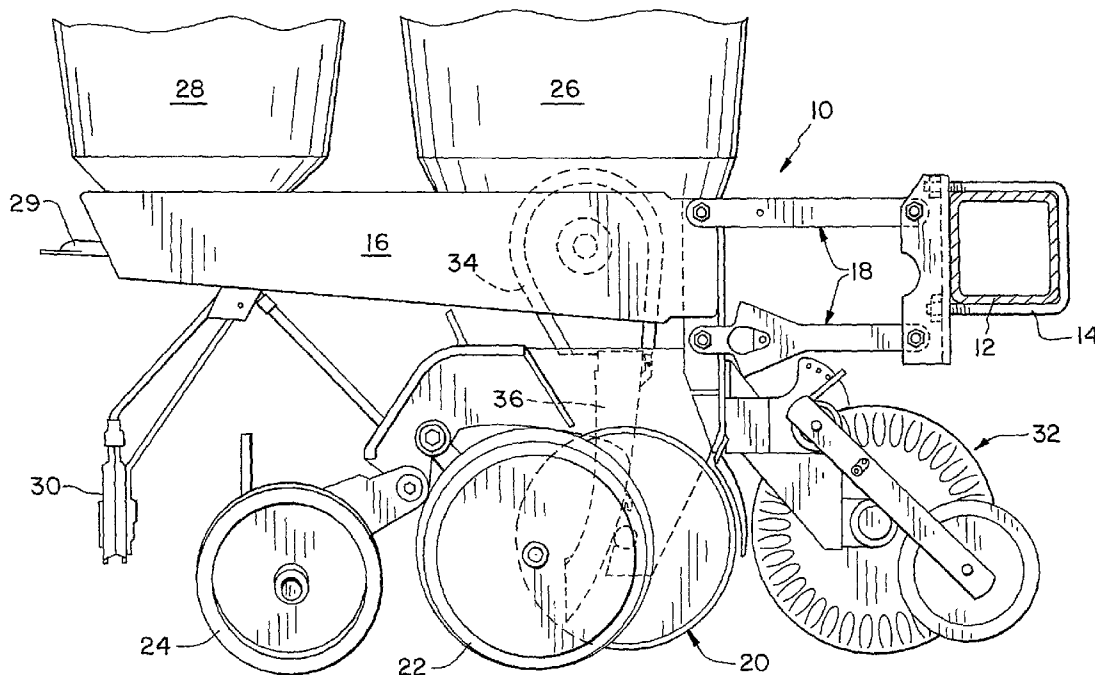
(84) Designated States (unless otherwise indicated, for every kind of regional protection available): ARIPO (BW, GH, GM, KE, LS, MW, MZ, NA, SD, SL, SZ, TZ, UG, ZM, ZW), Eurasian (AM, AZ, BY, KG, KZ, MD, RU, TJ, TM), European (AT, BE, BG, CH, CY, CZ, DE, DK, EE, ES, FI, FR, GB, GR, HU, IE, IS, IT, LT, LU, LV, MC, NL, PL, PT, RO, SE, SI, SK, TR), OAPI (BF, BJ, CF, CG, CI, CM, GA, GN, GQ, GW, ML, MR, NE, SN, TD, TG).

(72) Inventors; and

(75) Inventors/Applicants (for US only): **MARIMAN, Nathan, A.** [US/US]; 1028 Kadel Drive, Geneseo, IL 61254 (US). **SOMMER, Mark, S.** [US/US]; 3660 8th Street Court, East Moline, IL 61244 (US). **PETERSON, James, R.** [US/US]; 507 S. Depot Street, Annawan, IL 61234 (US). **LANDPHAIR, Donald, K.** [US/US]; 3965

[Continued on next page]

(54) Title: SEED TUBE FOR AN AGRICULTURAL SEEDING MACHINE



(57) Abstract: A seed tube (36) for an agricultural seeding machine (10) includes a side wall (42) having at least a portion thereof (52) formed from a transparent material. A sensor (54, 56) includes a transmitter (54) which is positioned adjacent an outside of the side wall (42), and operates through the transparent material (52).

WO 2007/046942 A3



Published:

- with international search report
- before the expiration of the time limit for amending the claims and to be republished in the event of receipt of amendments

For two-letter codes and other abbreviations, refer to the "Guidance Notes on Codes and Abbreviations" appearing at the beginning of each regular issue of the PCT Gazette.

(88) Date of publication of the international search report:

29 November 2007

INTERNATIONAL SEARCH REPORT

International application No.

PCT/US 06/32671

A. CLASSIFICATION OF SUBJECT MATTER IPC(8): A01C 7/00 (2007.01) USPC: 111/174 According to International Patent Classification (IPC) or to both national classification and IPC		
B. FIELDS SEARCHED Minimum documentation searched (classification system followed by classification symbols) USPC: 111/174 Documentation searched other than minimum documentation to the extent that such documents are included in the fields searched USPC: 111/174 Electronic data base consulted during the international search (name of data base and, where practicable, search terms used) PGPB, USPT, USOC, EPAB, JPAB, Google Transparent, window, light source, sensor, transmitter, opaque, ambient, transparent, light, agricultural, agriculture, seeding, seed tube		
C. DOCUMENTS CONSIDERED TO BE RELEVANT		
Category*	Citation of document, with indication, where appropriate, of the relevant passages	Relevant to claim No.
Y	US 6,093,926 A (Mertins et al) 25 July 2000 (25.07.2000), tube (abstract, column 1, lines 6-11, column 2, lines 20-57, column 3, lines 40-67, fig 2, 3, 5, 6, 13, 14, column 6, lines 19-67	1-25
Y	US 2005/0139756 A1 (Brickey et al) 30 June 2005 (30.06.2005), para [0003]- [0005], [0008], [0010]-[0012], [0022], [0025], [0026], [0040], [0042], [0050],	1-25
Y	US 2001/0022342 A1 (Wirthlin) 20 September 2001 (20.09.2001), fig. 24-27, para [0055], [0064] [0103], [0127].	12-25
A	US 6,158,363 A (Memory et al) 12 December 2000 (12.12.2000), abstract, claim 9.	19-25
<input type="checkbox"/> Further documents are listed in the continuation of Box C. <input type="checkbox"/>		
* Special categories of cited documents: "A" document defining the general state of the art which is not considered to be of particular relevance "E" earlier application or patent but published on or after the international filing date "L" document which may throw doubts on priority claim(s) or which is cited to establish the publication date of another citation or other special reason (as specified) "O" document referring to an oral disclosure, use, exhibition or other means "P" document published prior to the international filing date but later than the priority date claimed "T" later document published after the international filing date or priority date and not in conflict with the application but cited to understand the principle or theory underlying the invention "X" document of particular relevance; the claimed invention cannot be considered novel or cannot be considered to involve an inventive step when the document is taken alone "Y" document of particular relevance; the claimed invention cannot be considered to involve an inventive step when the document is combined with one or more other such documents, such combination being obvious to a person skilled in the art "&" document member of the same patent family		
Date of the actual completion of the international search 10 July 2007 (10.07.2007)		Date of mailing of the international search report 26 SEP 2007
Name and mailing address of the ISA/US Mail Stop PCT, Attn: ISA/US, Commissioner for Patents P.O. Box 1450, Alexandria, Virginia 22313-1450 Facsimile No. 571-273-3201		Authorized officer: Lee W. Young PCT Helpdesk: 571-272-4300 PCT OSP: 571-272-7774