

(19) World Intellectual Property Organization  
International Bureau



(43) International Publication Date  
26 March 2009 (26.03.2009)

PCT

(10) International Publication Number  
**WO 2009/038418 A3**

(51) International Patent Classification:  
*H01C 7/10* (2006.01)

Hwaseo-dong, Paldal-gu, Sunwon, Gyeonggi-do 442-150 (KR). **CHOI, Sung-Wook** [KR/KR]; 103-408 Punggrim Apt., Wonmi 2-dong, Wonmi-gu, Bucheon, Gyeonggi-do 420-112 (KR).

(21) International Application Number:  
PCT/KR2008/005607

(74) Agent: **JEON, Jong-II**; Room 703, Science -Technology Bldg., 635-4 Yeoksam-dong, Gangnam-gu, Seoul 135-703 (KR).

(22) International Filing Date:  
22 September 2008 (22.09.2008)

(25) Filing Language: Korean

(81) Designated States (unless otherwise indicated, for every kind of national protection available): AE, AG, AL, AM, AO, AT, AU, AZ, BA, BB, BG, BH, BR, BW, BY, BZ, CA, CH, CN, CO, CR, CU, CZ, DE, DK, DM, DO, DZ, EC, EE, EG, ES, FI, GB, GD, GE, GH, GM, GT, HN, HR, HU, ID, IL, IN, IS, JP, KE, KG, KM, KN, KP, KZ, LA, LC, LK, LR, LS, LT, LU, LY, MA, MD, ME, MG, MK, MN, MW, MX, MY, MZ, NA, NG, NI, NO, NZ, OM, PG, PH, PL, PT, RO, RS, RU, SC, SD, SE, SG, SK, SL, SM, ST, SV, SY, TJ, TN, TR, TT, TZ, UA, UG, US, UZ, VC, VN, ZA, ZM, ZW.

(26) Publication Language: English

(30) Priority Data:  
10-2007-0096522  
21 September 2007 (21.09.2007) KR  
10-2007-0096523  
21 September 2007 (21.09.2007) KR  
10-2007-0104045 16 October 2007 (16.10.2007) KR  
10-2008-0057183 18 June 2008 (18.06.2008) KR

(71) Applicant (for all designated States except US):  
**SAMHYUN CNS CO., LTD** [KR/KR]; Samhyun B/D., 447-1 Dangjung-dong, Gunpo, Gyeonggi-do 435-833 (KR).

(71) Applicant and

(72) Inventor: **KIM, Jung-Soo** [KR/KR]; 1028-1201 Jumong-maeul, 1121 Sanbon-dong, Gunpo, Gyeonggi-do 435-041 (KR).

(72) Inventors; and

(75) Inventors/Applicants (for US only): **JEONG, Tae-Hoon** [KR/KR]; 647-601 Sejongjugong Apt., 1145, Gwangjung-dong, Gunpo, Gyeonggi-do 435-705 (KR). **JI, Kyo-Sung** [KR/KR]; A-401 Dongseoshinevill, 42-7,

(84) Designated States (unless otherwise indicated, for every kind of regional protection available): ARIPO (BW, GH, GM, KE, LS, MW, MZ, NA, SD, SL, SZ, TZ, UG, ZM, ZW), Eurasian (AM, AZ, BY, KG, KZ, MD, RU, TJ, TM), European (AT, BE, BG, CH, CY, CZ, DE, DK, EE, ES, FI, FR, GB, GR, HR, HU, IE, IS, IT, LT, LU, LV, MC, MT, NL, NO, PL, PT, RO, SE, SI, SK, TR), OAPI (BF, BJ, CF, CG, CI, CM, GA, GN, GQ, GW, ML, MR, NE, SN, TD, TG).

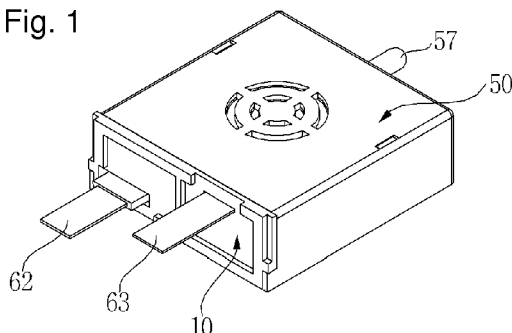
Published:

- with international search report
- before the expiration of the time limit for amending the claims and to be republished in the event of receipt of amendments

(88) Date of publication of the international search report:  
7 May 2009

(54) Title: VARISTOR AND VARISTOR APPARATUS

Fig. 1



(57) Abstract: The present invention provides a varistor comprising a main body having first and second external terminals formed on the outer surface thereof, a first withdrawn terminal plate joined to the first external terminal, and a second withdrawn terminal plate joined to the second external terminal, wherein the melting point of a second bonding material for allowing the second withdrawn terminal plate and the second external terminal to be joined to each other is lower than that of a first bonding material for allowing the first withdrawn terminal plate and the first external terminal to be joined to each other.

WO 2009/038418 A3

## INTERNATIONAL SEARCH REPORT

International application No.  
**PCT/KR2008/005607****A. CLASSIFICATION OF SUBJECT MATTER****H01C 7/10(2006.01)i**

According to International Patent Classification (IPC) or to both national classification and IPC

**B. FIELDS SEARCHED**

Minimum documentation searched (classification system followed by classification symbols)

IPC : H01C 7/10

Documentation searched other than minimum documentation to the extent that such documents are included in the fields searched

Korean Utility models and applications for Utility Models since 1975  
Japanese Utility Models and application for Utility Models since 1975

Electronic data base consulted during the international search (name of data base and, where practicable, search terms used)

eKIPASS(KIPO internal) "varistor, case, housing, electrode, contact, terminal, melting point, temperature, resilient"

**C. DOCUMENTS CONSIDERED TO BE RELEVANT**

Category*	Citation of document, with indication, where appropriate, of the relevant passages	Relevant to claim No.
A	JP 06-096835 A ( COOPER POWER SYSTEMS ) 08 April 1994 See the Fig. 1	1-26
A	US 2001-0015687 A1 ( NEIL MCLOUGHLIN ) 23 August 2001 See the Fig. 1,2	1-26
A	KR 10-2007-0053016 A ( AMOTECH CO., LTD. ) 23 May 2007 See the abstract and claim 1 and the Fig. 3a, 3b	1-26
A	JP 2001-297904 A ( MATSUSHITA ELECTRIC IND CO LTD ) 26 October 2001 See the abstract and the Fig. 2	1-26
A	KR 10-1997-0707559 A ( RAYCHEM CORPORATION ) 01 December 1997 See the abstract and the Fig. 2a	1-26

 Further documents are listed in the continuation of Box C. See patent family annex.

\* Special categories of cited documents:

"A" document defining the general state of the art which is not considered to be of particular relevance

"E" earlier application or patent but published on or after the international filing date

"L" document which may throw doubts on priority claim(s) or which is cited to establish the publication date of citation or other special reason (as specified)

"O" document referring to an oral disclosure, use, exhibition or other means

"P" document published prior to the international filing date but later than the priority date claimed

"T" later document published after the international filing date or priority date and not in conflict with the application but cited to understand the principle or theory underlying the invention

"X" document of particular relevance; the claimed invention cannot be considered novel or cannot be considered to involve an inventive step when the document is taken alone

"Y" document of particular relevance; the claimed invention cannot be considered to involve an inventive step when the document is combined with one or more other such documents, such combination being obvious to a person skilled in the art

"&amp;" document member of the same patent family

Date of the actual completion of the international search

25 MARCH 2009 (25.03.2009)

Date of mailing of the international search report

**25 MARCH 2009 (25.03.2009)**

Name and mailing address of the ISA/KR

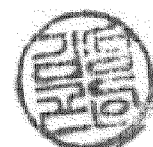
Korean Intellectual Property Office  
Government Complex-Daejeon, 139 Seonsa-ro, Seo-  
gu, Daejeon 302-701, Republic of Korea

Facsimile No. 82-42-472-7140

Authorized officer

KIM, Sung Gon

Telephone No. 82-42-481-5874



**INTERNATIONAL SEARCH REPORT**

Information on patent family members

International application No.

**PCT/KR2008/005607**

Patent document cited in search report	Publication date	Patent family member(s)	Publication date
JP 06-096835 A	08.04.1994	CA 2098365 A1 MX 9303954 A1 US 5608596 A	31.12.1993 29.04.1994 04.03.1997
US 2001-0015687 A1	23.08.2001	US 2001-0015685 A1 US 2001-0015686 A1 US 6304166 B1 US 6307462 B2 US 6388555 B2 US 6507268 B2	23.08.2001 23.08.2001 16.10.2001 23.10.2001 14.05.2002 14.01.2003
KR 10-2007-0053016 A	23.05.2007	None	
JP 2001-297904 A	26.10.2001	None	
KR 10-1997-0707559 A	01.12.1997	AU 4145896 A AU 687284 B2 CA 2204991 A1 CN 1163012 EP 0791223 A1 JP 10-509019 A US 5583734 A WO 96-15540 A1	06.06.1996 19.02.1998 23.05.1996 22.10.1997 27.08.1997 02.09.1998 10.12.1996 23.05.1996