



US00D889219S

(12) **United States Design Patent**  
**Mehra et al.**

(10) **Patent No.:** **US D889,219 S**  
(45) **Date of Patent:** **\*\* Jul. 7, 2020**

(54) **AIR OUTLET FOR A TRIMMER**

FOREIGN PATENT DOCUMENTS

(71) Applicant: **HUSQVARNA AB**, Huskvarna (SE)

EP 001870882-0016 A1 5/2011  
EP 001870882-0010 A1 6/2011

(72) Inventors: **Rajinder Mehra**, Johanneshov (SE);  
**Nilas Pleje**, Hågersten (SE)

(Continued)

(73) Assignee: **HUSQVARNA AB**, Huskvarna (SE)

OTHER PUBLICATIONS

(\*\*) Term: **15 Years**

Husqvarna, "Husqvarna 522HS75S", Jul. 30, 2019. <https://www.husqvarna.com/us/products/hedge-trimmers/522hs75s/967659302/>.  
Shown on p. 1. (Year: 2019).

(21) Appl. No.: **29/635,653**

(Continued)

(22) Filed: **Feb. 1, 2018**

(30) **Foreign Application Priority Data**

*Primary Examiner* — Sandra S Snapp

*Assistant Examiner* — Ieisha N Price

(74) *Attorney, Agent, or Firm* — Burr & Forman, LLP

Aug. 4, 2017 (EM) ..... 004134021-0002

(51) **LOC (12) Cl.** ..... **08-01**

(52) **U.S. Cl.**

USPC ..... **D8/8**

(58) **Field of Classification Search**

USPC ..... D8/7, 8, 9; D15/14, 17

CPC .. A01D 34/01; A01D 34/416; A01D 34/4161;

A01D 34/84; A01D 34/90; A01G 3/067;

A01G 3/06; A01G 3/062; H02K 9/06;

H02K 3/12; H01M 2/1022; B25F 5/008;

B25F 5/02

See application file for complete search history.

(57) **CLAIM**

The ornamental design for the air outlet for a trimmer, as shown and described.

**DESCRIPTION**

FIG. 1 is a back view of a trimmer having an air outlet in accordance with the embodiment of the present invention; FIG. 2 is a bottom view of the trimmer of FIG. 1;

FIG. 3 is a perspective view of the trimmer of FIG. 1;

FIG. 4 is a front view of the trimmer of FIG. 1;

FIG. 5 is a left side view of the trimmer of FIG. 1;

FIG. 6 is a right side view of the trimmer of FIG. 1;

FIG. 7 is a top view of the trimmer of FIG. 1;

FIG. 8 is an enlarged perspective view of the air outlet shown in FIG. 3; and,

FIG. 9 is an enlarged perspective view of the air outlet shown in FIG. 7.

The broken lines of the air outlet for a trimmer in FIGS. 1-9 are illustrative of the visible environmental structure of the air outlet and the trimmer and form no part of the claimed design.

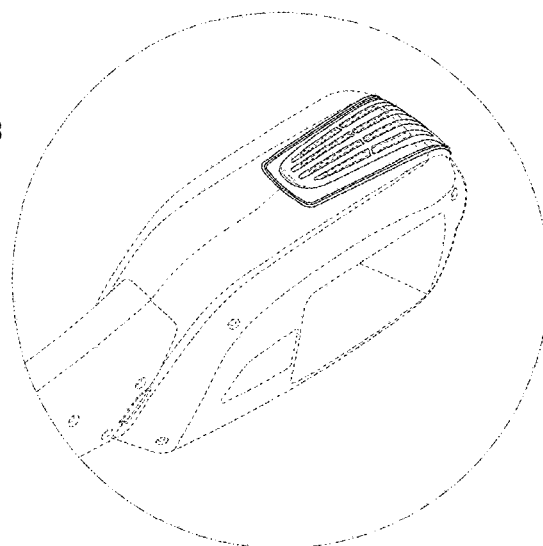
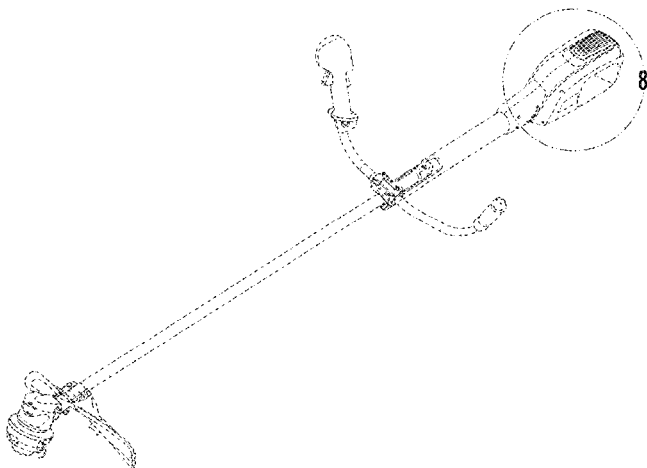
(56) **References Cited**

U.S. PATENT DOCUMENTS

1,622,998 A	3/1927	Foster	
D182,385 S	3/1958	Schumacher	
D257,406 S	10/1980	Ouellette	
5,075,972 A	12/1991	Huang	
D335,674 S *	5/1993	Hoshino	D15/18
5,501,068 A	3/1996	Martz	
D382,779 S	8/1997	Meisner et al.	
D382,780 S	8/1997	Meisner et al.	
D397,590 S	9/1998	Meloni et al.	
D459,172 S	6/2002	Bissell	

(Continued)

**1 Claim, 9 Drawing Sheets**



(56)

References Cited

U.S. PATENT DOCUMENTS

D460,329 S 7/2002 Waldron  
 6,415,591 B1 7/2002 Tylka, Sr.  
 D462,882 S 9/2002 Evans  
 D463,228 S 9/2002 Cooper  
 D463,229 S 9/2002 Gabriel  
 6,487,840 B1 12/2008 Turner et al.  
 D468,600 S 1/2003 Evans  
 D505,602 S 5/2005 Houghton  
 D522,818 S 6/2006 Andriolo  
 D547,623 S 7/2007 Mooney et al.  
 D580,238 S 11/2008 Murray  
 D580,239 S 11/2008 Murray  
 D580,240 S 11/2008 Murray  
 D582,225 S 12/2008 Bochmann et al.  
 D582,736 S 12/2008 Ghirardi  
 D623,487 S 9/2010 Tinius  
 D623,909 S 9/2010 Tate et al.  
 D624,371 S 9/2010 Tinius  
 D649,845 S 12/2011 Yamamoto et al.  
 D650,643 S 12/2011 Aoki et al.  
 D652,431 S \* 1/2012 Naslund ..... D15/14  
 D657,211 S 4/2012 Kosugi et al.  
 D661,557 S 6/2012 Sweeney  
 D668,515 S \* 10/2012 Landberg ..... D8/8  
 D668,516 S \* 10/2012 Landberg ..... D8/8  
 D668,517 S \* 10/2012 Landberg ..... D8/8  
 D668,518 S \* 10/2012 Landberg ..... D8/8  
 D672,624 S \* 12/2012 Naas ..... D8/8  
 D675,072 S 1/2013 Stratford  
 D709,743 S 7/2014 Tinius  
 D711,203 S \* 8/2014 Tinius ..... D8/8  
 D711,700 S \* 8/2014 Mehra ..... D8/65  
 D712,216 S 9/2014 Tajik et al.  
 D720,193 S 12/2014 Luedtke  
 D721,551 S 1/2015 Carl et al.  
 D761,067 S 7/2016 Mueller et al.  
 9,460,869 B2 10/2016 Valfridsson et al.  
 D776,995 S \* 1/2017 Schoch ..... D8/8  
 D776,996 S \* 1/2017 Schoch ..... D8/8  
 D786,030 S 5/2017 Busschaert et al.  
 D787,285 S \* 5/2017 Schoch ..... D8/8  
 D813,621 S \* 3/2018 Timson ..... D8/8  
 D830,418 S \* 10/2018 Naslund ..... D15/14  
 10,105,832 B2 10/2018 Martinsson et al.  
 10,117,380 B1 11/2018 Kaukler et al.  
 D854,387 S 7/2019 Dretzka et al.

2005/0000095 A1 1/2005 Warashina et al.  
 2006/0156552 A1 7/2006 Schilling  
 2008/0189958 A1 8/2008 Hurley  
 2009/0126964 A1\* 5/2009 Schroeder ..... B25F 5/02  
 173/217  
 2009/0271992 A1 11/2009 Holter  
 2010/0319203 A1 12/2010 Ito et al.  
 2011/0131817 A1 6/2011 Ito  
 2012/0102755 A1 5/2012 Racov et al.  
 2013/0017706 A1 1/2013 Million  
 2013/0075122 A1 3/2013 Yamada et al.  
 2014/0013542 A1 1/2014 Wang  
 2014/0182143 A1 7/2014 Morita  
 2014/0208599 A1 7/2014 Nagahama  
 2014/0246214 A1\* 9/2014 Racov ..... A01D 34/902  
 173/217  
 2014/0259692 A1 9/2014 Racov et al.  
 2016/0088792 A1 3/2016 Yamaoka et al.  
 2016/0183452 A1 6/2016 Kullberg  
 2016/0330903 A1 11/2016 Miller et al.  
 2016/0336557 A1\* 11/2016 Miller ..... A01D 34/416  
 2017/0231153 A1 8/2017 Hoffman  
 2018/0092297 A1 4/2018 Sunazuka et al.  
 2018/0092298 A1 4/2018 Takahashi et al.  
 2018/0277804 A1\* 9/2018 Lee ..... H01M 2/20  
 2018/0368314 A1 12/2018 Parsons

FOREIGN PATENT DOCUMENTS

JP 1386580 S 4/2010  
 JP 1442499 S 4/2012  
 JP 1442500 S 4/2012  
 JP 1442816 S 4/2012  
 JP 1482456 S 10/2013  
 JP 1621116 S 12/2018

OTHER PUBLICATIONS

Shindaiwa Industry Co., Ltd, once appeared on the website, HT2200S-600, retrieved from Internet on Jun. 9, 2008, URL: <http://www.shindaiwa.co.jp/product/trimmer/ht2200s/index.html>, pp. 4.  
 Shindaiwa Industry Co., Ltd, once appeared on the website, HT2200S-600B, retrieved from Internet on Jun. 9, 2008, URL: <http://www.shindaiwa.co.jp/product/trimmer/ht2200s/index.html>, pp. 4.  
 Shindaiwa Industry Co., Ltd, once appeared on the website, HT2200S-750, retrieved from Internet on Jun. 9, 2008, URL: <http://www.shindaiwa.co.jp/product/trimmer/ht2200s/index.html>, pp. 4.

\* cited by examiner

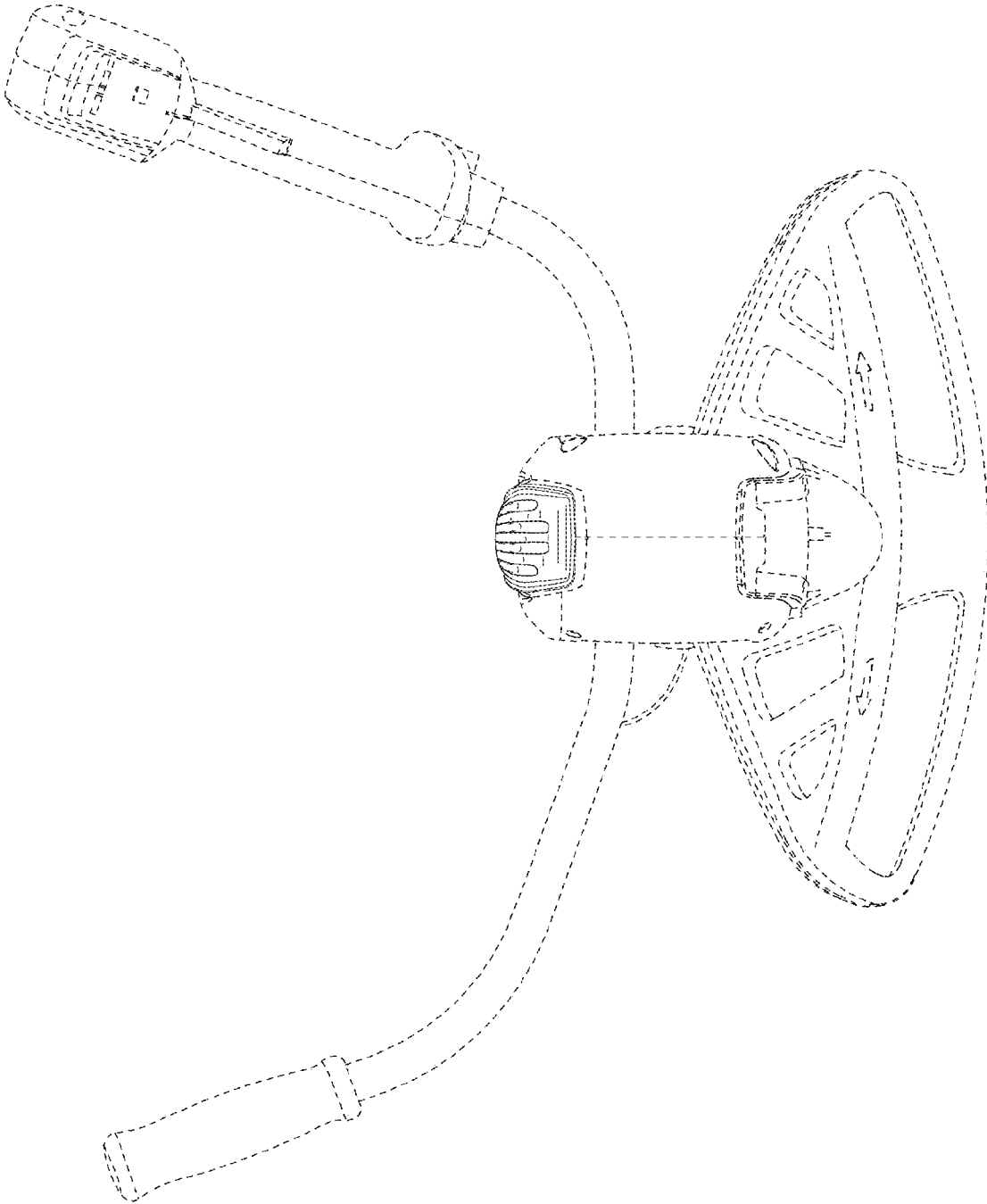


FIG. 1

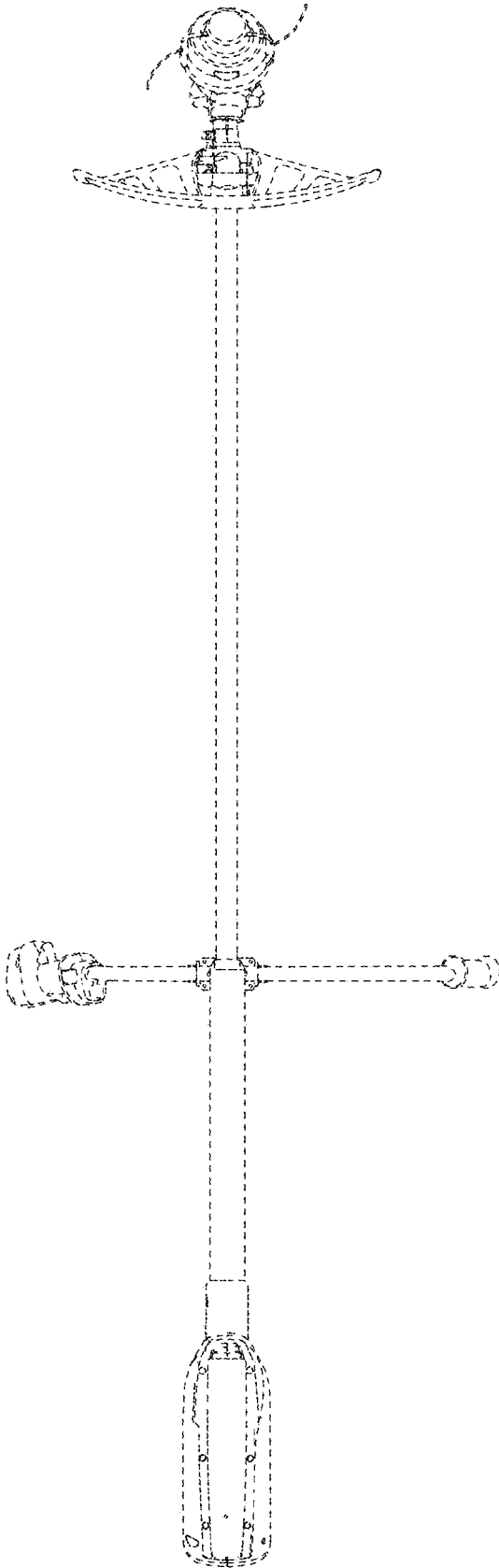


FIG. 2

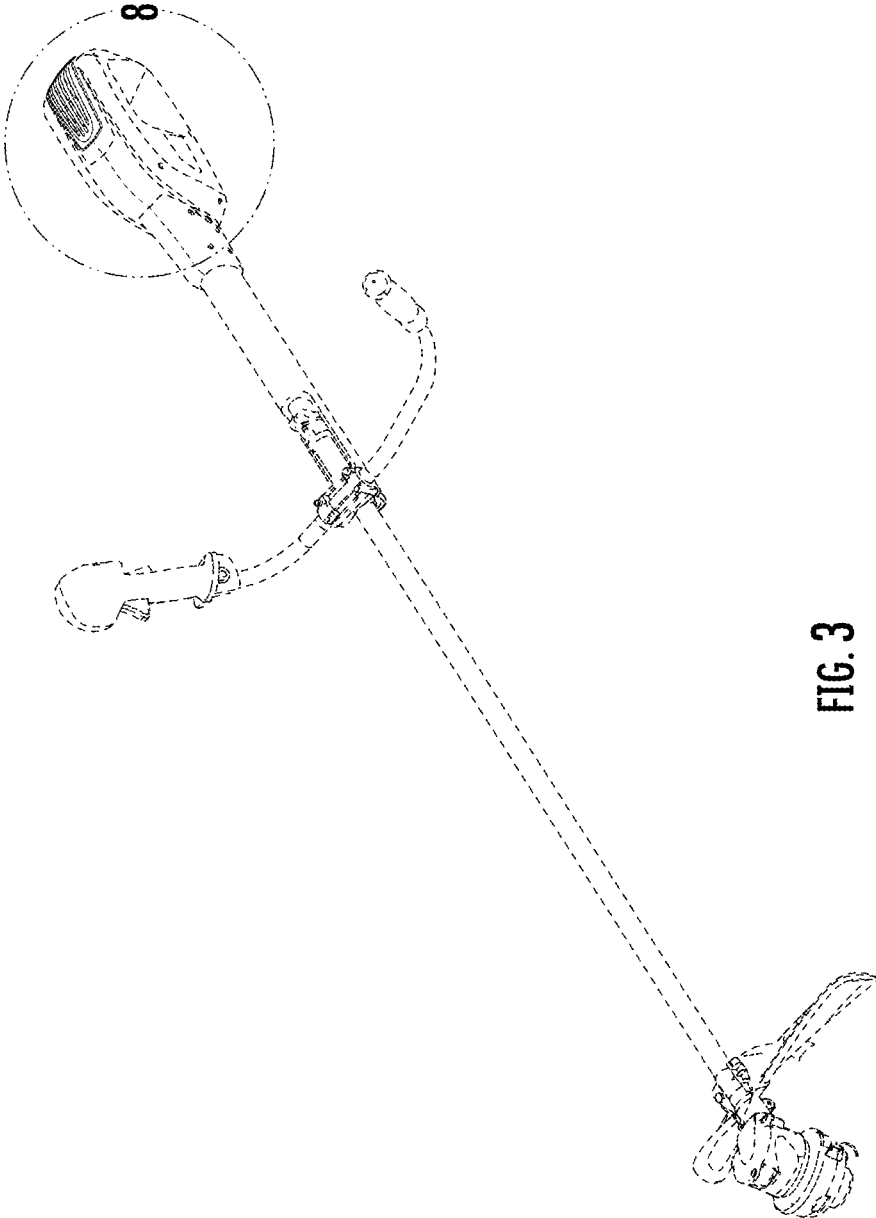


FIG. 3

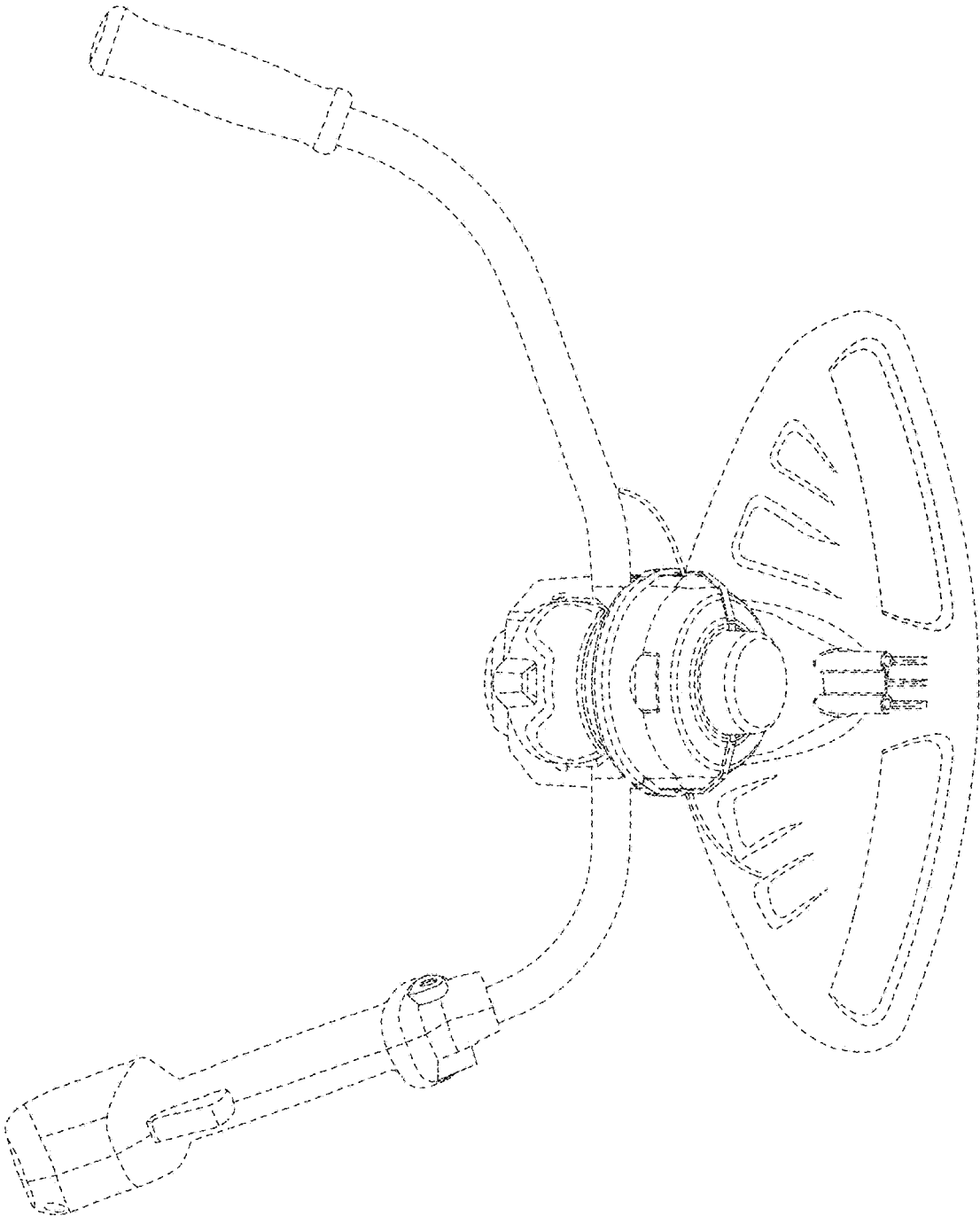


FIG. 4

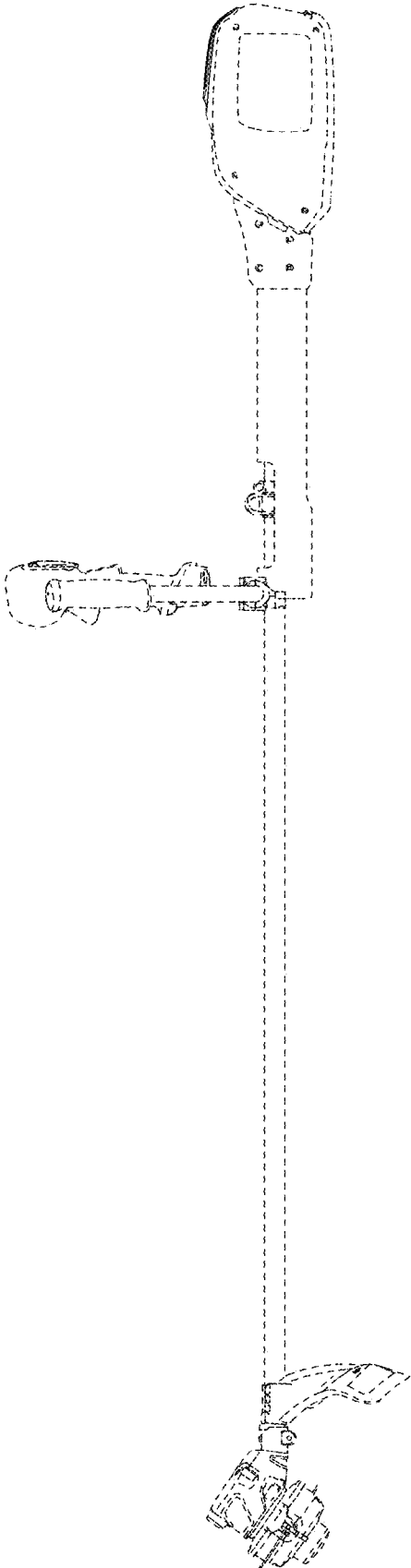


FIG. 5

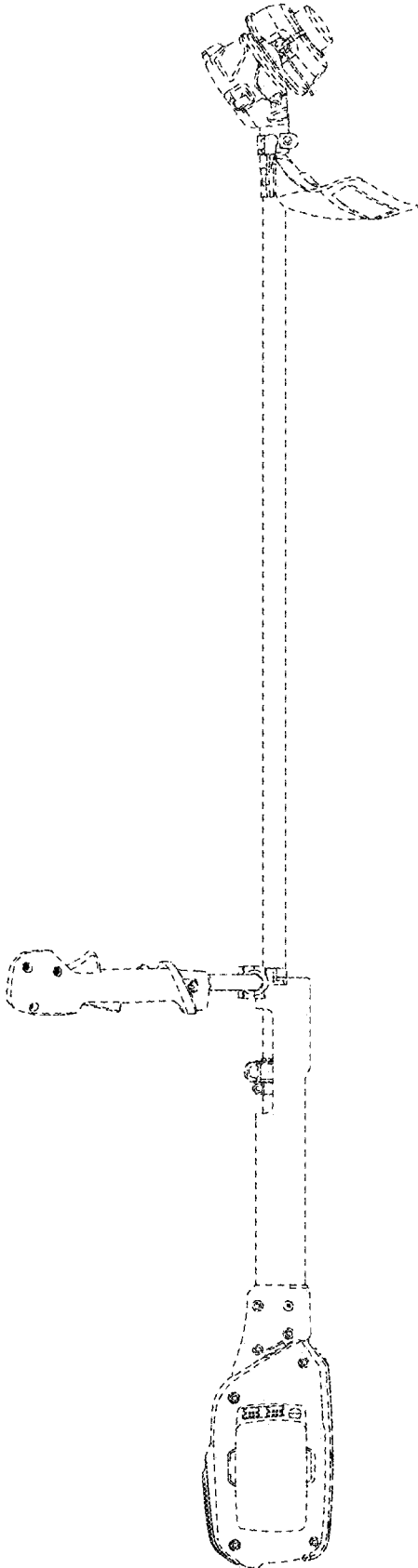


FIG. 6



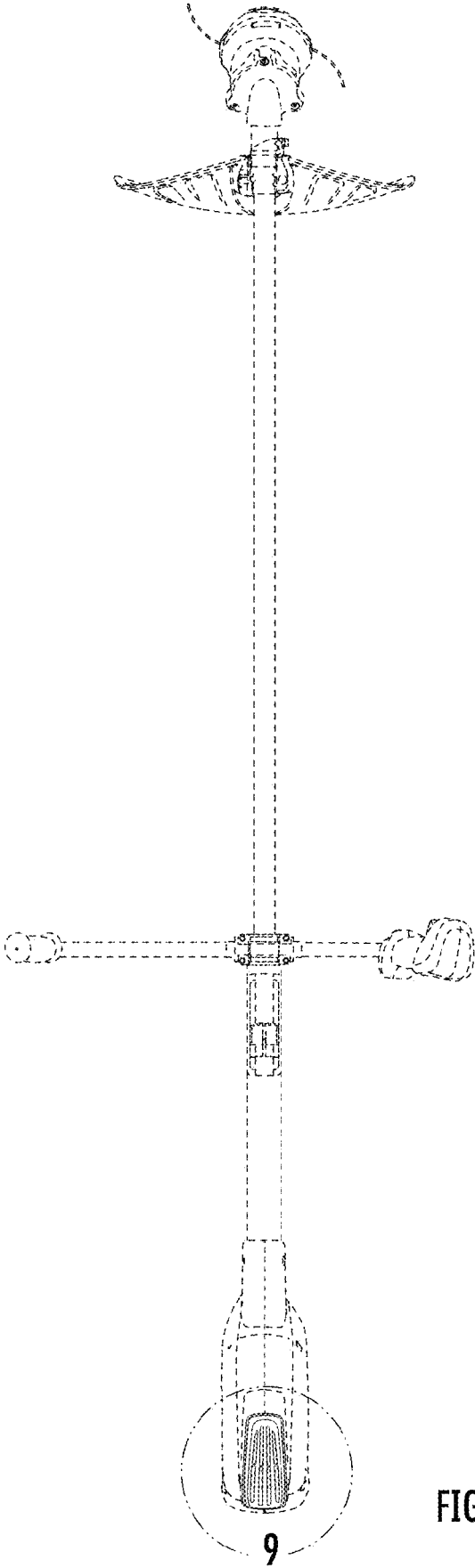


FIG. 7

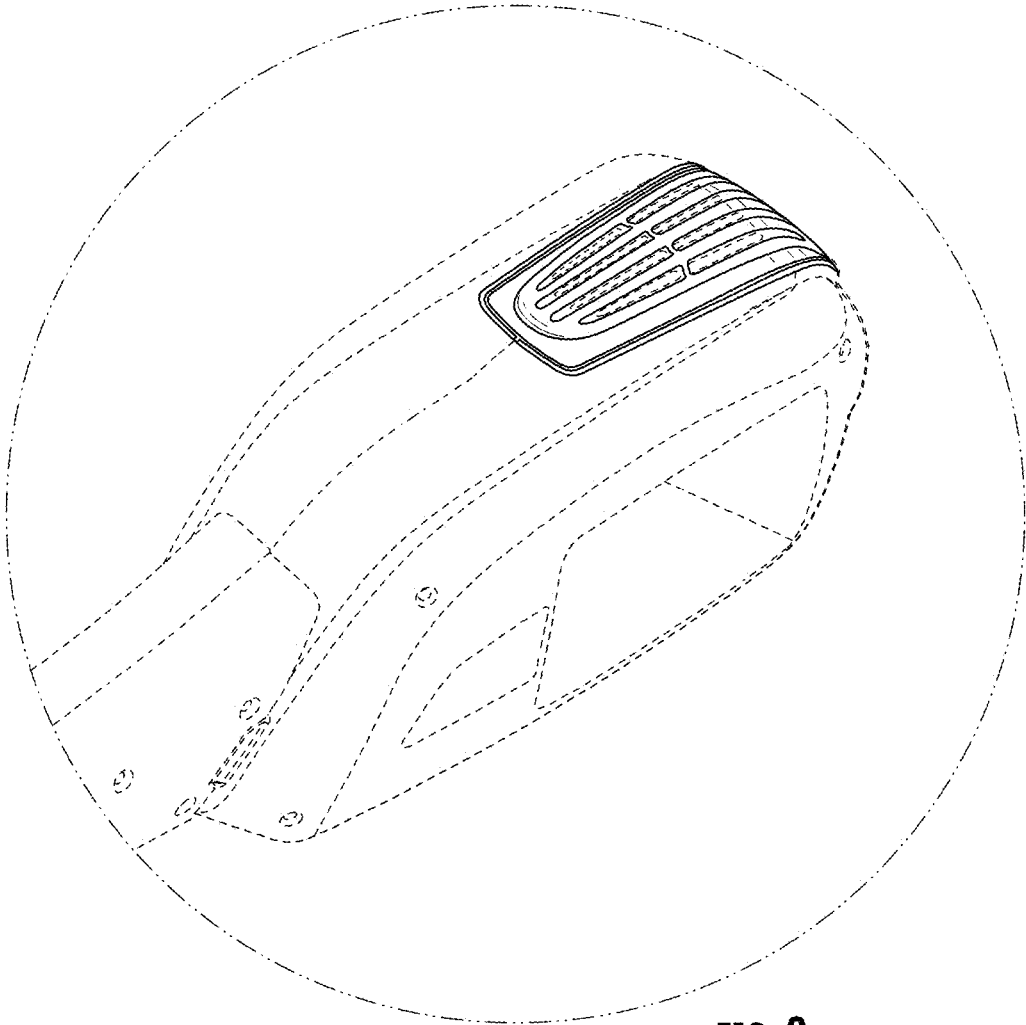


FIG. 8

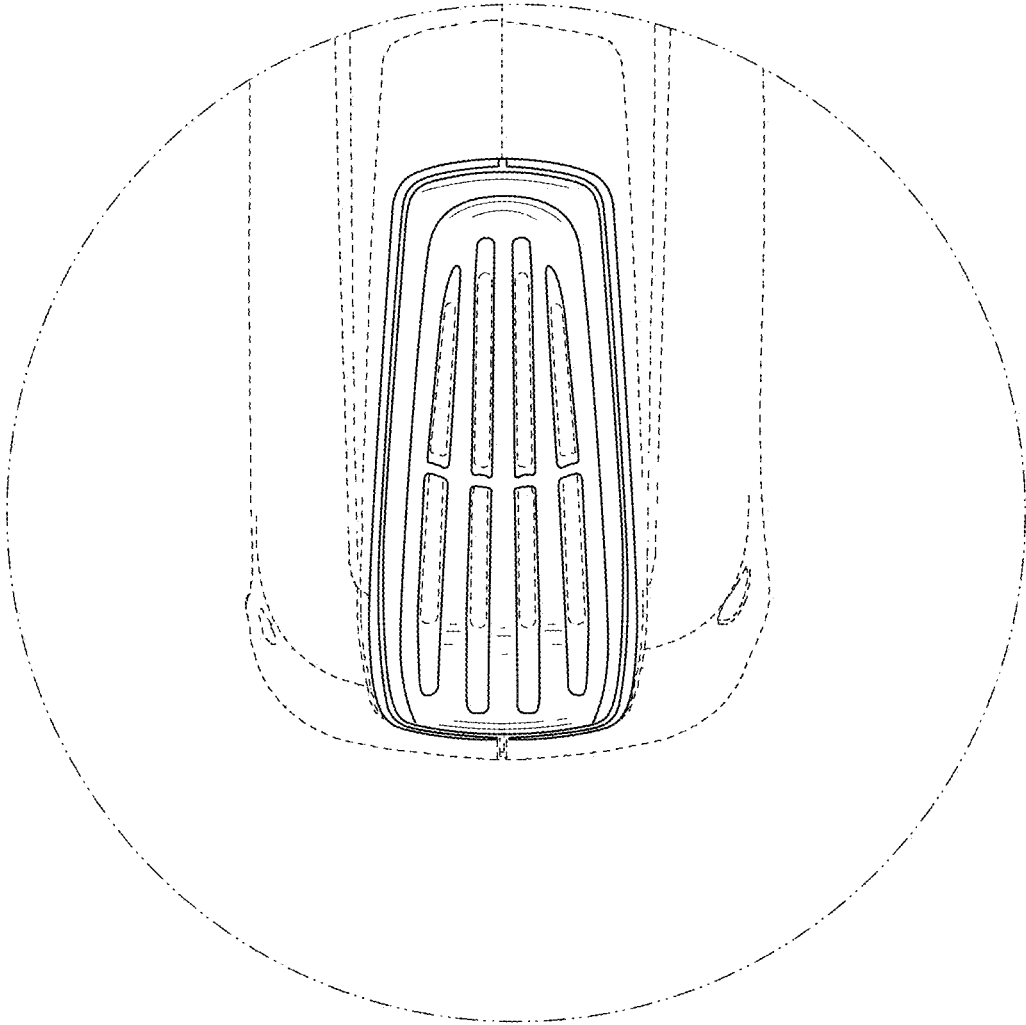


FIG. 9