



- (51) International Patent Classification:
H01L 21/66 (2006.01) H01L 21/673 (2006.01)
- (21) International Application Number:
PCT/US2009/001006
- (22) International Filing Date:
13 February 2009 (13.02.2009)
- (25) Filing Language: English
- (26) Publication Language: English
- (30) Priority Data:
61/066,074 15 February 2008 (15.02.2008) US
12/370,044 12 February 2009 (12.02.2009) US
- (71) Applicant (for all designated States except US): VEECO INSTRUMENTS INC. [US/US]; Terminal Drive, Plainview, NY 11803 (US).
- (72) Inventors; and
- (75) Inventors/Applicants (for US only): QUINN, William, E. [US/US]; 14 Militia Road, Whitehouse Station, NJ 08889 (US). BELOUSOV, Mikhail [RU/US]; 16 Gulick Lane, Plainsboro, NJ 08536 (US). LEE, Dong, Seung [US/US]; 34 Purcell Road East, Bridgewater, NJ 08807 (US). ARMOUR, Eric, A. [US/US]; 14 Laning Avenue, Pennington, NJ 08534 (US).
- (74) Agents: MILLET, Marcus, J. et al.; Lerner, David, Littenberg, Krumholz & Mentlik, LLP, 600 South Avenue West, Westfield, NJ 07090 (US).
- (81) Designated States (unless otherwise indicated, for every kind of national protection available): AE, AG, AL, AM, AO, AT, AU, AZ, BA, BB, BG, BH, BR, BW, BY, BZ, CA, CH, CN, CO, CR, CU, CZ, DE, DK, DM, DO, DZ, EC, EE, EG, ES, FI, GB, GD, GE, GH, GM, GT, HN, HR, HU, ID, IL, IN, IS, JP, KE, KG, KM, KN, KP, KR, KZ, LA, LC, LK, LR, LS, LT, LU, LY, MA, MD, ME, MG, MK, MN, MW, MX, MY, MZ, NA, NG, NI, NO, NZ, OM, PG, PH, PL, PT, RO, RS, RU, SC, SD, SE, SG, SK, SL, SM, ST, SV, SY, TJ, TM, TN, TR, TT, TZ, UA, UG, US, UZ, VC, VN, ZA, ZM, ZW.
- (84) Designated States (unless otherwise indicated, for every kind of regional protection available): ARIPO (BW, GH, GM, KE, LS, MW, MZ, NA, SD, SL, SZ, TZ, UG, ZM, ZW), Eurasian (AM, AZ, BY, KG, KZ, MD, RU, TJ, TM), European (AT, BE, BG, CH, CY, CZ, DE, DK, EE, ES, FI, FR, GB, GR, HR, HU, IE, IS, IT, LT, LU, LV, MC, MK, MT, NL, NO, PL, PT, RO, SE, SI, SK, TR), OAPI (BF, BJ, CF, CG, CI, CM, GA, GN, GQ, GW, ML, MR, NE, SN, TD, TG).

Published:
— with international search report (Art. 21(3))

[Continued on next page]

(54) Title: APPARATUS AND METHOD FOR BATCH NON-CONTACT MATERIAL CHARACTERIZATION

(57) Abstract: An apparatus for performing non-contact material characterization includes a wafer carrier (10) adapted to hold a plurality of substrates (12) and a material characterization device (20), such as a device for performing photoluminescence spectroscopy. The apparatus is adapted to perform non-contact material characterization on at least a portion of the wafer carrier (10), including the substrates (12) disposed thereon.

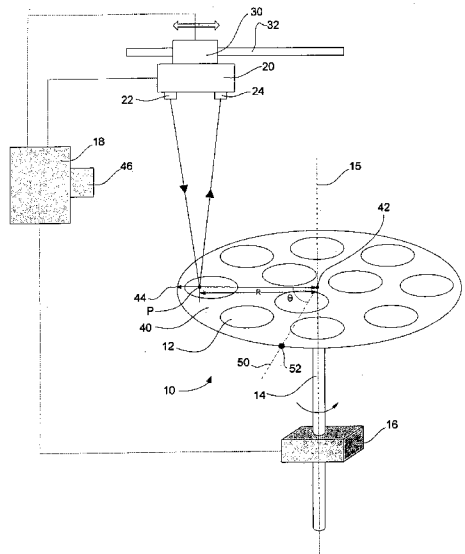


FIG. 1

WO 2009/102502 A3



— *before the expiration of the time limit for amending the claims and to be republished in the event of receipt of amendments (Rule 48.2(h))*

(88) Date of publication of the international search report:
29 October 2009

INTERNATIONAL SEARCH REPORT

International application No.
PCT/US2009/001006**A. CLASSIFICATION OF SUBJECT MATTER****H01L 21/66(2006.01)i, H01L 21/673(2006.01)i**

According to International Patent Classification (IPC) or to both national classification and IPC

B. FIELDS SEARCHED

Minimum documentation searched (classification system followed by classification symbols)

IPC: H01L 21/66

Documentation searched other than minimum documentation to the extent that such documents are included in the fields searched

Korean Utility models and applications for Utility models since 1975
Japanese Utility models and applications for Utility models since 1975

Electronic data base consulted during the international search (name of data base and, where practicable, search terms used)

KOMPASS(kipo internal) & keywords: wafer, carrier, and non-contact

C. DOCUMENTS CONSIDERED TO BE RELEVANT

Category*	Citation of document, with indication, where appropriate, of the relevant passages	Relevant to claim No.
X	US 2007-0291816 A1 (BORIS VOLFF, et. al.) 20 December 2007. See the abstract, figure 1, paragraphs [0025] and [0041]-[0042]	1, 4-8, 18-22, 27-29, 31
A		1-38
A	US 2004-0246493 A1 (YEONG RYEOL KIM, et. al.) 09 December 2004. See the abstract, paragraphs [0035]-[0038] and figure 5	1-38
A	JP 2007-005645 A (MITSUBISHI ELECTRIC CORP.) 11 January 2007. See the abstract and figures 1 and 3	1-38
A	KR 10-2007-0054453 A (SAMSUNG ELECTRONICS CO., LTD.) 29 May 2007. See the abstract and figures 1-4	1-38

 Further documents are listed in the continuation of Box C. See patent family annex.

* Special categories of cited documents:

"A" document defining the general state of the art which is not considered to be of particular relevance

"E" earlier application or patent but published on or after the international filing date

"L" document which may throw doubts on priority claim(s) or which is cited to establish the publication date of citation or other special reason (as specified)

"O" document referring to an oral disclosure, use, exhibition or other means

"P" document published prior to the international filing date but later than the priority date claimed

"T" later document published after the international filing date or priority date and not in conflict with the application but cited to understand the principle or theory underlying the invention

"X" document of particular relevance; the claimed invention cannot be considered novel or cannot be considered to involve an inventive step when the document is taken alone

"Y" document of particular relevance; the claimed invention cannot be considered to involve an inventive step when the document is combined with one or more other such documents, such combination being obvious to a person skilled in the art

"&" document member of the same patent family

Date of the actual completion of the international search

31 AUGUST 2009 (31.08.2009)

Date of mailing of the international search report

01 SEPTEMBER 2009 (01.09.2009)

Name and mailing address of the ISA/KR

Korean Intellectual Property Office
Government Complex-Daejeon, 139 Seonsa-ro, Seo-gu,
Daejeon 302-701, Republic of Korea

Facsimile No. 82-42-472-7140

Authorized officer

OH, CHANG SEOK

Telephone No. 82-42-481-5721



INTERNATIONAL SEARCH REPORT

Information on patent family members

International application No.

PCT/US2009/001006

Patent document cited in search report	Publication date	Patent family member(s)	Publication date
US 2007-0291816 A1	20.12.2007	US 07275861 B2	02.10.2007
		US 07452125 B2	18.11.2008
		US 2006-0171442 A1	03.08.2006
		WO 2006-083819 A1	10.08.2006
US 2004-0246493 A1	09.12.2004	EP 1430270 A4	25.10.2006
		EP 1430270 A1	23.06.2004
		JP 2005-503547 A	03.02.2005
		JP 04-242767 B2	09.01.2009
		JP 2009-031301 A	12.02.2009
		KR 10-0490325 B1	17.05.2005
		US 07286242 B2	23.10.2007
		WO 2003-025497 A1	27.03.2003
JP 2007-005645 A	11.01.2007	None	
KR 10-2007-0054453 A	29.05.2007	None	