



US00D769504S

(12) **United States Design Patent** (10) **Patent No.:** **US D769,504 S**
Jeswani et al. (45) **Date of Patent:** **** Oct. 18, 2016**

(54) **DOWNLIGHT LUMINAIRE**

OTHER PUBLICATIONS

(71) Applicant: **LEDVANCE LLC**, Wilmington, MA (US)

Assignee's co-pending design application, U.S. Appl. No. 29/491,691, filed May 22, 2014.

(Continued)

(72) Inventors: **Anil Jeswani**, Beverly, MA (US); **Jean-Francois Rouleau**, Charlestown, MA (US); **Peter Stratemeyer**, Westford, MA (US); **Zhiming Huang**, Taoyuan (CN)

Primary Examiner — Angela J Lee

(74) *Attorney, Agent, or Firm* — Andrew Martin

(73) Assignee: **LEDVANCE LLC**, Wilmington, MA (US)

(57) **CLAIM**

The ornamental design for a downlight luminaire, as shown and described.

(**) Term: **15 Years**

DESCRIPTION

(21) Appl. No.: **29/529,573**

(22) Filed: **Jun. 9, 2015**

(51) **LOC (10) Cl.** **26-05**

(52) **U.S. Cl.**

USPC **D26/74**

(58) **Field of Classification Search**

USPC D26/74, 72, 75, 76, 77, 78, 85, 88, 89, D26/118, 138, 141; 362/364, 365, 373, 145, 362/146, 147, 148, 150, 153, 153.1, 294, 362/296.01, 296.07, 296.08

CPC ... F21V 29/2262; F21V 7/06; F21V 21/044; F21V 21/047; F21V 29/2212; F21V 29/2225; F21V 29/2256; F21V 29/225; F21V 29/2268; F21Y 2111/002; F21S 8/02; F21S 8/026

See application file for complete search history.

FIG. 1 is a front perspective view of the ornamental design for the downlight luminaire; FIG. 2 is a front view thereof; FIG. 3 is a right side elevational view thereof; FIG. 4 is a first side elevational view seen rotated 45 degrees from the view of FIG. 3; FIG. 5 is a second side elevational view seen rotated 45 degrees from the view of FIG. 4; FIG. 6 is a rear view thereof; and FIG. 7 is a rear perspective view thereof. FIG. 8 is a front perspective view of a second embodiment of the ornamental design for the downlight luminaire; FIG. 9 is a front view of the second embodiment; FIG. 10 is a right side elevational view of the second embodiment; FIG. 11 is a first side elevational view seen rotated 45 degrees from the view of FIG. 10; FIG. 12 is a second side elevational view seen rotated 45 degrees from the view of FIG. 11; FIG. 13 is a rear view of the second embodiment; and, FIG. 14 is a rear perspective view of the second embodiment.

The broken line disclosure is for environmental purposes only, and does not form a part of the claimed design.

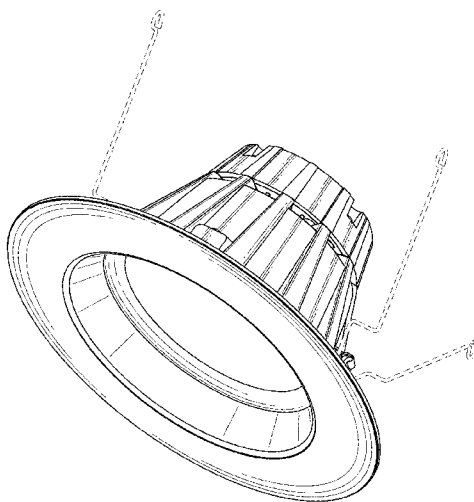
(56) **References Cited**

U.S. PATENT DOCUMENTS

D678,583 S *	3/2013	Jeswani	D26/74
D678,584 S *	3/2013	Schmitt	D26/74
D678,585 S *	3/2013	Schmitt	D26/74
D679,044 S	3/2013	Jeswani et al.		
D681,860 S *	5/2013	Soni	D26/74

(Continued)

1 Claim, 14 Drawing Sheets



(56)

References Cited

8,820,983 B2 9/2014 Schmitt et al.

U.S. PATENT DOCUMENTS

D684,286 S * 6/2013 Rashidi D26/74
D684,288 S * 6/2013 Gielen D26/74
D690,451 S * 9/2013 Rashidi D26/74
D690,865 S * 10/2013 Rashidi D26/74
D691,314 S * 10/2013 Rashidi D26/74
D706,479 S 6/2014 Jeswani et al.
8,814,395 B1 8/2014 Schmitt et al.

OTHER PUBLICATIONS

Assignee's co-pending design application, U.S. Appl. No.
29/491,693, filed May 22, 2014.

* cited by examiner

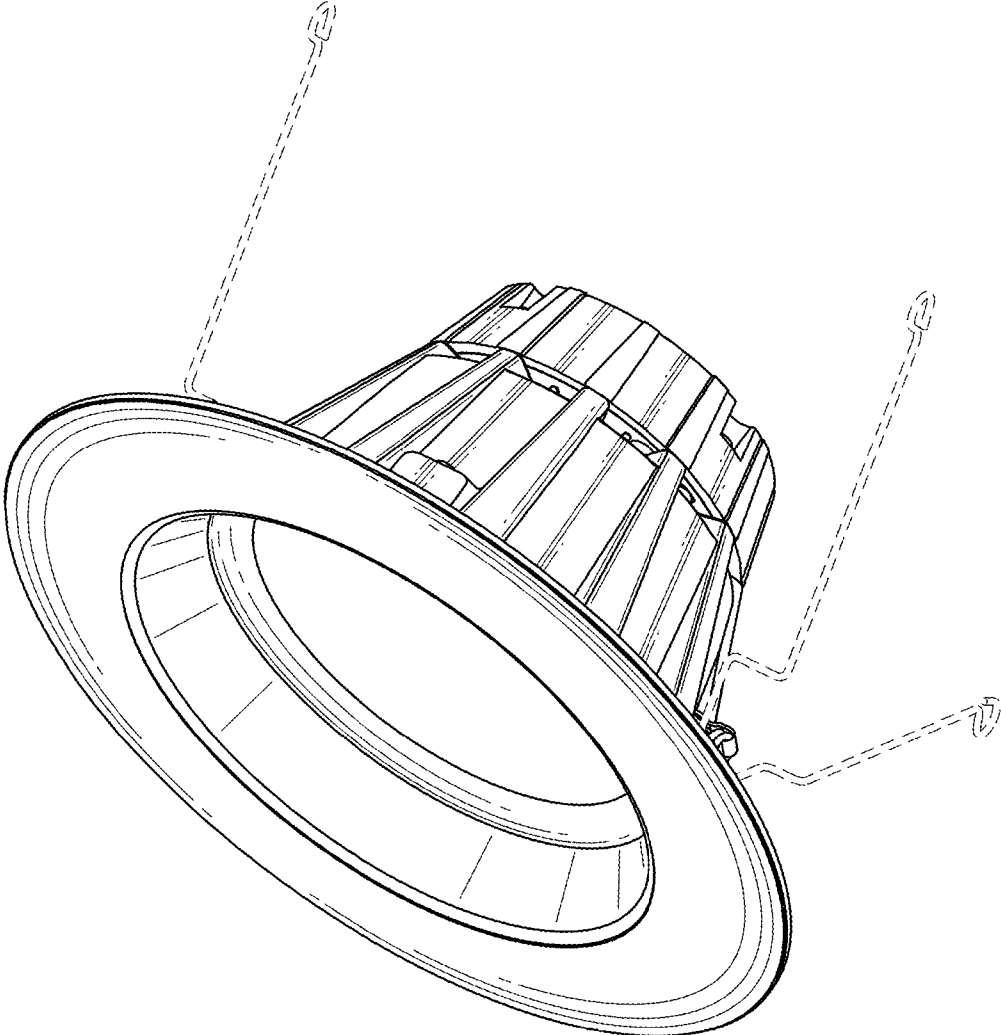


FIG. 1

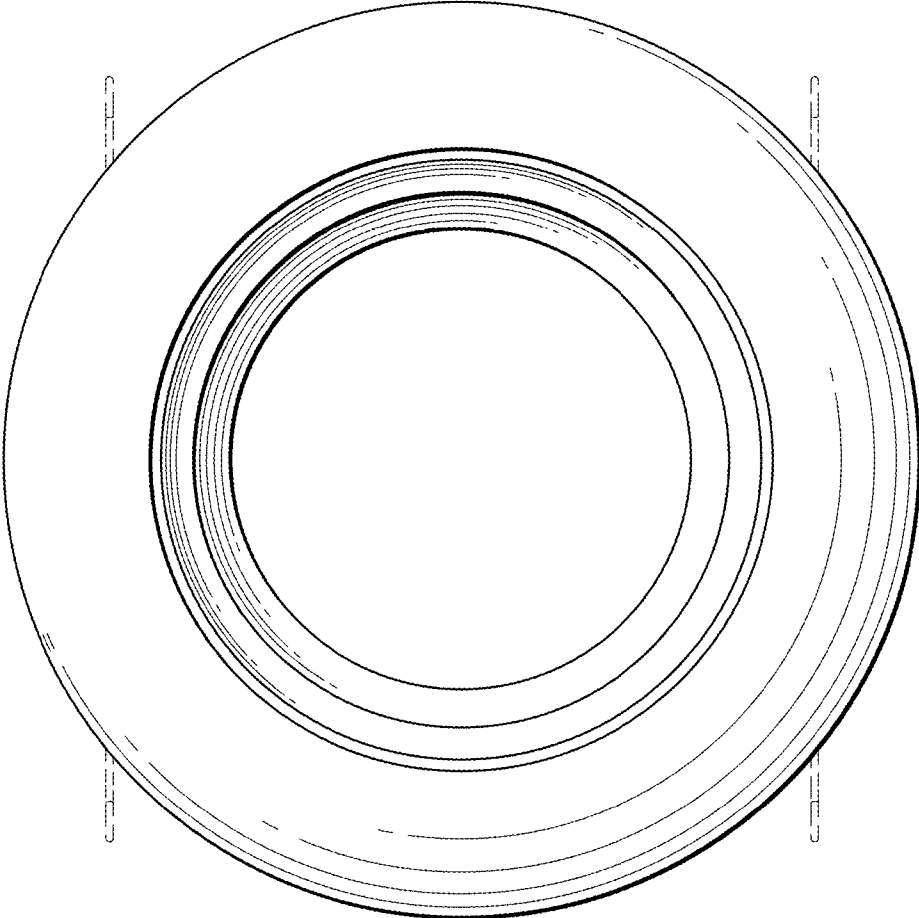


FIG. 2

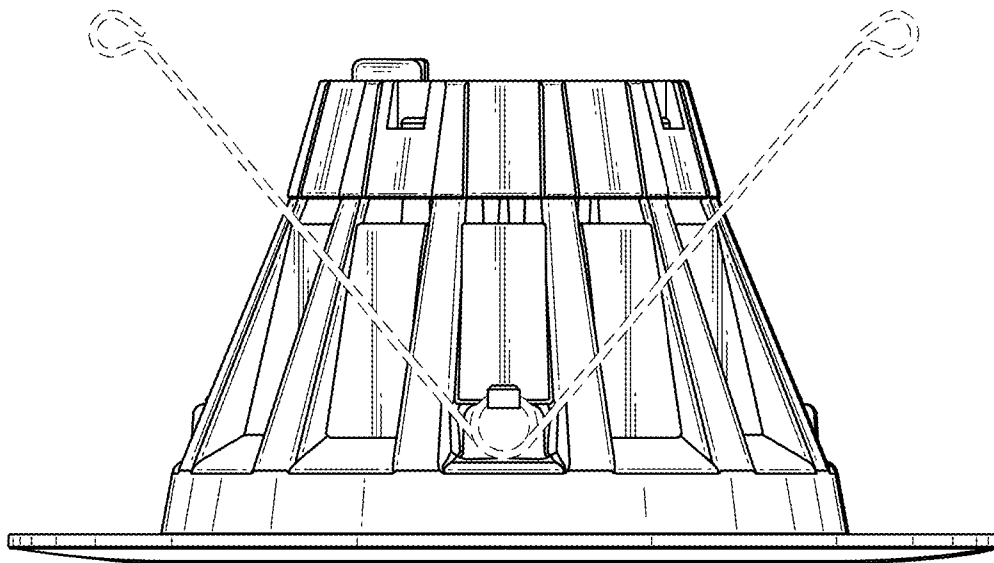


FIG. 3

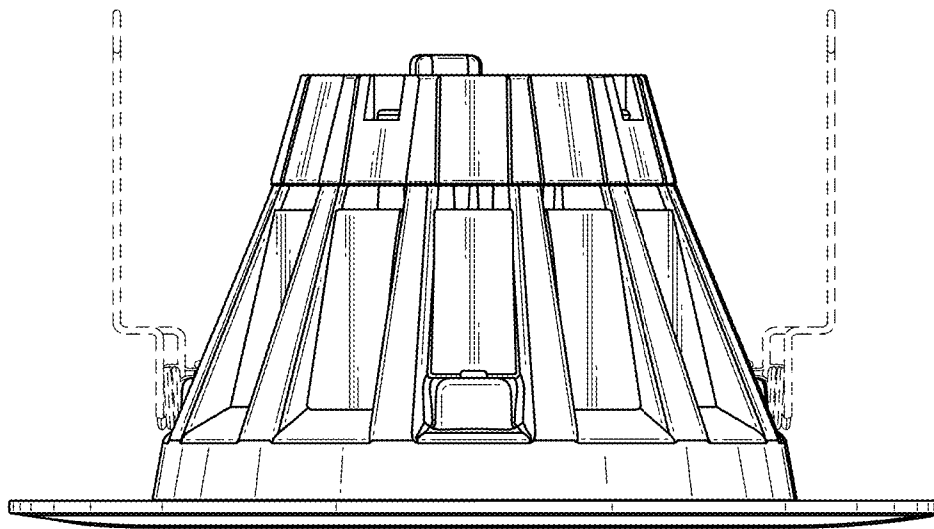


FIG. 4

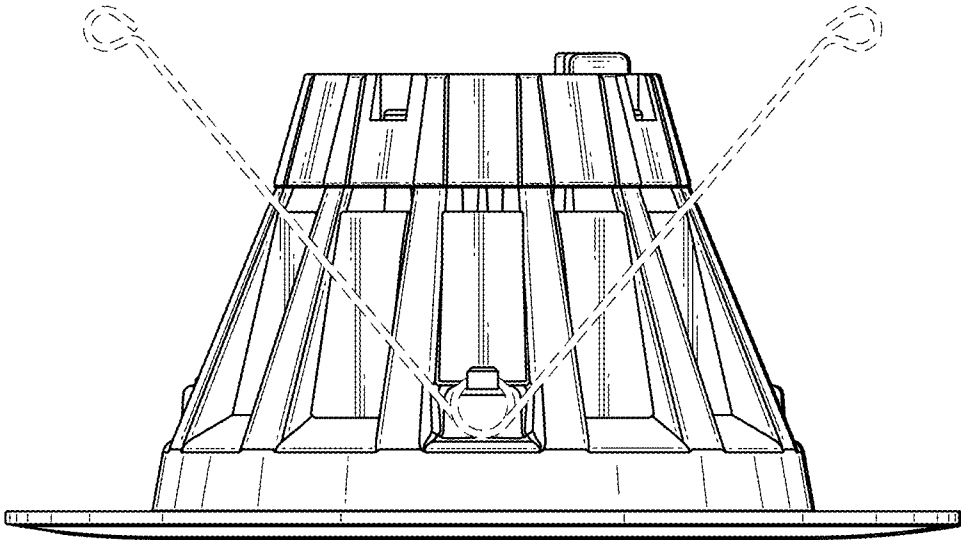


FIG. 5

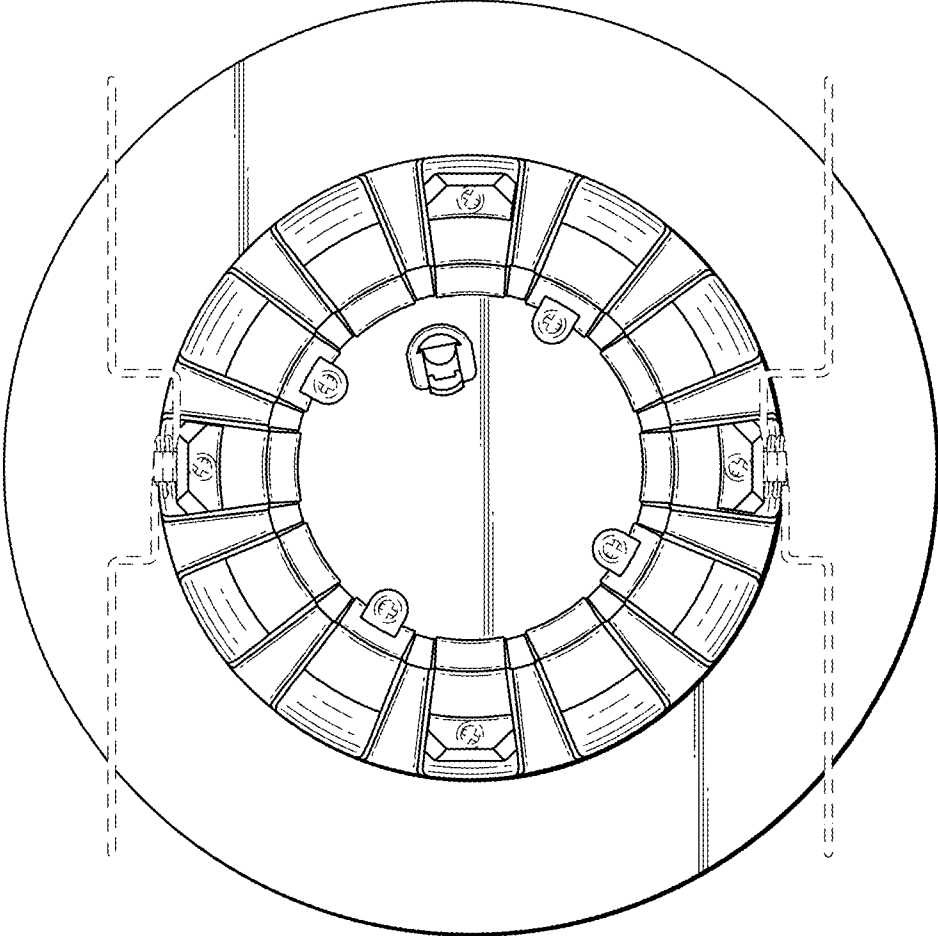


FIG. 6

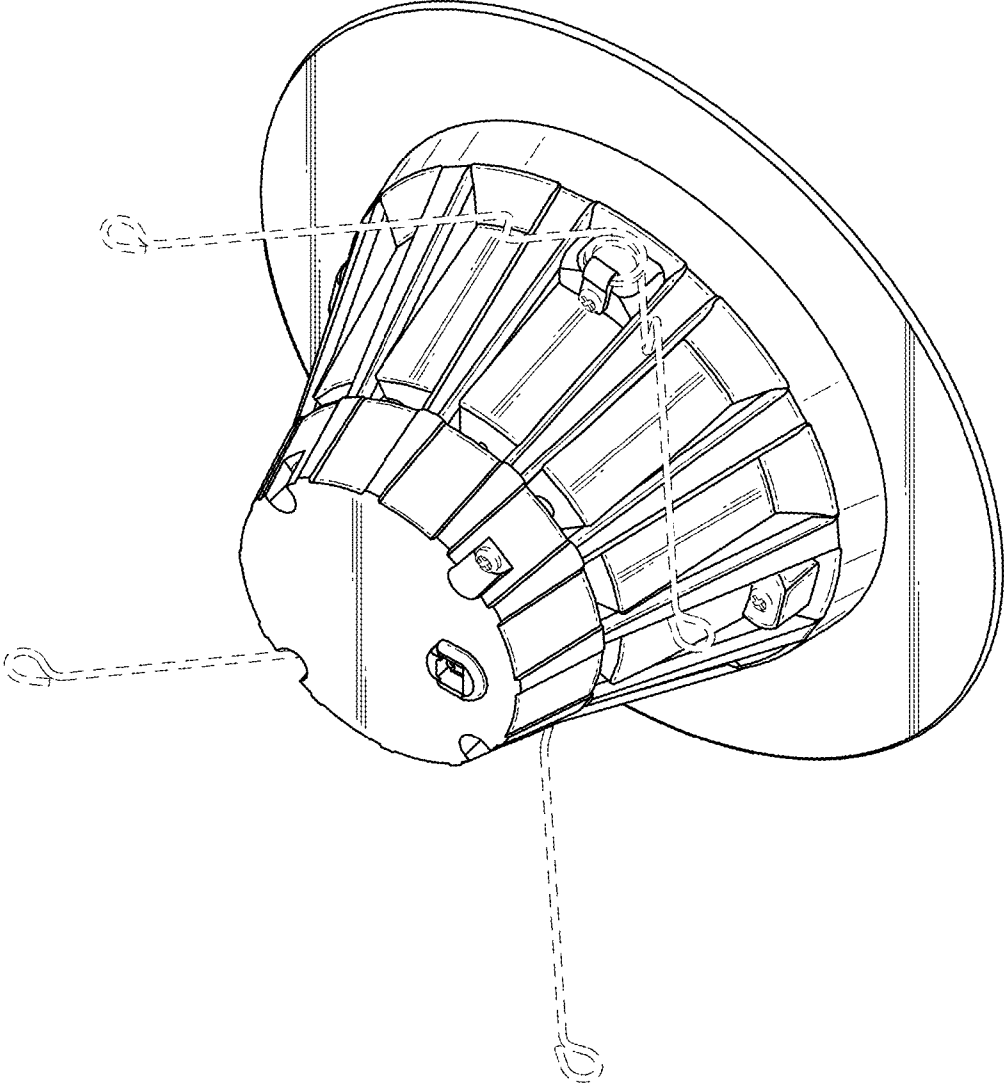


FIG. 7

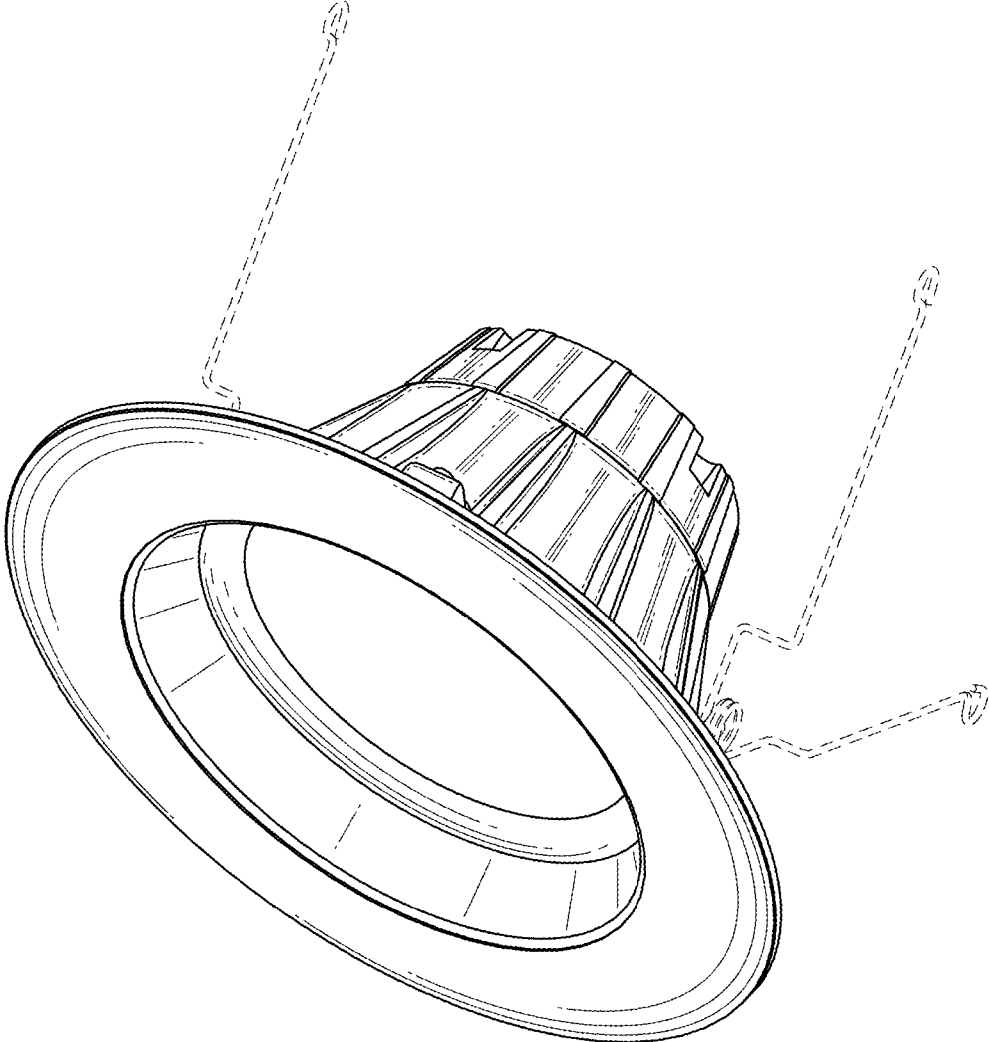


FIG. 8

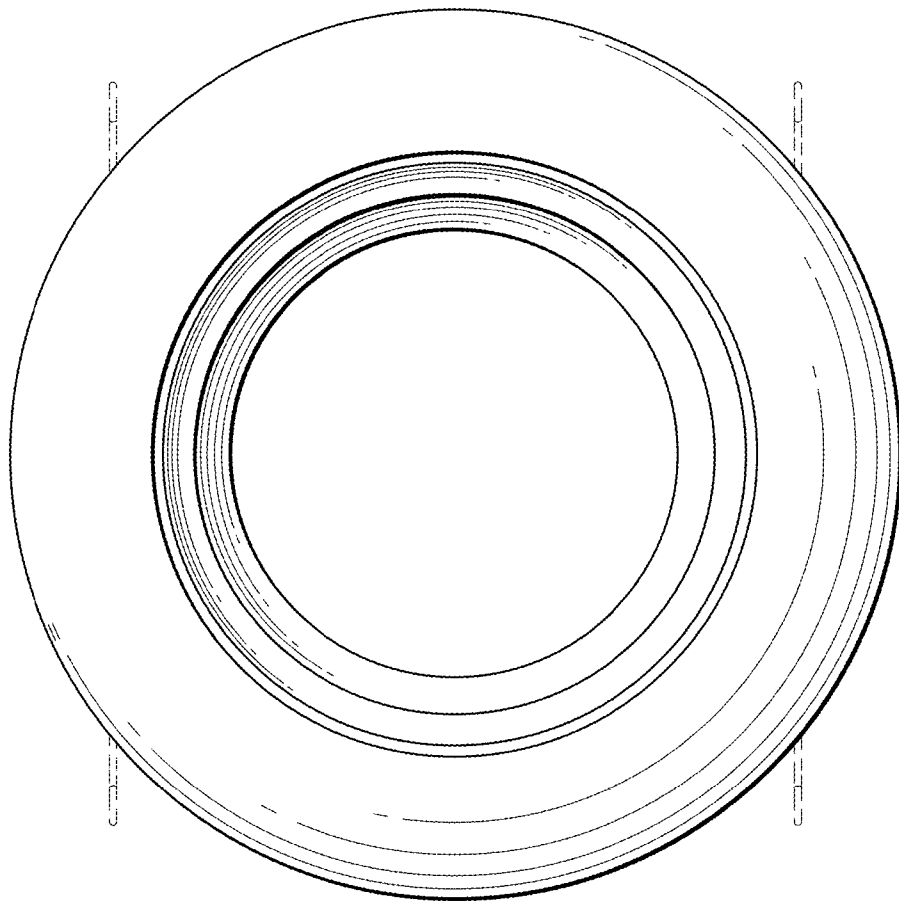


FIG. 9

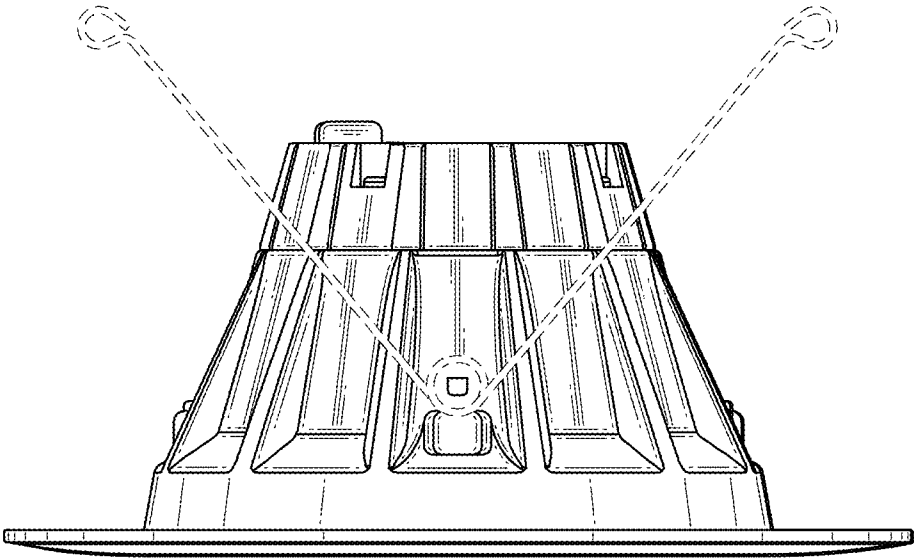


FIG. 10

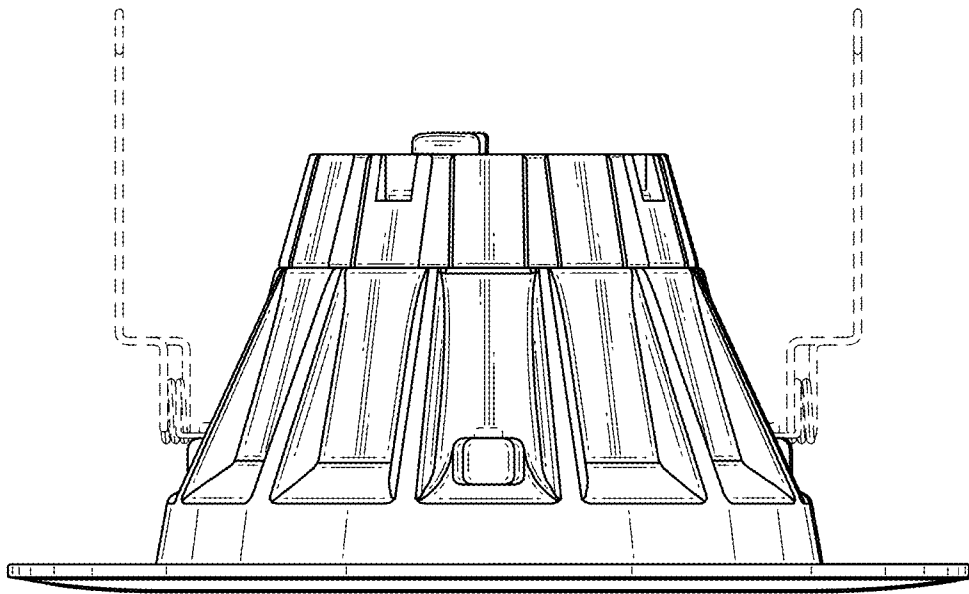


FIG. 11

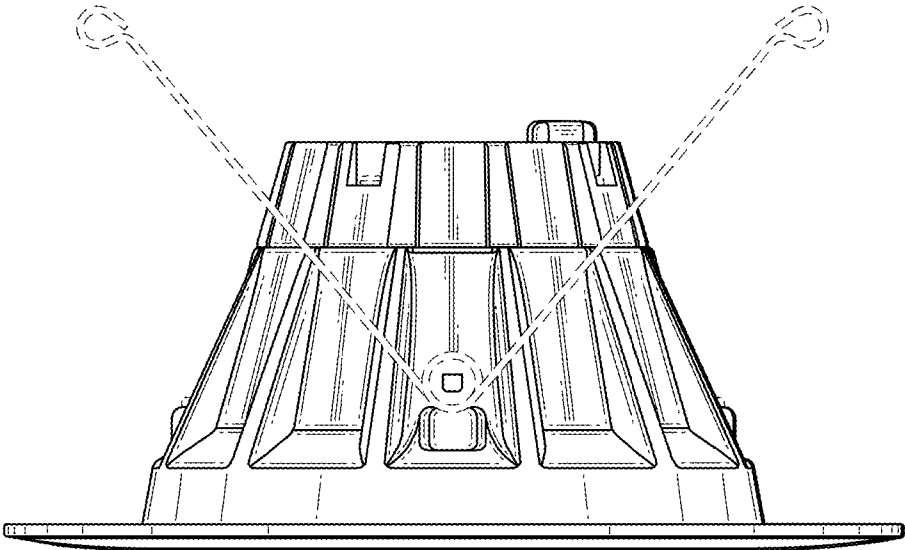


FIG. 12

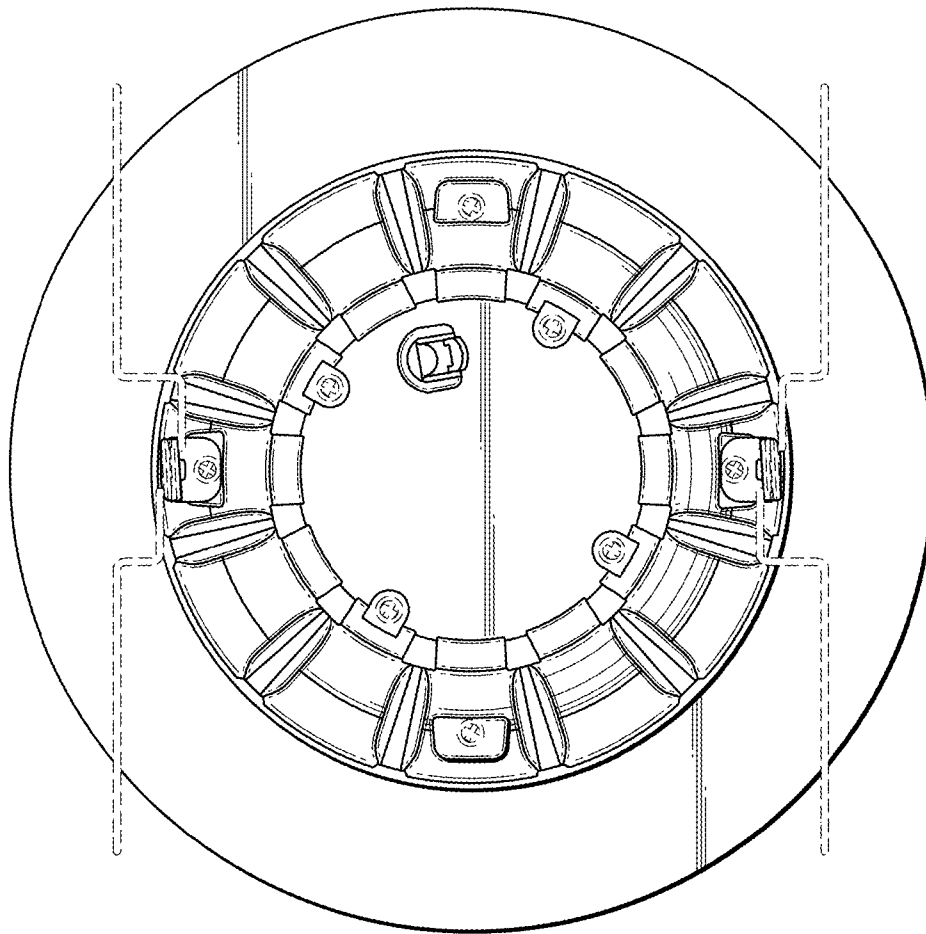


FIG. 13

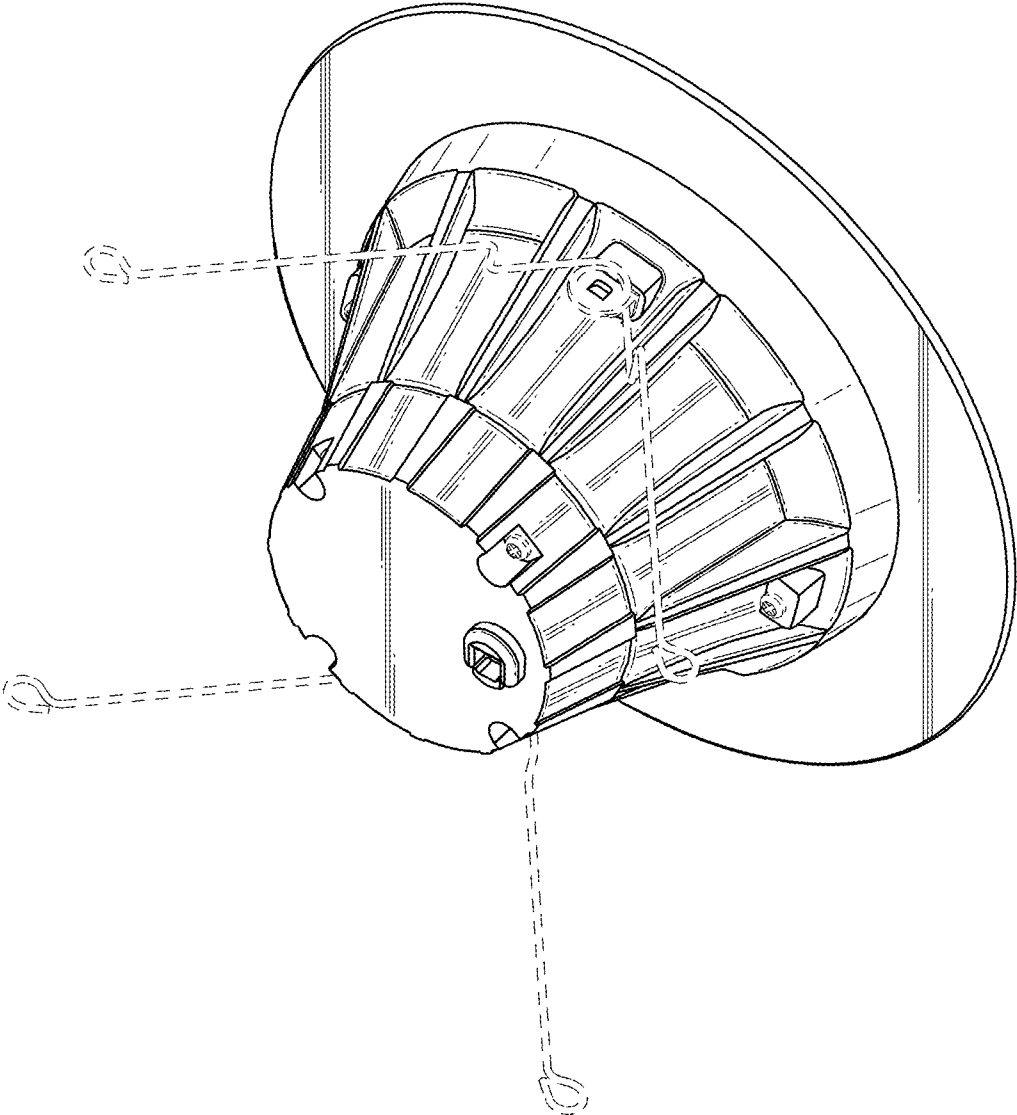


FIG. 14