

(19) World Intellectual Property
Organization
International Bureau



(43) International Publication Date
11 March 2004 (11.03.2004)

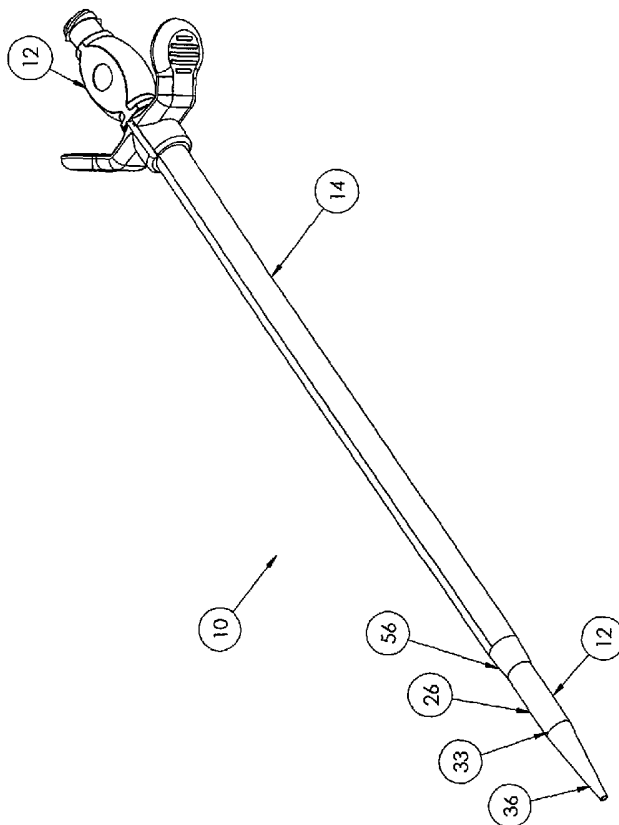
PCT

(10) International Publication Number
WO 2004/019760 A3

- (51) International Patent Classification⁷: A61M 29/00
- (21) International Application Number:
PCT/US2003/026949
- (22) International Filing Date: 28 August 2003 (28.08.2003)
- (25) Filing Language: English
- (26) Publication Language: English
- (30) Priority Data:
60/406,740 29 August 2002 (29.08.2002) US
- (71) Applicant (for all designated States except US): MEDICAL COMPONENTS, INC. [US/US]; 1499 Delp Drive, Harleysville, PA 19438 (US).
- (72) Inventor; and
- (75) Inventor/Applicant (for US only): NARDEO, Mahase [US/US]; 3842 Ashley Court, Collegeville, PA 19428 (US).
- (74) Agent: MAENNER, Joseph, E.; Monte & McGraw, P.C., P.O. Box 650, 4092 Skippack Pike, Skippack, PA 19474 (US).
- (81) Designated States (national): AE, AG, AL, AM, AT, AU, AZ, BA, BB, BG, BR, BY, BZ, CA, CH, CN, CO, CR, CU, CZ, DE, DK, DM, DZ, EC, EE, ES, FI, GB, GD, GE, GH, GM, HR, HU, ID, IL, IN, IS, JP, KE, KG, KP, KR, KZ, LC, LK, LR, LS, LT, LU, LV, MA, MD, MG, MK, MN, MW, MX, MZ, NO, NZ, OM, PH, PL, PT, RO, RU, SC, SD, SE, SG, SK, SL, TJ, TM, TN, TR, TT, TZ, UA, UG, US, UZ, VC, VN, YU, ZA, ZM, ZW.
- (84) Designated States (regional): ARIPO patent (GH, GM, KE, LS, MW, MZ, SD, SL, SZ, TZ, UG, ZM, ZW), Eurasian patent (AM, AZ, BY, KG, KZ, MD, RU, TJ, TM), European patent (AT, BE, BG, CH, CY, CZ, DE, DK, EE, ES, FI, FR, GB, GR, HU, IE, IT, LU, MC, NL, PT, RO, SE, SI, SK, TR), OAPI patent (BF, BJ, CF, CG, CI, CM, GA, GN, GQ, GW, ML, MR, NE, SN, TD, TG).

[Continued on next page]

(54) Title: RELEASABLY LOCKING DILATOR AND SHEATH ASSEMBLY



(57) Abstract: A releasably locking dilator and sheath assembly and methods for releasing the dilator from the sheath and longitudinally splitting the sheath are provided. The assembly includes a dilator having a dilator hub and a sheath having a sheath hub. The sheath hub has two opposing winged tabs, each tab having a perpendicular portion and an angled portion as well as a female threaded portion. The dilator hub has a male threaded portion designed to engage the female threaded portion of the sheath hub. The dilator is released from the sheath by rotating the dilator 90° in relation to the sheath and pulling the dilator out of the sheath. The sheath is longitudinally split by creating a couple on each of the winged tabs thereby forcing the sheath and the sheath hub to split longitudinally. With the sheath and sheath hub split longitudinally, the sheath is removed from around a catheter while leaving the catheter in place.

WO 2004/019760 A3



Published:

— *with international search report*

(88) Date of publication of the international search report:

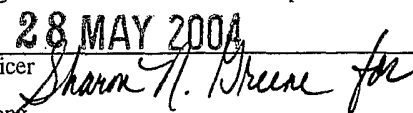
19 August 2004

For two-letter codes and other abbreviations, refer to the "Guidance Notes on Codes and Abbreviations" appearing at the beginning of each regular issue of the PCT Gazette.

INTERNATIONAL SEARCH REPORT

International application No.

PCT/US03/26949

A. CLASSIFICATION OF SUBJECT MATTER		
IPC(7) : A61M 29/00		
US CL : 606/191, 193, 198, 199		
According to International Patent Classification (IPC) or to both national classification and IPC		
B. FIELDS SEARCHED		
Minimum documentation searched (classification system followed by classification symbols) U.S. : 606/191, 193, 198, 199		
Documentation searched other than minimum documentation to the extent that such documents are included in the fields searched		
Electronic data base consulted during the international search (name of data base and, where practicable, search terms used)		
C. DOCUMENTS CONSIDERED TO BE RELEVANT		
Category *	Citation of document, with indication, where appropriate, of the relevant passages	Relevant to claim No.
A	US 6,080,174 A (DUBRUL et al) 27 June 2000 (27.06.2000), See entire document.	1-26
<input type="checkbox"/> Further documents are listed in the continuation of Box C. <input type="checkbox"/> See patent family annex.		
* Special categories of cited documents:		
"A"	document defining the general state of the art which is not considered to be of particular relevance	"T" later document published after the international filing date or priority date and not in conflict with the application but cited to understand the principle or theory underlying the invention
"E"	earlier application or patent published on or after the international filing date	"X" document of particular relevance; the claimed invention cannot be considered novel or cannot be considered to involve an inventive step when the document is taken alone
"L"	document which may throw doubts on priority claim(s) or which is cited to establish the publication date of another citation or other special reason (as specified)	"Y" document of particular relevance; the claimed invention cannot be considered to involve an inventive step when the document is combined with one or more other such documents, such combination being obvious to a person skilled in the art
"O"	document referring to an oral disclosure, use, exhibition or other means	"&" document member of the same patent family
"P"	document published prior to the international filing date but later than the priority date claimed	
Date of the actual completion of the international search		Date of mailing of the international search report
Name and mailing address of the ISA/US Mail Stop PCT, Attn: ISA/US Commissioner for Patents P.O. Box 1450 Alexandria, Virginia 22313-1450 Facsimile No. (703) 305-3230		Authorized officer <div style="text-align: center;"> 28 MAY 2004  Kevin T. Truong Telephone No. 703-308-0858 </div>