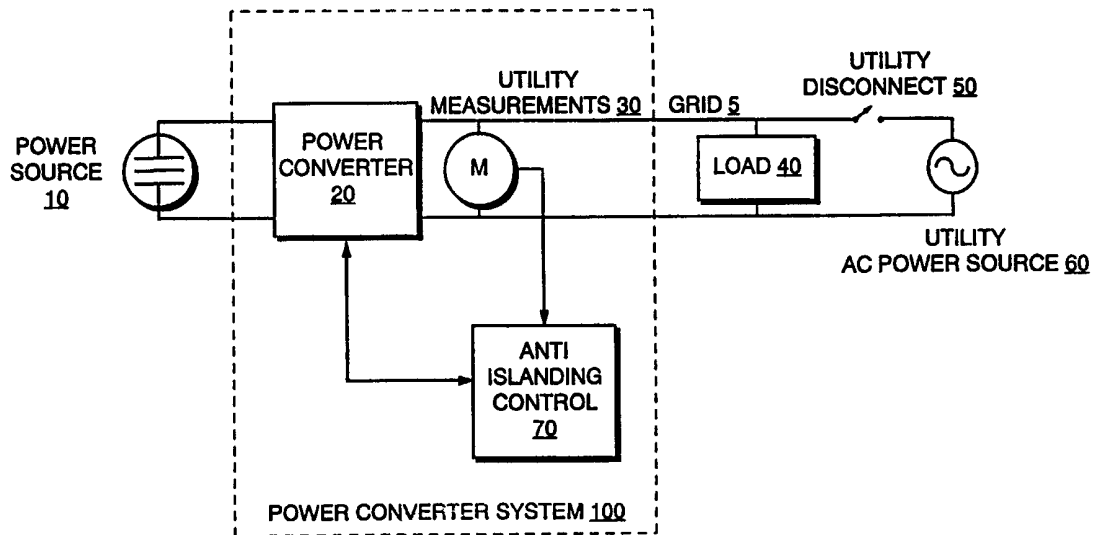




INTERNATIONAL APPLICATION PUBLISHED UNDER THE PATENT COOPERATION TREATY (PCT)

<p>(51) International Patent Classification <sup>6</sup> : <b>H02J 1/00, 1/10, H01H 47/28, H02M 13/02, 7/00</b></p>	<p><b>A1</b></p>	<p>(11) International Publication Number: <b>WO 99/27629</b> (43) International Publication Date: 3 June 1999 (03.06.99)</p>
<p>(21) International Application Number: PCT/US98/25094 (22) International Filing Date: 24 November 1998 (24.11.98) (30) Priority Data: 60/066,460 24 November 1997 (24.11.97) US (71)(72) Applicant and Inventor: WILLS, Robert, H. [US/US]; 26 Eastview Drive, Unit #37, Wilton, NH 03086 (US). (74) Agents: ASMUS, Scott, J. et al.; Maine &amp; Asmus, 8 Valencia Drive, Nashua, NH 03062 (US).</p>		<p>(81) Designated States: AL, AM, AT, AU, AZ, BA, BB, BG, BR, BY, CA, CH, CN, CU, CZ, DE, DK, EE, ES, FI, GB, GE, GH, GM, HR, HU, ID, IL, IS, JP, KE, KG, KP, KR, KZ, LC, LK, LR, LS, LT, LU, LV, MD, MG, MK, MN, MW, MX, NO, NZ, PL, PT, RO, RU, SD, SE, SG, SI, SK, SL, TJ, TM, TR, TT, UA, UG, US, UZ, VN, YU, ZW, ARIPO patent (GH, GM, KE, LS, MW, SD, SZ, UG, ZW), Eurasian patent (AM, AZ, BY, KG, KZ, MD, RU, TJ, TM), European patent (AT, BE, CH, CY, DE, DK, ES, FI, FR, GB, GR, IE, IT, LU, MC, NL, PT, SE), OAPI patent (BF, BJ, CF, CG, CI, CM, GA, GN, GW, ML, MR, NE, SN, TD, TG).</p> <p><b>Published</b> <i>With international search report. Before the expiration of the time limit for amending the claims and to be republished in the event of the receipt of amendments.</i></p>

(54) Title: ANTI-ISLANDING METHOD AND APPARATUS FOR DISTRIBUTED POWER GENERATION



(57) Abstract

The invention is a method and apparatus for reliably protecting against island situations with one or multiple power sources (10) connected to an electric distribution grid (5). The method and apparatus detects and measures (30) variations in the voltage and frequency of the grid (5). An observed change in grid voltage causes a change in output power that is sufficient to cause an even larger change in grid voltage when the utility AC power source (60) is disconnected (50). An observed change in grid frequency causes a change in phase or reactive output power that is sufficient to cause an even larger change in grid frequency. If several shifts in voltage or frequency happen in the same direction, the response to the change is increased in an accelerating manner.

**FOR THE PURPOSES OF INFORMATION ONLY**

Codes used to identify States party to the PCT on the front pages of pamphlets publishing international applications under the PCT.

AL	Albania	ES	Spain	LS	Lesotho	SI	Slovenia
AM	Armenia	FI	Finland	LT	Lithuania	SK	Slovakia
AT	Austria	FR	France	LU	Luxembourg	SN	Senegal
AU	Australia	GA	Gabon	LV	Latvia	SZ	Swaziland
AZ	Azerbaijan	GB	United Kingdom	MC	Monaco	TD	Chad
BA	Bosnia and Herzegovina	GE	Georgia	MD	Republic of Moldova	TG	Togo
BB	Barbados	GH	Ghana	MG	Madagascar	TJ	Tajikistan
BE	Belgium	GN	Guinea	MK	The former Yugoslav Republic of Macedonia	TM	Turkmenistan
BF	Burkina Faso	GR	Greece	ML	Mali	TR	Turkey
BG	Bulgaria	HU	Hungary	MN	Mongolia	TT	Trinidad and Tobago
BJ	Benin	IE	Ireland	MR	Mauritania	UA	Ukraine
BR	Brazil	IL	Israel	MW	Malawi	UG	Uganda
BY	Belarus	IS	Iceland	MX	Mexico	US	United States of America
CA	Canada	IT	Italy	NE	Niger	UZ	Uzbekistan
CF	Central African Republic	JP	Japan	NL	Netherlands	VN	Viet Nam
CG	Congo	KE	Kenya	NO	Norway	YU	Yugoslavia
CH	Switzerland	KG	Kyrgyzstan	NZ	New Zealand	ZW	Zimbabwe
CI	Côte d'Ivoire	KP	Democratic People's Republic of Korea	PL	Poland		
CM	Cameroon	KR	Republic of Korea	PT	Portugal		
CN	China	KZ	Kazakstan	RO	Romania		
CU	Cuba	LC	Saint Lucia	RU	Russian Federation		
CZ	Czech Republic	LI	Liechtenstein	SD	Sudan		
DE	Germany	LK	Sri Lanka	SE	Sweden		
DK	Denmark	LR	Liberia	SG	Singapore		
EE	Estonia						

## ANTI-ISLANDING METHOD AND APPARATUS FOR DISTRIBUTED POWER GENERATION

### CROSS REFERENCE TO RELATED APPLICATIONS

5           This application claims priority under 35 U.S.C. §119(e) from a provisional patent application filed on November 24, 1997, which is incorporated herein by reference for all purposes.

### BACKGROUND OF THE INVENTION

10

#### FIELD OF THE INVENTION

          The present invention relates to anti-islanding inverters, power converters and generators connected to electric distribution utility grids.

15

#### BACKGROUND ART

          The distribution of electric power from utility companies to households and businesses utilizes a network of utility lines connected to each residence and business. This network or grid is interconnected with various generating stations and substations that supply power to the various loads and that monitor the lines for problems.

20

          An electric utility grid generally can also consist of many independent energy sources energizing the grid and providing power to the loads on the grid. This distributed power generation is becoming more common throughout the world as alternative energy sources are being used for the generation of electric power. In the United States, the deregulation of electric companies has spurred the development of independent energy sources co-existing with the electric utility. Rather than have completely independent energy sources for a particular load, these alternative energy sources can tie into the grid and are used to supplement the capacity of the electric utility.

30

The number and types of independent energy sources is growing rapidly, and can include photovoltaics, wind, hydro, fuel cells, storage systems such as battery, super-conducting, flywheel, and capacitor types, and mechanical means including conventional and variable speed  
5 diesel engines, Stirling engines, gas turbines, and micro-turbines. In many cases these energy sources can sell the utility company excess power from their source that is utilized on their grid.

Each of these independent energy sources needs some type of power converter that feeds energy to the grid to power the various loads and also needs to provide protection when the grid  
10 becomes unstable. The utility company is still the main power source and in many cases controls the independent source to some degree. Safety concerns arise when the utility source is disconnected from the independent sources, leaving the independent source directly tied to a load or disjointed grid branch. There are various passive and active means that can be used to disconnect the independent energy sources from the grid once the utility connection is lost.

15

Utility companies are concerned that power converters used for distributed electric power generation (e.g. converting power from photovoltaics, micro-turbines, or fuel cells at customer sites) may continue to generate and feed the grid, or part of a grid, even if the utility connection to the grid is disabled. This condition is known as islanding or "run-on".

20

Islanding is more generally defined as the continued operation of a grid-coupled power converter, generator or independent power source in general, in cases where the utility grid has been switched off, cut-off, or the distribution lines have been damaged, so that no electric energy is delivered from the utility side. The electric utility industry has long recognized the need for  
25 **eliminating islanding conditions on electric utility grids.**

There are many hazards associated with islanding to human life, property, and equipment. These concerns are based on a fear that power quality (i.e. voltage, frequency or harmonic content) might go outside acceptable bounds, or that a line service person working on a line  
30 thought to be dead could be harmed from a backfeed from the distributed generator, or that their

lack of control of an island may make reconnecting the system and resolving the problem difficult or impossible. A section of the grid that is disconnected from the utility may be undergoing maintenance or repair. If there is an energy source connected to the grid, utility personnel can be injured directly or indirectly from an electrical shock.

5

There is also a hazard to load equipment that could be damaged by unstable grid voltage or frequency once the utility is disconnected. The distributed generating equipment itself can be damaged due to fluctuations in the power which may be also a safety hazard to the property and persons nearby such equipment.

10

Power converters such as inverters are necessary in modern power systems as new energy generating devices such as photovoltaics, micro-turbines, fuel cells, superconducting storage, etc., all generate DC electricity which needs to be converted to AC for feeding into the power grid. DC-AC inverters generally behave as a current source that injects a controlled AC sinewave current into the utility line. The controlled AC current is generated in sync with the observed utility zero crossings, and may be exactly in phase, generating at unity power factor where upon real power only is exported. It is also possible to generate a variable amount out of phase; at other than unit power factor where upon real and reactive power is exported to the grid. An effective change in reactive power output can be made by either generating reactive power, by phase shifting the output current waveform with respect to voltage, or by creating an asymmetric distortion to the output current waveform.

15  
20

Inverters that perform this DC - AC conversion function are known as "Utility-Interactive Inverters" and are the subject of several US and international codes and standards, e.g., the National Electric Code, Article 690 - Photovoltaic Systems, UL 1741, Standard for Photovoltaic Inverters, IEEE 929 - Recommended Practice for Utility Interface of Photovoltaic (PV) Systems.

25

This invention applies not only to DC-AC inverters, but also to many other methods of conversion to AC electric power where interconnection with a power grid is involved. Examples are: static inverters, and rotary converters (DC-AC motor-generator sets) which

30

convert DC electricity to AC electricity; cycloconverters and AC to AC motor generator sets, which convert AC electricity to AC electricity; and mechanical generators which convert mechanical energy to AC electrical energy. The general term "power converter" or "converter" is used herein to indicate such devices.

5

There are many schemes that have been proposed to eliminate the islanding problem. The simplest use "passive methods" such as under and overvoltage, and under and over frequency shutdown trips of the converter equipment if the voltage or frequency exceed certain predefined limits. For example, proposed limits under IEEE P929 are +/- 0.5 Hz from nominal for frequency and approximately +10/-14% from nominal for voltage.

10

More complex schemes use "unstable frequency" or "active frequency drift", where the converter frequency control circuit is made unstable so that an island condition will tend to drift up or down in frequency, ultimately creating an under or over frequency shutdown.

15

Other schemes involve changing the real or reactive power output of the converter to create a change in converter terminal voltage, and in most cases, an under or over frequency voltage shutdown.

20

Studies have found that although these methods work in most circumstance, these currently-used schemes still have a non-detect zone, where the power source will continue to supply the grid even after the utility source has been disconnected.

25

For example, one implementation discloses using a slide-mode frequency shift method, whereby the phase of the converter's output current is made to be a function of frequency. The converter's voltage-current phase relationship increases or decreases faster than the load's, making the 60Hz equilibrium point an unstable point. The slide-mode frequency shift method has a non-detection zone when feeding high-Q utility circuits such as may occur on lightly loaded feeders with power factor correction capacitors as a resonant RLC parallel circuit formed by the load, transformer magnetizing inductances and the power factor correcting capacitors respectively.

30

Q is the "quality factor" of the resonant circuit and is defined as:

$$2 \pi F L / R$$

where F is the utility and resonant frequency, L is the circuit inductance and R is the load  
5 resistance. Islanding has been observed in lab experiments with Q values as low as 2.0. Such  
values are possible in real world utility distribution circuits.

Another implementation discloses changing reactive power based on the rate of change of  
frequency. This technique differs from these herein disclosed as the present invention uses a  
10 measure of change in frequency, rather than rate of change of frequency which is the first  
derivative of same.

Another problem that has not been fully addressed is that of multiple converters on an  
electric power grid. For example, if the unstable frequency method is used, and one manufacturer  
15 chooses a tendency to drift up in frequency, and another, a tendency to drift down in frequency,  
their efforts may balance and the island will remain, undefeated.

In order to reduce the aforementioned problems, attempts have been made to produce  
reliable anti-islanding converters. Generally, these have been effective under most conditions.  
20 However, theoretical analysis has shown that all have a considerable non-detection zone that, to  
this point, has yet to be satisfactorily addressed. Utility companies are requiring certain  
shutdown in case of loss of grid power, so any non detection zone is unacceptable. A non-  
detection zone is an area of operation with specific loads that is capable of sustained islanding.  
This is typically a range around the resonance and real and reactive power match points of an  
25 RLC load circuit.

One such invention is described in U.S. Pat. No. 5,493,485 discloses an inverter device that incorporates a detection circuit and a correction circuit that generates a corrective signal to disconnect the source from the grid upon detecting the utility source has been disconnected. The correction circuit relies on an initial reference signal.

5

U.S. Pat. No. 5,162,964 uses frequency thresholds for under frequency and over frequency conditions. The pre-determined or set thresholds will disconnect the source from the grid only when the threshold is crossed.

10

These two patents use simple over and under voltage and over and under frequency limits which have been shown to be inadequate to fully protect against islanding.

15

The inverter device of Patent 4,878,208 initially measures the AC output signal and compares present phase response to the initial measurement. If the present phase is outside a pre-determined range, the unit disconnects the source from the grid. This is a widely used and effective technique that is integral in most inverter designs as if phase-lock is lost, abnormally large currents may be drawn. Such a phase shift will occur if a non-unity power factor load and power converter are suddenly disconnected from the grid.

20

European Patent EP 810713 uses a distortion source to cause a variation in the output frequency upon detecting an islanding condition. The distortion encompasses forms of feedback loops and pulse width modulation variation. Applying distortion to the converter output waveform will not necessarily result in reliable island detection as the voltage response of the islanded load is dependent upon its impedance. A very high impedance at the distortion

25

frequency, or the additional distortion caused by a non-linear load could defeat this scheme.

30

There are several inverter products available that have reduced the islanding problem, including the Ascension Technology SunSine300 and the Advanced Energy Systems MI-250. The Advanced Energy Systems (AES) product uses an active unstable frequency shifting technique that increases frequency once the utility is disconnected, eventually causing an over-

frequency trip in most cases. The direction of frequency drift is settable in software. However, studies of the current product offering indicated that none of the units were adequate to prevent islanding within tolerable limits.

5 For example, an AES inverter when connected to a worst-case load (a test required by one major US utility) consisting of an induction motor with flywheel loading, plus compensating capacitors to bring the power factor to unity, and some parallel load resistance was found to island indefinitely.

10 What is needed is an anti-islanding scheme that can effectively and reliably eliminate islanding conditions in all likely distributed generation situations. This scheme should be flexible in usage, widely applicable, cost-effective to manufacture and capable of integration into all types of existing and future converter systems.

## 15 SUMMARY OF THE INVENTION

The present invention has been made in consideration of the aforementioned background. It is therefore an object of the present invention to provide an anti-islanding converter that eliminates islanding conditions to within acceptable parameters. This invention relates to the  
20 problem of ensuring that distributed power generation equipment (equipment that is designed to feed power into the power grid) will de-energize when the connection to the main utility power source is lost.

An object of the present invention is to provide a converter that detects a change of  
25 frequency, up or down, and causes an accelerated frequency shift in the same direction to quickly trip an under/over frequency limit.

Another object of the invention is where the frequency acceleration function is linear, geometric, exponential, or another increasing function so that disturbances on the grid are minimal  
30 except during islanding conditions, whereupon the system becomes unstable and quickly trips off.

Another object of the present invention is to provide an converter that detects a change of voltage, up or down, and causes an accelerated voltage shift in the same direction to quickly trip an under/over voltage limit.

5

Another object of the invention is where the voltage acceleration function is linear, geometric, exponential, or other increasing function so that disturbances on the grid are minimal except during islanding conditions, whereupon the system becomes unstable and quickly trips off..

10

A further object of the invention is to incorporate both frequency and voltage positive feedback methods into a single converter.

A further object of the invention is to incorporate accelerated response in either the frequency feedback loop or the voltage feedback loop or both loops.

15

An additional object of the invention is to provide a scheme for power limited sources such that the output power is reduced upon a voltage shift either up or down.

Yet another object of the invention is where the acceleration function is used on both real and reactive power.

20

Yet a further object of the invention is to provide an anti-islanding converter for multiple converters and multiple power sources.

25

A further object of the invention is provide for reactive power feedback or changing the phase of the output current.

Yet an even further object of the invention is provide for real power feedback.

30

And yet a further object of the invention is to provide a converter where the method can

be applied either continuously or intermittently.

An additional object of the invention is for a converter capable of observing its output voltage, phase or frequency, and of changing its real or reactive power, or frequency reference, to  
5 reinforce the observed change.

Other objects, features and advantages are apparent from the descriptions presented in conjunction with the accompanying drawings.

## 10 BRIEF DESCRIPTION OF THE FIGURES

FIG. 1 is a basic block diagram illustrating the interconnection of a power converter with the grid.

15 FIG. 2 is a block diagram depicting multiple power converters.

FIG. 3 is a block diagram illustrating a static inverter/converter embodiment.

FIG. 4 is a block diagram showing an embodiment with a rotary converter

20

FIG. 5 is a block diagram showing an embodiment with an engine-generator set.

## DESCRIPTION OF THE PREFERRED EMBODIMENT

25

FIG. 1 is a simplified block diagram of the present invention connected to a power grid 5. The power source 10, which can be AC electrical, DC electrical or mechanical (including hydraulic), is connected to the converter 20. The independent power source 10 can be from  
30 photovoltaic, wind, hydro, fuel cell, storage systems (such as battery, super-conducting flywheel, and capacitor types) and mechanical means including conventional and variable speed diesels,

Stirling engines, gas turbines, and micro-turbines. There can be any number of independent power sources 10 and converters 20 attached to the grid 5.

The converter 20 is connected to a utility measurement circuit 30, for measuring necessary parameters such as voltage, phase, frequency and current. The measurement circuit 30 is connected to, or the information is transmitted to, the anti-islanding control unit 70. This control unit 70 is tied to the converter 20. In most applications, a single device (the power conversion system 100) encompasses the converter 20, the utility measurement circuit 30, and the anti-islanding control unit 70.

10

The power source 10 may be in the form of DC electricity, AC electricity, rectified AC electricity, or mechanical energy such as in the form of a rotating shaft from an engine. DC electrical sources include photovoltaics, fuel cells, and the rectified output of the AC generator of a wind turbines, flywheels, variable speed diesel gensets or micro-gas turbines. AC electrical sources include wind turbines, flywheels, variable speed diesel gensets and micro-gas turbine AC generators. Mechanical sources include various types of engine including turbines, spark-ignition, diesel, and Stirling, and also hydraulic sources such as wind and water turbines, and hydraulic pump/motor combinations.

15

The converter 20, also called an inverter or generator, accepts electrical or mechanical energy from the power source 10. The power converter 20 may be a solid-state inverter, an electro-mechanical rotary converter (also called a motor-generator set), an AC power controller such as a bi-directional motor drive or cyclo-converter, a hydraulic converter, or an electro-mechanical generator set that is driven by a heat engine or mechanical energy converter.

20

The utility measurements section 30 monitors the grid for voltage, frequency, phase, and current levels. In certain applications it is unnecessary to measure all the parameters, and only the necessary measurement data is measured. The measurement data is transmitted to the anti-islanding control circuit 70 which processes the data and calculates an appropriate response. The inverter responds to the control unit 70 and alters the power source 10 that is connected to the

25

30

grid 5.

The anti-islanding control system 70 controls the behavior of the converter 20 in such a way as to ensure that islanding does not occur. The anti-islanding control system 70 may be embodied in either analog electronic circuits, digital electronic circuits (where the algorithms are implemented by sampling utility voltage and frequency values and responding to them appropriately), in software, or by mechanical means such as with some form of a governor, or an acoustical device.

The load 40 represents the residential and business consumers of electricity connected to the isolated section of the grid. The load 40 is the normal utility load at one or several sites. For example, at a residence, it may be a mix of lighting, appliances and heating. The load requirements are satisfied by the utility power source 60 and also by the power sources 10.

The utility power source 60 may be a national power grid, a single generator as in a remote village or a plurality of generators as in a power station with several gensets feeding a mini-grid. The utility power source 60 is the primary controller of the grid and generates the power source at the proper frequency and voltage levels for that grid. The standards for frequency, phase, voltage and current can vary, and the utility power source is responsible for maintaining consistent and dependable power. The grid, power converter system and load can be single phase, split phase, three phase or polyphase systems.

The utility can become disconnected from the grid 50, either intentionally in order to provide service or repair, or unintentionally such as from fallen power lines. Regardless of the reason, the independent source 10 will still be tied to the islanded part of the grid and will be supplying power to the load 40. Disconnect device 50 may be a switch, fuse or circuit breaker, or as is often the case, a broken distribution wire. The disconnection device can be anything that isolates the power converters and loads from the main source of utility generation.

An islanding situation is most likely to occur when the power output of the converter 20

closely matches the load 40. If this match occurs, disconnecting the utility source 60 can lead to sustained operation of the converter 20 because the voltage and frequency of the system can remain within normal bounds. The anti-islanding control unit 70 of the present invention prevents this hazardous occurrence.

5

The anti-islanding control system 70 can operate either continuously, at discrete time intervals, or intermittently.

While the utility source 60 is connected, the load 40 voltage is maintained by the utility. If  
10 the converter 20 changes its real power, or reactive power output, it simply changes the flow from converter to utility. However, if the utility source 50 is disconnected forming an island consisting of the converter and the load, several scenarios are possible.

If the converter happens to be providing exactly the power requirements of the load, both  
15 real and reactive, then the island will continue as the load voltage and phase will not change.

If a real power shift occurs at the load, then the load voltage will change according to Ohms law:

20

Change in load voltage = change in load current x load impedance ( $V=I * Z$ )

This change in load voltage may cause an under or over voltage trip, however voltage trips are generally set at +/- 10%, so the converter current must shift by at least this amount to cause a trip. This amount of shift will generally cause an unacceptable amount of flicker even  
25 when the utility generator is connected, and therefore is not particularly practical.

A more general embodiment of the invention is shown in FIG. 2, where multiple power sources (10, 12, 14, 16) and multiple converters (20, 22, 24, 26) are connected in parallel to the grid having multiple loads (40, 42, 44, 46). Multiple power sources (10, 12, 14, 16) feed multiple  
30 power converters (20, 22, 24, 26). "Multiple" in this case means two or more units, and could

conceivably be used with thousands or even millions of converters, all interconnected to a power grid 5.

Multiple converters that use simple anti-islanding schemes can lead to serious islanding  
5 problems. Any variations in one converter's output in an attempt to detect an island must be  
synchronized with all of the others, else the loads will respond to the average change, which will  
tend to zero as the number of converters on the sub-grid increases. If converter 20 has an active  
frequency drift in the upward direction, and converter 22 has active frequency drift in the  
downward direction, their efforts could balance and a sustained island could occur. The present  
10 invention eliminates such islands in multiple converters.

One embodiment of the present invention to create a uniform direction for frequency  
shifting is a "group movement approach". There are various reasons to choose a frequency shift,  
either up or down, and the international community has yet to achieve unanimous consensus  
15 because there are advantages and disadvantages to choosing a single standard. An upward  
frequency shift may cause less waveform distortion. A downward frequency shift for rotating  
motor loads would tend to spin down when the utility disconnects, whereas an upward shift  
follows any mechanical induction generators that may be on-line.

20 The "group movement approach" is to choose a direction based what is observed to be  
happening on the grid at any particular time. For instance, if a 0.01 Hz frequency shift is observed  
going down, then all converters shift to downward active frequency shifting. This approach can  
works well as frequency is a broadcast parameter of the power system that is available to all  
generators (i.e., converters) simultaneously, and so they can move, as a group, all in the same  
25 direction. In most situations where the utility control frequency is disconnected, the present  
invention will accelerate the shutdown process and disconnect the power source from the grid.

By voltage, we mean either the rms, peak, average or other equivalent measure of the AC  
30 voltage waveform. By phase, we mean the period of the AC waveform half-cycles, translated into

degrees based on a nominal utility frequency, and by frequency, we mean the observed zero crossing frequency of the voltage waveform. In split and polyphase systems, voltage and frequency measurements may be made individually on each phase leg.

5           This anti-islanding scheme may also use an increasing response to a repeated change in either utility voltage, phase or frequency to reinforce the observed change.

          The present invention allows for an active frequency shift that describes an increasing (linear, exponential, geometric, a combination, or other) positive feedback response to an observed  
10 utility frequency shift..

          The present invention also allows for an active power output shift that describes an increasing (linear, exponential, geometric, a combination, or other) positive feedback response to an observed utility voltage shift. For example, if the AC rms line voltage is observed to increase,  
15 then the converter control circuit performs a slight increase in real power output. If the line voltage decreases, the converter decreases the real output power.

          A variation of these embodiments uses an increasing response (linear, exponential,  
20 geometric, a combination, or other positive feedback response) to the voltage or frequency movement. For example, if a small shift in grid voltage is observed, a small corresponding output power shift is generated. If a further shift in voltage is observed, in the same direction, then the corresponding power output shift increment is increased to accelerate the process. This results in a more stable system under normal conditions as the normal power changes are quite small - they  
25 only get large when the "group" of converters all starts moving in the same direction.

          We call these repeated changes in voltage or frequency in the same direction a "trend". The method may accelerate either voltage, frequency or both feedback responses upon detecting a trend. Threshold levels may be used in determining trends to minimize unwanted output  
30 variation.

The response of the power converter to a change in grid voltage or frequency must be sufficient to cause an unstable state even before an accelerating response is initiated. This means that the minimum feedback response must create a larger change than was observed. For  
5 example, if we assume that the load matches the converter output, then a 1% change in observed grid voltage would require slightly more than a 1% change in converter output to assure instability. The same requirement applies to frequency and reactive power shifts.

Many Utility-Interactive converters are only capable of real power output - the output  
10 current is always in phase with the line voltage. Some converters, however, are capable of fully phase controlling their output current, and thus injecting reactive, as well as real, power into the distribution system. Even converters designed for only real power output can have an asymmetry or shift applied to their output waveform which has the same effect as a change in reactive power output.

15

The ability to shift reactive power creates another set of possible anti-islanding schemes. If a reactive power shift occurs on the load output, then the load voltage will again change according to Ohms law:

20 Change in load voltage = change in load current x load impedance ( $V=I * Z$ )

But now, the converter current is not in phase with the load voltage, and so in addition to a voltage shift, a phase shift in the load voltage occurs.

25 In the single converter case, a reactive power shift causes a change in phase according to:

$$\text{Change in Phase} = \text{Arctan} (\text{delta } I_q / I_r),$$

where delta  $I_q$  is the change in the reactive component of the converter output current, and  $I_r$  is  
30 the real component of the converter output current (i.e., Converter output current):

$I = I_r + j I_q$ , where  $j$  is the square root of  $(-1)$ .

The converter can be provided with a phase trip that shuts the converter down if the observed line zero-crossing phase shifts by some amount (typically 5 degrees) from the regular  
5 180 degree per half-cycle normal pattern. A 5 degree trip would require approximately a  $5/180 =$   
2.2 % shift in reactive power.

Changing the reactive power output of the converter works well for the single converter case, but again, in the multiple converter case, the effect of any one converter will average out  
10 unless there is some form of synchronization between converters. The “group movement”  
approach can again be used. If any converter capable of reactive power control or waveform  
shifting or similar means observes a change in phase or frequency, it must respond with a reactive  
power shift that will reinforce this phase or frequency change. If repeated phase or frequency  
changes are seen in the same direction, the response to the phase change should increase, either a  
15 linear, exponential or other response. Again, this minimizes the impact of the scheme under  
normal conditions, but creates a positive feedback that accelerates the response in a true island  
situation. This reinforcement can be very small - small enough so as not to cause a power quality  
problem on a normal utility line. If repeated movements in the converter output voltage, phase or  
frequency occur in the same direction (i.e., a trend occurs), the converter response is increased  
20 (via a linear, exponential, geometric, combined or other increasing function), to increase the  
effect and speed of the response.

For example, a voltage decrease of 1.0 Volts is observed on a 120V nominal grid system  
(i.e. 0.83%). The converter output is reduced by slightly more than this amount - say 1%. The  
25 result of this, in a power-matched island case would be a further voltage reduction of 1.2 Volts.  
At this point, an accelerating response function can be invoked as two changes in the same  
direction were observed. One such function could be exponential doubling. The converter’s  
response would then be twice the previous gain, times two, or 2.4%. The observed grid voltage  
change, acceleration factor and response after various time steps are shown in the following table:

Time Step	Grid Voltage Change	Response	Acceleration	Output
1	-0.83%	--1.00%	1	-1.00%
2	-1.00%	-1.20%	2	-2.40%
3	-2.40%	-2.88%	4	-11.52%
4	-11.52%	-13.82%	8	-110.59%

The third step would push the island voltage to beyond a pre-defined 10% under voltage trip (for example) and the converter would shut down. The fourth step would reduce the converter output to zero.

5

The "repeated changes in the same direction" or "trends" that invoke accelerating functions may be simply two same-direction events following each other, or two time samples that show the same trend. They may also include averaging or sampling means for instance, three or more changes in the same direction may be needed to invoke acceleration, or any other suitable function could be used to control the accelerating response. Typically, the accelerating response function would be implemented in software based on repeated time samples of the grid voltage and frequency.

In FIG. 3, one embodiment of the invention is depicted in relation to a static converter, or other converter, 100. In this embodiment, energy from an AC, rectified AC or DC electrical power source 10 is converted to utility-line synchronous AC power and fed into the power grid 5. The converter power circuit 105 may be a DC-AC inverter, a rectifier plus an inverter, or an AC power and/or frequency controller such as an AC motor drive or cyclo-converter. The converter output is often fed through an output filter 110 to limit the current injected into the power grid 5 to fundamental 50 or 60 Hz AC current.

The converter may have a disconnecting means 115 which may be in the form of a switch, solid state switch, relay or contactor. This disconnecting means is used to disconnect the power source 10 from the grid 5 under certain circumstances such as when the utility power source 60 is disconnected from the grid - i.e. an island occurs.

25

A converter typically monitors output voltage, frequency and phase for compliance with normal operation. A voltage measuring unit 120, a frequency measuring unit 125, and a phase measuring unit 130 can be implemented either in analog, digital, software or mechanical means. For a split or polyphase system, multiple measuring units may be used (one per phase leg).

5

The voltage signal from the voltage measuring unit 120 is fed to a voltage change detector 140. This device or circuit detects a change in grid line voltage between the immediate value and either a past value or a function of past values such as a moving average, or a reference value.

10

Similarly, the frequency signal from the frequency measuring unit 125 is fed to a frequency change detector 150. This device or circuit detects a change in grid line frequency between the immediate value and either a past value or a function of past values such as a moving average, or a reference value. The voltage change detector 140 and frequency change detectors 150 may be implemented in analog, digital or mechanical means but are most easily implemented in software.

15

For split or polyphase systems, multiple detectors may be used.

20

The voltage and frequency change signals are fed to gain accelerator circuits 145 and 155, that increase in their response if repeated changes in voltage or frequency, in the same direction, are measured. The acceleration function can be linear, exponential, geometric, a combination or any arbitrary function. The acceleration functions may be implemented in analog, digital or mechanical means but again are most easily implemented in software. The voltage gain accelerator 145 is further connected to a power multiplier 147.

25

The phase signal from the phase measuring unit 130 is fed to a zero crossing detector/PLL 160. The zero crossing detector 160 typically performs two functions. First, it provides the starting time reference for the converter reference generator 180. Second, it detects any large step in phase which may indicate a loss of utility power with a non-unity power factor load. The zero crossing detector 160 may be implemented as an analog or digital phase locked loop that averages zero crossing position and reduces the likelihood of noise causing false trips or erratic

30

operation. The phase angle summer 170 combines the frequency signal component from the

frequency gain accelerator 155 and the zero crossing detector/PLL 160.

The waveform of the converter power circuit 105 is generated by a reference circuit 190 which is typically a sine wave so as to match the utility waveform.

5

In normal operation, the amplitude of the converter reference 180 and hence the converter output is controlled by a feedback circuit comprising an output measuring device 200, a power level setting 220 and a power level error summer 210 which control the converter reference generator 180. In split or polyphase systems individual feedback loops can operate on each

10

In an islanding situation, the line voltage is measured by the voltage measuring unit 120. The voltage change detector 140 indicates the direction and amount of the voltage change. The gain accelerator 145 calculates the appropriate acceleration voltage value. The output of the gain

accelerator 145 feeds a multiplier circuit or means 147 which multiplies the accelerated voltage value and changes the converter reference generator 180 output and thus the converter output power in such a way as to increase the voltage change in the same direction as the measured change.

15

If the power source 10 is limited in power output and is operating at its maximum power output, then the alternate scheme of reducing power output upon either an increase or a decrease in line voltage is used until the source falls below its maximum power limit. For example, a photovoltaic power source is physically limited in power output dependent upon how much sunlight is falling on its surface. If the power converter is adjusted to extract the maximum power

available from the photovoltaic source and a grid voltage increase is observed, then increasing power output in the way otherwise proposed is not possible. This alternate scheme relies on the fact that, in a multiple converter system, most converters will be operating at the maximum power point and so most will reduce output power. In an island situation, this will reduce grid voltage which then the group-movement will pick up and the system will trip out on undervoltage.

25

30

In an islanding situation, the line frequency is measured by the frequency measuring unit 125. The frequency change detector 150 determines the directions and amount of change. The gain accelerator 155 calculates the appropriate frequency acceleration value. The output of the gain accelerator 155 feeds a summing circuit or means 170 which changes the reference generator 180 phase, and thus the converter output phase. This changes the converter reactive power output in such a way as to increase the frequency change.

The phase angle summer 170 and power multiplier 147 may be implemented in analog, digital, mechanical, or software means. The observed change in grid voltage causing a change in output power feedback loop, and the observed change in grid frequency causing a change in phase or reactive output power feedback loop, together with accelerating responses are novel features of the present invention.

FIG. 4 is another embodiment of the present invention, wherein a rotary converter substitutes for the converter. The rotary converter consists of an AC or DC motor 260 coupled to an AC generator 270 and controlled by a motor power control 280 and generator excitation control 290. Other components, such as the change detectors 140, 150 and gain accelerators 145, 155 have the same functions as described herein.

As the motor power control 280 controls converter power output and as the generator excitation control 290 controls generator voltage and hence reactive power, this embodiment works in exactly the same fashion as the converter embodiment shown in Figure 3. The two feedback loops - an observed change in voltage causing a change in power and an observed change in frequency causing a change in reactive power - together with accelerating response -- constitute a reliable non-islanding protection method.

In FIG. 5, a further embodiment of the invention substitutes an engine generator set for the rotary converter 250 in FIG. 4. The engine generator set 300 consists of the engine 310 (for example a diesel or spark-ignition engine) coupled to an AC generator 320 and controlled by an engine power controller 330 and generator excitation control 340. Other components, such as the

change detectors 140, 150 and gain accelerators 145, 155 have the same functions as described herein.

As the engine power control 330 controls engine 310 power output and as the generator  
5 excitation control 340 controls generator 320 voltage and hence reactive power, this embodiment works in exactly the same fashion as the converter embodiment shown in FIG. 3. The two feedback loops - an observed change in voltage causing a change in power and an observed change in frequency causing a change in reactive power - together with accelerating response, constitute a reliable non-islanding protection method.

10

The foregoing description of the preferred embodiment of the invention has been presented for the purpose of illustration and description. It is not intended to be exhaustive or to limit the invention to the precise form disclosed. Many modifications and variations are possible in light of the above teachings. It is intended that the scope of the invention be limited not by this  
15 detailed description, but rather by the claims appended hereto.

The invention is susceptible of many variations, all within the scope of the claims. The preferred embodiment described here and illustrated in the figures should not be construed as in any way limiting.

20

No warranty is expressed or implied as to the actual degree of safety, security or support of any particular specimen of the invention in whole or in part, due to differences in actual production designs, materials and use of the products of the invention.

25

An anti-islanding apparatus for isolating a power source from a failed electrical grid, comprising a power converter connectable between said power source and said grid; a means for measuring a voltage of said grid; a means for calculating a voltage trend in said grid voltage, using a present grid voltage measurement and a prior grid voltage measurement; a means for calculating a positive feedback power converter control signal based on said voltage trend; a control circuit  
30 connected to said power converter, wherein said control circuit applies said control signal to said

power converter; and a means of disconnecting said power source from said grid when said present grid voltage is outside pre-defined limits.

An anti-islanding apparatus, wherein said control signal comprises an acceleration  
5 function. An anti-islanding apparatus further comprising a means for measuring a frequency of  
said grid; a means for calculating a frequency trend in said grid frequency using a present grid  
frequency measurements and a prior grid frequency measurement; a means for calculating said  
positive feedback power converter control signal based on said frequency trend; and a means of  
disconnecting said power source from said grid when said present grid frequency is outside pre-  
10 defined limits.

An anti-islanding apparatus wherein said control signal comprises an acceleration function.  
An anti-islanding apparatus wherein when said power source is operating in a power limited  
condition, said control signal commands a lower power output in all cases. An anti-islanding  
15 apparatus, wherein said means for measuring operates continuously.

An anti-islanding apparatus, wherein said means for measuring operates at intermittent  
intervals. An anti-islanding apparatus for isolating a power source from a failed electrical grid,  
comprising: a power converter connectable between said power source and said grid; a means for  
20 measuring a frequency of said grid; a means for calculating a frequency trend in said grid  
frequency using a present grid frequency measurements and a prior grid frequency measurement;  
a means for calculating a positive feedback power converter control signal based on said  
frequency trend; a control circuit connected to said power converter, wherein said control circuit  
applies said control signal to said power converter; and a means of disconnecting said apparatus  
25 from said grid when said present grid frequency is outside pre-defined limits.

An anti-islanding apparatus wherein a grid phase is calculated from said grid frequency.

An anti-islanding apparatus wherein said means of measuring operates continuously.

An anti-islanding apparatus wherein said means of measuring operates at intermittent  
30 intervals. A method of preventing islanding of a power source on a distributed grid comprising

the steps, measuring grid voltage; calculating a voltage trend in said grid voltage, using a present grid voltage measurement and a prior grid voltage measurement; calculating a power converter control signal in a same direction as said voltage trend; applying said power converter control signal to said power converter; and disconnecting said power source when said present grid  
5 voltage measurement is outside acceptable limits.

An anti-islanding apparatus, further comprising measuring grid frequency; calculating a frequency trend in said grid frequency, using a present grid frequency measurement and a prior grid frequency measurement; calculating a power converter control signal in a same direction as  
10 said frequency trend, applying said control signal to said power converter; and disconnecting said power source when said present grid frequency measurement is outside acceptable limits.

A method of preventing islanding of a power source on a distributed grid, wherein said calculation of power converter control signal uses an accelerating function.

15

A method of preventing islanding of a power source on a distributed grid further comprising; measuring grid phase; calculating a phase trend in said grid phase, using a present grid phase measurement and a prior grid phase measurement; calculating a power converter control signal in a same direction as said phase trend; applying said control signal to said power  
20 converter; and disconnecting said power source when said present grid frequency measurement is outside acceptable limits. A method of preventing islanding of a power source on a distributed grid wherein said steps of measuring, calculating, processing, calculating and applying are performed continuously. A method of preventing islanding of a power source on a distributed grid, wherein said steps of measuring, calculating, processing, calculating and applying are  
25 performed at intermittent intervals. A method of preventing islanding of a power source on a distributed grid wherein said acceleration function is comprised of linear, exponential, and geometric functions. A method of preventing islanding of a power source on a distributed grid wherein said power converter control signal lowers voltage in a power limited source.

30

A method of preventing islanding of a power source on a distributed grid comprising the

steps: measuring grid frequency; calculating a frequency trend in said grid frequency, using a present grid frequency measurement and a prior grid frequency measurement; calculating a power converter control signal in a same direction as said frequency trend; applying said control signal to said power converter; and disconnecting said power source when said present grid frequency

5 measurement is outside acceptable limits.

## CLAIMS:

## I claim:

1. An anti-islanding apparatus for isolating a power source from a failed electrical grid, comprising:  
5 a power converter connectable between said power source and said grid;  
a means for measuring a voltage of said grid;  
a means for calculating a voltage trend in said grid voltage, using a present grid voltage measurement and a prior grid voltage measurement;  
10 a means for calculating a positive feedback power converter control signal based on said voltage trend;  
a control circuit connected to said power converter, wherein said control circuit applies said control signal to said power converter; and  
a means of disconnecting said power source from said grid when said present grid  
15 voltage is outside pre-defined limits.
2. An anti-islanding apparatus according to claim 1, wherein said control signal comprises an acceleration function.
- 20 3. An anti-islanding apparatus according to claim 1, further comprising a means for measuring a frequency of said grid;  
a means for calculating a frequency trend in said grid frequency using a present grid frequency measurements and a prior grid frequency measurement;  
a means for calculating said positive feedback power converter control signal  
25 based on said frequency trend; and  
a means of disconnecting said power source from said grid when said present grid frequency is outside pre-defined limits.
4. An anti-islanding apparatus according to claim 3, wherein said control signal  
30 comprises an acceleration function.

5. An anti-islanding apparatus according to claim 1, wherein when said power source is operating in a power limited condition, said control signal commands a lower power output in all cases.
- 5
6. An anti-islanding apparatus according to claim 1, wherein said means for measuring operates continuously.
7. An anti-islanding apparatus according to claim 1, wherein said means for measuring operates at intermittent intervals.
- 10
8. An anti-islanding apparatus for isolating a power source from a failed electrical grid, comprising:
- 15 a power converter connectable between said power source and said grid;
- a means for measuring a frequency of said grid;
- a means for calculating a frequency trend in said grid frequency using a present grid frequency measurements and a prior grid frequency measurement;
- a means for calculating a positive feedback power converter control signal based on said frequency trend;
- 20 a control circuit connected to said power converter, wherein said control circuit applies said control signal to said power converter; and
- a means of disconnecting said apparatus from said grid when said present grid frequency is outside pre-defined limits.
- 25 9. An anti-islanding apparatus according to claim 8, wherein a grid phase is calculated from said grid frequency.
10. An anti-islanding apparatus according to claim 8, wherein said means of measuring operates continuously.

11. An anti-islanding apparatus according to claim 8, wherein said means of measuring operates at intermittent intervals.
12. A method of preventing islanding of a power source on a distributed grid comprising the steps:  
5 measuring grid voltage;  
calculating a voltage trend in said grid voltage, using a present grid voltage measurement and a prior grid voltage measurement;  
calculating a power converter control signal in a same direction as said voltage  
10 trend;  
applying said power converter control signal to said power converter; and  
disconnecting said power source when said present grid voltage measurement is outside acceptable limits.
- 15 13. An anti-islanding apparatus according to claim 12, further comprising:  
measuring grid frequency;  
calculating a frequency trend in said grid frequency, using a present grid frequency measurement and a prior grid frequency measurement;  
calculating a power converter control signal in a same direction as said frequency  
20 trend;  
applying said control signal to said power converter; and  
disconnecting said power source when said present grid frequency measurement is outside acceptable limits.
- 25 14. A method of preventing islanding of a power source on a distributed grid according to claim 12, wherein said calculation of power converter control signal uses an accelerating function.
15. A method of preventing islanding of a power source on a distributed grid  
30 according to claim 12, further comprising;

measuring grid phase;  
calculating a phase trend in said grid phase, using a present grid phase  
measurement and a prior grid phase measurement;  
calculating a power converter control signal in a same direction as said phase  
5 trend;  
applying said control signal to said power converter; and  
disconnecting said power source when said present grid frequency measurement is  
outside acceptable limits.

- 10 16. A method of preventing islanding of a power source on a distributed grid  
according to claim 12, wherein said steps of measuring, calculating, processing,  
calculating and applying are performed continuously.
- 15 17. A method of preventing islanding of a power source on a distributed grid  
according to claim 12, wherein said steps of measuring, calculating, processing,  
calculating and applying are performed at intermittent intervals.
18. A method of preventing islanding of a power source on a distributed grid  
according to claim 14, wherein said acceleration function is comprised of linear,  
20 exponential, and geometric functions.
19. A method of preventing islanding of a power source on a distributed grid  
according to claim 12, wherein said power converter control signal lowers voltage  
in a power limited source.
- 25 20. A method of preventing islanding of a power source on a distributed grid  
comprising the steps:  
measuring grid frequency;  
calculating a frequency trend in said grid frequency, using a present grid frequency  
30 measurement and a prior grid frequency measurement;

calculating a power converter control signal in a same direction as said frequency trend;  
applying said control signal to said power converter; and  
disconnecting said power source when said present grid frequency measurement is outside acceptable limits.

5

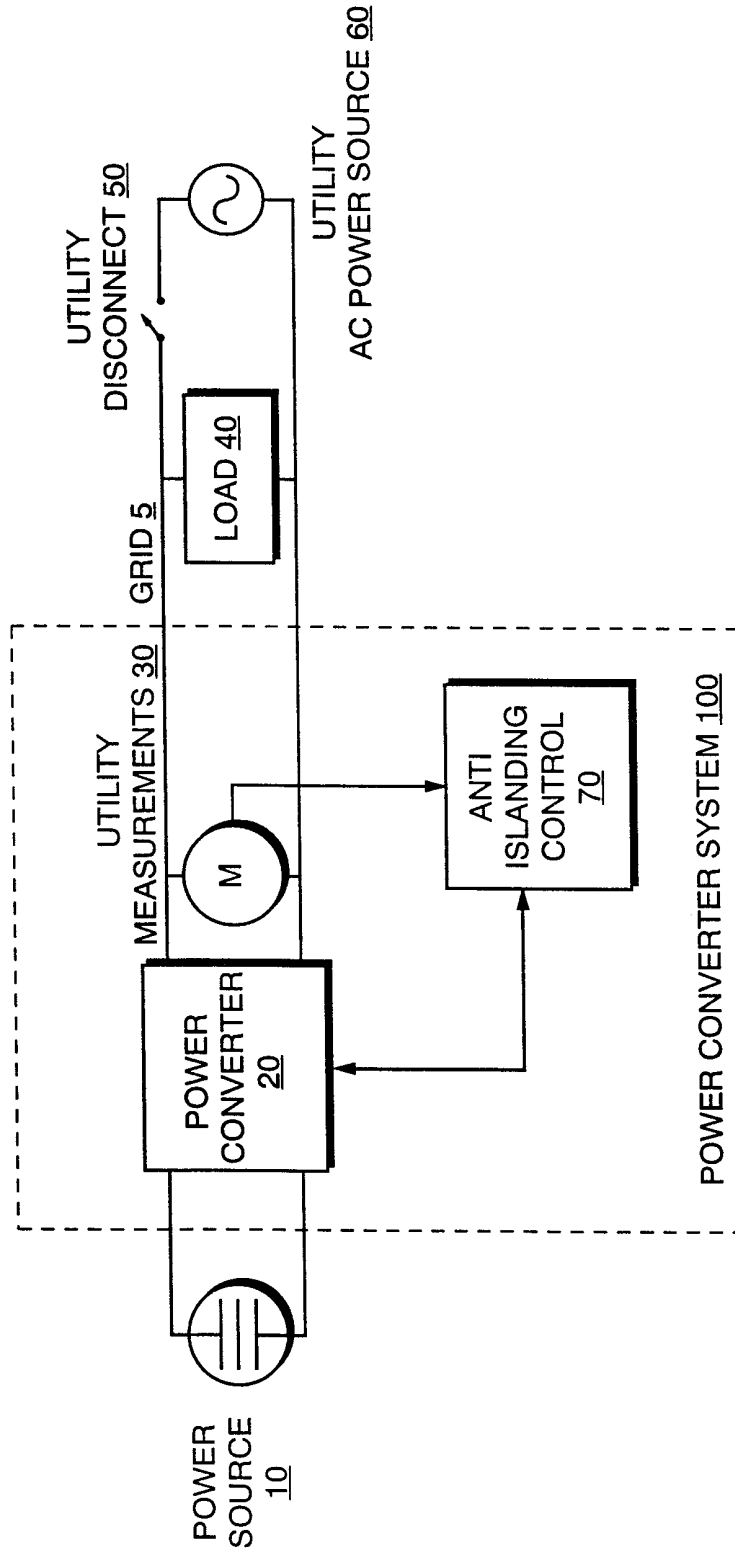


FIG. 1

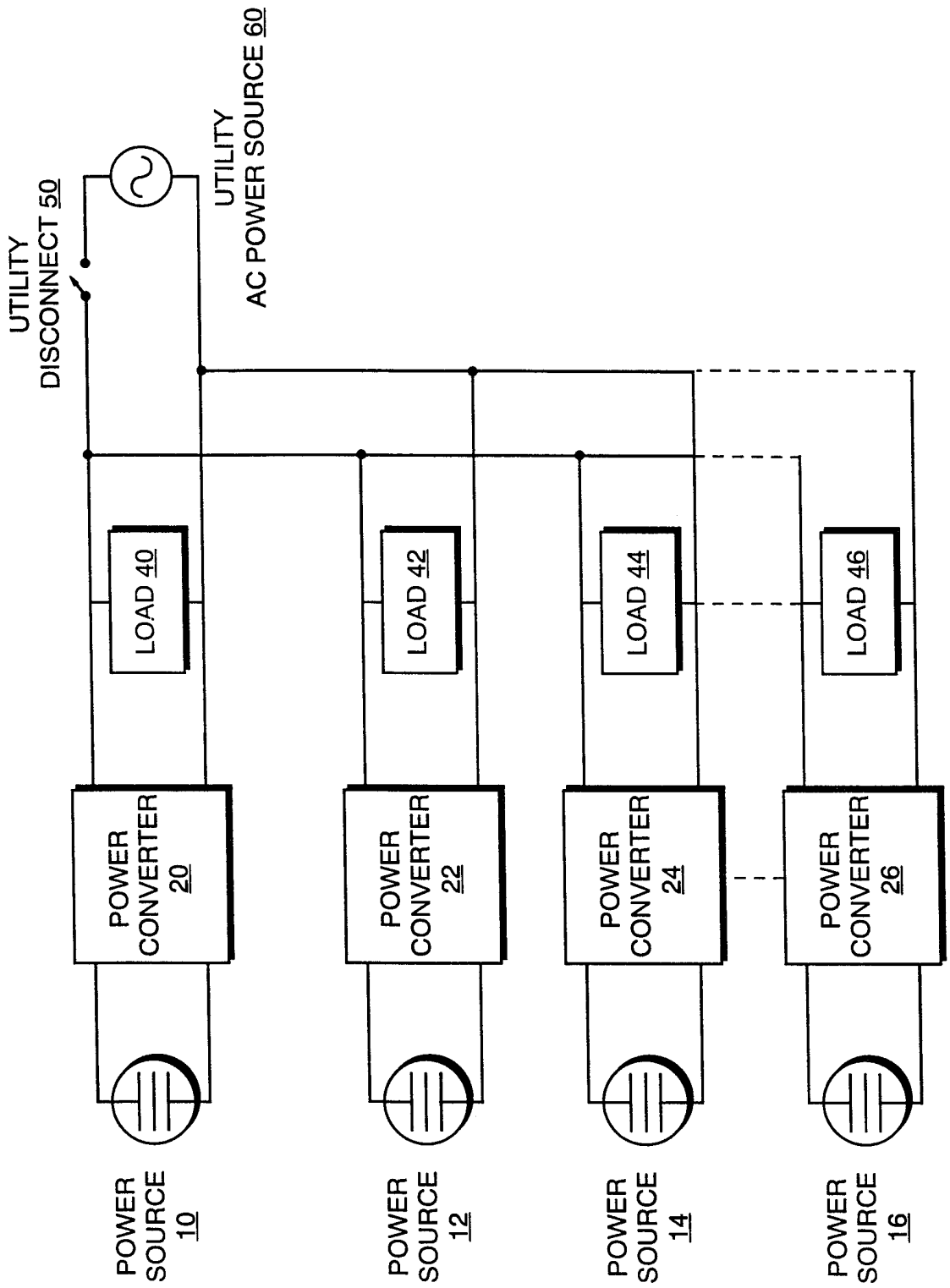


FIG. 2

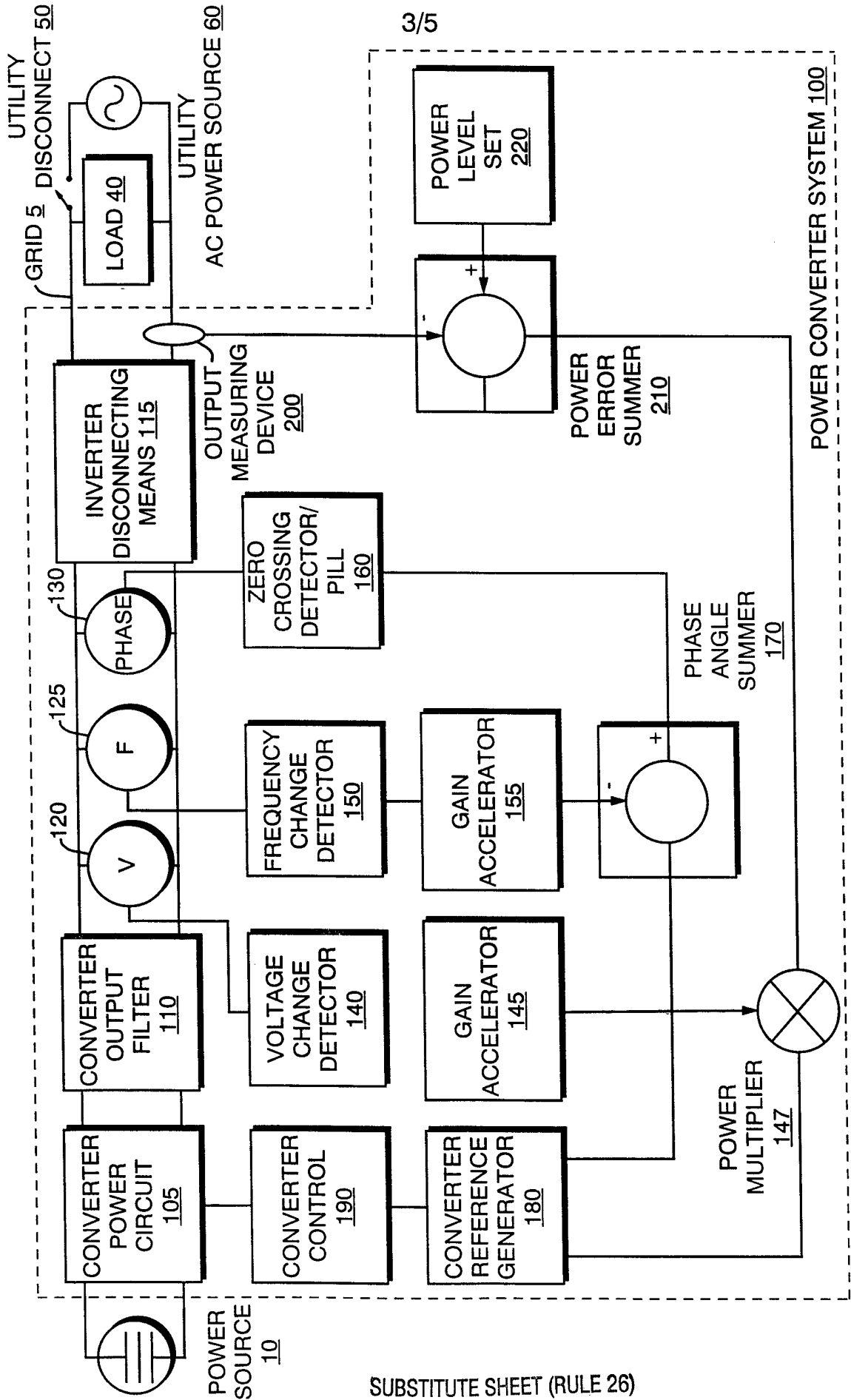


FIG. 3

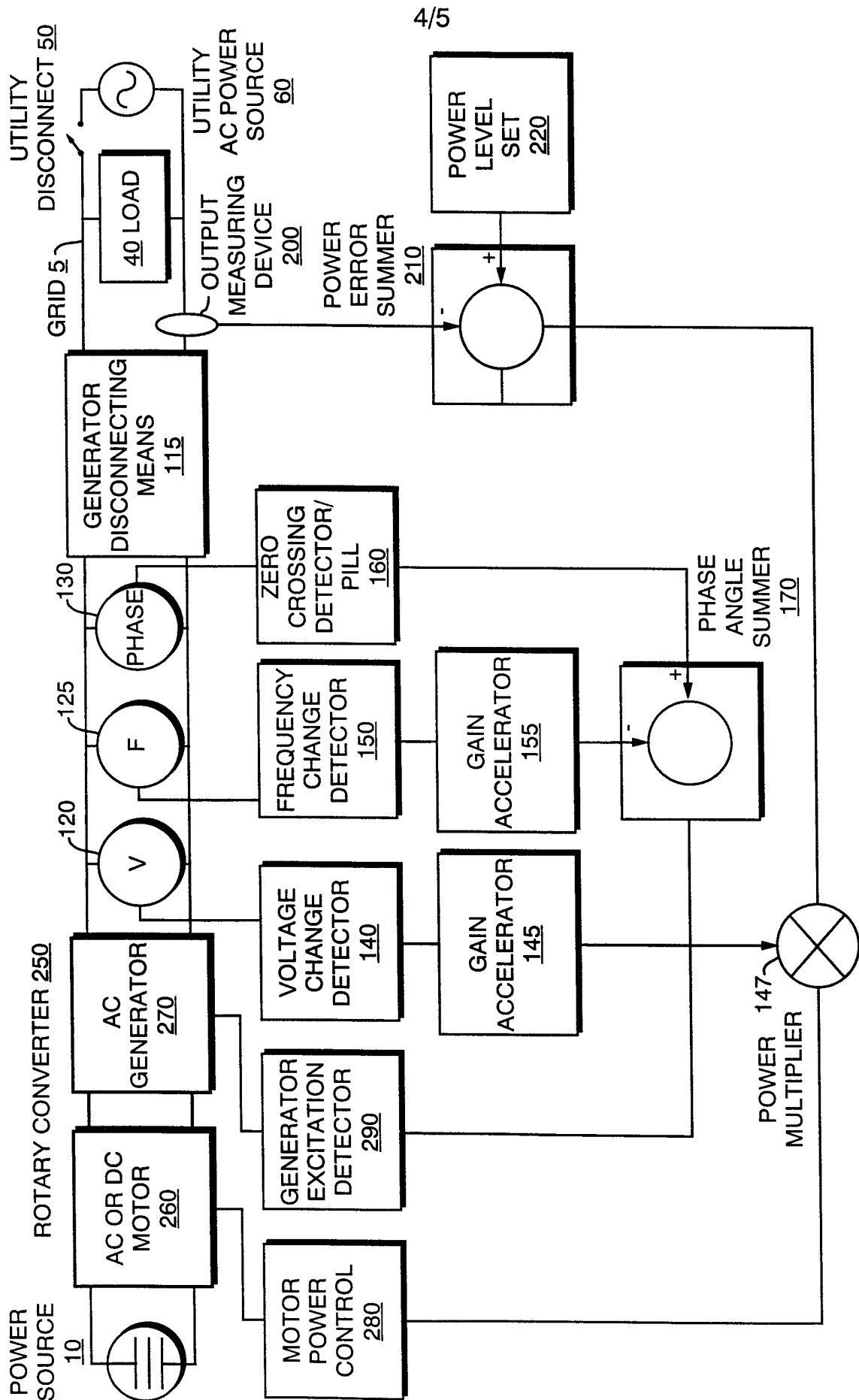
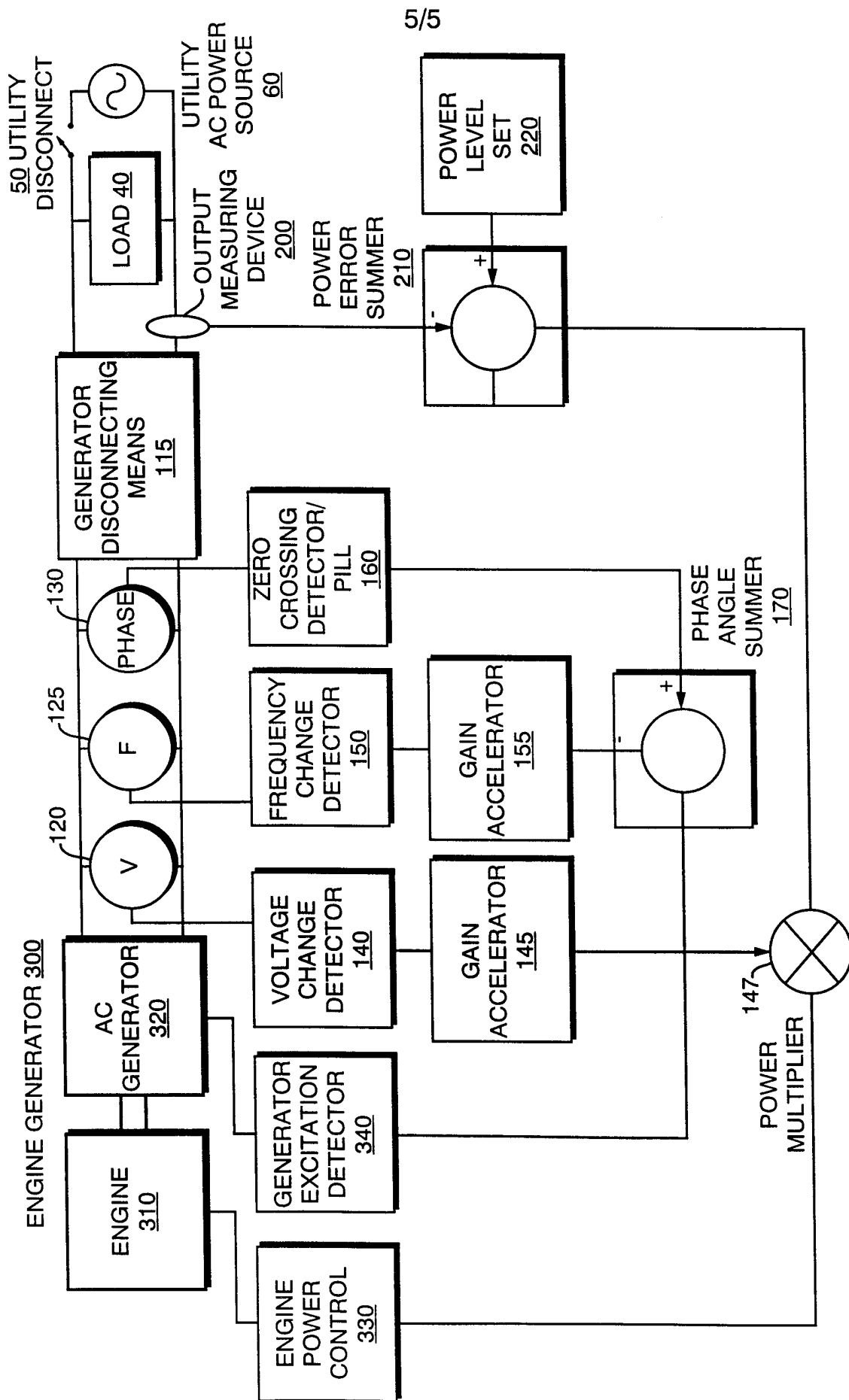


FIG. 4



5/5

FIG. 5

## INTERNATIONAL SEARCH REPORT

International application No.  
PCT/US98/25094

<b>A. CLASSIFICATION OF SUBJECT MATTER</b>		
IPC(6) : H02J 1/00; H02J 1/10; H01H 47/28; H02M 13/02, 7/00 US CL : 307/43,52,38; 361/187; 363/2,13 According to International Patent Classification (IPC) or to both national classification and IPC		
<b>B. FIELDS SEARCHED</b>		
Minimum documentation searched (classification system followed by classification symbols) U.S. : 307/43,52,38; 361/187; 363/2,13		
Documentation searched other than minimum documentation to the extent that such documents are included in the fields searched IEEE Power Electronics Library		
Electronic data base consulted during the international search (name of data base and, where practicable, search terms used) APS Search; search terms: islanding, power, grid		
<b>C. DOCUMENTS CONSIDERED TO BE RELEVANT</b>		
Category*	Citation of document, with indication, where appropriate, of the relevant passages	Relevant to claim No.
Y	US 5,686,766 A (Tamechika) 11 November 1997 (11.11.97) col. 5, line 61 - col. 9, line 33.	1-20
A	US 5,369,353 A (Erdman) 29 November 1994 (29.11.94) see entire document	1-20
A	US 5,111,377 A (Higasa et al.) 05 May 1992 (05.05.92) see entire document.	1-20
A	Ghali, F.M.A., " A Combined Technique For Elimination of Islanding Phenomenon", Conference Record of the 25th IEEE Photovoltaic Specialists Conference - 1996, 13-17 May, 1996 See entire document.	1-20
<input checked="" type="checkbox"/> Further documents are listed in the continuation of Box C. <input type="checkbox"/> See patent family annex.		
<ul style="list-style-type: none"> <li>* Special categories of cited documents:</li> <li>"A" document defining the general state of the art which is not considered to be of particular relevance</li> <li>"E" earlier document published on or after the international filing date</li> <li>"L" document which may throw doubts on priority claim(s) or which is cited to establish the publication date of another citation or other special reason (as specified)</li> <li>"O" document referring to an oral disclosure, use, exhibition or other means</li> <li>"P" document published prior to the international filing date but later than the priority date claimed</li> </ul>	<ul style="list-style-type: none"> <li>"T" later document published after the international filing date or priority date and not in conflict with the application but cited to understand the principle or theory underlying the invention</li> <li>"X" document of particular relevance, the claimed invention cannot be considered novel or cannot be considered to involve an inventive step when the document is taken alone</li> <li>"Y" document of particular relevance, the claimed invention cannot be considered to involve an inventive step when the document is combined with one or more other such documents, such combination being obvious to a person skilled in the art</li> <li>"&amp;" document member of the same patent family</li> </ul>	
Date of the actual completion of the international search 30 MARCH 1999		Date of mailing of the international search report <b>14 MAY 1999</b>
Name and mailing address of the ISA-US Commissioner of Patents and Trademarks Box PCT Washington, D.C. 20231 Facsimile No. (703) 305-3230		Authorized officer <i>Peter Zura - USPTO / M. Zura</i> Telephone No. (703) 305-0107

## INTERNATIONAL SEARCH REPORT

International application No.  
PCT/US98/25094

## C (Continuation). DOCUMENTS CONSIDERED TO BE RELEVANT

Category*	Citation of document, with indication, where appropriate, of the relevant passages	Relevant to claim No.
A	Kitamura, A. et al., "Islanding Phenomenon Elimination Study at Rokko Test Center", Conference Record of the 24th IEEE Photovoltaic Specialists Conference - 1994, Vol. 1, pages 759-762.	1-20
A	Kobayashi H. et al., "Method For Preventing Islanding Phenomenon on Utility Grid With a Number of Small Scale PV Systems", Conference Record of the 22nd IEEE Photovoltaic Specialists Conference, Vol. 1, pages 695-700	1-20