



(51) International Patent Classification:

F02C 7/14 (2006.01) F02K 3/00 (2006.01)
F02C 7/00 (2006.01)

(21) International Application Number:

PCT/US2013/059440

(22) International Filing Date:

12 September 2013 (12.09.2013)

(25) Filing Language:

English

(26) Publication Language:

English

(30) Priority Data:

61/704,044 21 September 2012 (21.09.2012) US
13/727,868 27 December 2012 (27.12.2012) US

(71) Applicant: **UNITED TECHNOLOGIES CORPORATION** [US/US]; One Financial Plaza, Hartford, Connecticut 06101 (US).

(72) Inventors: **COFFIN, James, B.**; 35 Hobson Avenue, Windsor, Connecticut 06095 (US). **MCCUNE, Michael, E.**; 43 Hunters Court, Colchester, Connecticut 06415 (US). **SHERIDAN, William, G.**; 38 Beal Drive, Southington, Connecticut 06489 (US).

(74) Agent: **COON, Benjamin, J.**; c/o CPA GLocal, P.O. Box 52050, Minneapolis, Minnesota 55402 (US).

(81) Designated States (unless otherwise indicated, for every

kind of national protection available): AE, AG, AL, AM, AO, AT, AU, AZ, BA, BB, BG, BH, BN, BR, BW, BY, BZ, CA, CH, CL, CN, CO, CR, CU, CZ, DE, DK, DM, DO, DZ, EC, EE, EG, ES, FI, GB, GD, GE, GH, GM, GT, HN, HR, HU, ID, IL, IN, IS, JP, KE, KG, KN, KP, KR, KZ, LA, LC, LK, LR, LS, LT, LU, LY, MA, MD, ME, MG, MK, MN, MW, MX, MY, MZ, NA, NG, NI, NO, NZ, OM, PA, PE, PG, PH, PL, PT, QA, RO, RS, RU, RW, SA, SC, SD, SE, SG, SK, SL, SM, ST, SV, SY, TH, TJ, TM, TN, TR, TT, TZ, UA, UG, US, UZ, VC, VN, ZA, ZM, ZW.

(84) Designated States (unless otherwise indicated, for every

kind of regional protection available): ARIPO (BW, GH, GM, KE, LR, LS, MW, MZ, NA, RW, SD, SL, SZ, TZ, UG, ZM, ZW), Eurasian (AM, AZ, BY, KG, KZ, RU, TJ, TM), European (AL, AT, BE, BG, CH, CY, CZ, DE, DK, EE, ES, FI, FR, GB, GR, HR, HU, IE, IS, IT, LT, LU, LV, MC, MK, MT, NL, NO, PL, PT, RO, RS, SE, SI, SK, SM, TR), OAPI (BF, BJ, CF, CG, CI, CM, GA, GN, GQ, GW, KM, ML, MR, NE, SN, TD, TG).

Published:

— with international search report (Art. 21(3))

(54) Title: GEAR CARRIER FLEX MOUNT LUBRICATION

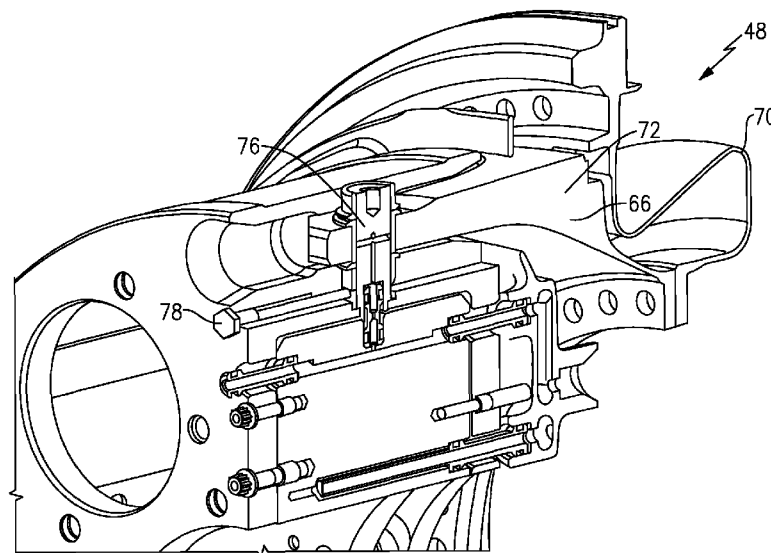


FIG.3

(57) Abstract: An example epicyclic gear train assembly includes a flexure pin received by a carrier. The flexure pin and the carrier respectively include first and second pin apertures configured to receive a retainer pin. The flexure pin further includes a lubricant conduit separate from the first pin aperture.



GEAR CARRIER FLEX MOUNT LUBRICATION

BACKGROUND

[0001] Turbomachines, such as gas turbine engines, typically include a fan section, a compression section, a combustion section, and a turbine section. Turbomachines may employ a geared architecture connecting portions of the compression section to the fan section.

[0002] The geared architecture may be secured to a carrier, which is coupled to a torque frame by a pin supported by bushings. The torque frame is secured to other portions of the engine. To limit skewed loading of the carrier and resulting gear misalignment, the torque frame supports the carrier in a way that limits bending loads on the carrier.

[0003] Relative motion between the torque frame pin, the torque frame, and the carrier may wear the various components. Limiting wear between these components may be difficult due to the locations of the interfaces between these components.

SUMMARY

[0004] An epicyclic gear train assembly according to an exemplary aspect of the present disclosure includes, among other things, a flexure pin received by a carrier. The flexure pin and the carrier respectively include first and second pin apertures configured to receive a retainer pin. The flexure pin further includes a lubricant conduit separate from the first pin aperture.

[0005] In a further non-limiting embodiment of the foregoing epicyclic gear train assembly, the lubricant conduit may communicate with a bearing lubricant supply that is outside the carrier.

[0006] In a further non-limiting embodiment of either of the foregoing epicyclic gear train assemblies, the lubricant conduit is a first lubricant conduit, and the carrier includes a second lubricant conduit that may communicate lubricant between the bearing lubricant supply and the first lubricant conduit.

[0007] In a further non-limiting embodiment of any of the foregoing epicyclic gear assemblies, the assembly may include a metering device that meters flow of lubricant from the second lubricant conduit to the first lubricant conduit.

[0008] In a further non-limiting embodiment of any of the foregoing epicyclic gear train assemblies, the metering device may be partially received within the flexure pin.

[0009] In a further non-limiting embodiment of any of the foregoing epicyclic gear train assemblies, the lubricant conduit may deliver lubricant to an interface between the flexure pin and a bushing.

[0010] In a further non-limiting embodiment of any of the foregoing epicyclic gear train assemblies, the assembly may include a torque frame that receives the bushing.

[0011] In a further non-limiting embodiment of any of the foregoing epicyclic gear train assemblies, the retainer pin may be a bolt.

[0012] In a further non-limiting embodiment of any of the foregoing epicyclic gear train assemblies, the lubricant conduit may comprise a first portion extending transverse to an axis of rotation of a gear, and a second portion extending parallel to the axis of rotation of the gear.

[0013] In a further non-limiting embodiment of any of the foregoing epicyclic gear train assemblies, the assembly may include a clocking feature on an

outer surface of the flexure pin, the clocking feature indicating the position of the first pin aperture.

[0014] A fan drive gear system according to an exemplary aspect of the present disclosure includes, among other things, a carrier receiving a carrier bushing. A torque frame receives a torque frame bushing. A flexure pin is received by the carrier bushing and the torque frame bushing. The carrier and the flexure pin each provide a portion of a lubricant conduit configured to deliver lubricant to an interface between the flexure pin and at least one of the carrier bushing and the torque frame bushing.

[0015] In a further non-limiting embodiment of the foregoing fan drive gear system, the carrier flexure pin and the carrier respectively may include first and second pin apertures configured to receive a retainer pin.

[0016] In a further non-limiting embodiment of either of the foregoing fan drive gear systems, the lubricant conduit may communicate with a bearing lubricant supply that is outside the carrier.

[0017] In a further non-limiting embodiment of any of the foregoing fan drive gear systems, the carrier may support multiple circumferentially spaced intermediate gears and the torque frame may have multiple circumferentially spaced projections secured to the carrier.

[0018] A method of lubricating a turbomachine interface according to an exemplary aspect of the present disclosure includes, among other things, securing a carrier relative to a torque frame using a flexure pin, lubricating an interface of the flexure pin using a lubricant that has moved through a lubricant passage in the carrier. The torque frame includes a lubricant passage.

[0019] In a further non-limiting embodiment of the foregoing method of lubrication, the lubricant may move to the lubricant passage in the carrier from a lubricant supply that is outside the carrier.

[0020] In a further non-limiting embodiment of any of the foregoing methods of lubrication, the method may include limiting movement of the pin using a retainer pin extending from the carrier through a hole in the flexure pin.

[0021] In a further non-limiting embodiment of any of the foregoing methods of lubrication, the hole and the lubricant passage may be nonintersecting.

DESCRIPTION OF THE FIGURES

[0022] The various features and advantages of the disclosed examples will become apparent to those skilled in the art from the detailed description. The figures that accompany the detailed description can be briefly described as follows:

[0023] Figure 1 shows a cross section view of an example turbomachine.

[0024] Figure 2 shows a side view of a geared architecture and a carrier of the turbomachine of Figure 1.

[0025] Figure 3 shows a perspective view of the geared architecture and carrier of Figure 2.

[0026] Figure 4 shows a schematic view of the Figure 3 carrier.

[0027] Figure 5 shows a close-up view of area 5 in Figure 2.

[0028] Figure 6 shows a perspective view of a flexure pin from the carrier of Figure 2.

[0029] Figure 7 shows a side view of the Figure 6 flexure pin.

DETAILED DESCRIPTION

[0030] Figure 1 schematically illustrates an example turbomachine, which is a gas turbine engine 20 in this example. The gas turbine engine 20 is a two-spool turbofan gas turbine engine that generally includes a fan section 22, a compression section 24, a combustion section 26, and a turbine section 28.

[0031] Although depicted as a two-spool turbofan gas turbine engine in the disclosed non-limiting embodiment, it should be understood that the concepts described herein are not limited to use with turbofans. That is, the teachings may be applied to other types of turbomachines and turbine engines including three-spool architectures. Further, the concepts described herein could be used in environments other than a turbomachine environment and in applications other than aerospace applications.

[0032] In the example engine 20, airflow moves from the fan section 22 to a bypass flowpath B and a core flowpath C. Airflow from the bypass flowpath B generates most of the forward thrust produced by the engine 20. The compression section 24 drives air along the core flowpath C. Compressed air from the compression section 24 communicates through the combustion section 26. The products of combustion expand through the turbine section 28.

[0033] The example engine 20 generally includes a low-speed spool 30 and a high-speed spool 32 mounted for rotation about an engine central axis A. The low-speed spool 30 and the high-speed spool 32 are rotatably supported by several bearing systems 38. It should be understood that various bearing systems 38 at various locations may alternatively, or additionally, be provided.

[0034] The low-speed spool 30 generally includes a shaft 40 that interconnects a fan 42, a low-pressure compressor 44, and a low-pressure turbine 46. The shaft 40 is connected to the fan 42 through a geared architecture 48 to drive the fan 42 at a lower speed than the low-speed spool 30.

[0035] The high-speed spool 32 includes a shaft 50 that interconnects a high-pressure compressor 52 and high-pressure turbine 54.

[0036] The shaft 40 and the shaft 50 are concentric and rotate via bearing systems 38 about the engine central longitudinal axis A, which is collinear with the longitudinal axes of the shaft 40 and the shaft 50.

[0037] The combustion section 26 includes a circumferentially distributed array of combustors 56 generally arranged axially between the high-pressure compressor 52 and the high-pressure turbine 54.

[0038] In some non-limiting examples, the engine 20 is a high-bypass geared aircraft engine. In a further example, the engine 20 bypass ratio is greater than about six (6 to 1).

[0039] The geared architecture 48 of the example engine 20 includes an epicyclic gear train, such as a planetary gear system, a star gear system, or other gear system. The example epicyclic gear train has a gear reduction ratio of greater than about 2.3 (2.3 to 1).

[0040] The low-pressure turbine 46 pressure ratio is pressure measured prior to inlet of low-pressure turbine 46 as related to the pressure at the outlet of the low-pressure turbine 46 prior to an exhaust nozzle of the engine 20. In one non-limiting embodiment, the bypass ratio of the engine 20 is greater than about ten (10 to 1), the fan diameter is significantly larger than that of the low-pressure compressor 44, and the low-pressure turbine 46 has a pressure ratio that is greater than about 5 (5 to 1). The geared architecture 48 of this

embodiment is an epicyclic gear train with a gear reduction ratio of greater than about 2.3 (2.3 to 1). It should be understood, however, that the above parameters are only exemplary of one embodiment of a geared architecture engine and that the present disclosure is applicable to other gas turbine engines including direct drive turbofans.

[0041] In this embodiment of the example engine 20, a significant amount of thrust is provided by the bypass flow due to the high bypass ratio. The fan section 22 of the engine 20 is designed for a particular flight condition -- typically cruise at about 0.8 Mach and about 35,000 feet. This flight condition, with the engine 20 at its best fuel consumption, is also known as "Bucket Cruise" Thrust Specific Fuel Consumption (TSFC). TSFC is an industry standard parameter of fuel consumption per unit of thrust.

[0042] Fan Pressure Ratio is the pressure ratio across a blade of the fan section 22 prior to a Fan Exit Guide Vane system. The low Fan Pressure Ratio according to one non-limiting embodiment of the example engine 20 is less than 1.45 (1.45 to 1).

[0043] "Low Corrected Fan Tip Speed" is the actual fan tip speed in ft/sec divided by an industry standard temperature correction of $[(T_{amb} \text{ } ^\circ\text{R}) / (518.7 \text{ } ^\circ\text{R})]^{0.5}$. The Temperature represents the ambient temperature in degrees Rankine. The Low Corrected Fan Tip Speed according to one non-limiting embodiment of the example engine 20 is less than about 1150 fps (351 m/s).

[0044] One example geared architecture 48, a star configuration, is illustrated in Figures 2 to 4. The low-speed spool 30 rotationally drives an input sun gear 60 about an axis A. Intermediate star gears 62 (shown in Figure 4) are arranged circumferentially about and intermesh with the input sun gear 60. A ring gear 64 surrounds and intermeshes with the intermediate gears 62. In the example star configuration shown, the ring gear 64 rotationally drives the fan

42 (Figure 1) via the fan shaft. In another, planetary example geared architecture, the intermediate gears 62 (via a torque frame 66) drive a fan shaft to drive the fan 42.

[0045] The example geared architecture 48 is the type in which the intermediate gears 62 are rotationally fixed relative to the rotational axis of the input gear 60. That is, the star gears are permitted to rotate about their respective rotational axes but do not rotate about the rotational axis of the input gear 60.

[0046] A relatively static structure 68 of the engine 20 holds a flex support 70. The torque frame 66 is affixed to the flex support 70 to prevent rotation of the torque frame 66 about the rotational axis A of the input gear 60. In a planetary configuration, the torque frame 66 would rotate about the rotational axis A and the ring gear 64 would be coupled to the fixed structure.

[0047] The torque frame 66 includes multiple projections 72 (or arms). In one example, the torque frame 66 includes five equally circumferentially spaced projections 72 secured to a carrier 74 circumferentially between the intermediate gears 62. The torque frame 66 is fixed to the carrier 74 by means of a flexure pin 76. The flexure pin 76 transmits reaction torque from the carrier 74 to the static structure 68 without transmitting significant bending loads into the carrier 74. The example carrier 74 supports at least the intermediate gears 62.

[0048] Referring to 5-7 with continuing reference to Figures 2-4, each flexure pin 76 extends longitudinally along a respective axis P extending radially relative to the axis A. The example flexure pin 76 provides an aperture or hole 80 extending perpendicular to the axis P. In this example, portions of the hole 80 may be completed by the carrier 74. In another example, the entire circumference of the hold 80 is provided by the flexure pin 76. The hole 80 in

the flexure pin 76 is aligned with a corresponding aperture or hole 82 in the carrier 74. Hole 82 in the carrier 74 has an end that is accessible from outside the carrier 74. That is, hole 82 completely extends axially through a portion of the carrier 74. As will be explained, the hole 80 is offset from the axis P.

[0049] The flexure pin 76 is moveable to a position where the holes 80 and 82 are coaxial and are axially aligned to form a passage to accept a retainer pin 78, which, in this example, is inserted into the axially aligned holes 80 and 82 from one side of the carrier 74. The retainer pin 78 is perpendicular to the flexure pin 76 when the retainer pin 78 is installed within the holes 80 and 82.

[0050] The example retainer pin 78 prevents radial and rotational movement of the flexure pin 76, relative to the carrier 74. In this example, the flexure pin 76 is made of nitralloy and is hardened (nitrided) to achieve wear resistance.

[0051] The example retainer pin 78 is be made of a 418 stainless steel, such as Greek Ascology® or another hard metallic alloy, and has a smooth cylindrical outer surface. The retainer pin 78 is axially slidable with respect to the aligned holes 80 and 82. Additionally, the example retainer pin 78 may be, threaded, partially threaded, or unthreaded. Unthreaded and partially threaded retainer pin embodiments may be inserted, as a bolt, into the aligned holes 80 and 82 without rotation or substantially without rotation.

[0052] When the holes 80 and 82 are aligned, the retainer pin 78 can then be inserted into the hole 82. An axial load can then be applied to the retainer pin 78 using a press tool, for example, to push the retainer pin 78 into and through the holes 80 and 82 until the retainer pin 78 bottoms out on the carrier 74. A fastener can then be installed to prevent the retainer pin 78 from backing out during engine operation. The retainer pin 78 may also include locking threads to prevent such backing out.

[0053] Apertures in the projections 72 of the torque frame 66 each receive a torque frame bushing 84. Apertures in the carrier 74 receives carrier bushings 88a and 88b. The flexure pin 76 is held by the bushings 84, 88a, and 88b.

[0054] The torque frame bushing 84 is press fit into the projection 72 to limit relative rotation between the torque frame bushing 84 and the projection 72. The carrier bushings 88a and 88b are similarly press fit into the carrier 74. The press fit limits relative motion between the bushings 88a and 88b and the carrier 74. The torque frame bushing 84 and the carrier bushings 88A and 88B have flanges 91 that facilitate installation and limit radial movement relative to the carrier 74 and the projection 72. The example bushings are made of AMS 4590, which is chemically compatible with the projection 72 and the carrier 74. The bushings may be sacrificial in some examples.

[0055] The interface or "fit" between the carrier bushings 88a and 88b, and the flexure pin 76 is relatively loose --- the interface between the torque frame bushing 84 and the flexure pin 76 is even looser. Structuring the interfaces in this way permits the flexure pin 76 to move about the axis P relative to the torque frame bushing 84 as the surrounding environment flexes and adjusts during operation. The structure also permits lubricant to flow between the flexure pin 76 and the torque frame bushing 84. The flexure pin 76 may move about the axis P relative to the carrier bushings 88a and 88b should the flexure pin 76 become stuck to the torque frame bushing 84.

[0056] In this example, a lubricant conduit 90 delivers lubricant to an interface between the torque frame bushing 84 and the flexure pin 76. The delivered lubricant facilitates relative movement between the flexure pin 76 and the torque frame bushing 84. The lubricant conduit 90 includes a first portion 92a and a second portion 92b. The first portion 92a extends through the flexure

pin 76 along the axis P. The second portion 92b extends radially (relative to the axis P) from the first portion 92a.

[0057] Notably, the hole 80 is radially offset from the axis P such that the hole 80 and the lubricant conduit 90 do not intersect. This ensures that lubricant stays within the lubricant conduit 90 rather than escaping through the hole 80.

[0058] A metering device, such as a jumper tube 94, communicates lubricant to the flexure pin 76. The jumper tube 94 provides a portion of the lubricant conduit 90. The jumper tube 94 includes a portion received within the flexure pin 76. Another portion of the jumper tube 94 extends into a spray bar 95 of the geared architecture 48. The jumper tube 94 includes a narrowed portion 96 that depressurizes or meters flow of lubricant into the flexure pin 76. Metering the flow limits loss of oil in the event of a seal failure or excessive wear in the torque frame bushing 84.

[0059] The jumper tube 94 receives lubricant from a portion of the lubricant conduit 90 that extends in a direction parallel to the engine axis A through the spray bar 95 from the jumper tube 94 to a jumper tube 98. The jumper tube 98 provides the axially outermost portions of the lubricant conduit 90 in this example.

[0060] The jumper tube 98 receives lubricant from a lubricant supply 100 that is axially outside the carrier 74. The supply 100 may additionally provide lubricant to the spray bar 95. The supply 100 is clean lubricant relative to the lubricant within geared architecture 48 because the lubricant from the supply 100 has not moved through the gears of the geared architecture 48 immediately prior to being delivered to the flexure pin 76. Moving lubricant to the interface between the torque frame bushing 84 and the flexure pin 76 from the supply 100 rather than from the geared architecture 48 reduces the likelihood for debris and contaminants being introduced to the interface.

[0061] After the lubricant moves to the interface between the torque frame bushing 84 and the flexure pin 76, the lubricant moves in the direction of the axis P and is collected in a sump (not shown). The lubricant may then be cleaned and recirculated into the lubricant supply 100.

[0062] The example flexure pin 76 includes a clocking feature 106 that is used to align the flexure pin 76 during assembly such that the hole 80 lines up with the hole 82. The clocking feature 106 reveals the orientation of the flexure pin 76 relative to the axis P so that an operator can more easily align the hole 80 with the hole 82. The clocking feature 106 may also enable the operator to align the second portion 92b of the lubricant conduit 90 parallel to the engine axis A.

[0063] The flexure pin 76 also includes a removal feature 108. A tool engages the removal feature 108 to loosen the flexure pin 76 from the bushings 84, 88a, and 88b so that the flexure pin 76 can be removed. The removal feature 108 is threaded in some examples.

[0064] Features of the disclosed examples include a cost effective, reliable method of lubricating and retaining a carrier of a geared architecture. The lubrication orifices delivering lubricant to the bushings are parallel to a centerline of the engine. Further, relative motion between the torque frame pin, the torque frame, and the carrier may occur without wearing the various components.

[0065] Although an example embodiment has been disclosed, a worker of ordinary skill in this art would recognize that certain modifications would come within the scope of the claims. For that reason, the following claims should be studied to determine their true scope and content.

CLAIMS

We claim:

1. An epicyclic gear train assembly comprising:
a flexure pin received by a carrier, the flexure pin and the carrier respectively including at least portions of first and second pin apertures configured to receive a retainer pin, wherein the flexure pin further includes a lubricant conduit separate from the first pin aperture.
2. The epicyclic gear train assembly of claim 1, wherein the lubricant conduit communicates with a bearing lubricant supply that is outside the carrier.
3. The epicyclic gear train assembly of claim 2, wherein the lubricant conduit is a first lubricant conduit, and the carrier includes a second lubricant conduit that communicates lubricant between the bearing lubricant supply and the first lubricant conduit.
4. The epicyclic gear train assembly of claim 3, including a metering device that meters flow of lubricant from the second lubricant conduit to the first lubricant conduit.
5. The epicyclic gear train assembly of claim 4, wherein the metering device is partially received within the flexure pin.
6. The epicyclic gear train assembly of claim 1, wherein the lubricant conduit delivers lubricant to an interface between the flexure pin and a bushing.

7. The epicyclic gear train assembly of claim 6, including a torque frame that receives the bushing.
8. The epicyclic gear train assembly of claim 1, wherein the retainer pin is a bolt.
9. The epicyclic gear train assembly of claim 1, wherein the lubricant conduit comprises a first portion extending transverse to an axis of rotation of a gear, and a second portion extending parallel to the axis of rotation of the gear.
10. The epicyclic gear train assembly of claim 1, including a clocking feature on an outer surface of the flexure pin, the clocking feature indicating the position of the first pin aperture.

11. A fan drive gear system comprising:
 - a carrier receiving a carrier bushing;
 - a torque frame receiving a torque frame bushing;
 - a flexure pin received by the carrier bushing and the torque frame bushing, wherein the carrier and the flexure pin each provide a portion of a lubricant conduit configured to deliver lubricant to an interface between the flexure pin and at least one of the carrier bushing and the torque frame bushing.

12. The fan drive gear system of claim 11, wherein the carrier flexure pin and the carrier respectively include first and second pin apertures configured to receive a retainer pin.

13. The fan drive gear system of claim 11, wherein the lubricant conduit communicates with a bearing lubricant supply that is outside the carrier.

14. The fan drive gear system of claim 11, wherein the carrier supports multiple circumferentially spaced intermediate gears and the torque frame has multiple circumferentially spaced projections secured to the carrier.

15. A method of lubricating a turbomachine interface, comprising:
 - securing a carrier relative to a torque frame using a flexure pin; and
 - lubricating an interface of the flexure pin using lubricant that has moved through a lubricant passage in the carrier and a lubricant passage in the torque frame.
16. The method of claim 15, wherein the lubricant moves to the lubricant passage in the carrier from a lubricant supply that is outside the carrier.
17. The method of claim 15, including limiting movement of the pin using a retainer pin extending from the carrier through a hole in the flexure pin.
18. The method of claim 17, wherein the hole and the lubricant passage are nonintersecting.

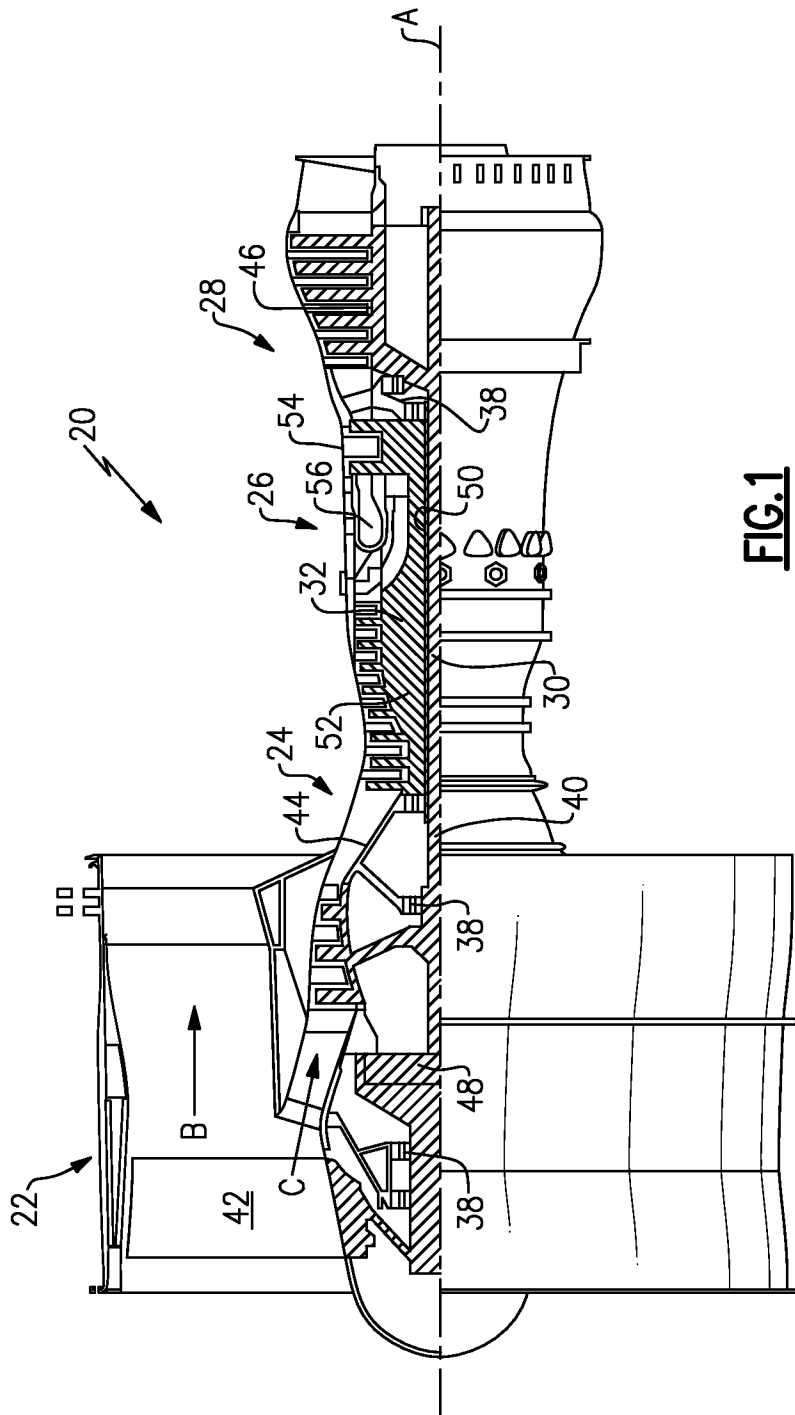
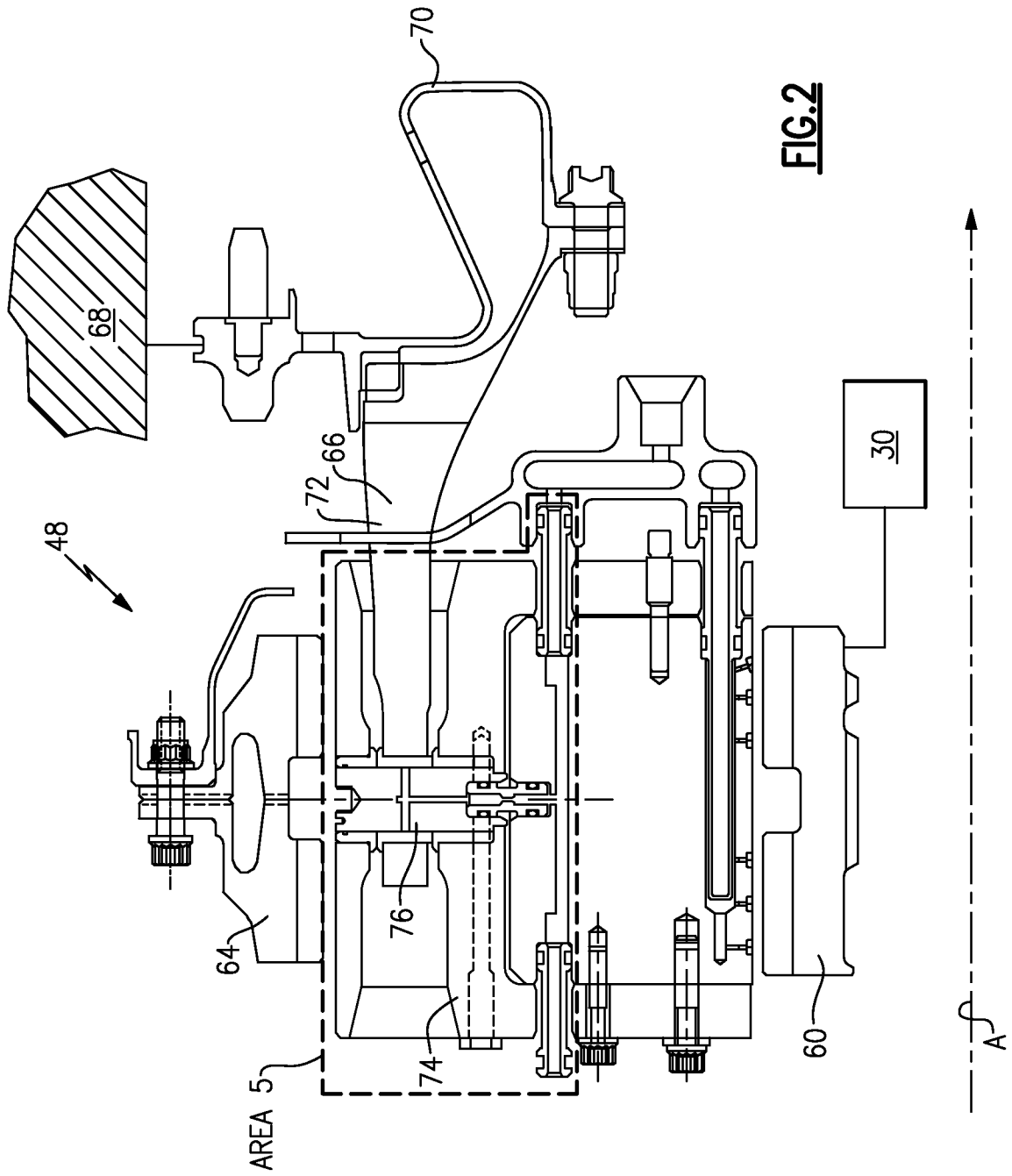


FIG.1



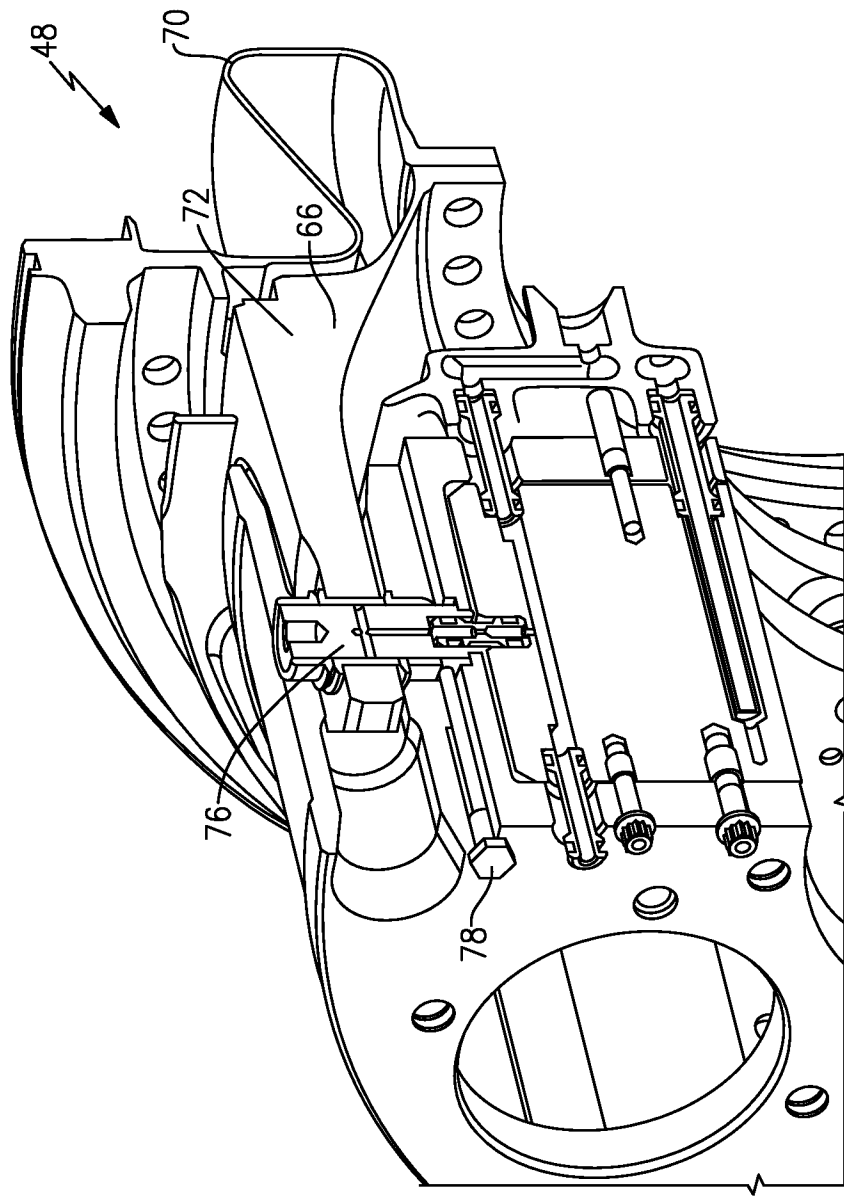


FIG. 3

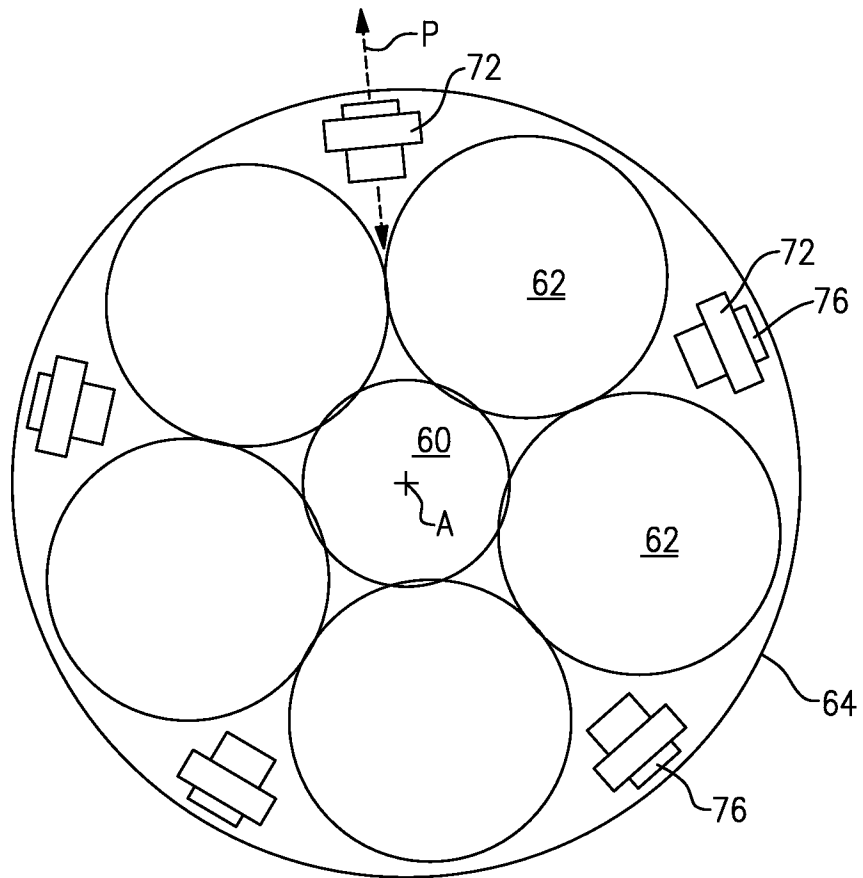


FIG. 4

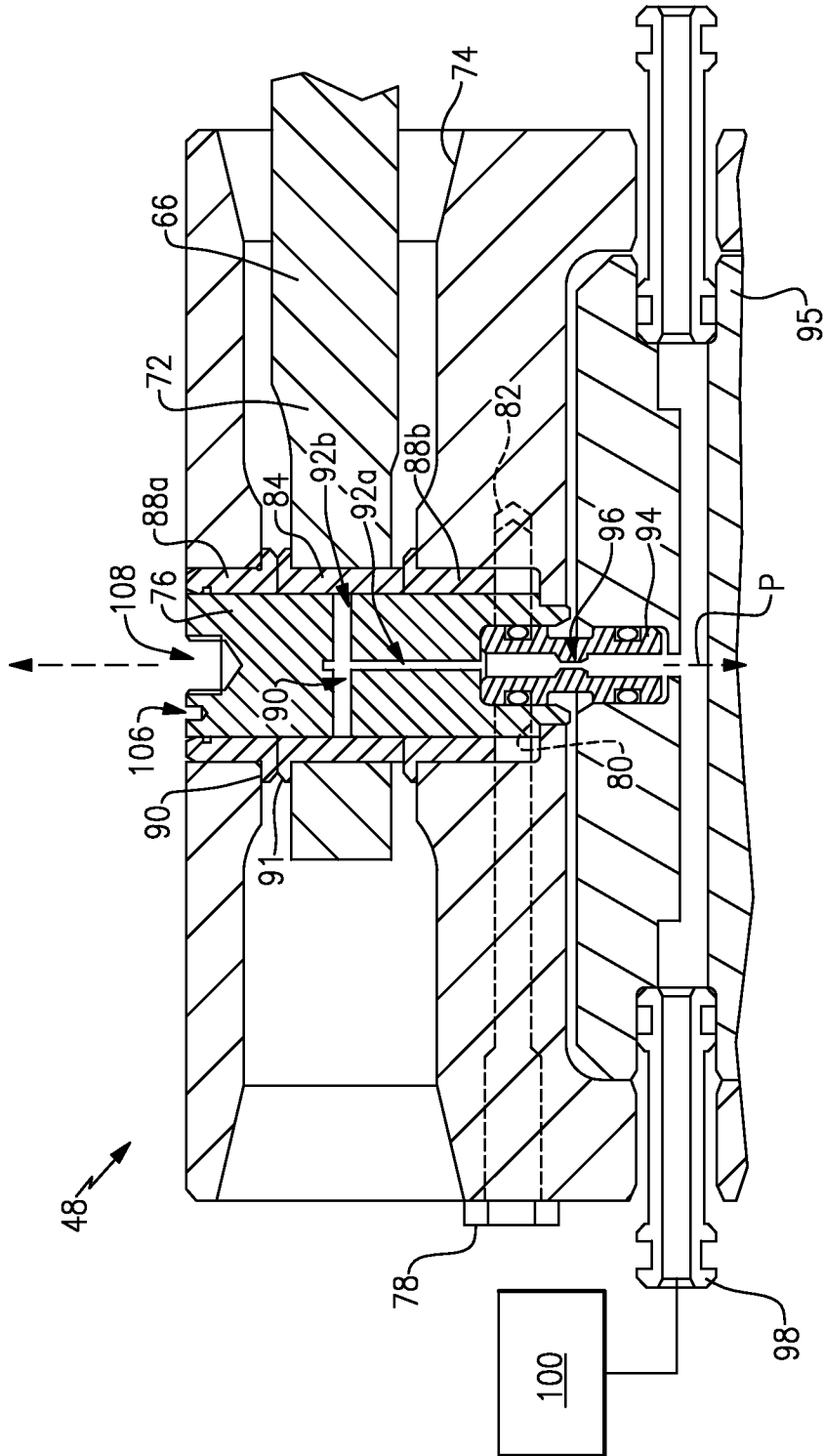


FIG. 5

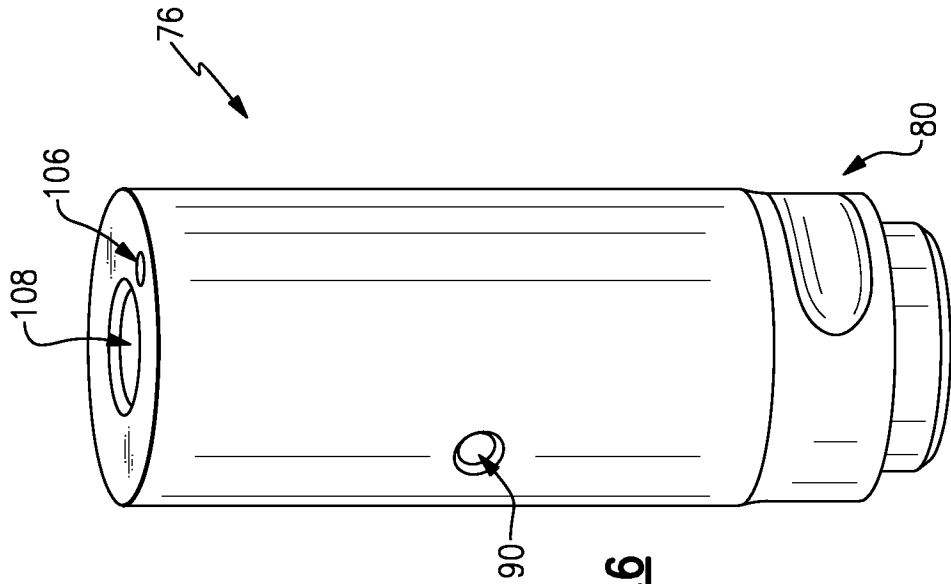


FIG. 6

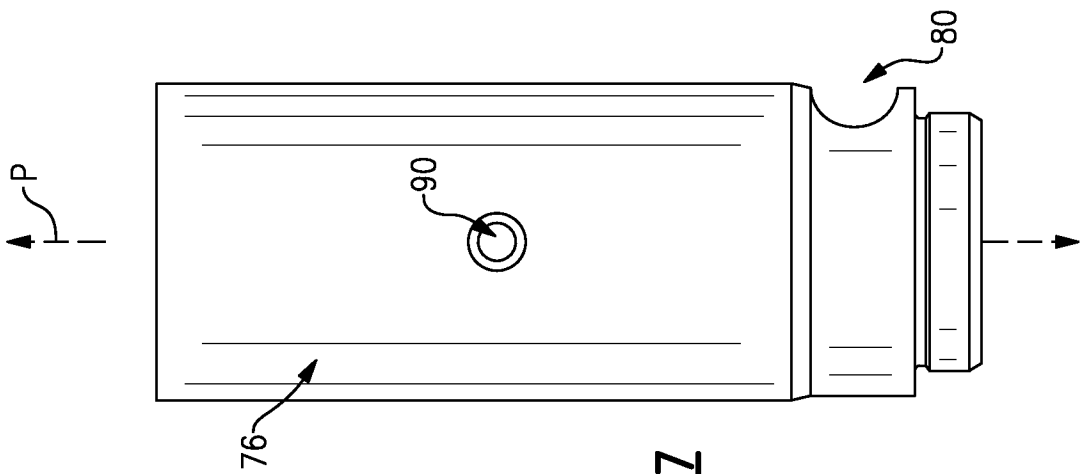


FIG. 7

INTERNATIONAL SEARCH REPORT

International application No.
PCT/US2013/059440**A. CLASSIFICATION OF SUBJECT MATTER****F02C 7/14(2006.01)i, F02C 7/00(2006.01)i, F02K 3/00(2006.01)i**

According to International Patent Classification (IPC) or to both national classification and IPC

B. FIELDS SEARCHED

Minimum documentation searched (classification system followed by classification symbols)

F02C 7/14; B60R 17/00; F02C 7/36; F16H 57/04; F01D 25/18; F16C 1/00; F04D 29/08; F02C 7/00; F02K 3/00

Documentation searched other than minimum documentation to the extent that such documents are included in the fields searched

Korean utility models and applications for utility models

Japanese utility models and applications for utility models

Electronic data base consulted during the international search (name of data base and, where practicable, search terms used)

eKOMPASS(KIPO internal) & Keywords: pin, carrier, torque frame, lubricant conduit, and bushing

C. DOCUMENTS CONSIDERED TO BE RELEVANT

Category*	Citation of document, with indication, where appropriate, of the relevant passages	Relevant to claim No.
A	EP 1876338 A2 (UNITED TECHNOLOGIES CORPORATION) 09 January 2008 See paragraphs [0008]-[0014] and claims 1-8.	1-18
A	US 2010-0150702 A1 (SHERIDAN, WILLIAM G. et al.) 17 June 2010 See paragraphs [0027]-[0032] and figure 7	1-18
A	US 6223616 B1 (SHERIDAN, WILLIAM G.) 01 May 2001 See claim 1 and figure 1.	1-18
A	US 5472383 A (MCKIBBIN, ALBERT H.) 05 December 1995 See abstract and claims 1-7.	1-18
A	US 7214157 B2 (FLAMANG, PETER et al.) 08 May 2007 See abstract and claim 1.	1-18

 Further documents are listed in the continuation of Box C. See patent family annex.

* Special categories of cited documents:

"A" document defining the general state of the art which is not considered to be of particular relevance

"E" earlier application or patent but published on or after the international filing date

"L" document which may throw doubts on priority claim(s) or which is cited to establish the publication date of another citation or other special reason (as specified)

"O" document referring to an oral disclosure, use, exhibition or other means

"P" document published prior to the international filing date but later than the priority date claimed

"T" later document published after the international filing date or priority date and not in conflict with the application but cited to understand the principle or theory underlying the invention

"X" document of particular relevance; the claimed invention cannot be considered novel or cannot be considered to involve an inventive step when the document is taken alone

"Y" document of particular relevance; the claimed invention cannot be considered to involve an inventive step when the document is combined with one or more other such documents, such combination being obvious to a person skilled in the art

"&" document member of the same patent family


Date of the actual completion of the international search

09 December 2013 (09.12.2013)

Date of mailing of the international search report

09 December 2013 (09.12.2013)

Name and mailing address of the ISA/KR


 Korean Intellectual Property Office
 189 Cheongsa-ro, Seo-gu, Daejeon Metropolitan City,
 302-701, Republic of Korea

Facsimile No. +82-42-472-7140

Authorized officer

KIM, Jin Ho

Telephone No. +82-42-481-8699



INTERNATIONAL SEARCH REPORT

Information on patent family members

International application No.

PCT/US2013/059440

Patent document cited in search report	Publication date	Patent family member(s)	Publication date
EP 1876338 A2	09/01/2008	EP 1876338 A3 EP 1876338 B1 EP 2339146 A1 EP 2339146 B1 EP 2362064 A2 EP 2546494 A1 JP 2008-014489 A JP 4722086 B2 US 2008-0006018 A1 US 2010-0105516 A1 US 2010-0150702 A1 US 2010-0154217 A1 US 2010-0160105 A1 US 2012-0121378 A1 US 2013-0223994 A1 US 7704178 B2 US 7883439 B2 US 7926260 B2 US 8276275 B2 US 8585538 B2	23/02/2011 16/10/2013 29/06/2011 22/08/2012 31/08/2011 16/01/2013 24/01/2008 13/07/2011 10/01/2008 29/04/2010 17/06/2010 24/06/2010 24/06/2010 17/05/2012 29/08/2013 27/04/2010 08/02/2011 19/04/2011 02/10/2012 19/11/2013
US 2010-0150702 A1	17/06/2010	EP 1876338 A2 EP 1876338 A3 EP 1876338 B1 EP 2339146 A1 EP 2339146 B1 EP 2362064 A2 EP 2546494 A1 JP 2008-014489 A JP 4722086 B2 US 2008-0006018 A1 US 2010-0105516 A1 US 2010-0154217 A1 US 2010-0160105 A1 US 7704178 B2 US 7883439 B2 US 7926260 B2 US 8276275 B2 US 8585538 B2	09/01/2008 23/02/2011 16/10/2013 29/06/2011 22/08/2012 31/08/2011 16/01/2013 24/01/2008 13/07/2011 10/01/2008 29/04/2010 24/06/2010 24/06/2010 27/04/2010 08/02/2011 19/04/2011 02/10/2012 19/11/2013
US 6223616 B1	01/05/2001	DE 60011988 D1 DE 60011988 T2 EP 1114949 A2 EP 1114949 A3 EP 1114949 B1 JP 2001-208146 A JP 4919533 B2	12/08/2004 18/08/2005 11/07/2001 16/08/2001 07/07/2004 03/08/2001 18/04/2012
US 5472383 A	05/12/1995	EP 0737281 A1	27/08/1997

INTERNATIONAL SEARCH REPORT

Information on patent family members

International application No.

PCT/US2013/059440

Patent document cited in search report	Publication date	Patent family member(s)	Publication date
US 7214157 B2	08/05/2007	EP 0737281 B1	18/03/1998
		JP 09-507284 A	22/07/1997
		JP 3649444 B2	18/05/2005
		WO 95-18319 A1	06/07/1995
		AT 336675 T	15/09/2006
		AU 2003-222614 A1	29/09/2003
		DE 60307608 D1	28/09/2006
		DE 60307608 T2	25/10/2007
		DK 1488139 T3	04/12/2006
		EP 1488139 A1	22/12/2004
		EP 1488139 B1	16/08/2006
		ES 2271562 T3	16/04/2007
		GB 0206163 D0	24/04/2002
		US 2005-0051387 A1	10/03/2005
		WO 03-078870 A1	25/09/2003