

(19) World Intellectual Property Organization
International Bureau



(43) International Publication Date
30 October 2008 (30.10.2008)

PCT

(10) International Publication Number
WO 2008/128794 A1

(51) International Patent Classification:
B01F 7/04 (2006.01) **B28C 5/08** (2006.01)
B01F 15/00 (2006.01) **B28C 5/14** (2006.01)

(21) International Application Number:
PCT/EP2008/050132

(22) International Filing Date: 8 January 2008 (08.01.2008)

(25) Filing Language: English

(26) Publication Language: English

(30) Priority Data:
MC2007U000020 18 April 2007 (18.04.2007) IT

(71) Applicant (for all designated States except US): **OFFICINE MECCANICHE GALLETTI O.M.G. SRL** [IT/IT]; 18, Via Brenta,, Frazione Ponte Valleceppi, I-06078 Perugia (IT).

(72) Inventor; and

(75) Inventor/Applicant (for US only): **GALLETTI, Paolo** [IT/IT]; 13, Via Gramsci, I-06078 Ponte Valleceppi (pg) (IT).

(74) Agent: **BALDI, CLAUDIO**; I-60035 Jesi (an) (IT).

(81) Designated States (unless otherwise indicated, for every kind of national protection available): AE, AG, AL, AM, AO, AT, AU, AZ, BA, BB, BG, BH, BR, BW, BY, BZ, CA, CH, CN, CO, CR, CU, CZ, DE, DK, DM, DO, DZ, EC, EE, EG, ES, FI, GB, GD, GE, GM, GT, HN, HR, HU, ID, IL, IN, IS, JP, KE, KG, KH, KN, KP, KR, KZ, LA, LC, LK, LR, LS, LT, LU, LY, MA, MD, ME, MG, MK, MN, MW, MX, MY, MZ, NA, NG, NI, NO, NZ, OM, PG, PH, PL, PT, RO, RS, RU, SC, SD, SE, SG, SK, SL, SM, SV, SY, TJ, TM, TN, TR, TT, TZ, UA, UG, US, UZ, VC, VN, ZA, ZM, ZW.

(84) Designated States (unless otherwise indicated, for every kind of regional protection available): ARIPO (BW, GH, GM, KE, LS, MW, MZ, NA, SD, SL, SZ, TZ, UG, ZM, ZW), Eurasian (AM, AZ, BY, KG, KZ, MD, RU, TJ, TM), European (AT, BE, BG, CH, CY, CZ, DE, DK, EE, ES, FI, FR, GB, GR, HR, HU, IE, IS, IT, LT, LU, LV, MC, MT, NL, NO, PL, PT, RO, SE, SI, SK, TR), OAPI (BF, BJ, CF, CG, CI, CM, GA, GN, GQ, GW, ML, MR, NE, SN, TD, TG).

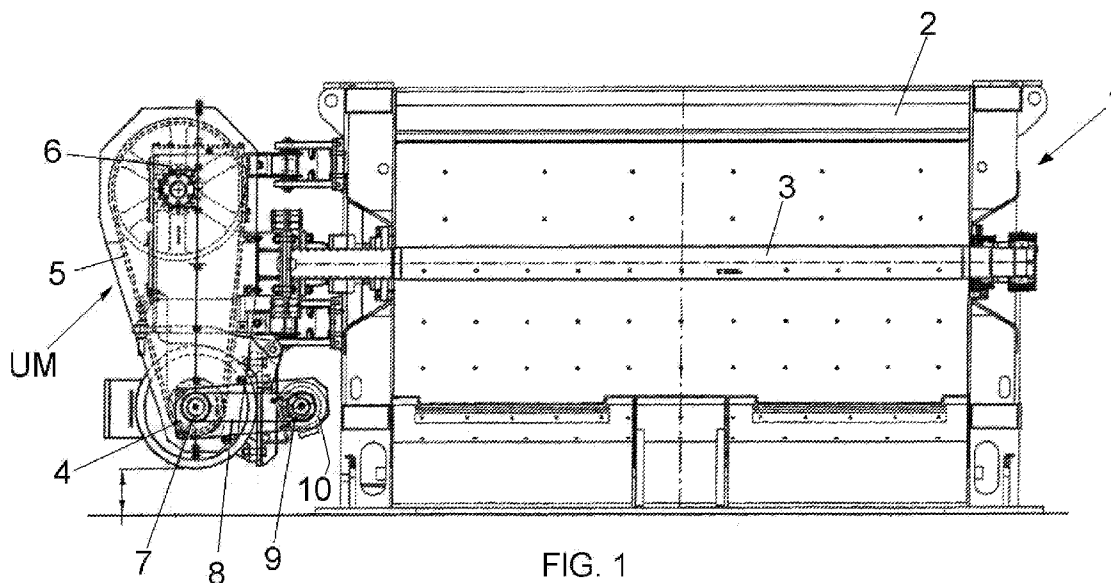
Declarations under Rule 4.17:

- as to applicant's entitlement to apply for and be granted a patent (Rule 4.17(ii))
- of inventorship (Rule 4.17(iv))

Published:

- with international search report

(54) Title: MIXER FOR CONCRETE AND SIMILAR MIXTURES ALLOWING EASY AND SAFE INTERNAL CLEANING



(57) Abstract: The present invention relates to a mixer for concrete and similar mixtures, of the type composed of a parallelepiped tank (2) internally provided with one or more mixing shafts (3), each of them driven into rotation by a corresponding motor unit (UM) in external position with respect to the tank (2), which comprises, with the necessary connections, an electric motor (4), a gear motor (6) and a cascade of intermediate and reducing gears interfaced with the end of the corresponding mixing shaft (3), characterised by the fact that it is provided with a low-power auxiliary motor (10) connected with the main motor (4), designed to be actuated to drive into very slow rotations the mixing shaft, associated to the main motor (4) during the internal cleaning operations of the tank (2).

WO 2008/128794 A1

Description

MIXER FOR CONCRETE AND SIMILAR MIXTURES ALLOWING EASY AND SAFE INTERNAL CLEANING

The present patent application relates to a mixer for concrete, powders, dry and semi-dry granules characterised by easy and safe internal cleaning.

As it is known, the traditional mixers used in the most diverse sectors, with particular reference to the building sector, are composed of a large
5 parallelepiped tank with cylindrical or omega-shaped walls, in which one or more rotational shafts operate horizontally to mix the mixtures loaded in the tank.

The said shafts are provided with radial blades designed to interfere
10 efficaciously interference with the mixture to be mixed.

The transversal borders of the tank are provided with housings used to insert the mixing shafts, with the interposition of suitable bearings and seal gaskets.

The motor units designed to drive each mixing shaft into rotation are
15 mounted in external position on one or both transversal borders.

The motor unit is composed of an electric motor that actuates, either directly or by means of a transmission belt, a gear motor that transmits the rotational motion to the mixing shaft with the interposition of a series of intermediate and reducing gears.

In general, the said electric motor has a speed of approximately 1400
20 rpm, which corresponds to a speed reduced by $\frac{1}{2}$ in the gear motor and a speed of approximately 25 rpm in the mixing shaft.

During the practical use of the said mixers, it is frequently necessary – preferably on a daily basis and in any case before the residual mortar
25 consolidates – to clean the tank used to mix the different materials.

More precisely, it is necessary to remove the solid deposits of the mixture from the internal surfaces of the tank (including mixing shafts and

their blades); this operation is normally carried out by an operator who can be positioned outside or inside the tank to ensure more efficacious cleaning.

In particular, the cleaning operation of the mixing shafts contained in the tank is especially difficult.

5 In view of the fact that each shaft must be cleaned on the external side and in the intersection point of the blades along the entire length, it is a normal procedure in this case to drive the shaft into short angular travels (by a few degrees at a time) in order to make the cleaning operation easier for the operator inside the tank.

10 In this way, the surface sections of the shaft to be cleaned are always directed upwards, that is to say in a more comfortable position for the operator.

In particular, short angular travels are imposed to each mixing shaft by means of short electrical impulses imposed on the electric motor used in the
15 motor unit.

Such an operative principle is not considered to be fully satisfactory, especially because of the risks for the operator inside the tank when the mixing shaft are subject to the aforementioned short travels.

Possible malfunctioning of the device or negligence of the operator in
20 charge of giving the said short impulses to the motor unit could result in the uncontrolled rotation of the mixing shafts at the normal operation speed, with lethal consequences for the operator in charge of cleaning.

It must be noted that the shafts radially support the heavy mixing
25 blades that could cause very serious injuries in case of interference with the body of the operator at the normal rotational speed.

The specific purpose of the present invention is to improve the safety of a concrete mixer during the cleaning operation carried out by the operator inside the tank.

To that end, the logic principle based on the aforementioned
30 intermittent forward travels of the mixing shafts obtained with short "consecutive steps" of the motor units has been completely abandoned.

Alternatively, the motor unit of the mixing shaft has been associated

with a small gear motor that is used for the ordinary operation of the mixer, but is advantageously used during the internal cleaning operation of the mixer.

In such a case, the small gear motor is used to drive in rotation, with
5 the interposition of the traditional motor unit, the corresponding mixing shaft at a very low rotational speed (1 rpm).

It appears evident that the slow rotation of the mixing shaft is not dangerous for the cleaning operator inside the tank.

As a matter of fact, the operator will be able to avoid the heavy radial
10 blades that rotate very slowly inside the mixing tank.

For purposes of clarity the description of the present invention continues with reference to the enclosed drawing, which is intended for purposes of illustration only and not in a limiting sense, whereby Fig. 1 is a lateral view of the mixer of the invention.

15 With reference to the said figure, the mixer (1) is traditionally composed of a parallelepiped tank (2) provided with one or more rotational shafts (3) horizontally supported between the transversal borders in order to mix the mixture contained in the tank (2).

Each shaft (3) is actuated by a corresponding motor unit (UM)
20 composed of an electric motor (4) connected by means of a belt (5) to a gear motor (6) connected to the corresponding mixing shaft (3) by means of a cascade of intermediate and reducing gears.

The motor (4) is considerably powerful because, with the interposition of the gear motor (6) and the cascade of gears, it drives the corresponding
25 mixing shaft (3) at a speed that is sufficiently high to ensure the perfect mixing of the dense heavy mixture contained in the tank (2).

Within the said traditional configuration, a free wheel (7) is applied to the shaft of the main electric motor (4), and mounted in such a position that it does not participate in the normal rotation of the electric motor (4).

30 The free wheel (7) is connected by means of a belt (8) to a pulley (9) splined to the shaft of an electric motor with low power (10), preferably 1 CV, which is mounted in adjacent position to the main electric motor (4), being

capable of actuating it.

Before the cleaning operation, the main motor (4) is disconnected and the auxiliary motor with low power (10) is powered.

Because of the interposition of the transmission belt (9), the actuation
5 of the auxiliary motor (10) causes the rotation of the free wheel (7) and consequently of the main motor (4) on which the free wheel (7) is splined.

The rotation imposed to the shaft of the main motor (4) is designed to drive in the same rotation direction the entire kinematic chain composed of the gear motor (6), the cascade of intermediate and reducing gears and the
10 mixing shaft (3).

In view of the fact that the power of the auxiliary motor (10) is quite limited and the motor unit (UM) connected to it ensures the reduction of the rotation speed of the shaft of the same auxiliary motor (10), it appears evident that the mixing shaft (3) makes extremely slow rotation travels, which
15 are almost imperceptible, thus permitting the operator in the tank to interfere with total safety and maximum efficiency with the surface of the tank and remove the solid deposits.

Preferably, the rotational speed of the auxiliary motor (10) is 60-70 rpm, which corresponds to a rotational speed of 1 rpm in the rotational shaft
20 (3).

Finally, it must be noted that, without leaving the scope of this inventive idea, a different realisation mode of the "selective" connection between the auxiliary motor (10) and the main motor (4) of the motor unit (UM) can be provided.

25 Only for illustrative, not limiting purposes, a clutch can be provided between the shafts of the main (4) and auxiliary (10) motors, being evident, in this case, that the two motors can have the same rotational direction.

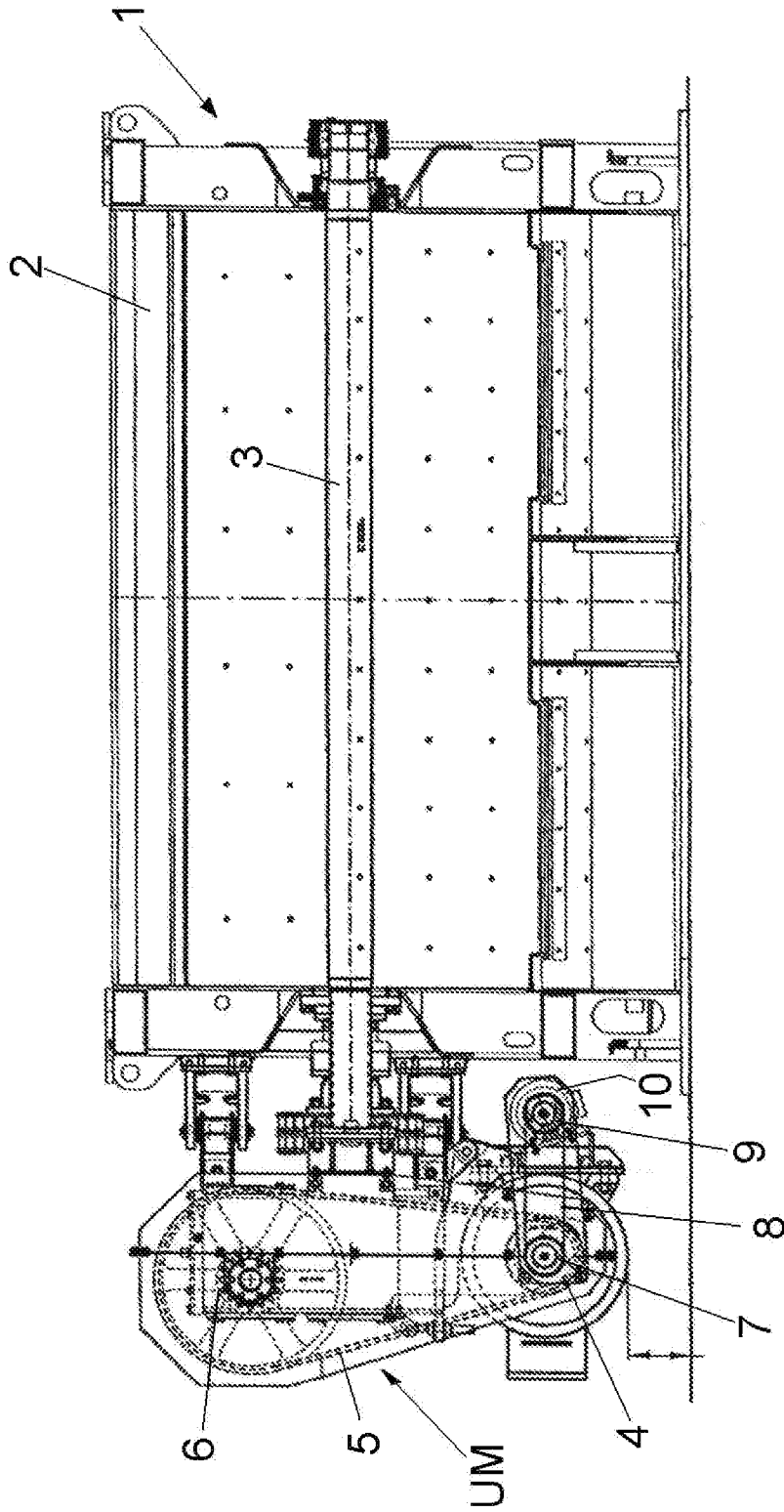
In case of mixers provided with a single mixing shaft and a single motor unit, a single auxiliary motor (10) is associated to the motor unit.

30 However, the use of a single auxiliary motor is also provided in case of mixers with two or more mixing shafts, because, in such a case, the mixing shafts are coupled by means of constant-velocity joints.

Because of this, although the auxiliary motor (10) drives in rotation only the specific unit motor associated with it, the rotation of the mixing shaft directly actuated by the latter involves the contemporary rotation (by means of the connection provided by the constant-velocity joint) of the adjacent
5 mixing shaft or shafts.

Claims

- 1) Mixer for concrete and similar mixtures, of the type composed of a parallelepiped tank (2) internally provided with one or more mixing shafts (3), each of them driven into rotation by a corresponding motor unit (UM) in external position with respect to the tank (2), which comprises, with the
5 necessary connections, an electric motor (4), a gear motor (6) and a cascade of intermediate and reducing gears interfaced with the end of the corresponding mixing shaft (3), characterised by the fact that it is provided with a low-power auxiliary motor (10) connected with the main motor (4) of the motor unit (UM) by means of elements (7) that, during the normal
10 activation of the main motor (4) and the contemporary deactivation of the auxiliary motor (10), prevent the latter from being driven into rotation by the same main motor (4), and, during the deactivation of the main motor (4) and the contemporary activation of the auxiliary motor (10), allow the latter to drive the main motor (4) into rotation.
- 15 2) Mixer as claimed in claim 1, characterised by the fact that the said connection means provided between the main motor (4) and the auxiliary motor (10) consists in a free wheel (7) mounted on the shaft of the main motor (4) and connected by means of a belt (8) to a pulley (9) splined on the shaft of the auxiliary motor (10).
- 20 3) Mixer as claimed in claim 1, characterised by the fact that the connection means (7) provided between the main motor (4) and the auxiliary motor (10) consists in a clutch mounted between the shafts of the same motors.
- 4) Mixer as claimed in one or more of the preceding claims, characterised by the fact that the auxiliary motor (10) has 1 CV power.



INTERNATIONAL SEARCH REPORT

International application No

PCT/EP2008/050132

A. CLASSIFICATION OF SUBJECT MATTER INV. B01F7/04 B01F15/00 B28C5/08 B28C5/14		
According to International Patent Classification (IPC) or to both national classification and IPC		
B. FIELDS SEARCHED		
Minimum documentation searched (classification system followed by classification symbols) B01F B28C E01C		
Documentation searched other than minimum documentation to the extent that such documents are included in the fields searched		
Electronic data base consulted during the international search (name of data base and, where practical, search terms used) EPO-Internal, WPI Data		
C. DOCUMENTS CONSIDERED TO BE RELEVANT		
Category*	Citation of document, with indication, where appropriate, of the relevant passages	Relevant to claim No.
X	GB 2 089 597 A (SIMON ROSEDOWN LTD) 23 June 1982 (1982-06-23)	1-3
A	page 1, line 3 - line 5 page 1, line 52 - line 63 page 1, line 80 - line 87 -----	4
X	DE 38 14 211 C1 (HERMANN BERSTORFF MASCHINENBAU GMBH, 3000 HANNOVER, DE) 27 April 1989 (1989-04-27)	1,2
A	column 2, line 30 - line 45 column 2, line 65 - column 3, line 22 figure 1 -----	3,4
<input type="checkbox"/> Further documents are listed in the continuation of Box C. <input checked="" type="checkbox"/> See patent family annex.		
* Special categories of cited documents :		
A document defining the general state of the art which is not considered to be of particular relevance *E* earlier document but published on or after the international filing date *L* document which may throw doubts on priority claim(s) or which is cited to establish the publication date of another citation or other special reason (as specified) *O* document referring to an oral disclosure, use, exhibition or other means *P* document published prior to the international filing date but later than the priority date claimed		*T* later document published after the international filing date or priority date and not in conflict with the application but cited to understand the principle or theory underlying the invention *X* document of particular relevance; the claimed invention cannot be considered novel or cannot be considered to involve an inventive step when the document is taken alone *Y* document of particular relevance; the claimed invention cannot be considered to involve an inventive step when the document is combined with one or more other such documents, such combination being obvious to a person skilled in the art. *&* document member of the same patent family
Date of the actual completion of the international search 11 April 2008		Date of mailing of the international search report 21/04/2008
Name and mailing address of the ISA/ European Patent Office, P.B. 5818 Patentlaan 2 NL - 2280 HV Rijswijk Tel. (+31-70) 340-2040, Tx. 31 651 epo nl, Fax: (+31-70) 340-3016		Authorized officer Real Cabrera, Rafael

INTERNATIONAL SEARCH REPORT

Information on patent family members

International application No

PCT/EP2008/050132

Patent document cited in search report	Publication date	Patent family member(s)	Publication date
GB 2089597	A	23-06-1982	NONE
DE 3814211	C1	27-04-1989	NONE