

(19)



(11)

EP 3 170 759 A1

(12)

EUROPEAN PATENT APPLICATION

(43) Date of publication:
24.05.2017 Bulletin 2017/21

(51) Int Cl:
B65D 5/42 ^(2006.01) **B65D 65/40** ^(2006.01)
B29C 67/00 ^(2017.01) **B29C 65/00** ^(2006.01)
B29C 65/18 ^(2006.01) **B29L 31/00** ^(2006.01)

(21) Application number: **16204728.6**

(22) Date of filing: **17.05.2012**

(84) Designated Contracting States:
AL AT BE BG CH CY CZ DE DK EE ES FI FR GB GR HR HU IE IS IT LI LT LU LV MC MK MT NL NO PL PT RO RS SE SI SK SM TR

(72) Inventor: **MCMAHON, Willam F**
Hartford, WI Wisconsin 53027 (US)

(30) Priority: **13.10.2011 US 201113273019**

(74) Representative: **Thiel, Frédéric et al**
Kilburn & Strode LLP
20 Red Lion Street
London WC1R 4PJ (GB)

(62) Document number(s) of the earlier application(s) in accordance with Art. 76 EPC:
12724472.1 / 2 766 269

Remarks:
This application was filed on 16.12.2016 as a divisional application to the application mentioned under INID code 62.

(71) Applicant: **Orbis Corporation**
Oconomowoc
Wisconsin 53066 (US)

(54) PLASTIC CORRUGATED CONTAINER WITH SEALED EDGES

(57) A reusable plastic container (10) is provided. The container includes a plastic container body (12) having opposing side panels (18, 20) and opposing end panels (14, 16). The container body also includes top side panel flaps (42) attached to a top portion of each side panel, and bottom side panel flaps (38) attached to a bottom portion of each side panel. The container body

has top end panel flaps (34) attached to a top portion of each end panel, and bottom end panel flaps (30) attached to a bottom portion of each end panel. The top and bottom side panel flaps are each defined with respect to the side panels by a fold line (40, 43). The flaps are made from corrugated material with smooth sealed edges (98) across the corrugation (70).

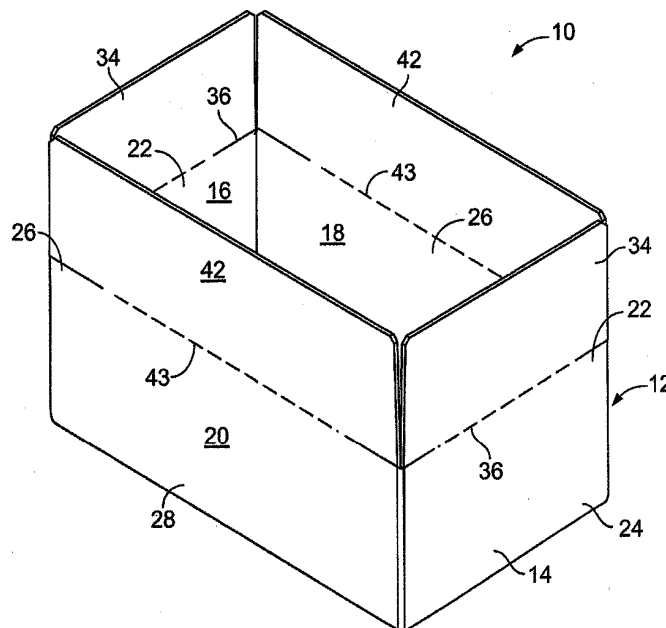


FIG. 5

EP 3 170 759 A1

Description

CROSS-REFERENCE TO RELATED APPLICATIONS

[0001] The present invention claims the benefit of U.S. Patent Application No. 13/273,019 filed October 13, 2011.

FEDERALLY SPONSORED RESEARCH OR DEVELOPMENT

[0002] Not applicable.

FIELD OF THE INVENTION

[0003] The present invention generally relates to a reusable plastic corrugated container that is capable of being used interchangeably within and interchangeably with expendable corrugated containers in existing automated packaging equipment and to a method and apparatus for forming the container.

BACKGROUND OF THE INVENTION

[0004] Reusable plastic packaging has in recent years been used to store and transport all manner of goods and materials via air, highway, and rail. Such goods and materials run the gamut, including general merchandise, health and beauty aids, automotive parts, beverage, bakery, pharmaceuticals, and food products.

[0005] Reusable packaging typically lasts for multiple trips making it more cost effective than wood fiber corrugated or other disposable packaging, which is typically discarded after a single use. Plastic packaging is both reusable and recyclable, and therefore, environmentally friendly.

[0006] Until the present invention, one drawback to plastic packaging is that it cannot be used with existing automated corrugated paper packaging equipment. An example of such equipment is shown in U.S. Patent No. 7,886,503 to Chase, et al. Such equipment is designed for new corrugated paper boxes. New paper corrugated boxes are almost perfectly straight and flat. Existing reusable plastic packaging such as plastic corrugated boxes, however, have top and bottom flaps that do not return to a sufficiently flat position after they have been used and broken down. Thus, existing plastic corrugated boxes will not work with automated corrugated paper packaging equipment to allow them to be reused.

[0007] The plastic corrugated container of the present invention provides a reusable plastic container that can be used interchangeably with existing automated paper corrugated packaging equipment. Fold lines for the top and bottom flaps include a combination of welded and scored portions that return the flaps to a substantially planar configuration with the container end and side panels after each use.

SUMMARY OF THE INVENTION

[0008] The present invention relates to a reusable corrugated plastic container in the form of a rectangular box.

5 The container is formed from a flat blank of extruded plastic. The extruded plastic includes a first outer layer, a second outer layer and a plurality of flutes between the first outer layer and second outer layer. The blank is converted with fold lines between the side and end walls of the container with top and bottom flaps extending from the top and bottom portions of the side and end walls. These fold lines are designed to include both scored portions (i.e., partially crushed) and welded portions (e.g., heat welded). Prior to folding, the flaps are substantially coplanar with the respective side or end wall.

10 **[0009]** The welded portions of the fold line allow the top and bottom flaps to be easily folded in existing package erecting machines. The welded portions substantially keep their form over time. The scored portions also allow for folding of the flap, however, these portions also allow the memory of the plastic to recover over time to enable the flaps to again become coplanar with the respective side or end walls after use. This facilitates the reuse of the container after a first (or subsequent) use because the package erecting and packing machinery requires the containers to be straight.

25 **[0010]** In one embodiment of the present invention, a reusable plastic container is provided. The container includes a plastic container body having opposing side panels and opposing end panels. The container body also includes top side panel flaps attached to a top portion of each side panel, and bottom side panel flaps attached to a bottom portion of each side panel. The container body has top end panel flaps attached to a top portion of each end panel, and bottom end panel flaps attached to a bottom portion of each end panel. The top and bottom side panel flaps are each defined with respect to the side panels by a fold line. Each of the fold lines include at least one scored portion and at least one welded portion. Additional score and/or weld lines can be provided as desired or needed. Further other fold lines in the container can be formed in a similar manner, having both scored and welded portions in a single line.

30 **[0011]** In another embodiment, the present invention provides a blank for a reusable plastic container. The blank includes a first end panel having first and second ends and top and bottom portions, and a first side panel having first and second ends and top and bottom portions. The first end of the first side panel is attached to the second end of the first end panel. A second end panel has first and second ends and top and bottom portions. The first end of the second end panel is attached to the second end of the first side panel. A second side panel has first and second ends and top and bottom portions. The first end of the second side panel is attached to the second end of the second end panel. A top flap is attached along top flap fold lines to the top portion of each of the first and second end panels, and first and second

side panels. A bottom flap is attached along bottom flap fold lines to the bottom portion of each of the first and second end panels, and first and second side panels. At least one of the top and bottom flap fold lines includes at least one welded portion and at least one scored portion. Again, additional scored and welded portions can be provided, and other fold lines in the blank can include a combination of scored and welded portions.

[0012] In a further embodiment, an apparatus for making a reusable plastic container from a blank is provided. The apparatus includes a bottom platen and a top platen. At least one of the top or bottom platens includes a rule for creating a fold line having at least one score forming portion for forming at least one scored portion of the fold line. The rule also has at least one weld forming portion for forming at least one welded portion of the fold line. A heating element is provided either against the weld forming portion of the rule, or on an opposing platen to provide heat for the weld in the fold line.

[0013] In another embodiment, a method for making a reusable plastic container is provided. The method includes the steps of providing a plastic corrugated blank, and creating a fold line in the blank. The step of creating the fold line includes scoring a first portion of the fold line and welding a second portion of the fold line.

[0014] In another embodiment, a fold line for a plastic corrugated container is provided. The fold line includes at least one scored portion, and at least one welded portion.

[0015] Additionally, the blank can be formed to have smooth outer edges. This can be accomplished after or part of an extruding process by pressing a generally C-shaped hot plate against the edges of the extruded sheet.

[0016] The blank can be provided with a connecting segment on either end of the blank having a reduced thickness. The connecting segments are used to connect the ends together to form a functional container. The connecting segment must be such that the partially broken down container would lay flat to be used with existing packaging equipment.

[0017] Other features and advantages of the invention will be apparent from the following specification taken in conjunction with the following Figures.

BRIEF DESCRIPTION OF THE FIGURES

[0018] To understand the present invention, it will now be described by way of example, with reference to the accompanying Figures in which:

FIG. 1 is a plan view of a plastic corrugated blank having fold lines of an embodiment of the present invention.

FIG. 2 is an enlarged view of section 2 of FIG. 1 showing the scored portion and welded portion of a fold line of an embodiment of the present invention. FIG. 3 is a perspective view of a welded portion of a fold line of an embodiment of the present invention.

FIG. 4 is a perspective view of a scored portion of a fold line of an embodiment of the present invention. FIG. 5 is a partially erected plastic corrugated container of an embodiment of the present invention.

FIG. 6 is a plan view of a plastic corrugated blank having fold lines of an embodiment of the present invention.

FIG. 7A is a schematic view of an apparatus for making a plastic corrugated blank in accord with an embodiment of the present invention.

FIG. 7B is a schematic view of an apparatus for making a plastic corrugated blank in accord with an embodiment of the present invention.

FIG. 8A is a schematic view of an apparatus for making a plastic corrugated blank in accord with an embodiment of the present invention.

FIG. 8B is a schematic view of an apparatus for making a plastic corrugated blank in accord with an embodiment of the present invention.

FIG. 9A is a schematic view of an apparatus for making a plastic corrugated blank in accord with an embodiment of the present invention.

FIG. 9B is a schematic view of an apparatus for making a plastic corrugated blank in accord with an embodiment of the present invention.

FIG. 10 is a schematic view of an apparatus for making a plastic corrugated blank in accord with an embodiment of the present invention.

FIG. 11A is a schematic view of a tab and cutout in a plastic corrugated blank in accord with an embodiment of the present invention before engagement.

FIG. 11B is a schematic view of a tab and cutout in a plastic corrugated blank in accord with an embodiment of the present invention after engagement.

FIG. 12 is a perspective of a stack of pre-erected containers for use with a packaging erector machine.

FIG. 13 is a perspective view of a stack of partially constructed and/or broken down containers for use with a packaging erector machine.

DETAILED DESCRIPTION OF THE INVENTION

[0019] While this invention is susceptible of embodiments in many different forms, there is shown in the Figures, and will herein be described in detail, preferred embodiments of the invention with the understanding that the present disclosure is to be considered as an exemplification of the principles of the invention, and is not intended to limit the broad aspect of the invention to the embodiments illustrated.

[0020] Referring to the drawings, in an embodiment of the present invention shown in FIG. 5, an erected and partially set up plastic corrugated box or container 10 is provided. The container 10 includes a container body 12 having a first end panel 14 and a second end panel 16, and a first side panel 18 and a second side panel 20. The first and second end panels 14 and 16 each have top portions 22 and bottom portions 24. The first and second

side panels 18 and 20 also each have top portions 26 and bottom portions 28.

[0021] Bottom end panel flaps 30 are attached to the bottom portions 22 of the first and second end panels 14 and 16 along fold lines 32. Top end panel flaps 34 are attached to the top portions 22 of the first and second end panels 14 and 16 along fold lines 36. Bottom side panel flaps 38 are attached to the bottom portions 28 of the first and second side panels 18 and 20 along fold lines 40. Top side panel flaps 42 are attached to the top portions 26 of the first and second side panels 18 and 20 along fold lines 43.

[0022] The container 10 is formed from a plastic blank 44 shown in FIGS. 1 and 2. The blank 44 is an extruded sheet of plastic having a first layer 66 and a second layer 68, and a plurality of flutes 70 between them. (See FIGS. 3 and 4). The blank 44 includes the first end panel 14 having a first end 46 and a second end 48. The first side panel 18 has a first end 50 and a second end 52. The first end 50 of the first side panel 18 is attached to the second end 48 of the first end panel 14. The second end panel 16 has a first end 54 and a second end 56. The first end 54 of the second end panel 16 is attached to the second end 52 of the first side panel 18. The second side panel 20 includes a first end 58 and a second end 60.

[0023] The first end 58 of the second side panel 20 is attached to the second end 56 of the second end panel 16. In this pre-erected position, the bottom and top side and end panel flaps 30, 34, 38 and 42 are substantially planar with respect to their respective side and end panels 14, 16, 18 and 20. The bottom and top side and end panel flaps 30, 34, 38 and 42 are folded into an erected position to create the container 10. FIG. 5 shows a partially erected container 10 with the bottom side and end panel flaps 30 and 38 folded and the top side and end panel flaps 34 and 42 not yet folded. In a fully erected position, the top side and end panel flaps 34 and 42 are folded to enclose the container 10. After the container 10 is used, it is knocked down to a pre-erected (totally flat) or a partially broken down (one end of the blank still attached to the other end) position for transport and storage.

[0024] In one embodiment, a tab 62 is attached to the second end 56 of the second side panel 16. The tab 62 engages with a cutout 64 in the first end 46 of the first end panel 14. The tab 62 and cutout 64 are sized and shaped such that when engaged, as shown in FIGS. 11A and 11B, the tab 62 and cutout 64 form a connection between the first end panel 14 and second side panel 20 such that the panels are substantially coplanar as shown in FIG. 11B, and do not add thickness to the wall sections at this point. This becomes important when a large number of partially constructed or broken down containers are stacked (or positioned side by side) for a container erecting machine (See FIG. 12). Even a slight increase in thickness (above the double wall thickness of the remainder of the collapsed container) would result in a bulge in this area that could cause problems with the

machinery.

[0025] In another embodiment, the tab or manufacturers joint flap 62 can be extruded to a thickness of approximately 1/3 the thickness of the second side panel 20. Where the tab or manufacturers joint flap 62 and side panel 20 overlap can be fastened, such as by gluing, and welded to a thickness equal to or less than the thickness of the side panel 20 to remove the memory from the plastic, and provide a container 10 with coplanar end and side panels. This does not add thickness allowing the container 10 to work with existing paper corrugated packaging machinery. This embodiment does not require a cutout 64. The tab or manufacturers joint flap 62 may extend the length of the second end 60 of the second end panel 20.

[0026] The blank 44 is preferably a corrugated plastic sheet. The blank 44 includes a first layer 66 and a second layer 68. Between the first layer 66 and second layer 68 are flutes 70. The blank 44 is formed as a single, integral sheet, preferably by an extrusion process. Plastic corrugated containers can be made to suit particular size, stiffness, resilience, and strength requirements by varying a variety of characteristics or parameters, such as the thickness of the first and second layers 66 and 68, the overall thickness of the blank 44, the number of flutes 70, the plastic resin used, or other characteristics of the blank 44 material. Typical ranges for such parameters include 67-100 flutes per foot, blank thickness of 2 to 10 mm, and plastic material density of 400 to 1,000 grams per square meter. Typical materials for the blank 44 can include plastic materials such as high density polypropylene and high density polyethylene.

[0027] Scored fold lines are known in the art and have been used extensively with paperboard containers such as cardboard. Scored fold lines are typically formed by crushing or partially crushing one or both sides of the blank along the desired fold line. This weakens the blank material so that it can be folded along such line. In addition, the crushed score line can include perforations at intervals along its length.

[0028] It has been found that given time, the score lines formed in plastic corrugated packaging in this manner have a memory, meaning the material has a tendency to return to its original pre-erected substantially planar position. Over time, typically on the order of days, the memory of the material essentially makes the score lines disappear, making folding the blank along these score lines a second time difficult if not impossible. The material is too stiff to be used in existing automated packaging equipment.

[0029] It has also been found that welding the first and second layers 66 and 68 of the blank 44 together allows for easy folding, but substantially negates the memory of the material. Welded score lines have not been previously used in connection with plastic corrugated packaging. Welding only (without providing a scored portion) may hinder the material from being used on existing corrugated paper packaging equipment as the top and bot-

tom side and end panel flaps will not return to their pre-erected substantially planar configuration with the side and end panels (See FIG. 13).

[0030] To overcome this problem, a combination of welding and scoring the fold lines of the present invention is used. This provides the desired combination of ease of foldability and memory to permit the top and bottom side and end panel flaps to be folded and return to substantially their pre-erected planar configuration with the side and end panels after use and knock down. Thus, plastic packaging made in accord with the present invention can be reused and can be erected again using existing packaging equipment.

[0031] To this end, the fold lines 32, 26, 40 and 43 include at least one welded portion 72 (FIG. 3) and at least one scored portion 74 (FIG. 4). Additional welded portions 72 and/or scored portions 74 can be used for each fold line. In an embodiment shown in FIGS. 1, 2, 5 and 6, scored portions 74 are located at the first and second ends 50, 52, 58 and 60 of the side panels 18 and 20, and the first and second ends 46, 48, 54 and 56 of the end panels 14 and 16.

[0032] The scored portions 74 can be sized and spaced along the fold lines 32, 36, 40 and 43 to achieve desired foldability and memory characteristics such that the bottom and top end and side panel flaps 30, 34, 38 and 42 return to their substantially pre-erected position to allow it to be used with existing packaging equipment. The scored portions 74 can be crushed and may include perforations. The remainder of the fold lines 32, 36, 40 and 43 between the scored portions 74 include welded portions 72.

[0033] As an example, in a plastic corrugated container 10 having dimensions 12 inches wide by 20 inches long by 8 inches high, and made of a material high density polypropylene, having a blank 44 thickness of 3-4 mm, and ninety flutes 70 per foot, it has been found that scored portions of approximately 1 1/2 inches in length at the first and second ends 46, 48, 50, 52, 54, 56, 58 and 60 of the side and end panels 14, 16, 18 and 20 provides the desired characteristics. For longer side panels 18 and 20 as shown in FIG. 6, additional scored portions 74 can be located along the length of the fold lines 32, 36, 40 and 43. Alternatively, the scored portions 74 can be of longer or shorter length to achieve the same desired result. The same is true of the shorter end panels 14 and 16 of FIG. 6, wherein only one scored portion 74 may be desired or necessary.

[0034] The welded portion 72 and scored portion 74 are formed using an apparatus 76, which includes a bottom platen 78 and a top platen 80. In one embodiment shown in FIGS. 7A and 7B, the top platen 80 includes a rule 82. FIG. 7A shows the apparatus before fold lines 32, 36, 40 and 43 are formed in the blank 44. FIG. 7B shows the blank 44 after the fold lines are formed. The rule 82 includes a weld-forming portion 84 and score-forming portion 86. The score forming portion 86 is recessed with respect to the weld-forming portion 84.

[0035] For the welded portions 72 of the fold lines 32, 35, 40 and 43, the rule 82 is heated by a heating element or heater 88. The heater 88 heats the rule 82 to a temperature sufficient to form a welded portion 72 along the fold lines 32, 36, 40 and 43. This temperature will depend at least in part on the material used. Alternately, the bottom platen 78 can be heated at portions aligning with the weld-forming portions 84 of the rule 82 to the same effect. The rule 82 can include serrations in the score-forming portion 86.

[0036] In operation, the bottom platen 78 remains stationary while the top platen 80 is moved in a vertical direction. The blank 44 is placed between the bottom platen 78 and top platen 80. The top platen 80 including the rule 82 is lowered. The rule 82 contacts the blank 44. The weld-forming portion 84 welds the first layer 66 of the blank 44 to the second layer 68. The score-forming portion 84, since it is recessed from the weld-forming portion 84, forms the scored portion 74 of the fold lines 32, 36, 40 and 43.

[0037] FIGS. 8A and 8B are similar to FIGS. 7A and 7B, but show an embodiment where scored portions 74 and welded portions 72 are formed alternately at selected desired intervals along the fold lines 32, 36, 40 and 43 as shown in the blank 44 of FIG. 6. This embodiment may be desirable where, for instance, the length of the side panels 18 and 20 and end panels 14 and 16 of the container 10 and blank 44 is such that the return strength of these panels is sufficient to return flaps 30, 34, 38 and 42 to substantially their pre-erected position.

[0038] FIG. 9A shows an embodiment where the bottom platen 78 rather than the top platen 80 is heated as shown in FIGS. 7A, 7B, 8A, and 8B. FIG. 9B shows an embodiment where both the top and bottom platens 78 and 80 are heated, including the rule 82.

[0039] FIG. 10 shows an apparatus 96 for sealing an end 98 of the bottom and top side and end flaps 30, 34, 38 and 42. Sealing is desirable in certain applications such as transport and storage of food items. Sealing prevents food materials from lodging in the interstices of the flutes 70, and bacteria from growing therein. The apparatus 96 includes a heated sealing bar 100 with a generally C-shaped section 102. The heated sealing bar 100 contacts the end 98 of a flap 30, 34, 38 or 42 and partially melts the end 98 to seal it and create a smooth arcuate surface. In the past, heat scoring was used to seal the edges. However, this produces a sharp edge that can be hazardous to those handling the containers.

[0040] While the specific embodiments have been illustrated and described, numerous modifications come to mind without significantly departing from the spirit of the invention and the scope of protection is only limited by the scope of the accompanying Claims. Aspects of the present disclosure are set out in the following numbered clauses, which contain the subject-matter of the claims of the parent application as originally filed.

1. A reusable plastic container, the container com-

prising:

- a plastic container body having opposing side panels and opposing end panels;
 the container body having top side panel flaps attached to a top portion of each side panel, and bottom side panel flaps attached to a bottom portion of each side panel;
 the container body having top end panel flaps attached to a top portion of each end panel, and bottom end panel flaps attached to a bottom portion of each end panel; and
 the top and bottom side panel flaps each defined with respect to the side panels by a fold line, each of the fold lines including at least one scored portion and at least one welded portion.
2. The reusable plastic container of clause 1 further comprising the top and bottom end panel flaps each defined with respect to the end panels by a fold line, each of the fold lines including at least one scored portion and at least one welded portion.
3. The reusable plastic container of clause 1 wherein the plastic container body and the top and bottom side and end panel flaps are formed from a plastic corrugated blank.
4. The reusable plastic container of clause 1 wherein at least one fold line includes more than one scored portion.
5. The reusable plastic container of clause 1 wherein at least one fold line includes more than one welded portion.
6. The reusable plastic container of clause 1 wherein at least one fold line includes a scored portion located at each of the first and second ends of the side panels.
7. The reusable plastic container of clause 2 wherein at least one fold line includes a scored portion located at each of the first and second ends of the end panels.
8. The reusable plastic container of clause 1 wherein the plastic container body and the top and bottom side and end panel flaps are formed from a plastic corrugated blank, and the at least one scored portion is formed by crushing the blank.
9. The reusable plastic container of clause 1 wherein the at least one scored portion includes serrations.
10. The reusable plastic container of clause 1 wherein the plastic container body and the top and bottom side and end panel flaps are formed from a plastic corrugated blank, the blank having first and second

layers, and the at least one welded portion is formed by welding such that first and second layers are welded together.

11. A reusable plastic container comprising:
 a plastic container body having a first side wall, a second side wall, a first end wall and a second end wall;
 a first top panel connected to the first side wall by a first fold line, the first fold line having a first scored portion and a first welded portion.
12. The container of clause 11 further comprising a second scored portion in the first fold line.
13. The container of clause 11 further comprising a second welded portion in the first fold line.
14. The container of clause 11 wherein the container body further comprises a first bottom flap connected to the first side wall by a second fold line, the second fold line having a first scored portion and a first welded portion.
15. The container of clause 11 wherein the container body is formed from a single sheet of corrugated plastic.
16. The container of clause 11 wherein a first edge of the sheet includes a smooth rounded edge.
17. The container of clause 11 wherein each of the second side wall, first end wall and second end wall include a top flap connected by a fold line and a bottom flap connected by a fold line.
18. The container of clause 11 wherein each of the fold lines connecting the top flaps and bottom flaps to the second side wall, first end wall and second end wall have a first scored portion and a first welded portion.
19. The container of clause 11 wherein each of the fold lines connecting the top flaps and bottom flaps to the second side wall, first end wall and second end wall have a second scored portion and a second welded portion.
20. A blank for a reusable plastic container, the blank comprising:
 a first end panel having first and second ends and top and bottom portions;
 a first side panel having first and second ends and top and bottom portions, the first end of the first side panel attached to the second end of the first end panel;

a second end panel having first and second ends and top and bottom portions, the first end of the second end panel attached to the second end of the first side panel;

a second side panel having first and second ends and top and bottom portions, the first end of the second side panel attached to the second end of the second end panel;

a top flap attached along top flap fold lines to the top portion of each of the first and second end panels, and first and second side panels;

a bottom flap attached along bottom flap fold lines to the bottom portion of each of the first and second end panels, and first and second side panels; and

at least one of the top and bottom flap fold lines including at least one welded portion and at least one scored portion.

21. The blank of clause 20 further including a tab attached to the second end of the second side panel, and a cutout in the first end of the first end panel, the tab adapted to engage with the cutout such that when engaged the tab and cutout form a connection between the first end panel and second side panel such that the such panels are substantially coplanar.

22. The blank of clause 20 wherein the at least one scored portion includes a scored portion located at each of the first and second ends of the side panels.

23. The blank of clause 20 wherein the at least one scored portion includes a scored portion located at each of the first and second ends of the end panels.

24. The blank of clause 20 wherein the first and second end panels, the first and second side panels, and the top and bottom side and end panel flaps are formed from a plastic corrugated blank.

25. The blank of clause 20 wherein at least one fold line includes more than one scored portion.

26. The blank of clause 20 wherein at least one fold line includes more than one welded portion.

27. The blank of clause 20 wherein the at least one scored portion is formed by crushing the blank.

28. The blank of clause 20 wherein the at least one scored portion includes serrations.

29. The blank of clause 20 wherein the blank has first and second layers, and the at least one welded portion is formed by welding such that first and second layers are welded together.

30. An apparatus for making a reusable plastic con-

tainer from a blank, the apparatus comprising:

a bottom platen;

a top platen;

at least one of the top or bottom platens including a rule having at least one score forming portion for forming at least one scored portion of a fold line in the blank; and

the rule also having at least one weld forming portion for forming at least one welded portion of a fold line in the blank.

31. The apparatus of clause 30 wherein the at least one score forming portion includes serrations.

32. The apparatus of clause 30 wherein the at least one score forming portion is recessed from the at least one weld forming portion.

33. The apparatus of clause 30 wherein the rule is heated to a temperature sufficient to form the at least one welded portion.

34. The apparatus of clause 30 wherein the at least one score forming portion includes more than one score forming portion.

35. The apparatus of clause 30 wherein the at least one weld forming portion includes more than one weld forming portion.

36. A method for making a reusable plastic container, the method comprising the steps of:

providing a plastic corrugated blank; and

creating a fold line in the blank, the fold line including at least one scored portion and at least one welded portion.

37. The method of clause 36 wherein the fold line includes more than one scored portion.

38. The method of clause 36 wherein the fold line includes more than one welded portion.

39. The method of clause 36 wherein the at least one scored portion includes serrations.

40. The method of clause 36 wherein the at least one scored portion is formed by crushing the blank.

41. The method of clause 36, wherein the blank has first and second layers, and the at least one welded portion is formed by welding such that first and second layers are welded together.

42. A fold line for a plastic corrugated container, the fold line comprising:

at least one scored portion; and
at least one welded portion.

43. The fold line of clause 42, wherein the fold line includes more than one scored portion.

44. The fold line of clause 42 wherein the fold line includes more than one welded portion.

45. The fold line of clause 42 wherein the at least one scored portion includes serrations.

46. The fold line of clause 42 wherein the plastic container body and the top and bottom side and end panel flaps are formed from a plastic corrugated blank, and the at least one scored portion is formed by crushing the blank.

47. The fold line of clause 42 wherein the plastic container body and the top and bottom side and end panel flaps are formed from a plastic corrugated blank, the blank having first and second layers, and the at least one welded portion is formed by welding such that first and second layers are welded together.

Claims

1. A plastic corrugated container comprising:

a plurality of plastic corrugated panels for forming a container body, each panel having a first planar layer, a second planar layer and a plurality of parallel flutes disposed therebetween extending from a first end of the panel to an opposing second end of the panel;
a first smooth and arcuate sealed surface formed at a first edge across the plurality of parallel flutes of at least one panel of the plurality of panels proximate the first end of the at least one panel.

2. The plastic corrugated container of claim 1 wherein the first sealed surface has a generally C-shaped cross-section.

3. The plastic corrugated container of claim 1 further comprising a second smooth and arcuate sealed surface formed at a second edge across the plurality of parallel flutes of the at least one panel of the plurality of panels proximate the second end of the at least one panel.

4. The plastic corrugated container of claim 1 wherein the plurality of panels are integrally connected.

5. The plastic corrugated container of claim 3 wherein

the at least one panel includes a lower bottom flap portion and wherein the first edge is part of the bottom flap portion.

6. The plastic corrugated container of claim 5 wherein the lower bottom flap portion is connected to a wall panel portion of the at least one panel by a fold line.

7. The plastic corrugated container of claim 6 wherein the at least one panel includes an upper top flap portion and wherein the second edge is part of the top flap portion.

8. The plastic corrugated container of claim 7 wherein the upper top flap portion is connected to the wall panel portion of the at least one panel by a fold line.

9. The plastic corrugated container of claim 8 wherein each of the plurality of panels includes a lower bottom flap portion having a smooth and arcuate sealed edge across the plurality of parallel flutes of each panel.

10. The plastic corrugated container of claim 9 wherein each of the plurality of panels includes an upper top flap portion having a smooth and arcuate sealed edge across the plurality of parallel flutes of each panel.

11. The plastic corrugated container of claim 10 wherein the container is a four sided box.

12. A method for forming a plastic corrugated box with smooth and arcuate edges comprising:

providing a generally rectangular sheet of corrugated plastic material having a first planar plastic layer, a second planar plastic layer and a plurality of plastic flutes disposed therebetween;

forming a plurality of fold lines in the sheet defining side walls of the box;

forming a plurality of score lines in the sheet defining bottom flaps connected to a bottom portion of each of the side walls, each of the bottom flaps having an open edge across a portion of the plurality of flutes; and,

contacting the open edge of each of the bottom flaps with a heated sealing bar having a generally C-shaped section and melting the edge to form a smooth arcuate sealed surface.

13. The method of claim 12 further comprising the step of:

contacting an open edge along a top portion of each side wall with a heated sealing bar having a generally C-shaped section and melting the

edge to form a smooth arcuate sealed surface.

14. The method of claim 12 further comprising the step of:

5

forming a plurality of score lines in the sheet defining top flaps connected to a top portion of each of the side walls, each of the top flaps having an open edge across a portion of the plurality of flutes.

10

15. The method of claim 14 further comprising the step of:

15

contacting the open edge of each of the top flaps with a heated sealing bar having a generally C-shaped section and melting the edge to form a smooth arcuate sealed surface; and folding the sheet of material into a box shape.

20

25

30

35

40

45

50

55

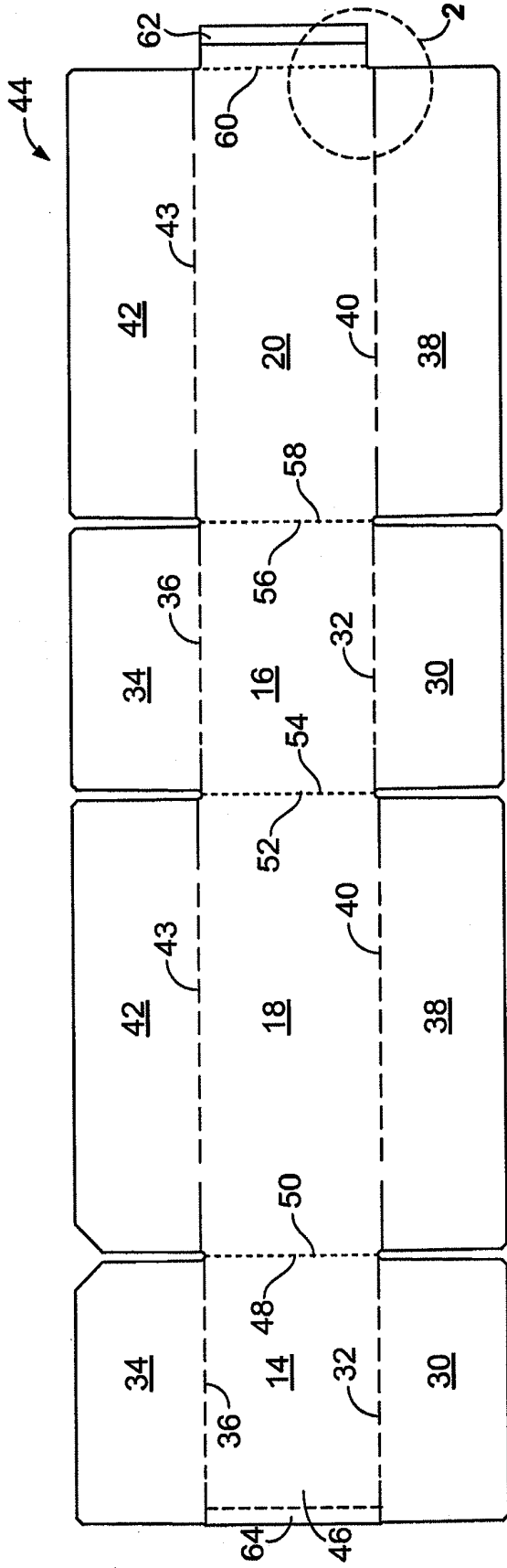


FIG. 1

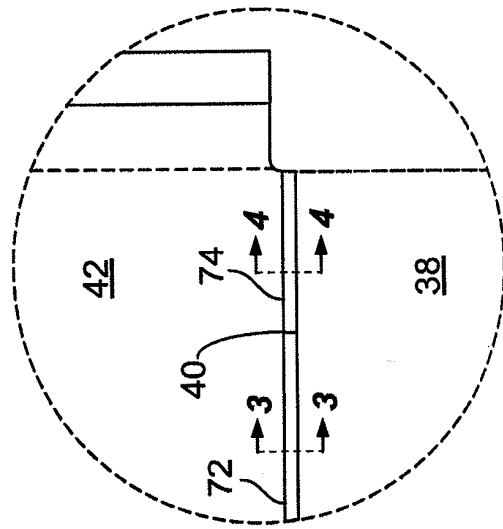


FIG. 2

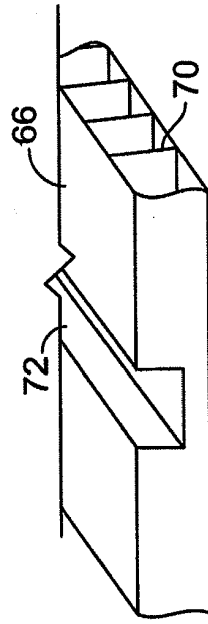


FIG. 3

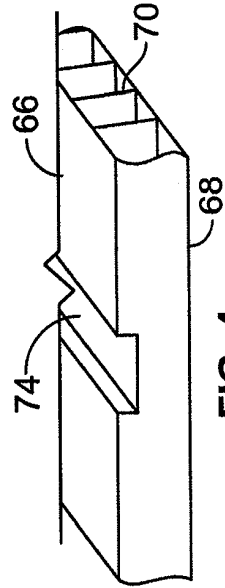


FIG. 4

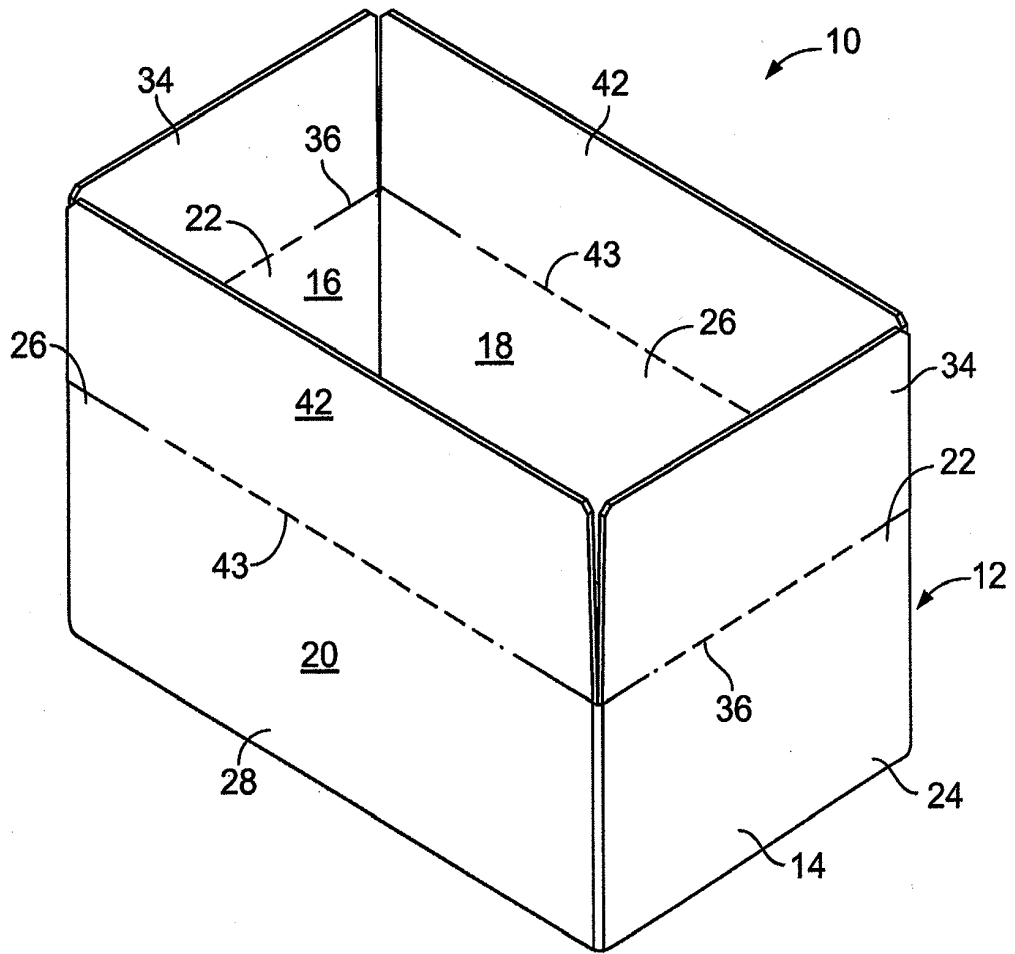


FIG. 5

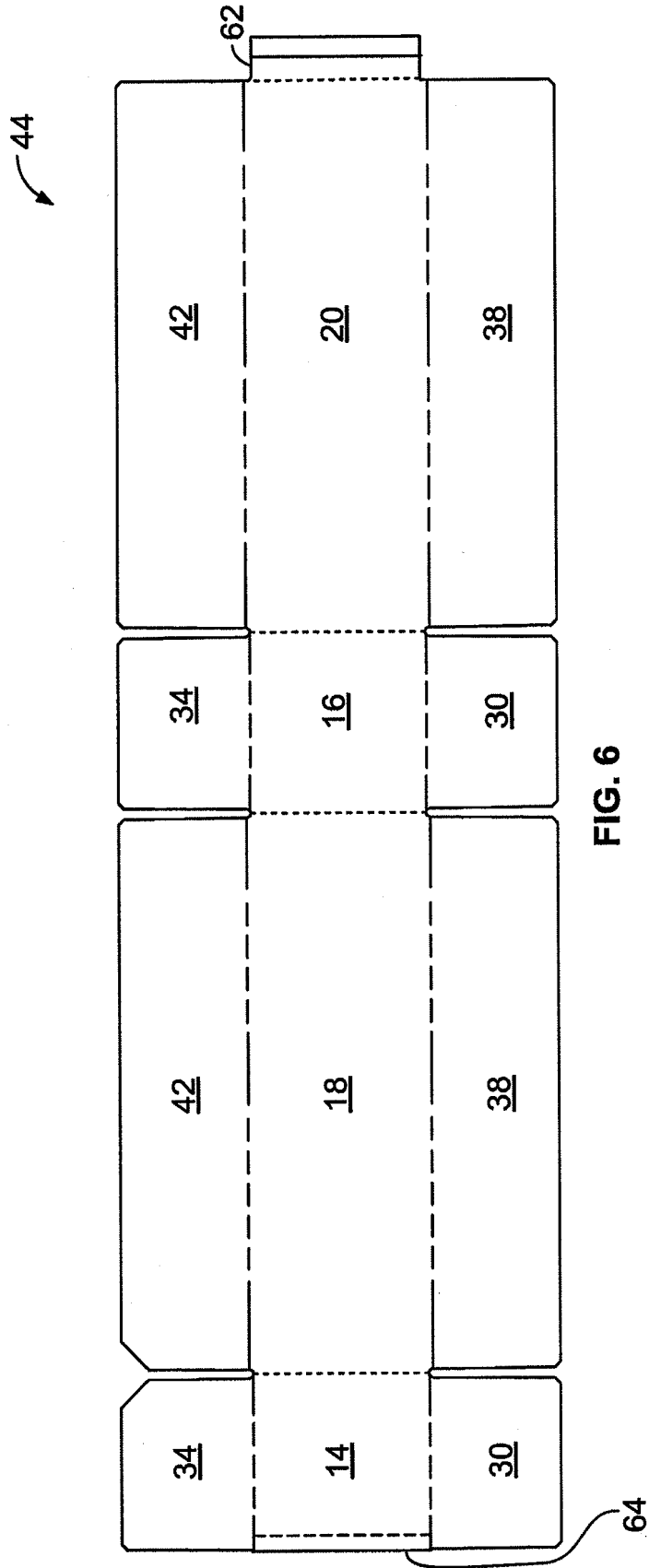


FIG. 6

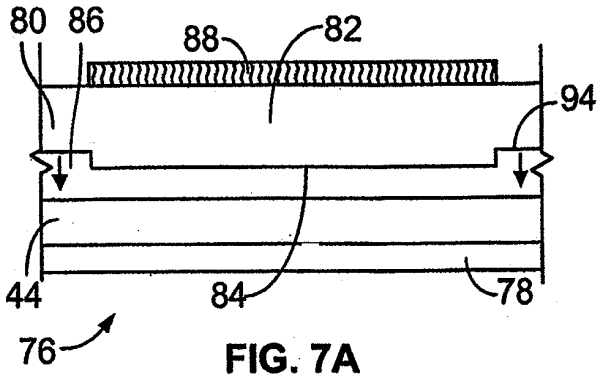


FIG. 7A

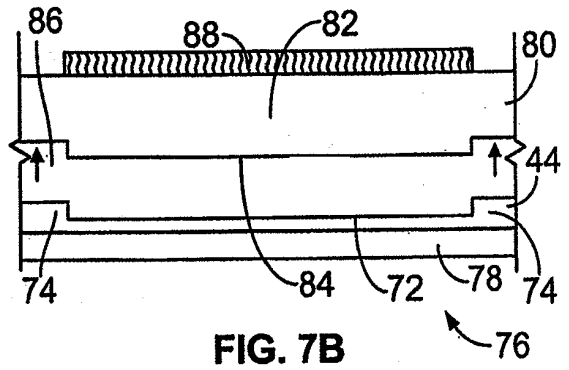


FIG. 7B

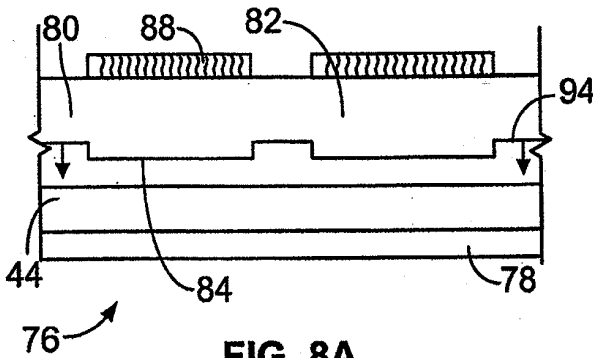


FIG. 8A

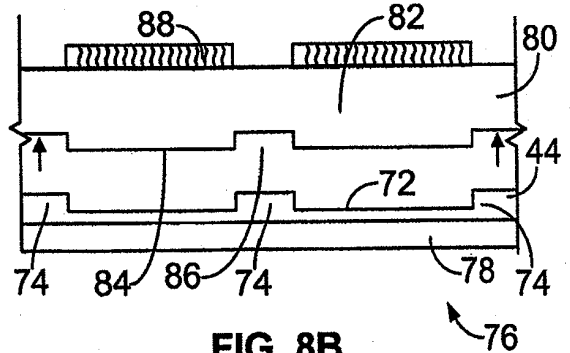


FIG. 8B

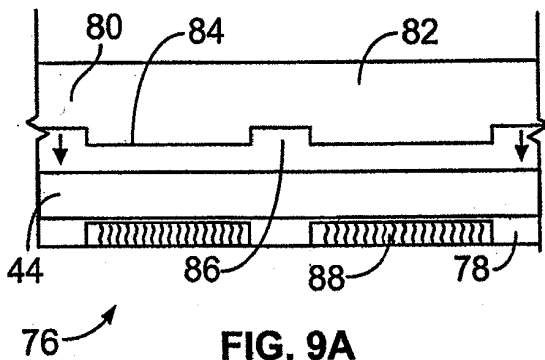


FIG. 9A

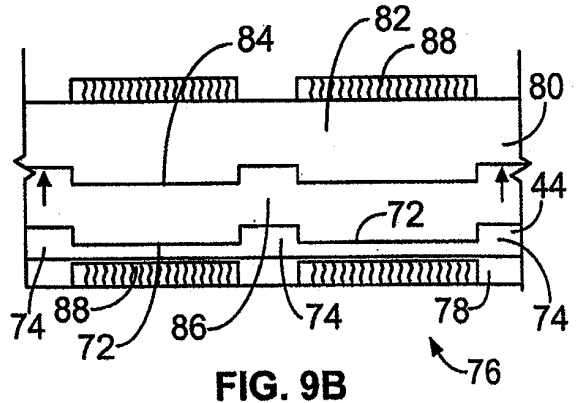


FIG. 9B

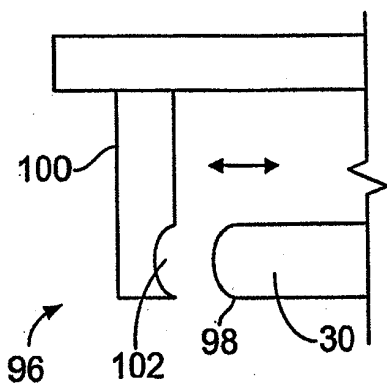


FIG. 10

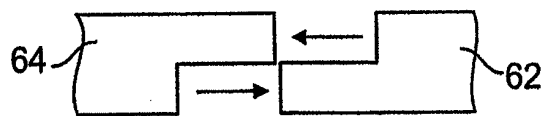


FIG. 11A

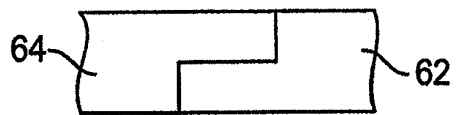


FIG. 11B

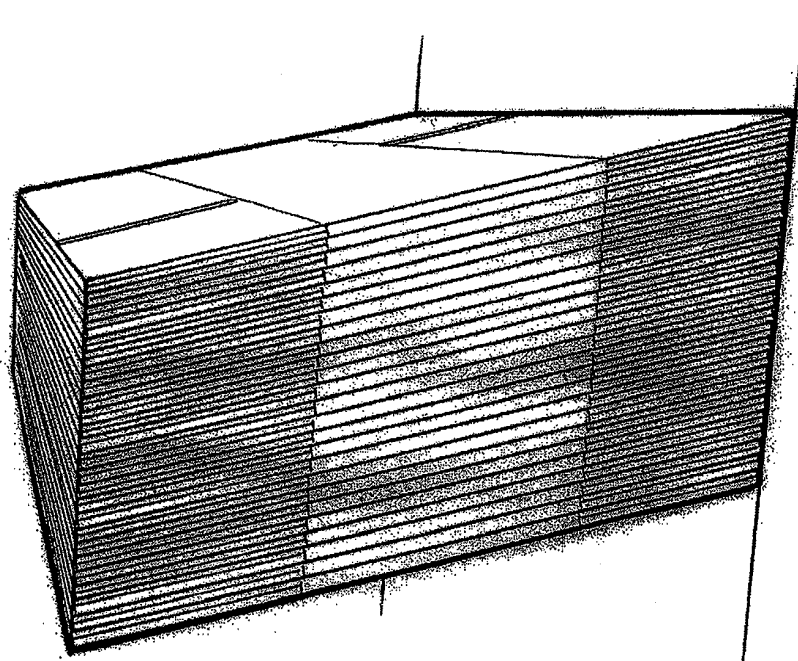


FIG. 12

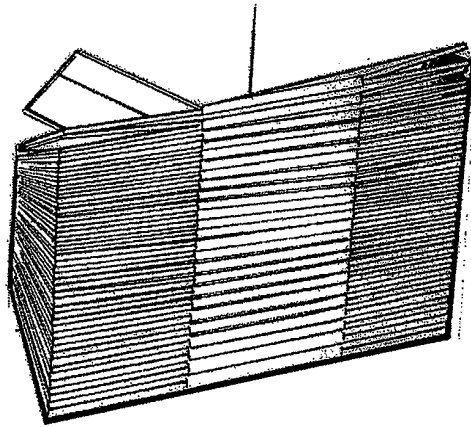


FIG. 13



EUROPEAN SEARCH REPORT

Application Number
EP 16 20 4728

5

10

15

20

25

30

35

40

45

50

55

DOCUMENTS CONSIDERED TO BE RELEVANT			
Category	Citation of document with indication, where appropriate, of relevant passages	Relevant to claim	CLASSIFICATION OF THE APPLICATION (IPC)
Y	US 2002/011513 A1 (DOWD FRED [US]) 31 January 2002 (2002-01-31) * paragraph [0030] - paragraph [0035]; figures 1-3,6,7,11 * -----	1-15	INV. B65D5/42 B65D65/40 B29C67/00 B29C65/00 B29C65/18 B29L31/00
Y	US 5 384 002 A (LEATHERMAN ALFRED F [US] ET AL) 24 January 1995 (1995-01-24) * column 1, line 8 - line 4; figures 1-3,6,7,12 * * column 1, line 24 - line 28 * * column 1, line 33 - line 37 * * column 5, line 23 - line 24 * * column 7, line 28 - line 31 * -----	1-15	
			TECHNICAL FIELDS SEARCHED (IPC)
			B65D B31B B29C
The present search report has been drawn up for all claims			
Place of search The Hague		Date of completion of the search 25 January 2017	Examiner Sundell, 011i
CATEGORY OF CITED DOCUMENTS X : particularly relevant if taken alone Y : particularly relevant if combined with another document of the same category A : technological background O : non-written disclosure P : intermediate document		T : theory or principle underlying the invention E : earlier patent document, but published on, or after the filing date D : document cited in the application L : document cited for other reasons & : member of the same patent family, corresponding document	

1
EPO FORM 1503 08.82 (P04001)

**ANNEX TO THE EUROPEAN SEARCH REPORT
ON EUROPEAN PATENT APPLICATION NO.**

EP 16 20 4728

5

This annex lists the patent family members relating to the patent documents cited in the above-mentioned European search report. The members are as contained in the European Patent Office EDP file on The European Patent Office is in no way liable for these particulars which are merely given for the purpose of information.

25-01-2017

10

Patent document cited in search report	Publication date	Patent family member(s)	Publication date
US 2002011513 A1	31-01-2002	NONE	

US 5384002 A	24-01-1995	AU 2627792 A	22-04-1993
		CA 2079840 A1	16-04-1993
		EP 0537753 A1	21-04-1993
		JP H07214670 A	15-08-1995
		US 5384002 A	24-01-1995

15

20

25

30

35

40

45

50

55

EPO FORM P0459

For more details about this annex : see Official Journal of the European Patent Office, No. 12/82

REFERENCES CITED IN THE DESCRIPTION

This list of references cited by the applicant is for the reader's convenience only. It does not form part of the European patent document. Even though great care has been taken in compiling the references, errors or omissions cannot be excluded and the EPO disclaims all liability in this regard.

Patent documents cited in the description

- US 27301911 A [0001]
- US 7886503 B, Chase [0006]

摘要

本发明提供了一种可重复使用的塑料箱（10）。该箱包括具有相对的侧板（18，20）和相对的端板（14，16）的塑料箱体（12）。该箱体还包括连接至每个侧板的顶部的顶侧板翼片（42）和连接至每个侧板的底部的底侧板翼片（38）。箱体具有连接至每个端板的顶部的顶端翼片（34）和连接至每个端板的底部的底端翼片（30）。通过折线（40，43），顶侧板翼片和底侧板翼片各自相对于侧板限定。翼片由瓦楞材料制成，该瓦楞材料在起皱区域（70）上具有光滑的密封边缘（98）。