



US00D970477S

(12) **United States Design Patent**
Lee

(10) **Patent No.:** **US D970,477 S**

(45) **Date of Patent:** **** Nov. 22, 2022**

(54) **EARPHONE PROTECTIVE COVER**

Primary Examiner — Paula Allen Greene

(71) Applicant: **ELAGO CO. LTD**, Goyang-si (KR)

(74) *Attorney, Agent, or Firm* — Paratus Law Group, PLLC

(72) Inventor: **Chanwoo Lee**, Goyang-si (KR)

(73) Assignee: **elago CO. LTD**, Goyang-si (KR)

(57) **CLAIM**

(**) Term: **15 Years**

The ornamental design for an earphone protective cover, as shown and described.

(21) Appl. No.: **29/817,139**

(22) Filed: **Nov. 29, 2021**

(51) **LOC (13) Cl.** **14-01**

(52) **U.S. Cl.**

USPC **D14/223**

(58) **Field of Classification Search**

USPC D14/223, 205, 192, 217; D24/106, 174;
128/864-866; 381/380-381, 373, 328,
381/322, 321; 379/420.02-420.03

CPC H04R 1/10; H04R 25/00; H04R 1/1016;
H04R 1/1066; H04R 5/033; H04R
5/0335; H04R 1/008; H04R 1/1091;
H04R 1/105; H04R 1/1058; H04R 25/02;
A61F 11/08

See application file for complete search history.

DESCRIPTION

FIG. 1 is a front, top, and left perspective view of a left earphone protective cover, showing my new design; FIG. 2 is a front view of the left earphone protective cover; FIG. 3 is a back view of the left earphone protective cover; FIG. 4 is a left side view of the left earphone protective cover; FIG. 5 is a right view of the left earphone protective cover; FIG. 6 is a top view of the left earphone protective cover; FIG. 7 is a bottom view of the left earphone protective cover; FIG. 8 is a back, top, and left perspective view of the left earphone protective cover; FIG. 9 is a front, top, and left perspective view of a right earphone protective cover, showing my new design; FIG. 10 is a front view of the right earphone protective cover; FIG. 11 is a back view of the right earphone protective cover; FIG. 12 is a left side view of the right earphone protective cover; FIG. 13 is a right view of the right earphone protective cover; FIG. 14 is a top view of the right earphone protective cover; FIG. 15 is a bottom view of the right earphone protective cover; and, FIG. 16 is a front, top, and left perspective view of the right earphone protective cover.

(56) **References Cited**

U.S. PATENT DOCUMENTS

1,893,473 A * 1/1933 Hueber F02M 37/12
92/132
D259,279 S * 5/1981 Takeda D24/174
D373,183 S * 8/1996 Beyer D23/366
5,920,911 A * 7/1999 Cushman A61F 11/14
181/129

(Continued)

FOREIGN PATENT DOCUMENTS

CN 3451082 6/2005
CN 303207438 * 5/2015

(Continued)

1 Claim, 16 Drawing Sheets

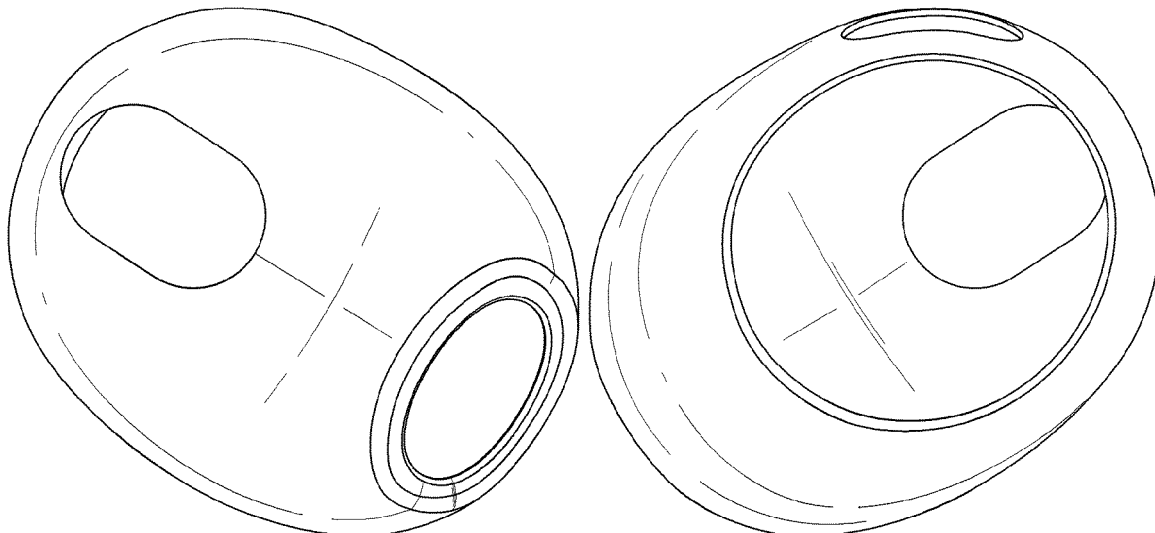


FIG. 1

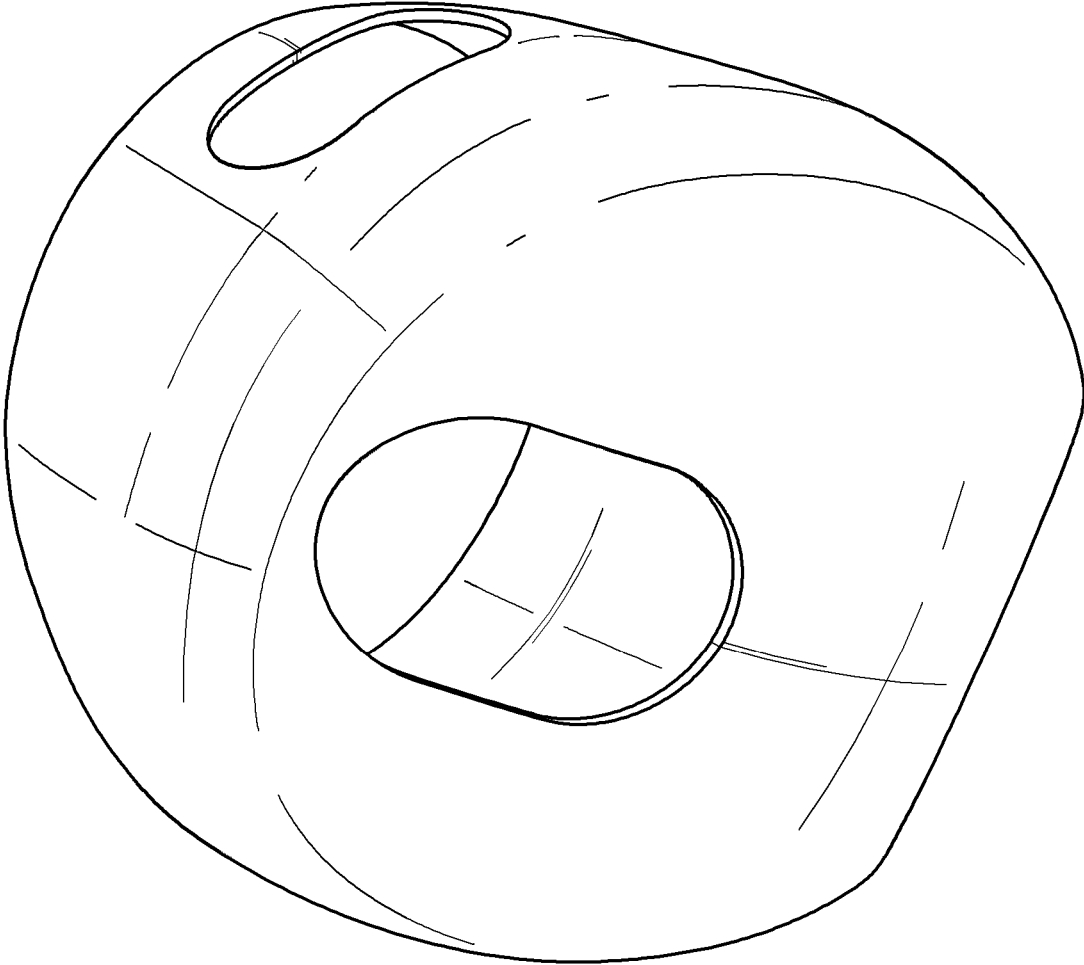


FIG. 2

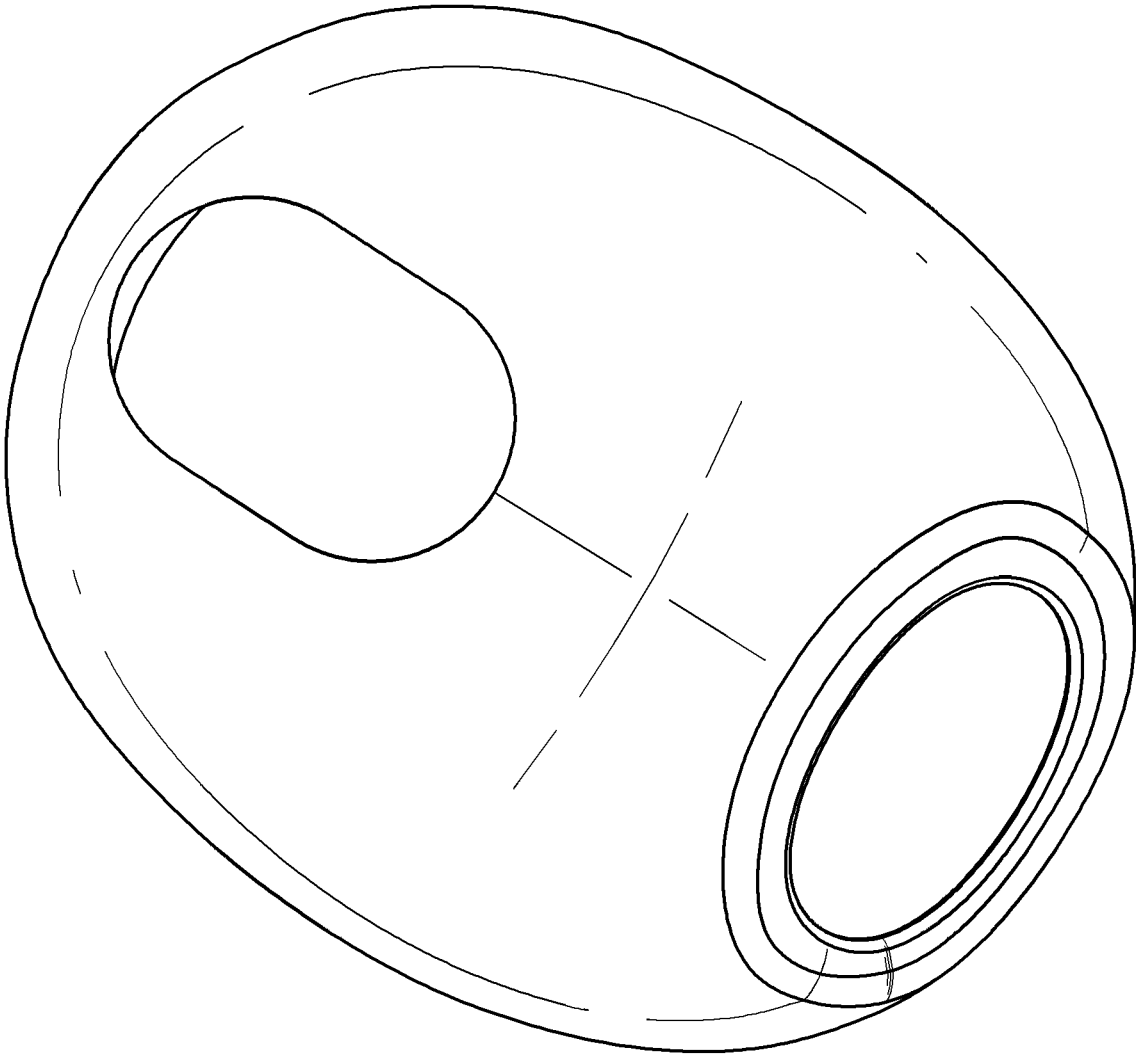


FIG. 3

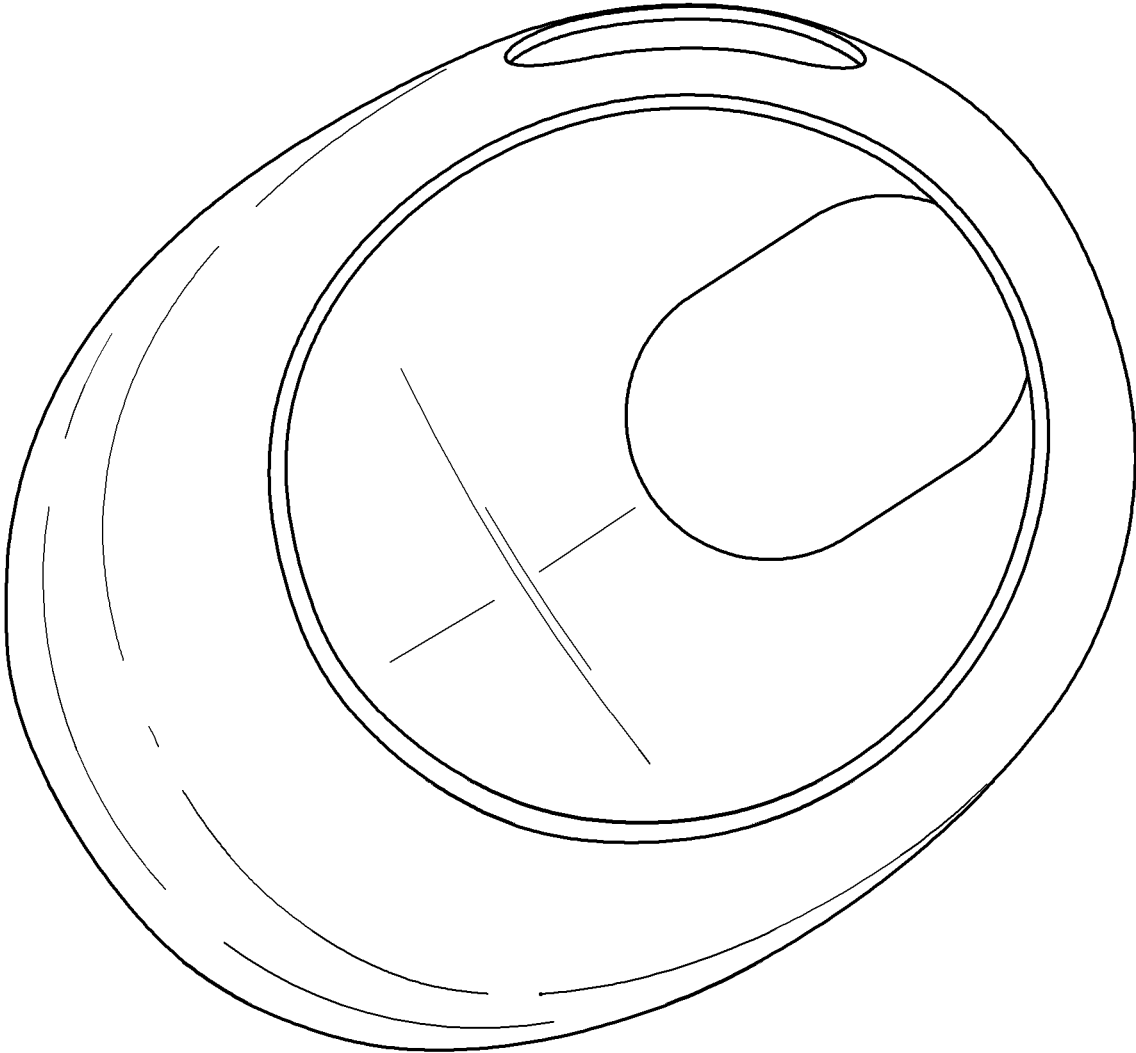


FIG. 4

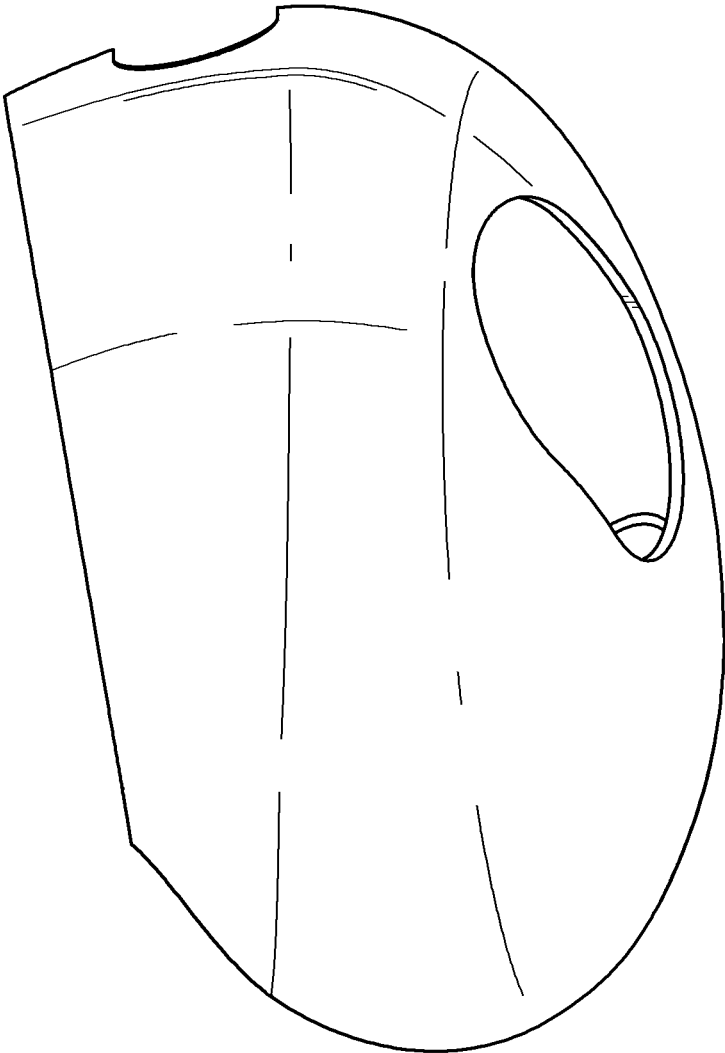


FIG. 5

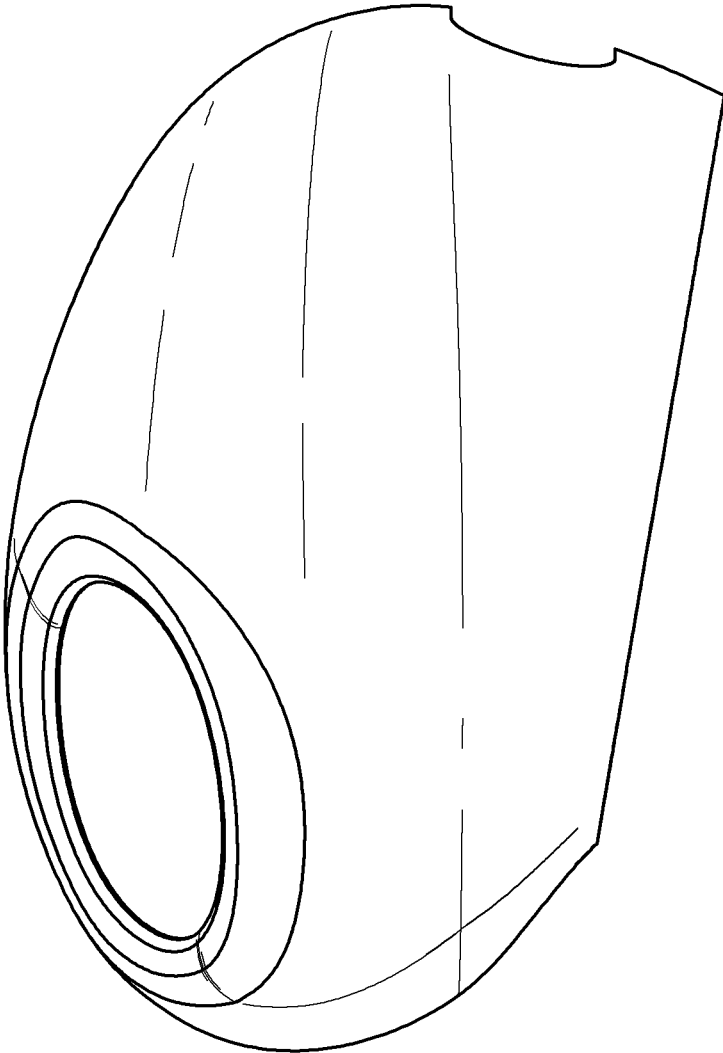


FIG. 6

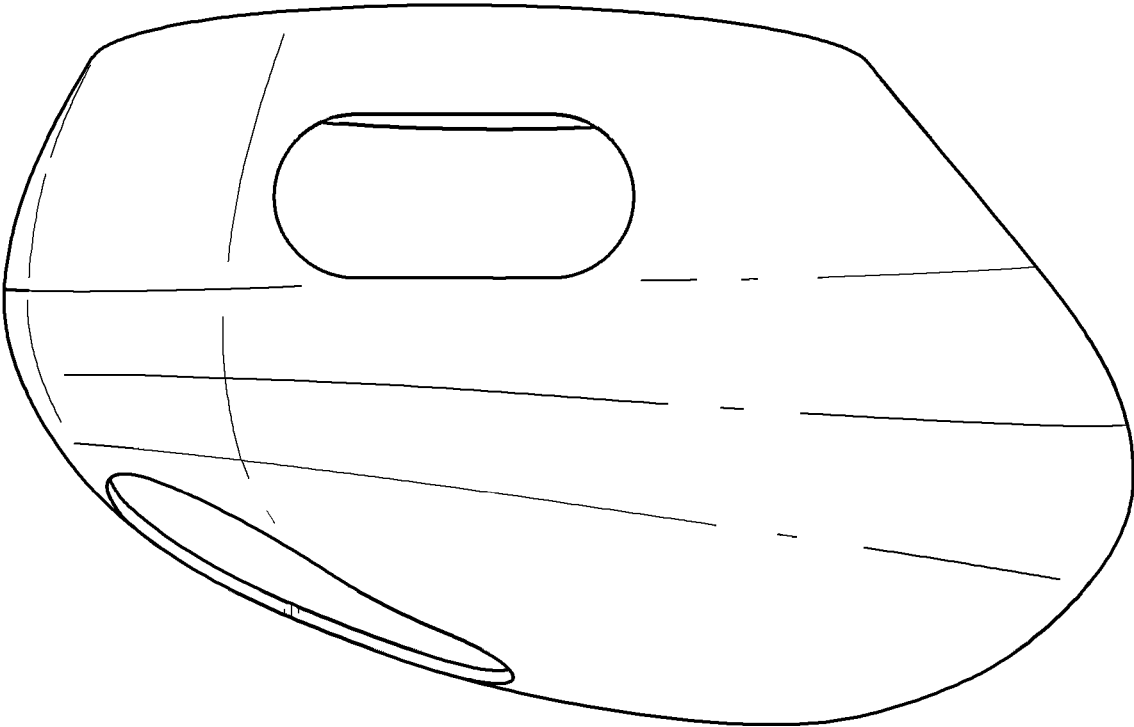


FIG. 7

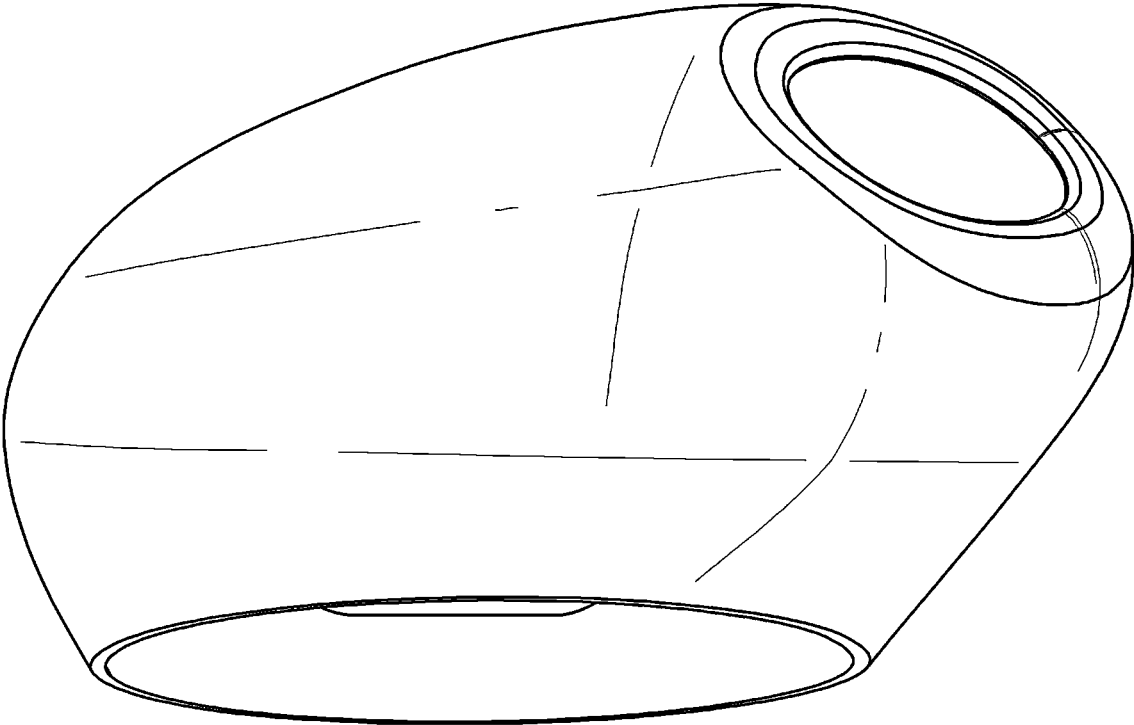


FIG. 8

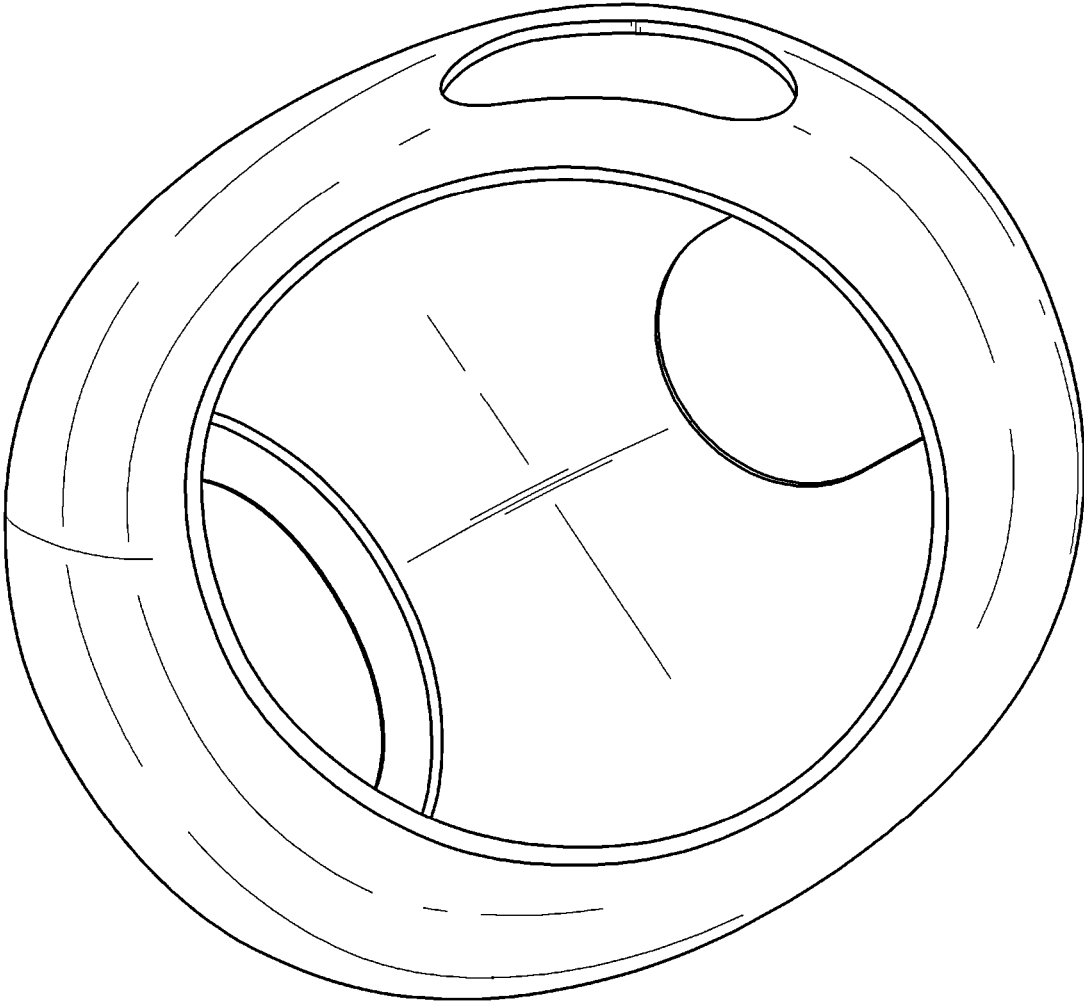


FIG. 9

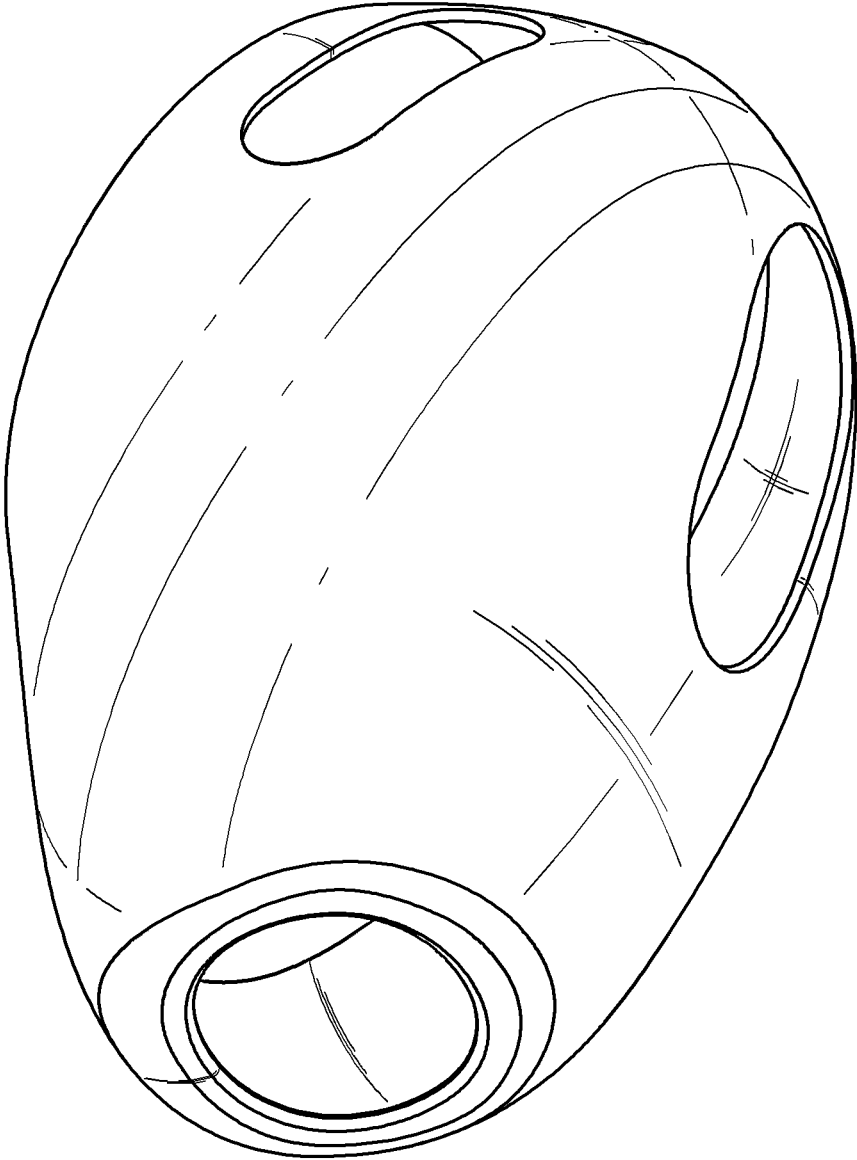


FIG. 10

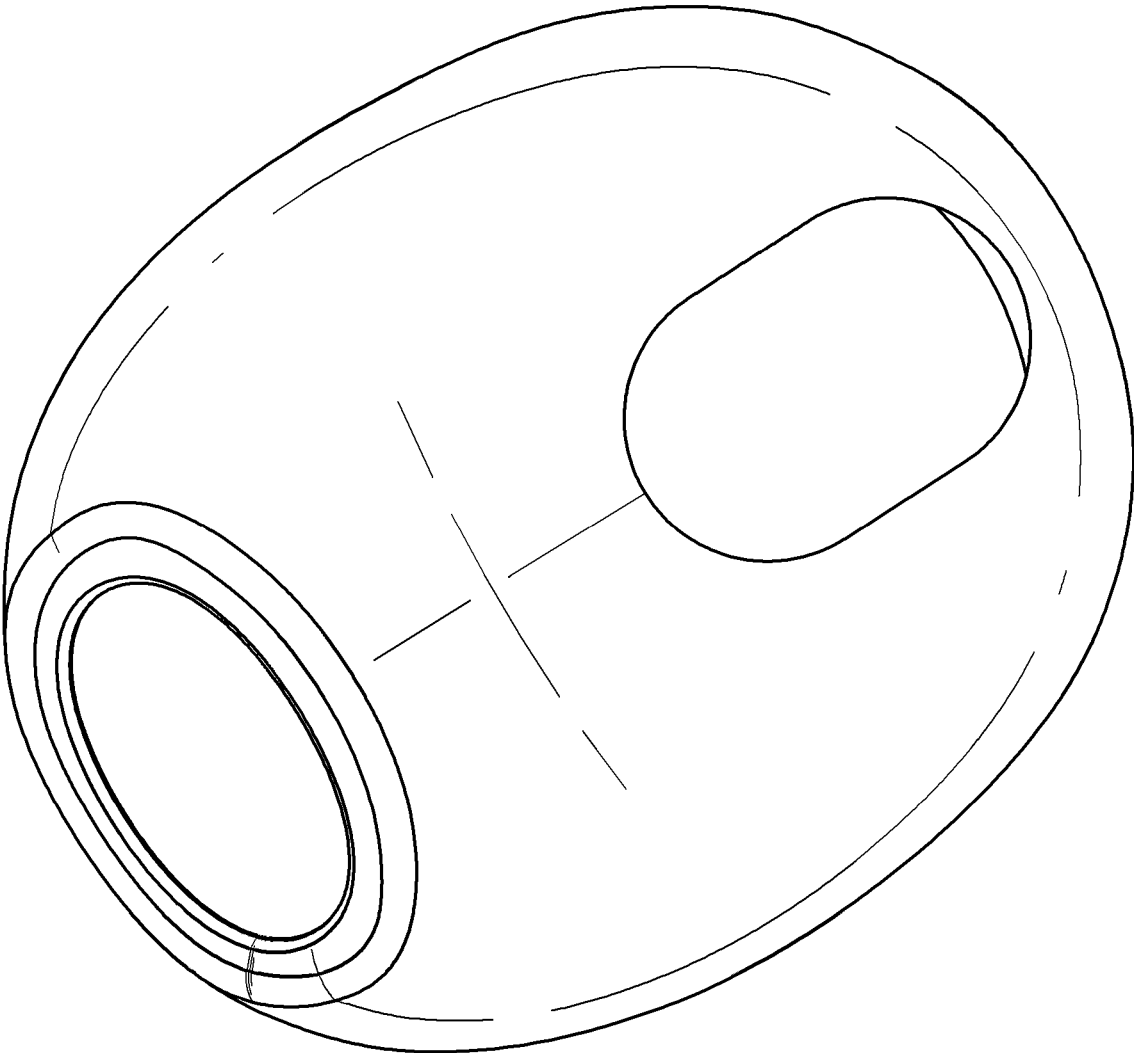


FIG. 11

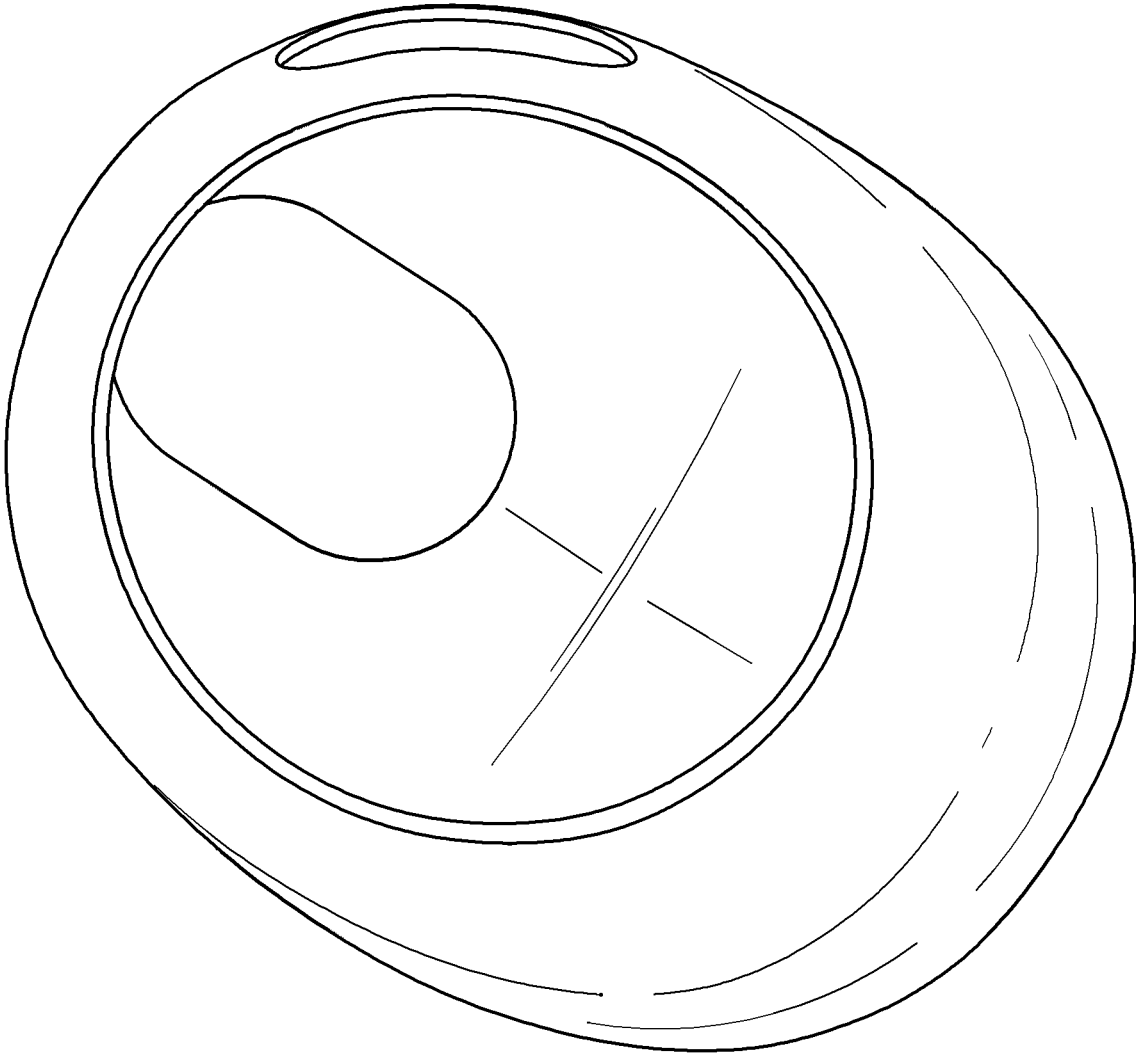


FIG. 12

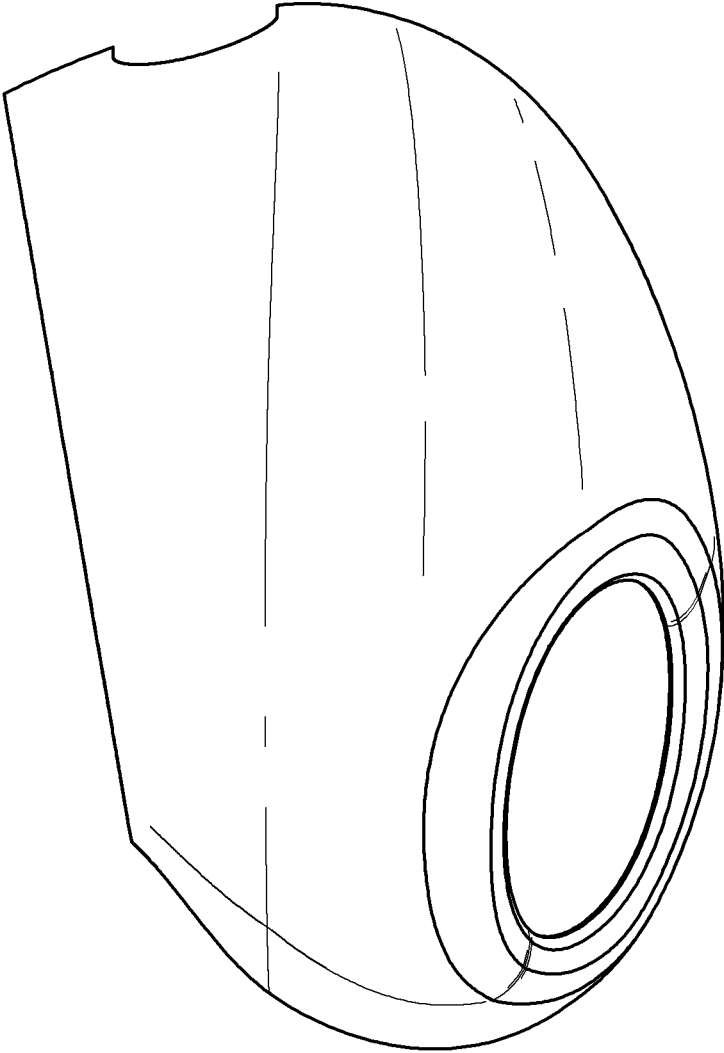


FIG. 13

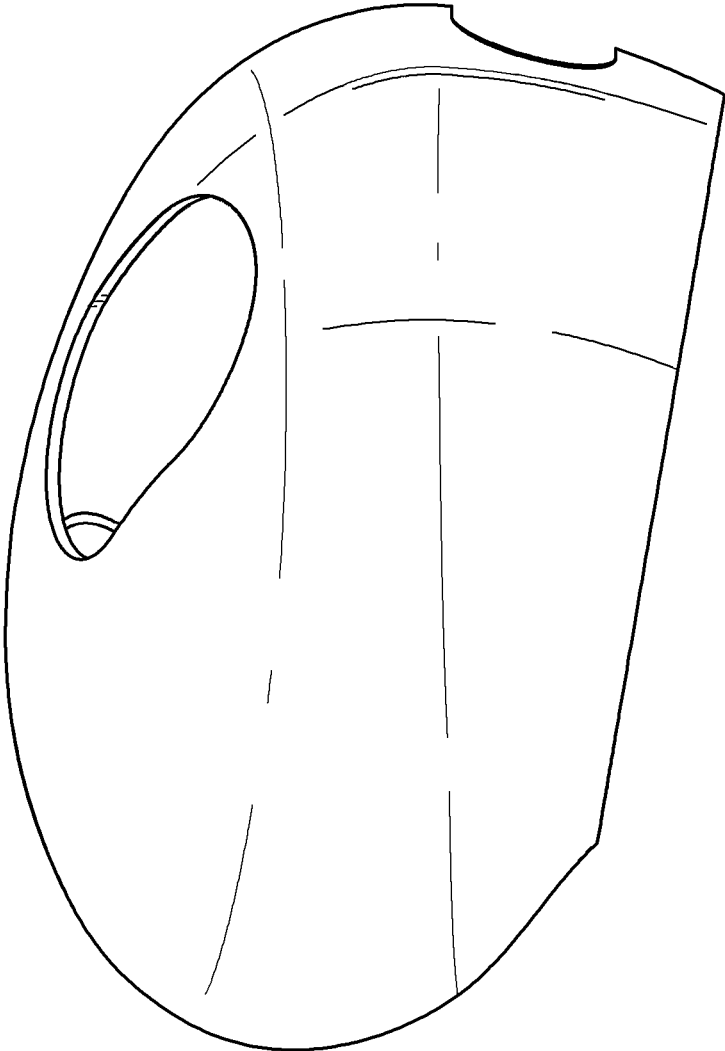


FIG. 14

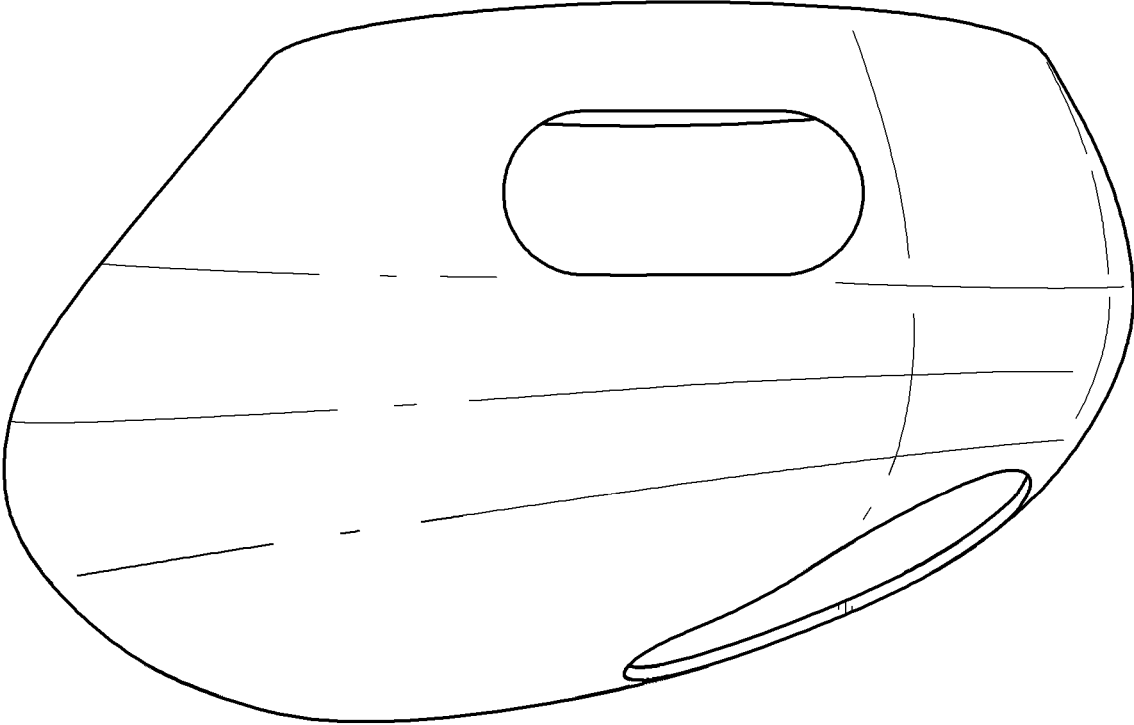


FIG. 15

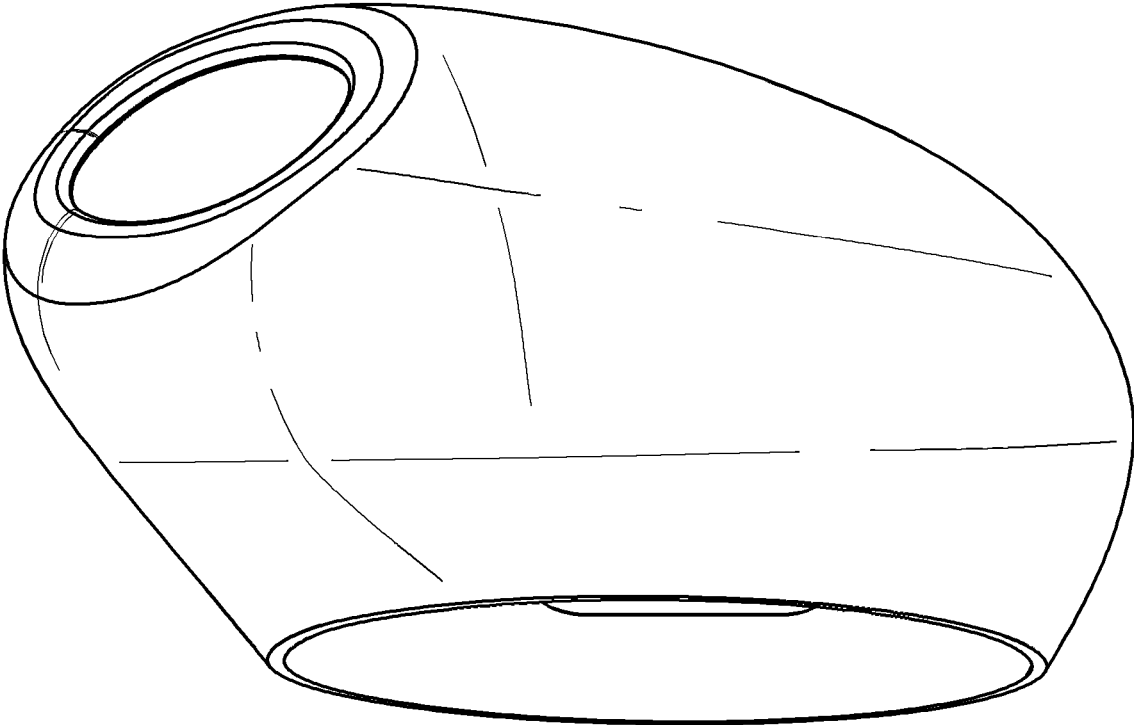


FIG. 16

