



(51) International Patent Classification:
C10L 9/08 (2006.01)

(21) International Application Number:
PCT/SE2012/050527

(22) International Filing Date:
16 May 2012 (16.05.2012)

(25) Filing Language: English

(26) Publication Language: English

(30) Priority Data:
1150463-6 18 May 2011 (18.05.2011) SE

(71) Applicant (for all designated States except US):
BIOENDEV AB [SE/SE]; c/o Umeå Energi AB, Box 224,
S-901 05 Umeå (SE).

(72) Inventors; and

(75) Inventors/Applicants (for US only): OLOFSSON, Inge-
mar [SE/SE]; Degernäs 315, S-905 80 Umeå (SE).
NORDWAEGER, Martin [SE/SE]; Vargvägen 27A, S-
906 42 Umeå (SE). HÅKANSSON, Katarina [SE/SE];

Kalkkällvägen 8, S-914 32 Nordmaling (SE). NORDIN,
Anders [SE/SE]; Nymfens väg 39, S-907 52 Umeå (SE).
POMMER, Linda [SE/SE]; Nymfens väg 39, S-907 52
Umeå (SE).

(74) Agent: KRANSELL & WENNBORG KB; P.O. Box
27834, S-115 93 Stockholm (SE).

(81) Designated States (unless otherwise indicated, for every
kind of national protection available): AE, AG, AL, AM,
AO, AT, AU, AZ, BA, BB, BG, BH, BR, BW, BY, BZ,
CA, CH, CL, CN, CO, CR, CU, CZ, DE, DK, DM, DO,
DZ, EC, EE, EG, ES, FI, GB, GD, GE, GH, GM, GT, HN,
HR, HU, ID, IL, IN, IS, JP, KE, KG, KM, KN, KP, KR,
KZ, LA, LC, LK, LR, LS, LT, LU, LY, MA, MD, ME,
MG, MK, MN, MW, MX, MY, MZ, NA, NG, NI, NO, NZ,
OM, PE, PG, PH, PL, PT, QA, RO, RS, RU, RW, SC, SD,
SE, SG, SK, SL, SM, ST, SV, SY, TH, TJ, TM, TN, TR,
TT, TZ, UA, UG, US, UZ, VC, VN, ZA, ZM, ZW.

(84) Designated States (unless otherwise indicated, for every
kind of regional protection available): ARIPO (BW, GH,
GM, KE, LR, LS, MW, MZ, NA, RW, SD, SL, SZ, TZ,

[Continued on next page]

(54) Title: METHOD FOR COOLING AND INCREASING ENERGY YIELD OF A TORREFIED PRODUCT

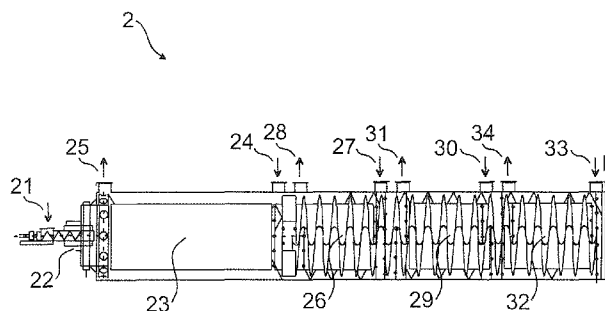


Fig. 2a

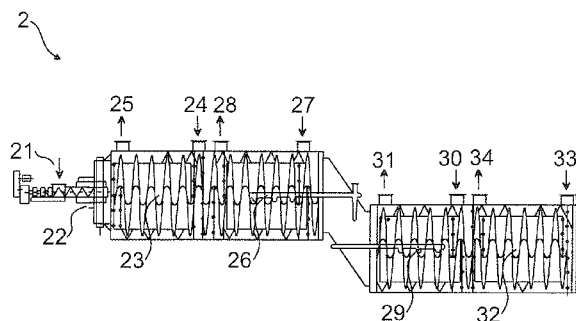


Fig. 2b

(57) Abstract: The invention relates to a method and a sys-
tem for cooling torrefied material, including, applying water to
the torrefied material to quench-cool the material and
thereafter further cooling the torrefied material and at least
part of the torrefaction gases released from the material in a
common cooling device, such that components of the torre-
faction gases condenses on the torrefied material within the
common cooling device.



UG, ZM, ZW), Eurasian (AM, AZ, BY, KG, KZ, RU, TJ, TM), European (AL, AT, BE, BG, CH, CY, CZ, DE, DK, EE, ES, FI, FR, GB, GR, HR, HU, IE, IS, IT, LT, LU, LV, MC, MK, MT, NL, NO, PL, PT, RO, RS, SE, SI, SK, SM, TR), OAPI (BF, BJ, CF, CG, CI, CM, GA, GN, GQ, GW, ML, MR, NE, SN, TD, TG).

Published:

— *with international search report (Art. 21(3))*

(88) Date of publication of the international search report:

14 March 2013

INTERNATIONAL SEARCH REPORT

International application No PCT/SE2012/050527
--

A. CLASSIFICATION OF SUBJECT MATTER INV. C10L9/08 ADD.				
According to International Patent Classification (IPC) or to both national classification and IPC				
B. FIELDS SEARCHED				
Minimum documentation searched (classification system followed by classification symbols) C10L				
Documentation searched other than minimum documentation to the extent that such documents are included in the fields searched				
Electronic data base consulted during the international search (name of data base and, where practicable, search terms used) EPO-Internal				
C. DOCUMENTS CONSIDERED TO BE RELEVANT				
Category*	Citation of document, with indication, where appropriate, of the relevant passages	Relevant to claim No.		
X	WO 2010/129988 A1 (ANTHROTERRA PTY LTD [AU]; JOSEPH STEPHEN DAVID [AU]; FOIDL NIKOLAUS [A] 18 November 2010 (2010-11-18) page 28, lines 1-28; figure 3 page 19, line 32 - page 20, line 11 page 21, lines 18-27; claims -----	1-11		
X	US 2008/263891 A1 (BRUNET ANDRE [CA]) 30 October 2008 (2008-10-30) column 6, lines 43-67 column 10, line 56 - column 11, line 22 -----	1-11		
X,P	EP 2 385 096 A2 (RIVER BASIN ENERGY INC [US]) 9 November 2011 (2011-11-09) paragraphs [0020], [0023], [0036], [0042], [0043], [0048]; claims 1-15; figure 2 -----	1-11		
-/--				
<input checked="" type="checkbox"/> Further documents are listed in the continuation of Box C. <input checked="" type="checkbox"/> See patent family annex.				
* Special categories of cited documents : <table style="width: 100%; border: none;"> <tr> <td style="width: 50%; border: none; vertical-align: top;"> "A" document defining the general state of the art which is not considered to be of particular relevance "E" earlier application or patent but published on or after the international filing date "L" document which may throw doubts on priority claim(s) or which is cited to establish the publication date of another citation or other special reason (as specified) "O" document referring to an oral disclosure, use, exhibition or other means "P" document published prior to the international filing date but later than the priority date claimed </td> <td style="width: 50%; border: none; vertical-align: top;"> "T" later document published after the international filing date or priority date and not in conflict with the application but cited to understand the principle or theory underlying the invention "X" document of particular relevance; the claimed invention cannot be considered novel or cannot be considered to involve an inventive step when the document is taken alone "Y" document of particular relevance; the claimed invention cannot be considered to involve an inventive step when the document is combined with one or more other such documents, such combination being obvious to a person skilled in the art "&" document member of the same patent family </td> </tr> </table>			"A" document defining the general state of the art which is not considered to be of particular relevance "E" earlier application or patent but published on or after the international filing date "L" document which may throw doubts on priority claim(s) or which is cited to establish the publication date of another citation or other special reason (as specified) "O" document referring to an oral disclosure, use, exhibition or other means "P" document published prior to the international filing date but later than the priority date claimed	"T" later document published after the international filing date or priority date and not in conflict with the application but cited to understand the principle or theory underlying the invention "X" document of particular relevance; the claimed invention cannot be considered novel or cannot be considered to involve an inventive step when the document is taken alone "Y" document of particular relevance; the claimed invention cannot be considered to involve an inventive step when the document is combined with one or more other such documents, such combination being obvious to a person skilled in the art "&" document member of the same patent family
"A" document defining the general state of the art which is not considered to be of particular relevance "E" earlier application or patent but published on or after the international filing date "L" document which may throw doubts on priority claim(s) or which is cited to establish the publication date of another citation or other special reason (as specified) "O" document referring to an oral disclosure, use, exhibition or other means "P" document published prior to the international filing date but later than the priority date claimed	"T" later document published after the international filing date or priority date and not in conflict with the application but cited to understand the principle or theory underlying the invention "X" document of particular relevance; the claimed invention cannot be considered novel or cannot be considered to involve an inventive step when the document is taken alone "Y" document of particular relevance; the claimed invention cannot be considered to involve an inventive step when the document is combined with one or more other such documents, such combination being obvious to a person skilled in the art "&" document member of the same patent family			
Date of the actual completion of the international search		Date of mailing of the international search report		
13 December 2012		21/12/2012		
Name and mailing address of the ISA/ European Patent Office, P.B. 5818 Patentlaan 2 NL - 2280 HV Rijswijk Tel. (+31-70) 340-2040, Fax: (+31-70) 340-3016		Authorized officer Bertin, Séverine		

INTERNATIONAL SEARCH REPORT

International application No PCT/SE2012/050527

C(Continuation). DOCUMENTS CONSIDERED TO BE RELEVANT

Category*	Citation of document, with indication, where appropriate, of the relevant passages	Relevant to claim No.
X,P	WO 2011/119470 A1 (BER TECHNOLOGY COMPANY LLC [US]; MONROE JAMES RUSSELL [US]; SCHROEDER) 29 September 2011 (2011-09-29) abstract; claims; figure 4 -----	1-11
X,P	WO 2011/112526 A2 (SHULENBERGER ARTHUR M [US]; WECHSLER MARK [US]) 15 September 2011 (2011-09-15) page 15, line 6 - page 16, line 22; figures 2,3 page 17, lines 12-26 -----	1-11

INTERNATIONAL SEARCH REPORT

Information on patent family members

International application No PCT/SE2012/050527

Patent document cited in search report	A1	Publication date	Patent family member(s)	Publication date
WO 2010129988	A1	18-11-2010	AU 2010246895 A1 CA 2761816 A1 CN 102459509 A EP 2430118 A1 US 2012125064 A1 WO 2010129988 A1	19-01-2012 18-11-2010 16-05-2012 21-03-2012 24-05-2012 18-11-2010

US 2008263891	A1	30-10-2008	CA 2482571 A1 US 2008263891 A1 WO 2006034581 A1	27-03-2006 30-10-2008 06-04-2006

EP 2385096	A2	09-11-2011	EP 2385096 A2 US 2012023813 A1	09-11-2011 02-02-2012

WO 2011119470	A1	29-09-2011	NONE	

WO 2011112526	A2	15-09-2011	CA 2791393 A1 US 2011214343 A1 WO 2011112526 A2	15-09-2011 08-09-2011 15-09-2011
