



US0D1069260S

(12) **United States Design Patent**
Lu

(10) **Patent No.:** **US D1,069,260 S**
(45) **Date of Patent:** **** Apr. 1, 2025**

(54) **BAFFLE FOR BIRD FEEDER POLE**

FOREIGN PATENT DOCUMENTS

(71) Applicant: **Zhiyi Zhang**, Huazhou (CN)

EM 001517459-0023 * 11/2009
GB 6242501 * 12/2022
JP D1766945 * 3/2024

(72) Inventor: **Hao Lu**, Hunan (CN)

(**) Term: **15 Years**

OTHER PUBLICATIONS

(21) Appl. No.: **35/522,148**

Generic: Squirrel Baffle, Posted Jul. 27, 2024 [online], [Retrieved Jan. 13, 2025]. Retrieved from internet, <https://www.amazon.ca/Squirrel-Baffle-Feeder-Shield-Outside/dp/B0DBH96SRG> (Year: 2024).
Woodlink: Metal Wrap Around Bird Feeder Squirrel Baffle Guard, Posted Jan. 1, 2024 [online], [Retrieved Dec. 19, 2024]. Retrieved from internet, <https://www.pay-less.com/p/woodlink-metal-wrap-around-bird-feeder-squirrel-baffle-guard-for-4-x-4-inch-pole/0071503839968> (Year: 2024).*

(22) Filed: **Jul. 31, 2024**

(80) **Hague Agreement Data**

Int. Filing Date: **Jul. 31, 2024**
Int. Reg. No.: **DM/239327**
Int. Reg. Date: **Jul. 31, 2024**
Int. Reg. Pub. Date: **Aug. 30, 2024**

(Continued)

Primary Examiner — Mary Shannon Malley

Assistant Examiner — Jennifer B Salazar

(51) **LOC (15) Cl.** **30-03**

(52) **U.S. Cl.**

USPC **D30/124; D30/199**

(58) **Field of Classification Search**

USPC D30/108, 119, 120, 121, 124, 133, 199;
D6/556; D9/431; D22/120; D25/133
CPC A01K 39/00; A01K 39/0113; A01M 29/30
See application file for complete search history.

(57) **CLAIM**

The ornamental design for a baffle for bird feeder pole as shown and described.

(56) **References Cited**

DESCRIPTION

U.S. PATENT DOCUMENTS

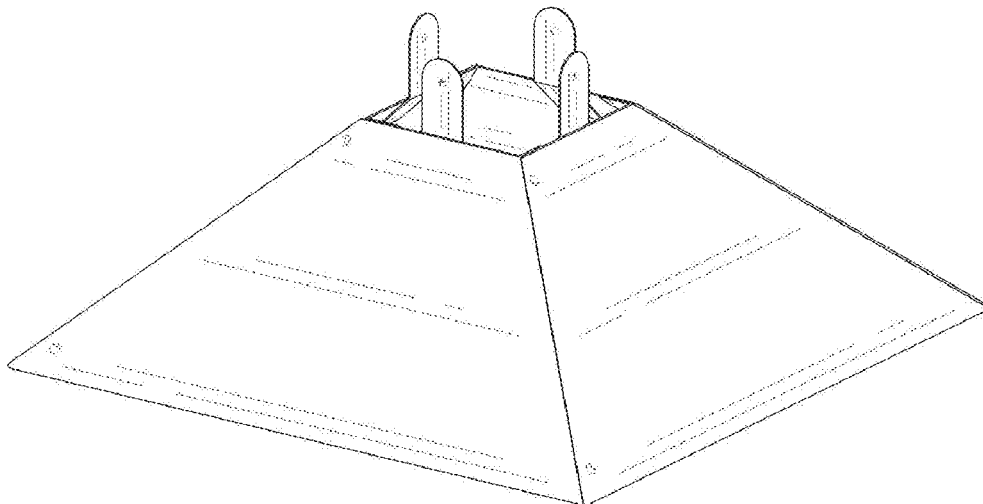
D336,556 S * 6/1993 Payne D30/133
D409,339 S * 5/1999 Silano D30/124
D428,537 S * 7/2000 Miller D30/124
6,098,348 A * 8/2000 Weaver A01K 39/0113
52/745.13
D441,922 S * 5/2001 Nylen D30/124
D669,197 S * 10/2012 Connor D25/133
D682,677 S * 5/2013 Dennin D9/431
D757,372 S * 5/2016 Clinton D30/121
D1,017,928 S * 3/2024 Yang D30/199
D1,052,200 S * 11/2024 Tian D30/199
2007/0266951 A1 * 11/2007 Berns A01K 39/014
119/57.8
2019/0021241 A1 * 1/2019 Streisfeld A01G 13/105
2021/0329907 A1 * 10/2021 Juennemann A01M 29/30

1. Baffle for bird feeder pole

- 1.1 : Perspective
- 1.2 : Perspective
- 1.3 : Front
- 1.4 : Back
- 1.5 : Left
- 1.6 : Right
- 1.7 : Top
- 1.8 : Bottom

The broken lines in the reproductions depict portions of the baffle for bird feeder pole that form no part of the claimed design.

1 Claim, 8 Drawing Sheets



(56)

References Cited

OTHER PUBLICATIONS

Keenso: Squirrel Baffle, Posted Jul. 17, 2023 [online], [Retrieved Dec. 19, 2024]. Retrieved from internet, <https://www.amazon.co.uk/Squirrel-Baffle-House-Outdoor-Feeder/dp/B0CC2SZ95B> (Year: 2023).*

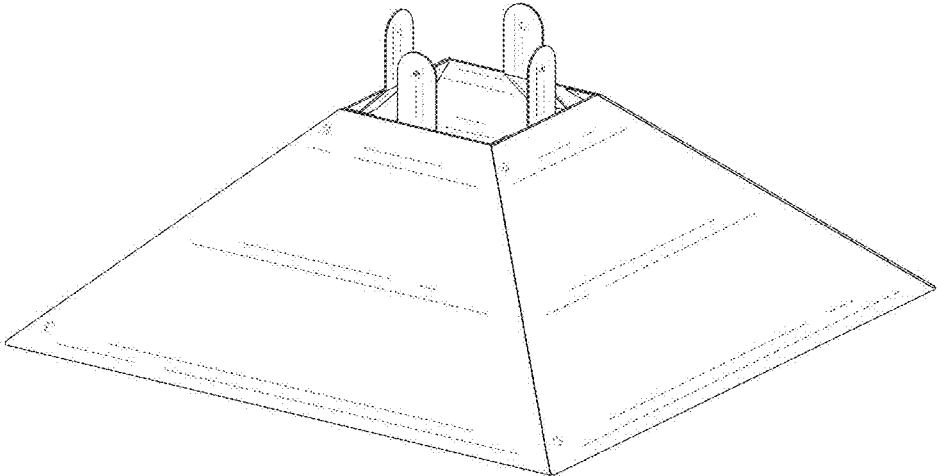
Erva: Post Mounted Squirrel Baffles, Posted May 15, 2019 [online], [Retrieved Dec. 19, 2024]. Retrieved from internet, <https://www.amazon.co.uk/Erva-Mounted-Squirrel-Baffles-23-25/dp/B07GVQ46DV> (Year: 2019).*

Queension, Squirrel Proof Baffles for Bird Feeder Poles, available on May 3, 2024 [online]. Available from Internet, URL: <https://www.amazon.com/dp/B0D38QMFGM?th=1>.

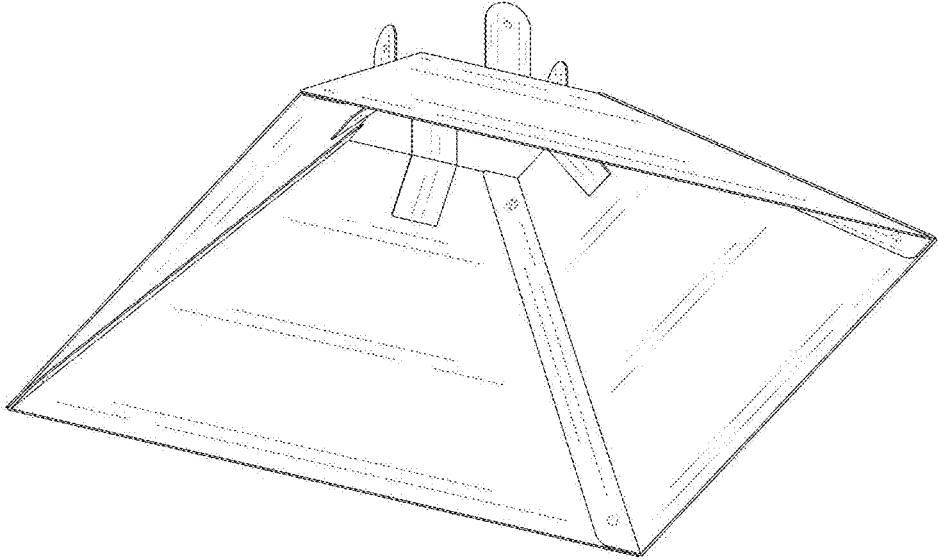
Queension, Squirrel Proof Baffles for Bird Feeder Poles, available on May 3, 2024 [online]. Available from Internet, URL: <https://www.amazon.com/dp/B0D38Q5SCX?th=1>.

* cited by examiner

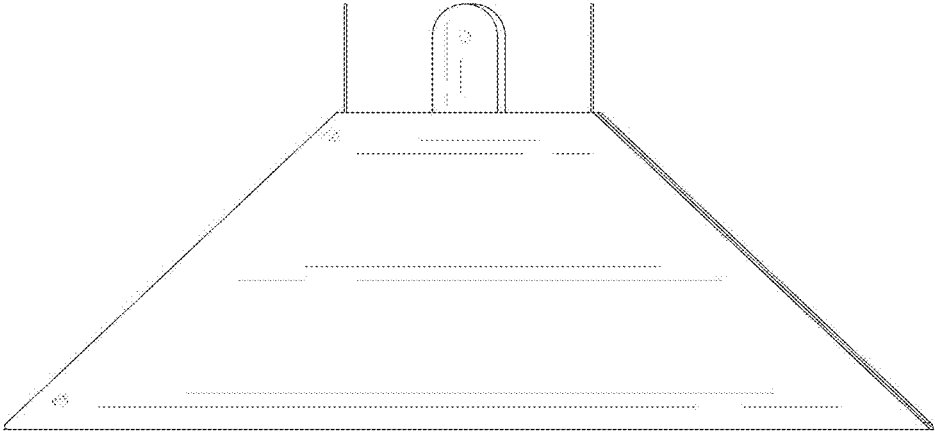
1.1



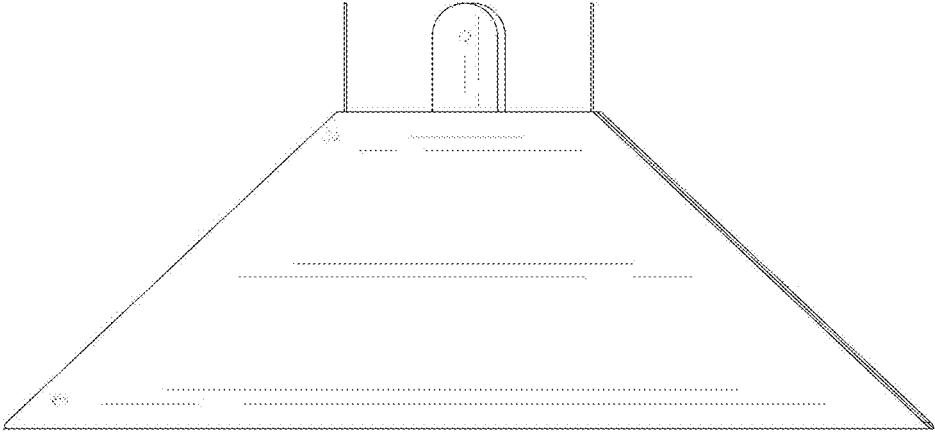
1.2



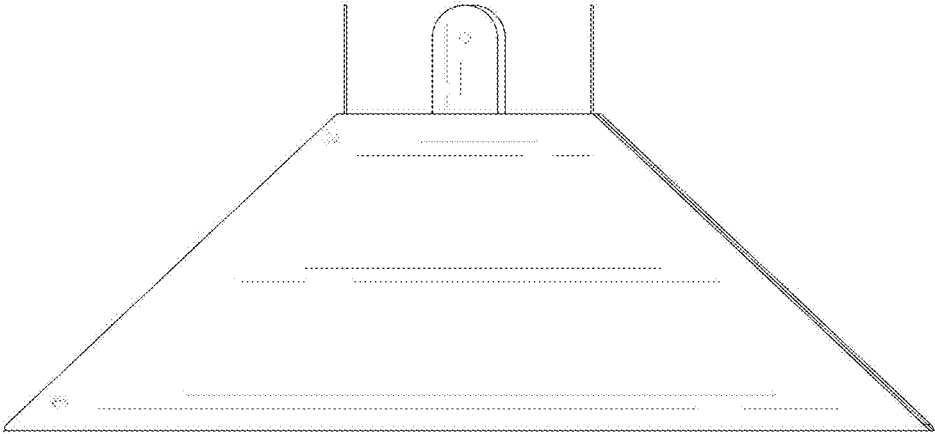
1.3



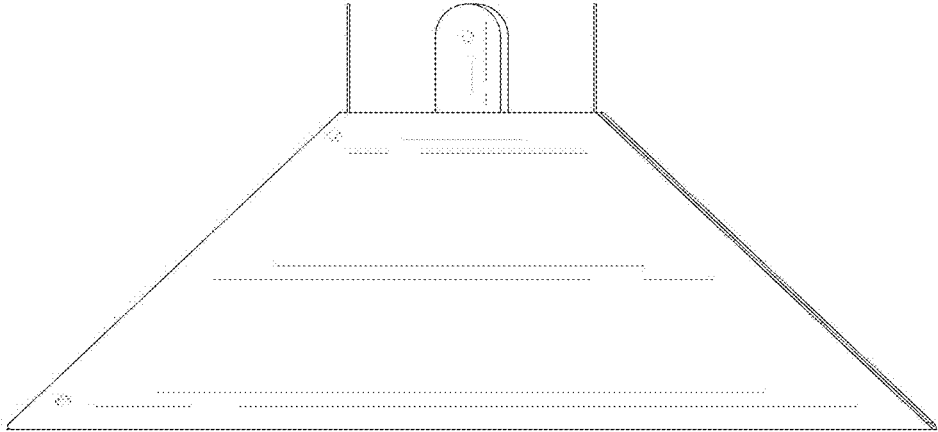
1.4



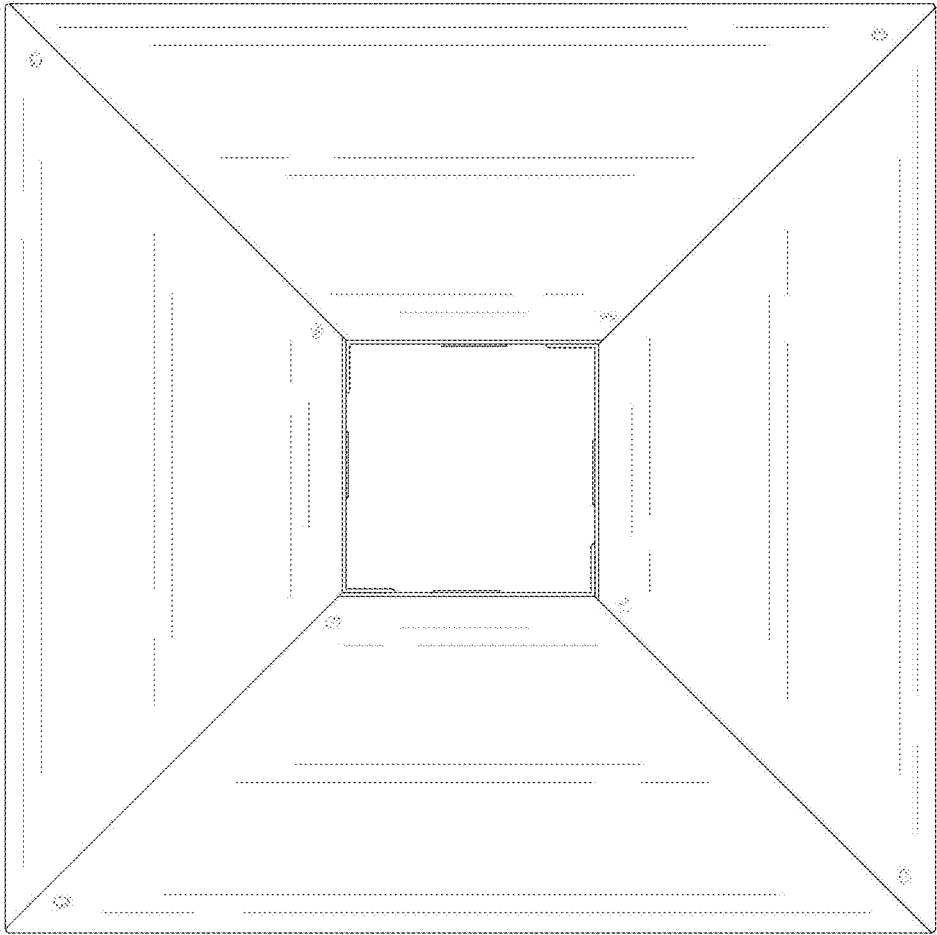
1.5



1.6



1.7



1.8

