



US00D516673S

(12) **United States Design Patent**
Chisholm et al.

(10) **Patent No.:** **US D516,673 S**
(45) **Date of Patent:** **** Mar. 7, 2006**

- (54) **FLUID TRANSFER APPARATUS**
- (75) Inventors: **Ronald R. Chisholm**, Truro (CA);
Peter Alex, Cloverville (CA)
- (73) Assignee: **Scepter Corporation**, Ontario (CA)
- (**) Term: **14 Years**

6,056,028 A	5/2000	Crawford
6,068,163 A	5/2000	Kihm
6,095,204 A	8/2000	Healy
D434,328 S	11/2000	Chrisco et al.
6,189,805 B1	2/2001	West et al.
6,311,742 B1	11/2001	Nusen et al.
6,341,628 B1	1/2002	Burson
6,655,426 B2	12/2003	Shevela
6,823,903 B2	11/2004	Davis

- (21) Appl. No.: **29/201,680**
- (22) Filed: **Mar. 19, 2004**
- (30) **Foreign Application Priority Data**

Sep. 19, 2003 (CA) 104310

- (51) **LOC (8) Cl.** **23-01**
- (52) **U.S. Cl.** **D23/226**
- (58) **Field of Classification Search** D23/200,
D23/213, 226; D9/517, 523, 527, 432, 434;
239/337; 141/98, 382

See application file for complete search history.

(56) **References Cited**

U.S. PATENT DOCUMENTS

D223,915 S	*	6/1972	Brown et al.	D23/226
D263,618 S	*	3/1982	Taylor	D23/226
4,640,446 A		2/1987	Walker		
D317,969 S	*	7/1991	Lambert	D23/226
5,040,703 A		8/1991	Roark et al.		
D321,036 S	*	10/1991	Jacobs	D23/226
5,052,443 A		10/1991	Evangelist et al.		
D338,210 S	*	8/1993	Lambert et al.	D23/226
5,472,124 A		12/1995	Martushev		
D376,540 S		12/1996	Boumil		
5,597,097 A		1/1997	Morris		
5,598,955 A		2/1997	Reilley		
5,711,355 A		1/1998	Kowalczyk		
5,887,367 A		3/1999	Alvern		

* cited by examiner

Primary Examiner—Robin V. Taylor

(74) *Attorney, Agent, or Firm*—McCormick, Paulding & Huber LLP

(57) **CLAIM**

The ornamental design for the fluid transfer apparatus, as shown and described.

DESCRIPTION

FIG. 1 is a front perspective view of the fluid transfer apparatus;

FIG. 2 is a front elevation view of the fluid transfer apparatus;

FIG. 3 is a rear elevation view of the fluid transfer apparatus;

FIG. 4 is a top plan view of the fluid transfer apparatus;

FIG. 5 is a side elevation view of a first side of the fluid transfer apparatus;

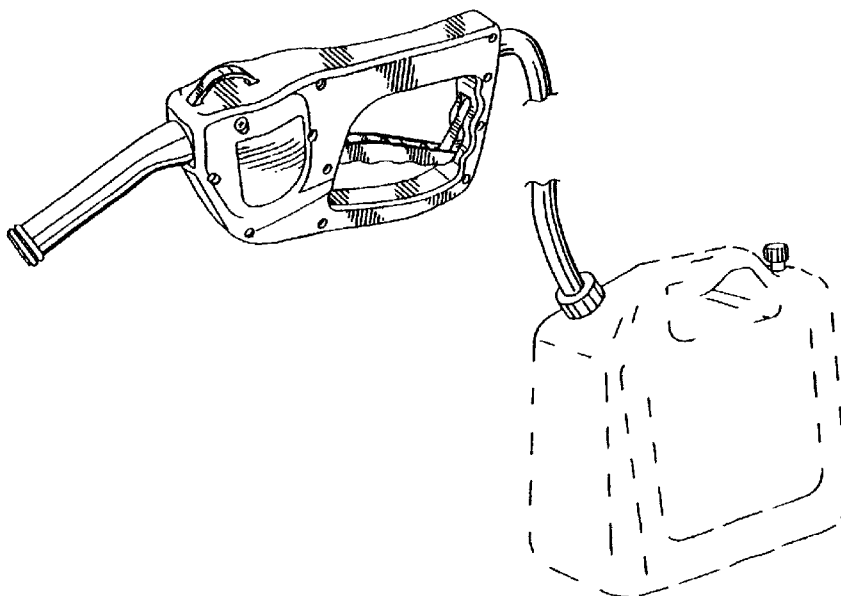
FIG. 6 is a side elevation view of a second side, opposite to the first side, of the fluid transfer apparatus; and,

FIG. 7 is a bottom plan view of the fluid transfer apparatus.

The dotted lines showing of a container in FIGS. 1–7 are provided for environmental purposes only and form no part of the claimed design for these figures.

The hose is shown fragmented to indicate indeterminate length.

1 Claim, 3 Drawing Sheets



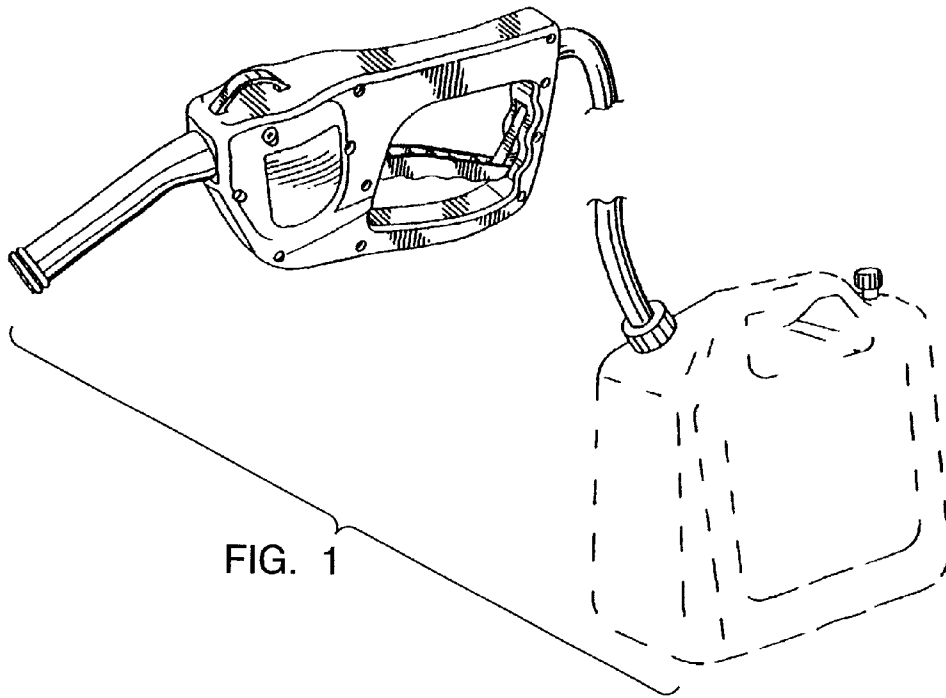


FIG. 1

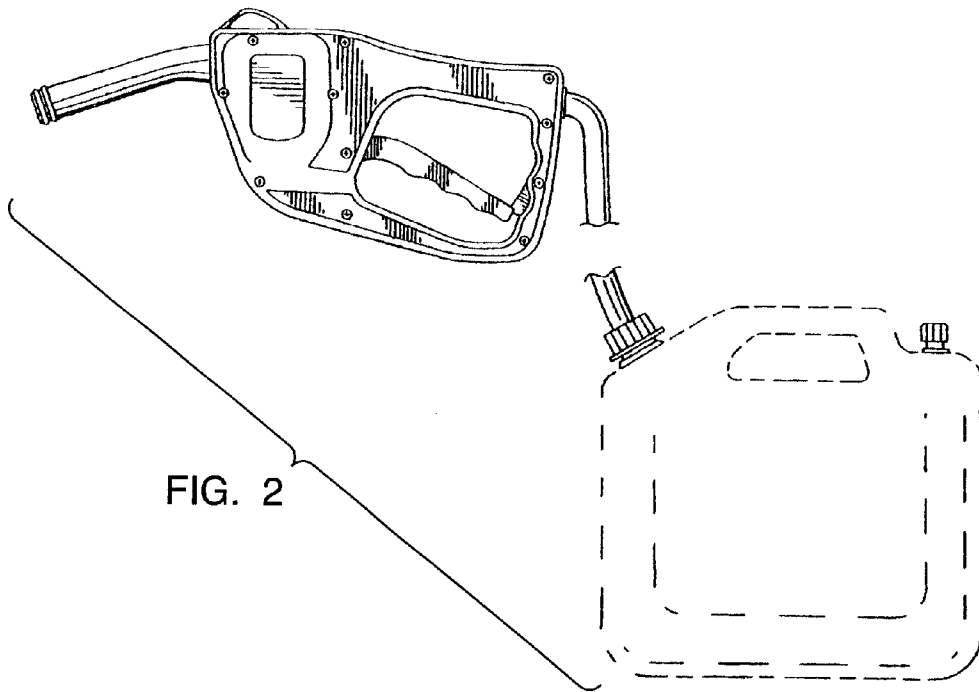


FIG. 2

