



US00D950280S

(12) **United States Design Patent**
Li

(10) **Patent No.:** **US D950,280 S**

(45) **Date of Patent:** **** May 3, 2022**

(54) **WATER BOTTLE ORGANIZER**

(71) Applicant: **Kai Li**, Shaoyang (CN)

(72) Inventor: **Kai Li**, Shaoyang (CN)

(**) Term: **15 Years**

(21) Appl. No.: **29/778,616**

(22) Filed: **Apr. 14, 2021**

(51) **LOC (13) Cl.** **06-06**

(52) **U.S. Cl.**
USPC **D6/675.2**

(58) **Field of Classification Search**
USPC D3/304-315; D6/672, 675, 675.1, 675.2,
D6/675.3, 683.1; D19/92, 100;
D7/600.1, 600.4
CPC .. A47F 5/00; A47F 5/0056; A47F 5/13; A47F
7/00; A47F 5/01; B65D 1/38; B65D 1/22;
A47J 47/16; A47B 81/00

See application file for complete search history.

D699,986 S *	2/2014	Tsai	D6/675.4
D705,618 S	5/2014	Reid, Jr.	
D737,105 S *	8/2015	Tsai	D7/601
D739,190 S	9/2015	Kasza et al.	
D781,671 S	3/2017	Berger	
D786,029 S	5/2017	Pannell	
D789,163 S	6/2017	Nemoto	
D804,225 S *	12/2017	Bian	D6/675.5
10,051,979 B2 *	8/2018	Kuo	A47B 55/02
D834,900 S	12/2018	Kasza	
D859,932 S	9/2019	Greenwood	
D883,743 S	5/2020	Rauch	
D890,554 S *	7/2020	Nie	D6/675.4
D911,084 S *	2/2021	Sabounjian	D6/675.2
D926,489 S *	8/2021	Sabounjian	D6/512

* cited by examiner

Primary Examiner — Kelley A Donnelly

(74) *Attorney, Agent, or Firm* — Xiaofang Zhong; Law Office of Xiaofang Zhong, PLLC

(57) **CLAIM**

The ornamental design for a water bottle organizer, as shown and described.

DESCRIPTION

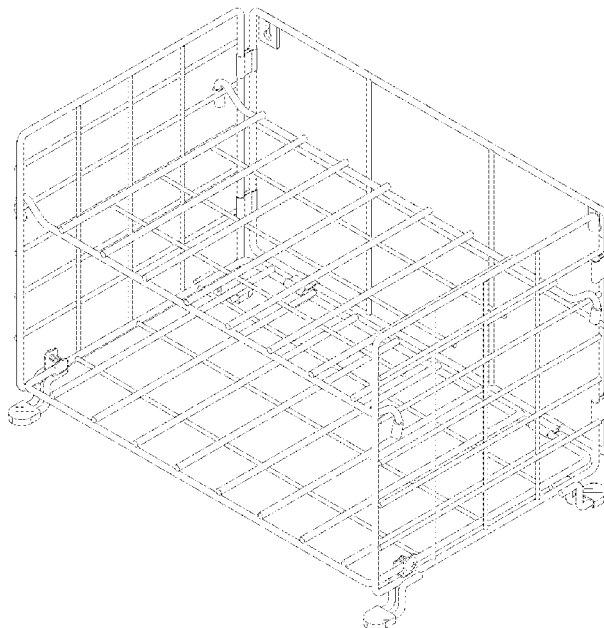
FIG. 1 is a perspective view of a water bottle organizer showing my new design;
FIG. 2 is a front elevational view thereof;
FIG. 3 is a back elevational view thereof;
FIG. 4 is a right-side elevational view thereof;
FIG. 5 is a left-side elevational view thereof;
FIG. 6 is a top plan view thereof;
FIG. 7 is a bottom plan view thereof; and,
FIG. 8 is a perspective view of the water bottle organizer with water bottles loaded on the water bottle organizer.
The broken lines in the drawings depict portions of the water bottle organizer that form no part of the claimed design.

1 Claim, 8 Drawing Sheets

(56) **References Cited**

U.S. PATENT DOCUMENTS

D181,322 S *	10/1957	Streich	D6/675.5
D185,660 S *	7/1959	Crookes	D6/515
D278,196 S *	4/1985	Koves	D6/675.2
D317,094 S *	5/1991	Weinberg	D6/675.2
D321,609 S *	11/1991	Dardashti	D6/675.2
D374,358 S	10/1996	Frenette	
5,823,100 A *	10/1998	Wienhold	F24C 15/16 99/449
D446,409 S *	8/2001	Walters-Dowding	D6/675.2
D528,876 S	9/2006	King	
D543,078 S	5/2007	Davalos	
D544,250 S *	6/2007	Daugherty	D6/678.3
D568,635 S *	5/2008	Klein	D6/675.2
D697,380 S	1/2014	Lesbirel	



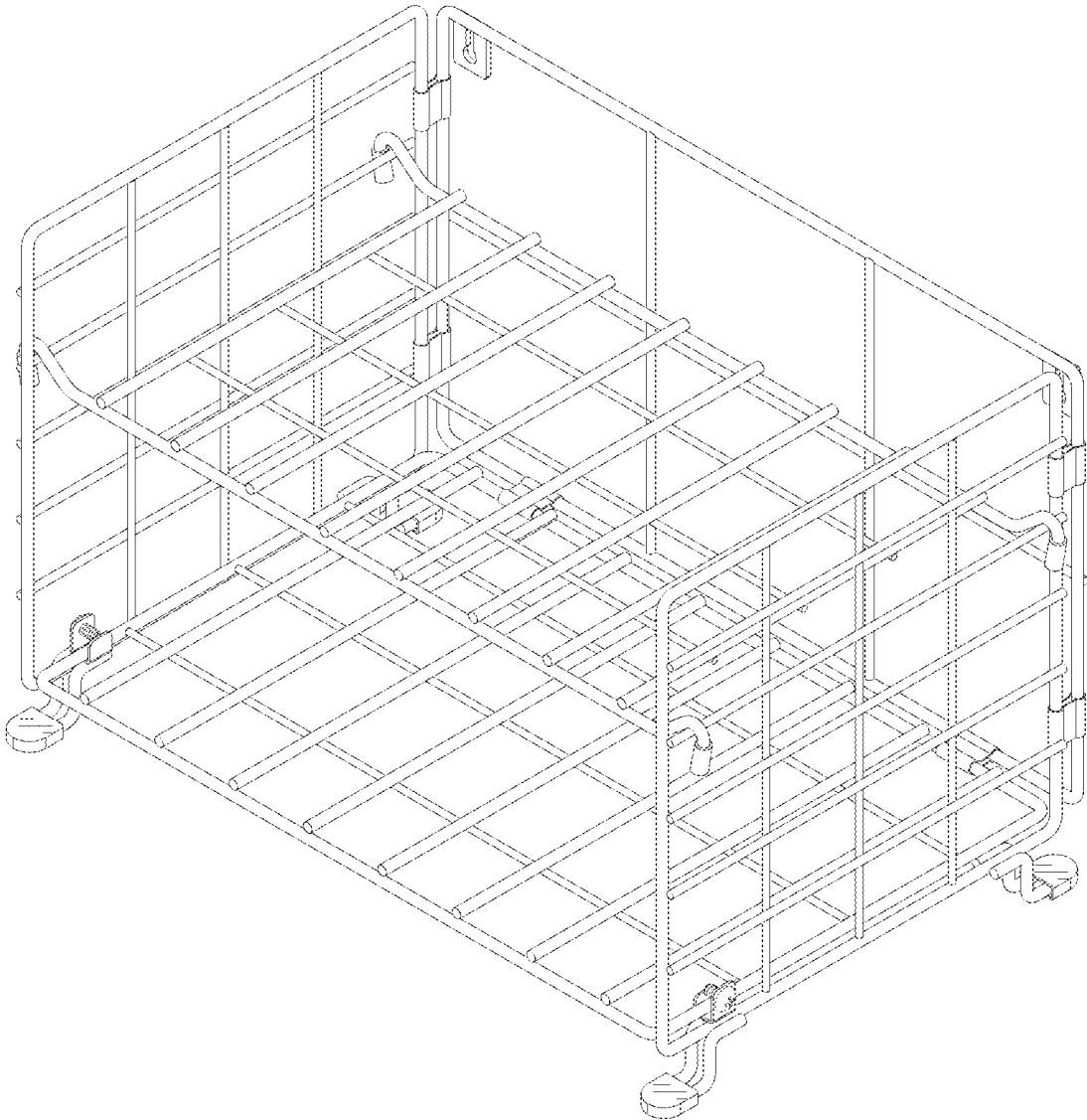


FIG. 1

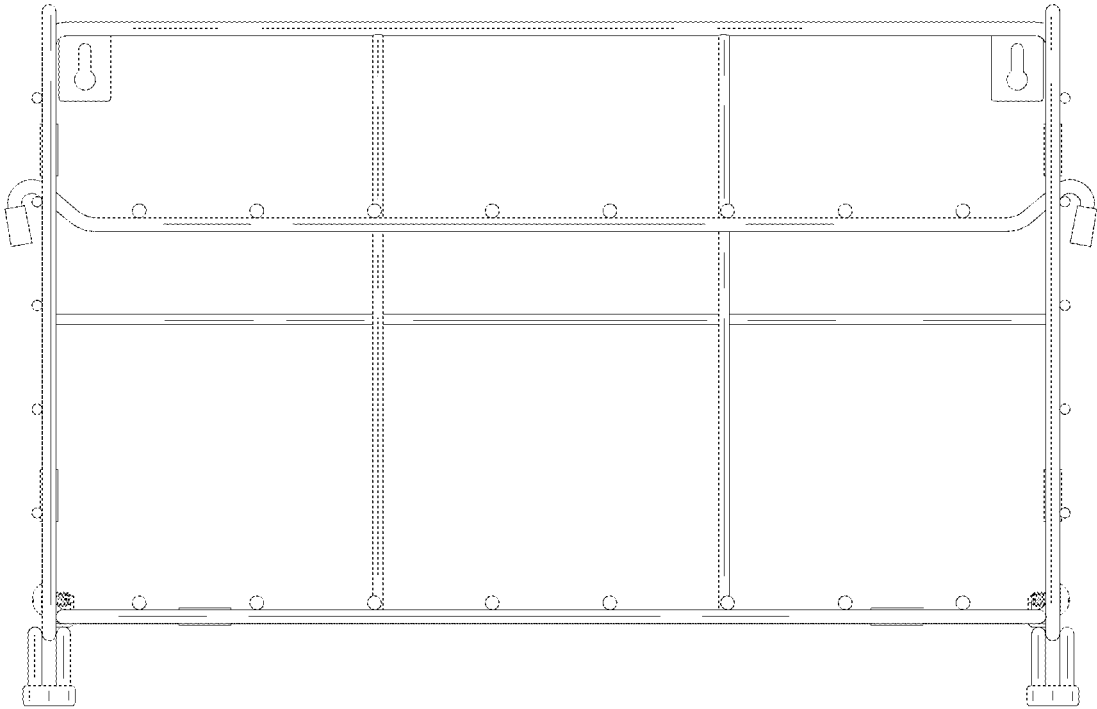


FIG. 2

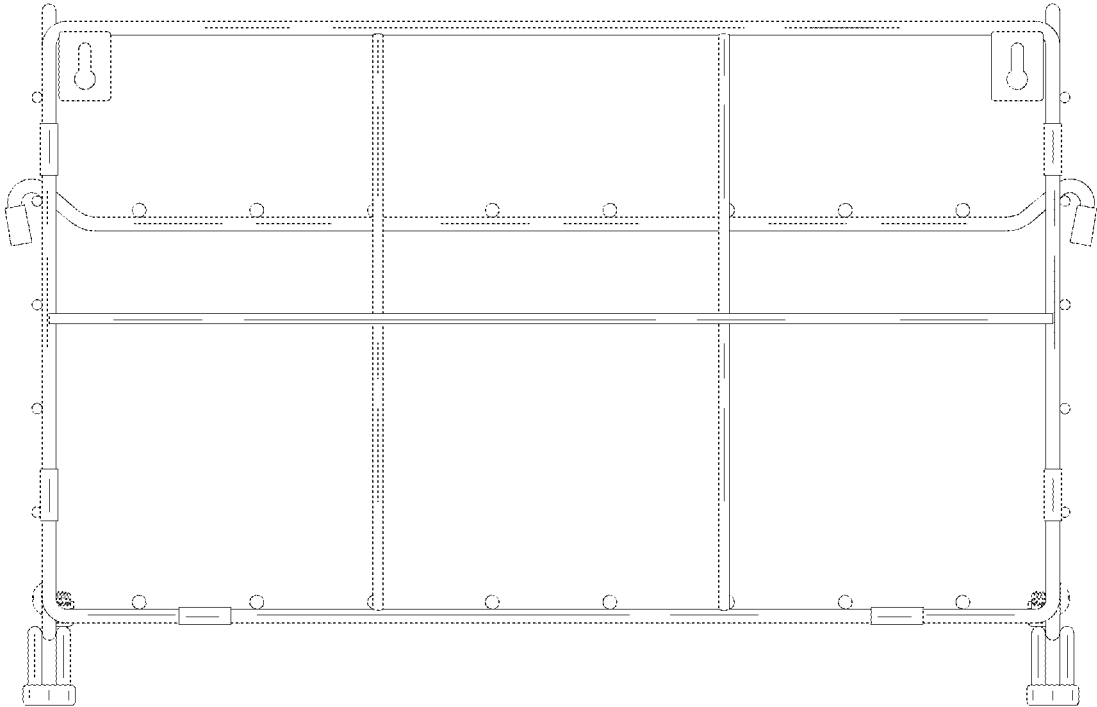


FIG. 3

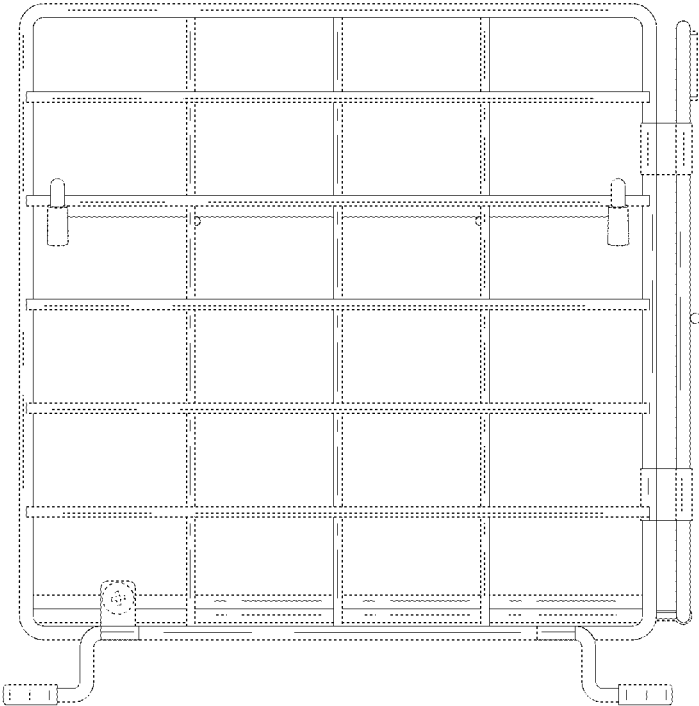


FIG. 4

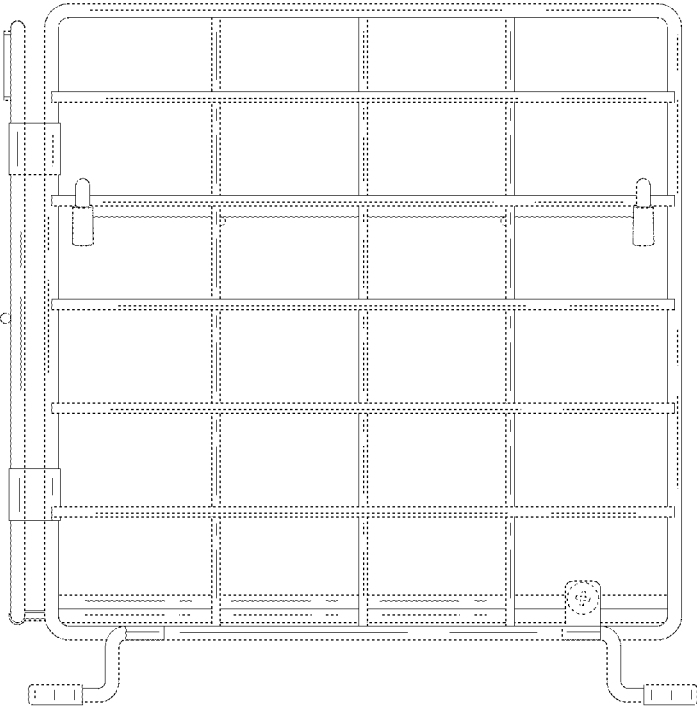


FIG. 5

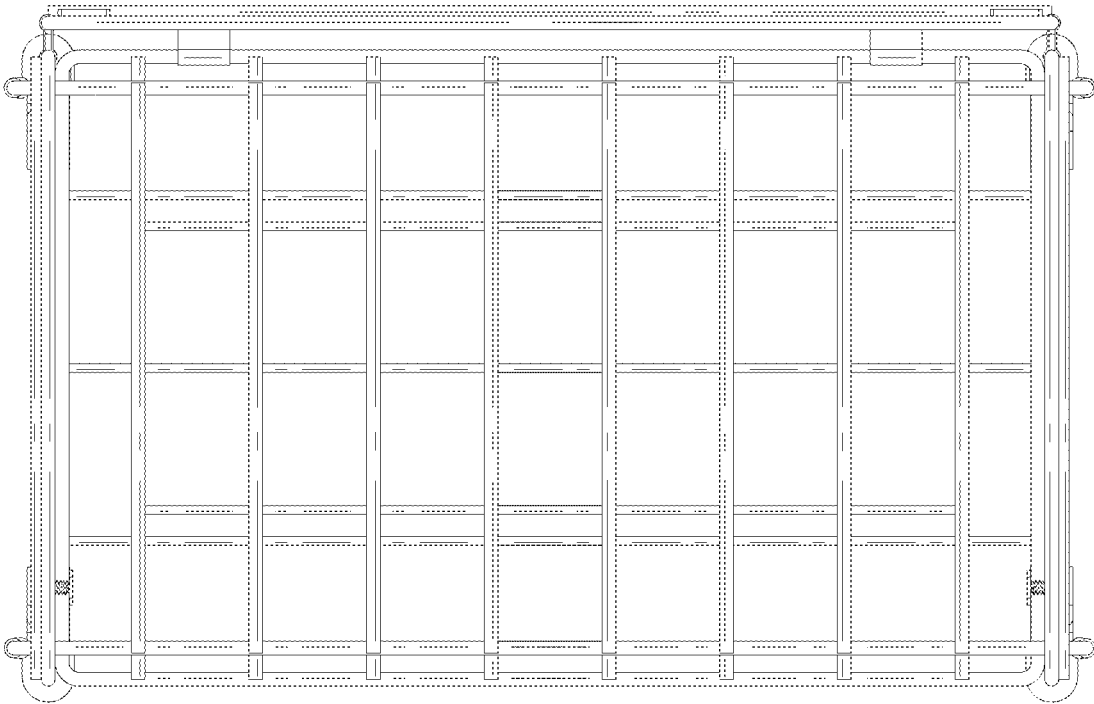


FIG. 6

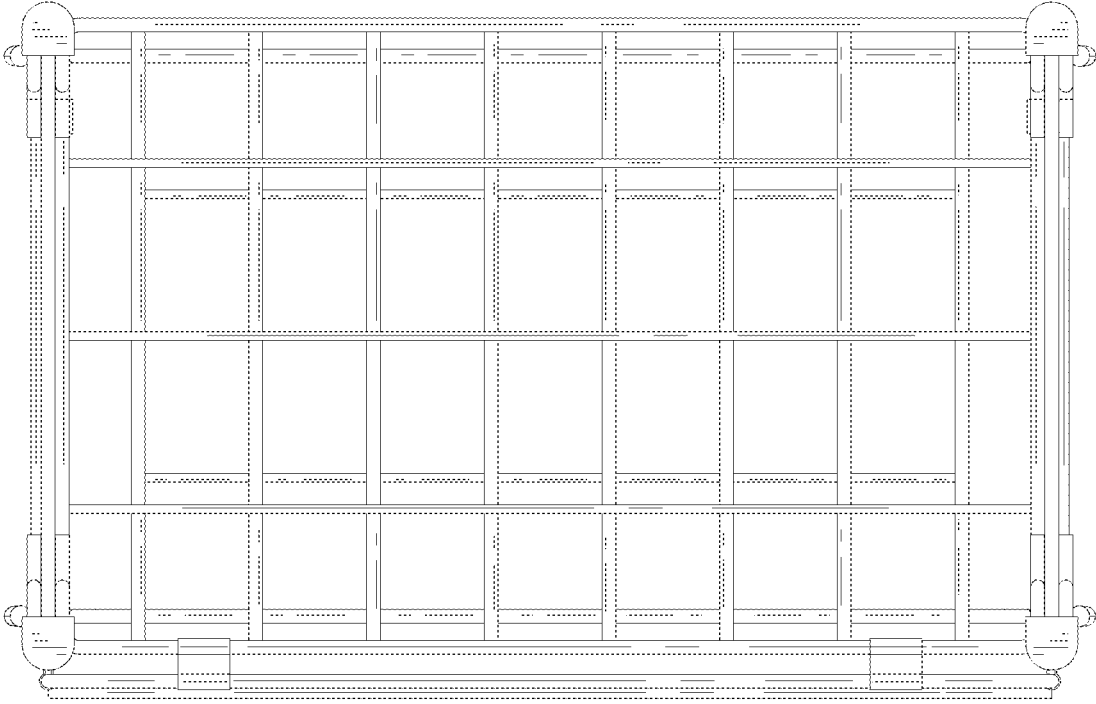


FIG. 7

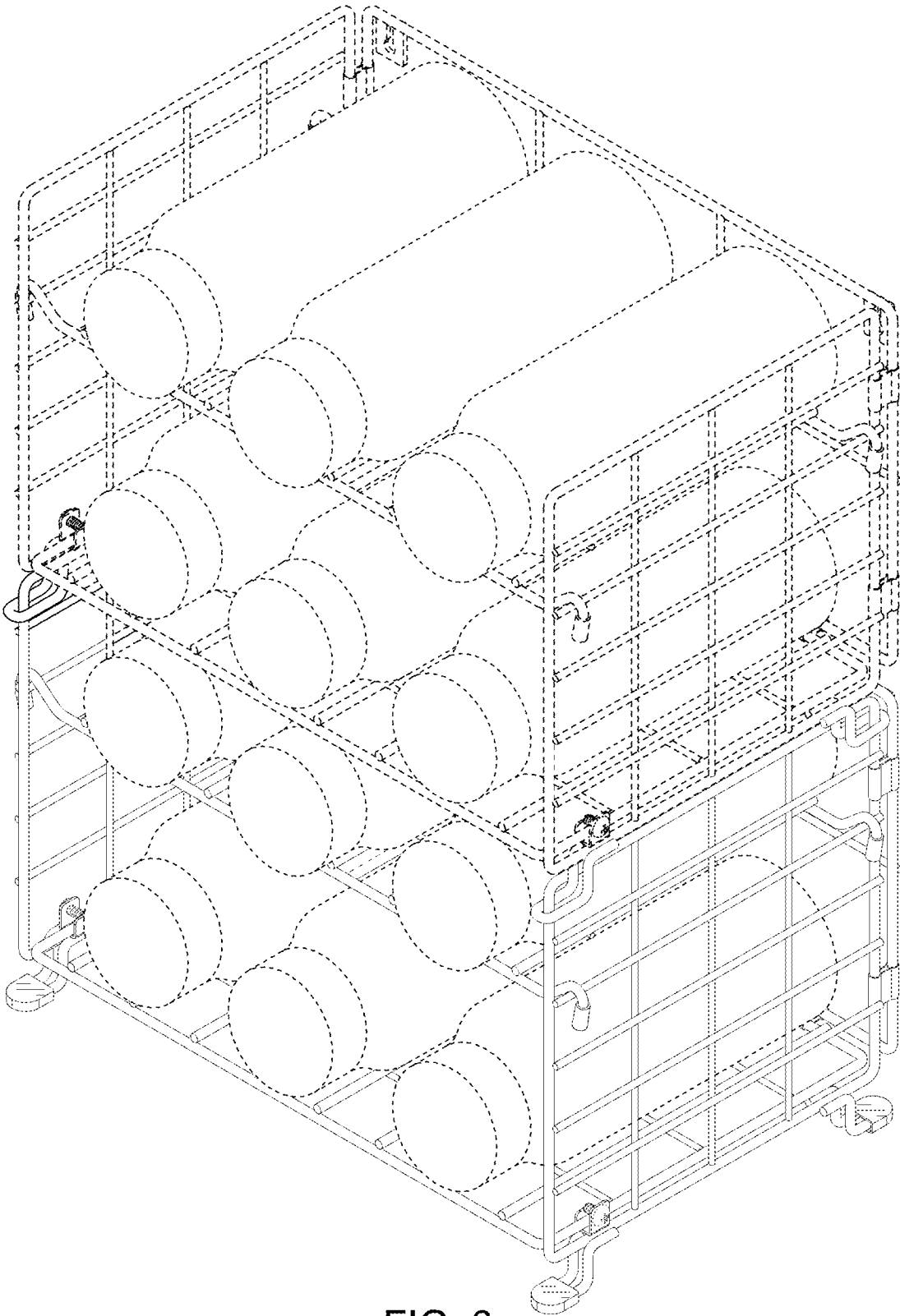


FIG. 8