



US00D927770S

(12) **United States Design Patent**
Hu

(10) **Patent No.:** **US D927,770 S**

(45) **Date of Patent:** **** Aug. 10, 2021**

(54) **LED PLANT LAMP**

(71) Applicant: **Dongwen Hu**, Zigong (CN)

(72) Inventor: **Dongwen Hu**, Zigong (CN)

(**) Term: **15 Years**

(21) Appl. No.: **29/689,922**

(22) Filed: **May 2, 2019**

(51) **LOC (13) Cl.** **26-05**

(52) **U.S. Cl.**

USPC **D26/118**

(58) **Field of Classification Search**

USPC D26/24, 34, 51, 55, 59, 72, 76, 78, 79,
D26/80, 81, 85, 86, 88, 90, 118, 120, 138

CPC F21S 8/00; F21S 8/04; F21S 8/08; F21S
8/026; F21S 8/043; F21S 8/066; F21S
8/081; F21S 8/083; F21S 8/085; F21S
8/088; F21V 15/00; F21V 15/01; F21V
21/00; F21V 21/02; F21V 21/005; F21V
21/041; F21V 21/048; F21V 21/049;
F21V 7/00; F21V 7/0008; F21V 9/30

See application file for complete search history.

(56) **References Cited**

U.S. PATENT DOCUMENTS

D574,994 S *	8/2008	Boyer	D26/120
D690,839 S *	10/2013	Wang	D26/24
D698,986 S *	2/2014	Reynolds	D26/118
D698,987 S *	2/2014	Stanley	D26/118
D756,016 S *	5/2016	Hargreaves	D26/79
D757,346 S *	5/2016	Stanley	D26/118

(Continued)

Primary Examiner — Wan Laymon

Assistant Examiner — Clint A Samuel

(57) **CLAIM**

The ornamental design for an LED plant lamp, as shown and described.

DESCRIPTION

FIG. 1 is a first perspective view of a first embodiment of an LED plant lamp showing my new design;

FIG. 2 is a second perspective view of the first embodiment thereof;

FIG. 3 is a front elevational view of the first embodiment thereof;

FIG. 4 is a rear elevational view of the first embodiment thereof;

FIG. 5 is a left elevational view of the first embodiment thereof;

FIG. 6 is a right elevational view of the first embodiment thereof;

FIG. 7 is a top plan view of the first embodiment thereof;

FIG. 8 is a bottom plan view of the first embodiment thereof;

FIG. 9 is an enlarged view of the area identified as “9” in FIG. 1;

FIG. 10 is a first perspective view of a second embodiment of the LED plant lamp showing my new design;

FIG. 11 is a second perspective view of the second embodiment thereof;

FIG. 12 is a front elevational view of the second embodiment thereof;

FIG. 13 is a rear elevational view of the second embodiment thereof;

FIG. 14 is a left elevational view of the second embodiment thereof;

FIG. 15 is a right elevational view of the second embodiment thereof;

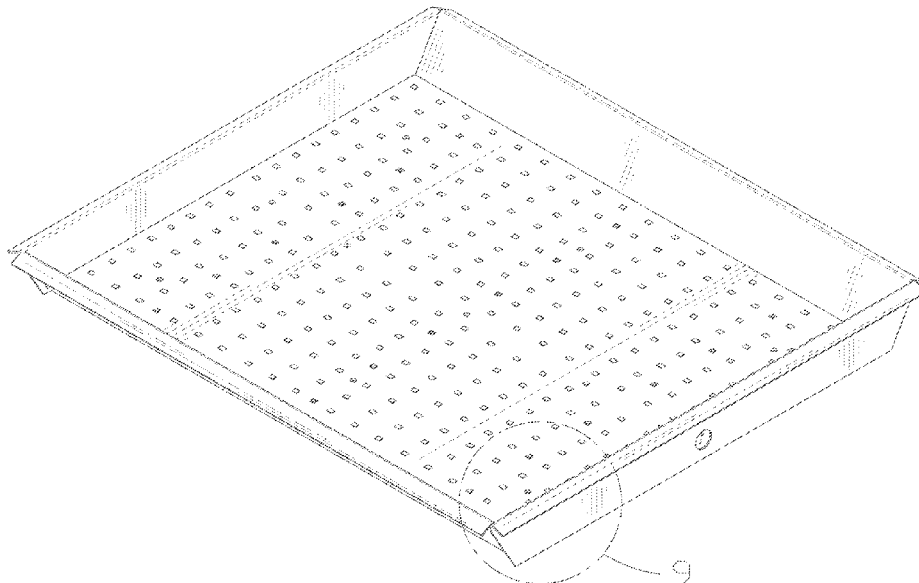
FIG. 16 is a top plan view of the second embodiment thereof;

FIG. 17 is a bottom plan view of the second embodiment thereof; and,

FIG. 18 is an enlarged view of the area identified as “18” in FIG. 10.

The broken lines in the drawings illustrate portions of the LED plant lamp which form no part of the claimed design.

1 Claim, 18 Drawing Sheets



(56)

References Cited

U.S. PATENT DOCUMENTS

D790,114	S	*	6/2017	Chung	D26/118
D791,999	S	*	7/2017	Hargreaves	D26/76
D836,827	S	*	12/2018	Trang	D26/118
D836,828	S	*	12/2018	Trang	D26/118
D855,245	S	*	7/2019	Chami	D26/118
D870,357	S	*	12/2019	Hu	D26/120
D872,340	S	*	1/2020	Chami	D26/78
D883,554	S	*	5/2020	Zeng	D26/74
D894,470	S	*	8/2020	Reynolds	D26/118
D897,028	S	*	9/2020	Reynolds	D26/118
D901,743	S	*	11/2020	Wang	D26/72
D910,222	S	*	2/2021	Zhang	D26/72
2012/0243227	A1	*	9/2012	Shimizu	F21V 21/005 362/249.01
2018/0135848	A1	*	5/2018	Scribante	F21K 9/275

* cited by examiner

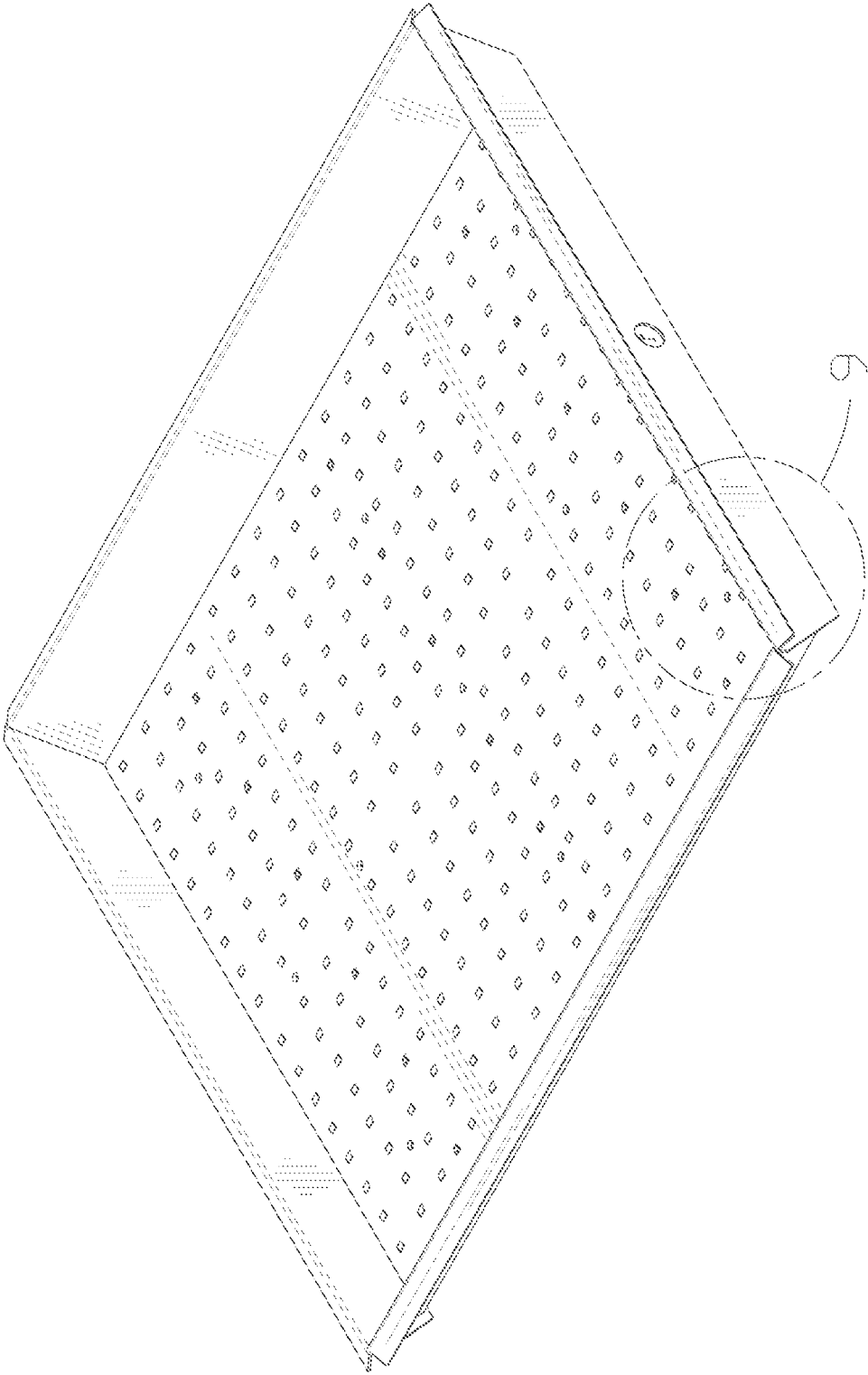


FIG. 1

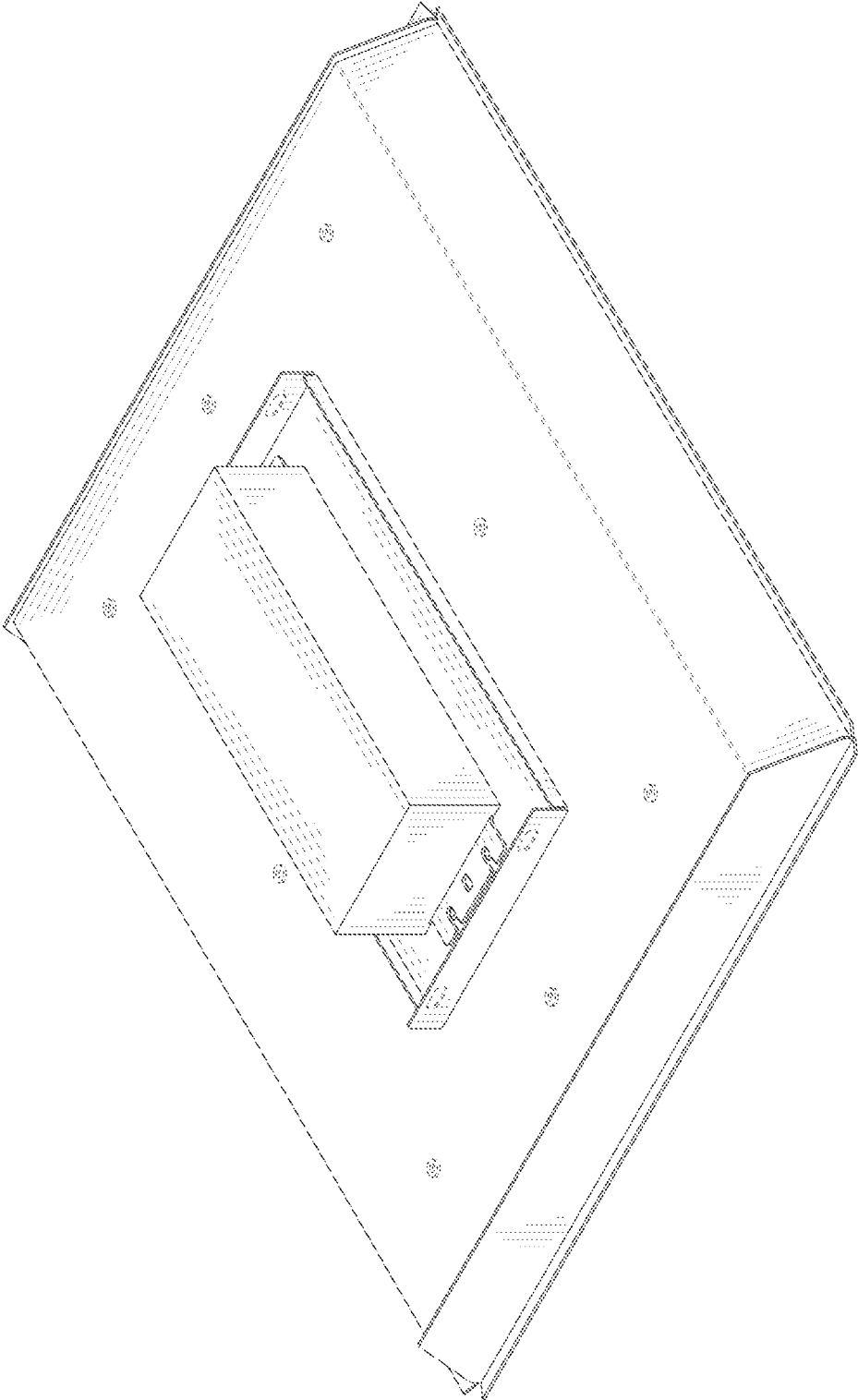


FIG. 2

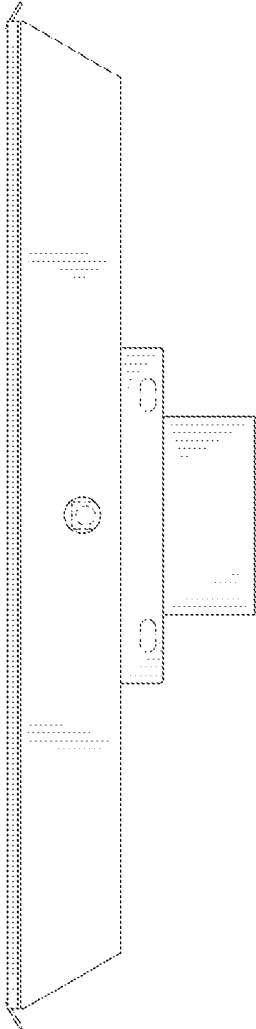


FIG. 3

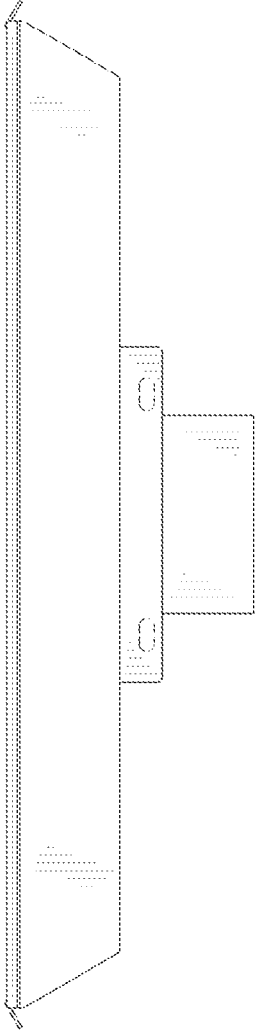


FIG. 4

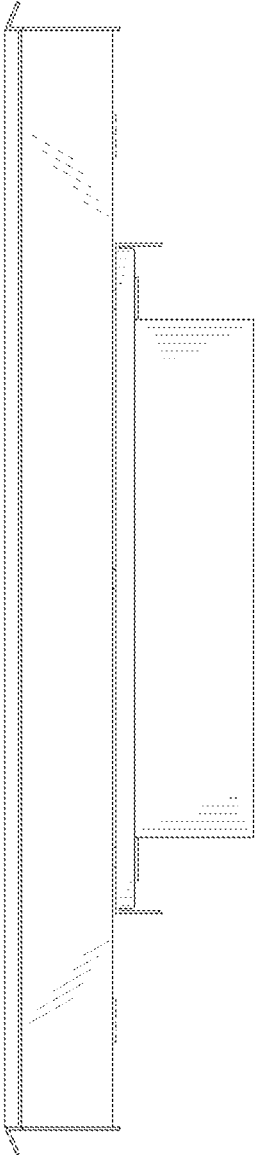


FIG. 5

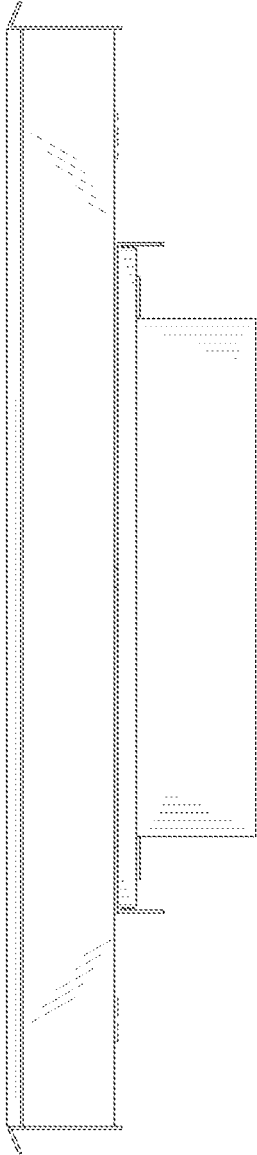


FIG. 6

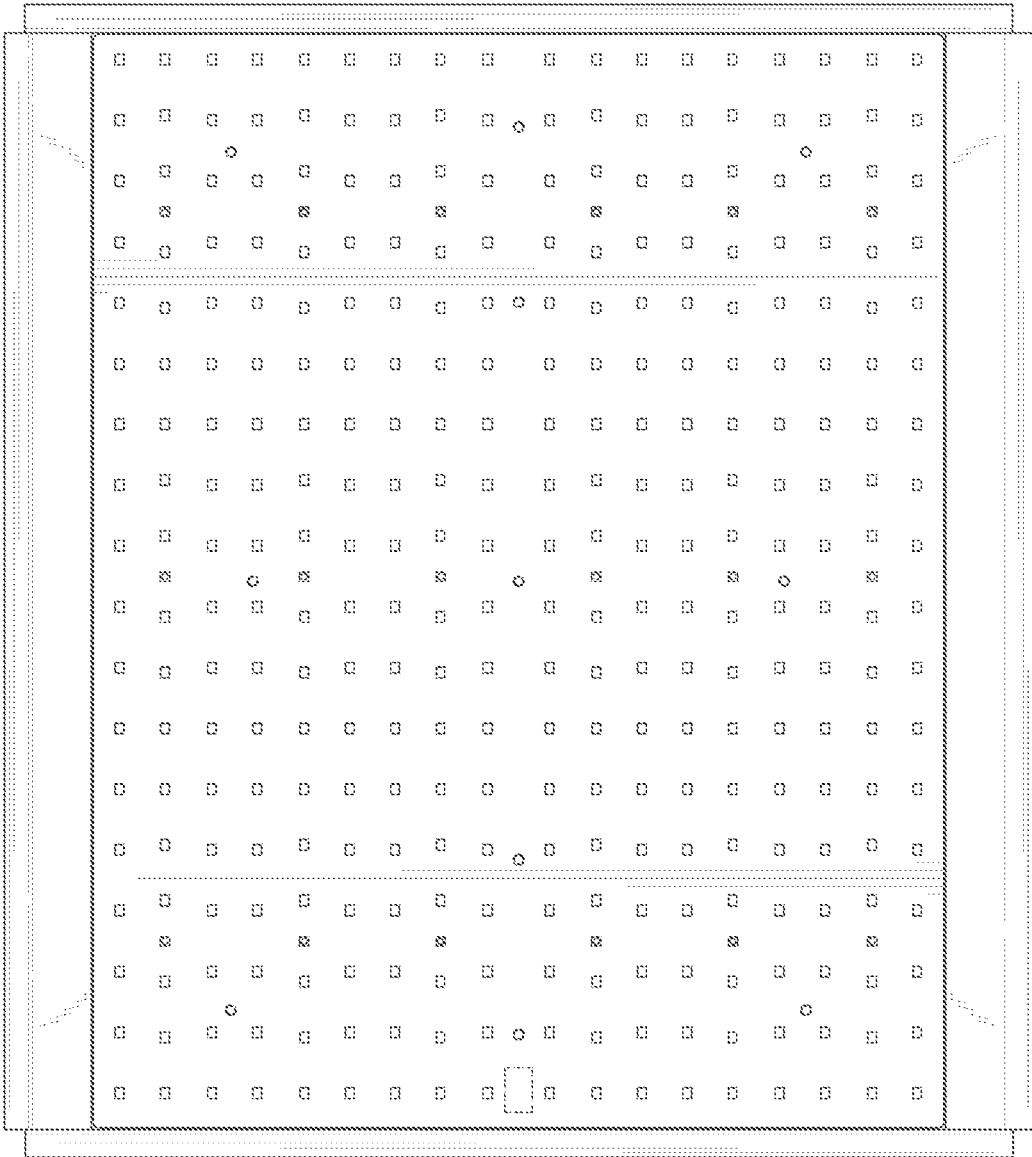


FIG. 7

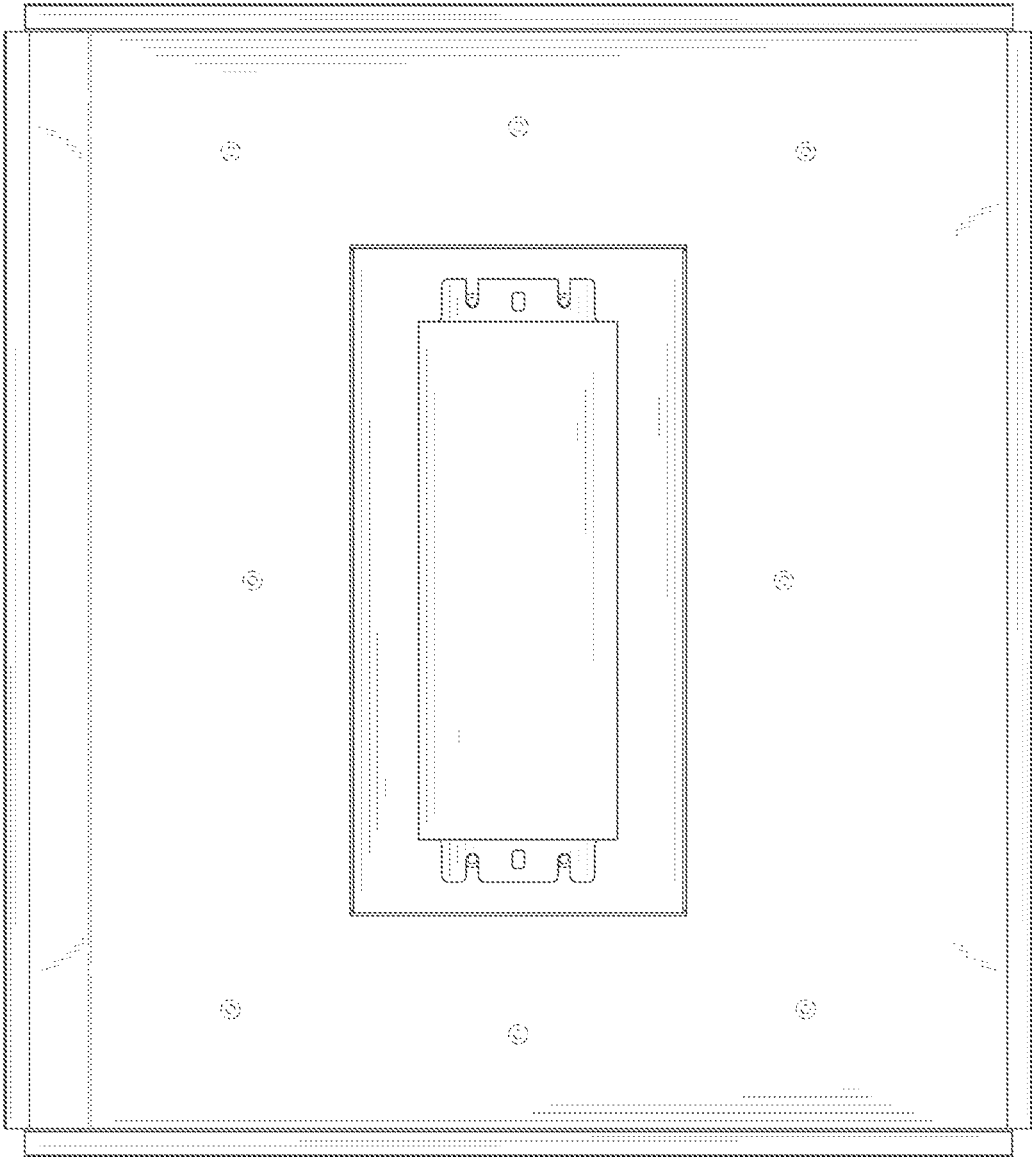


FIG. 8

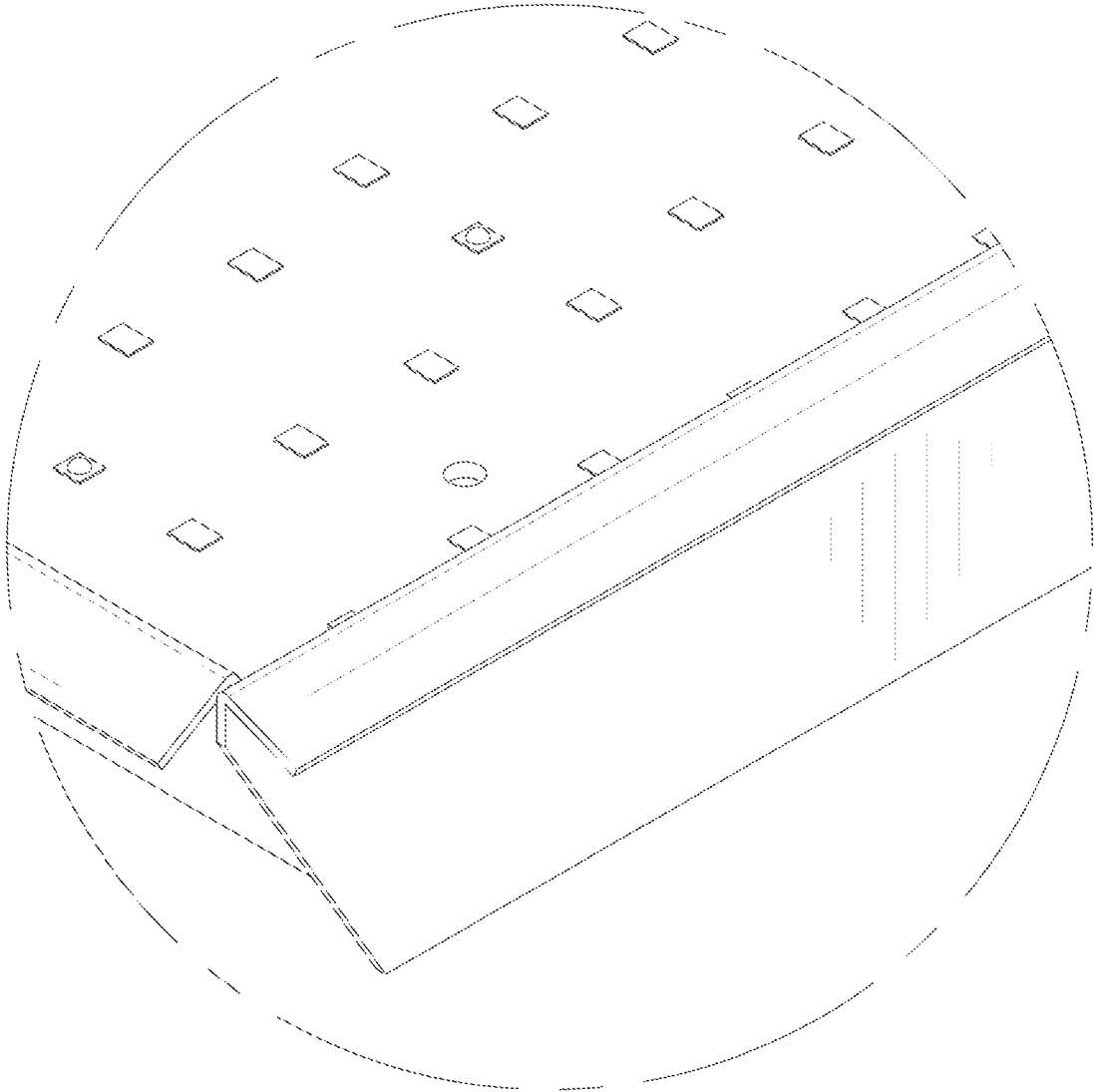


FIG. 9

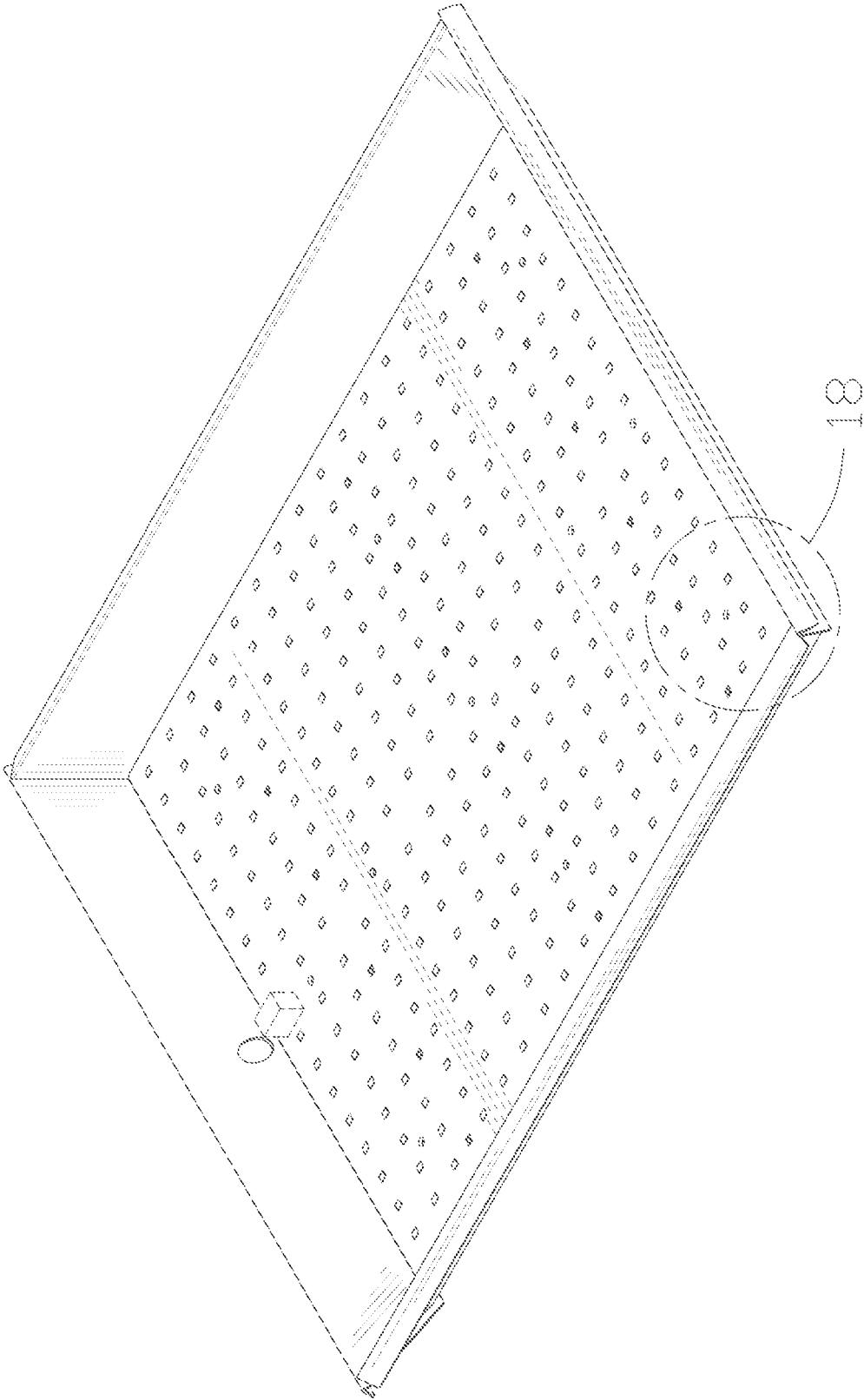


FIG. 10

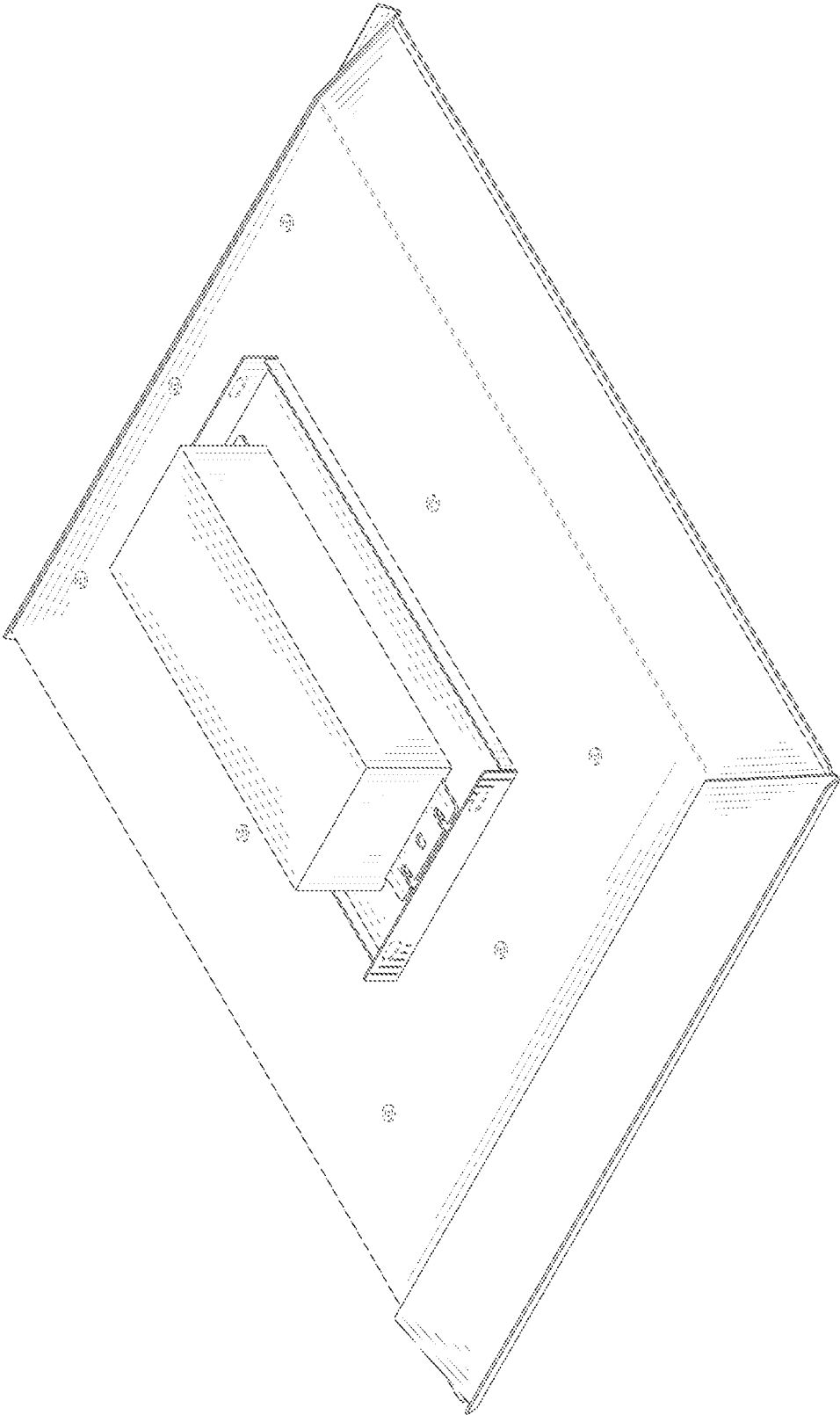


FIG. 11

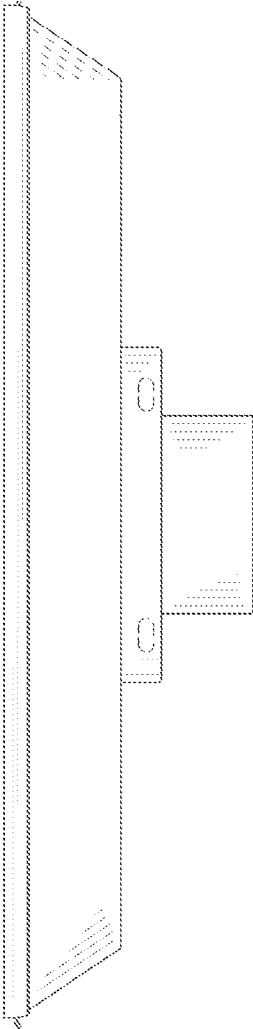


FIG. 12

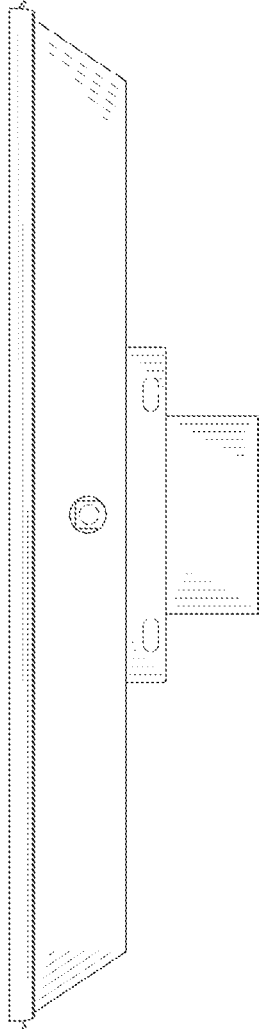


FIG. 13

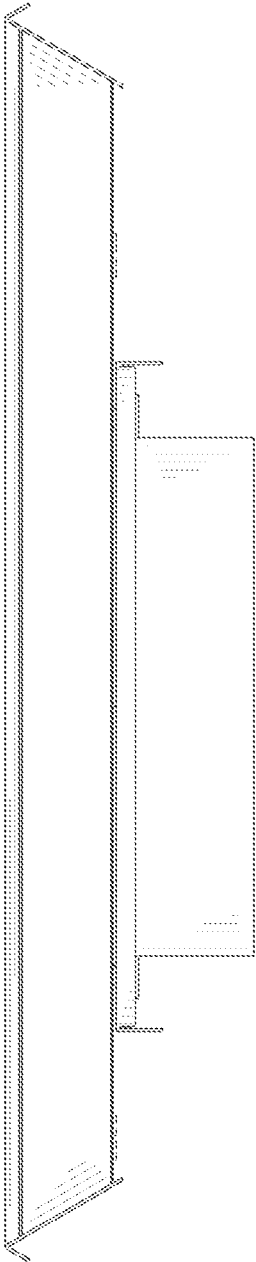


FIG. 14

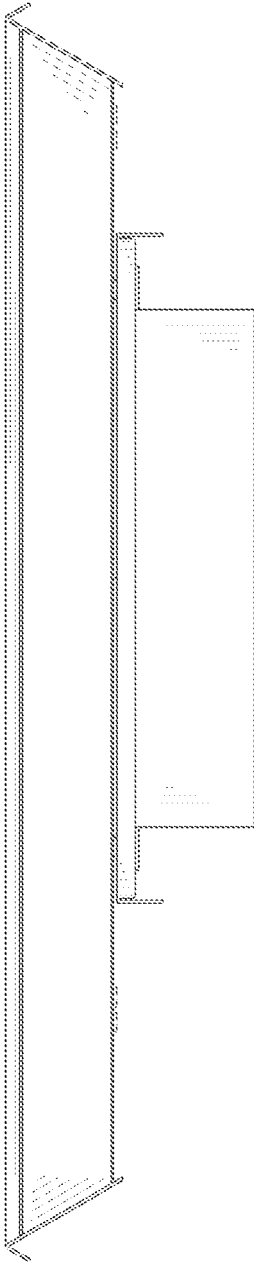


FIG. 15

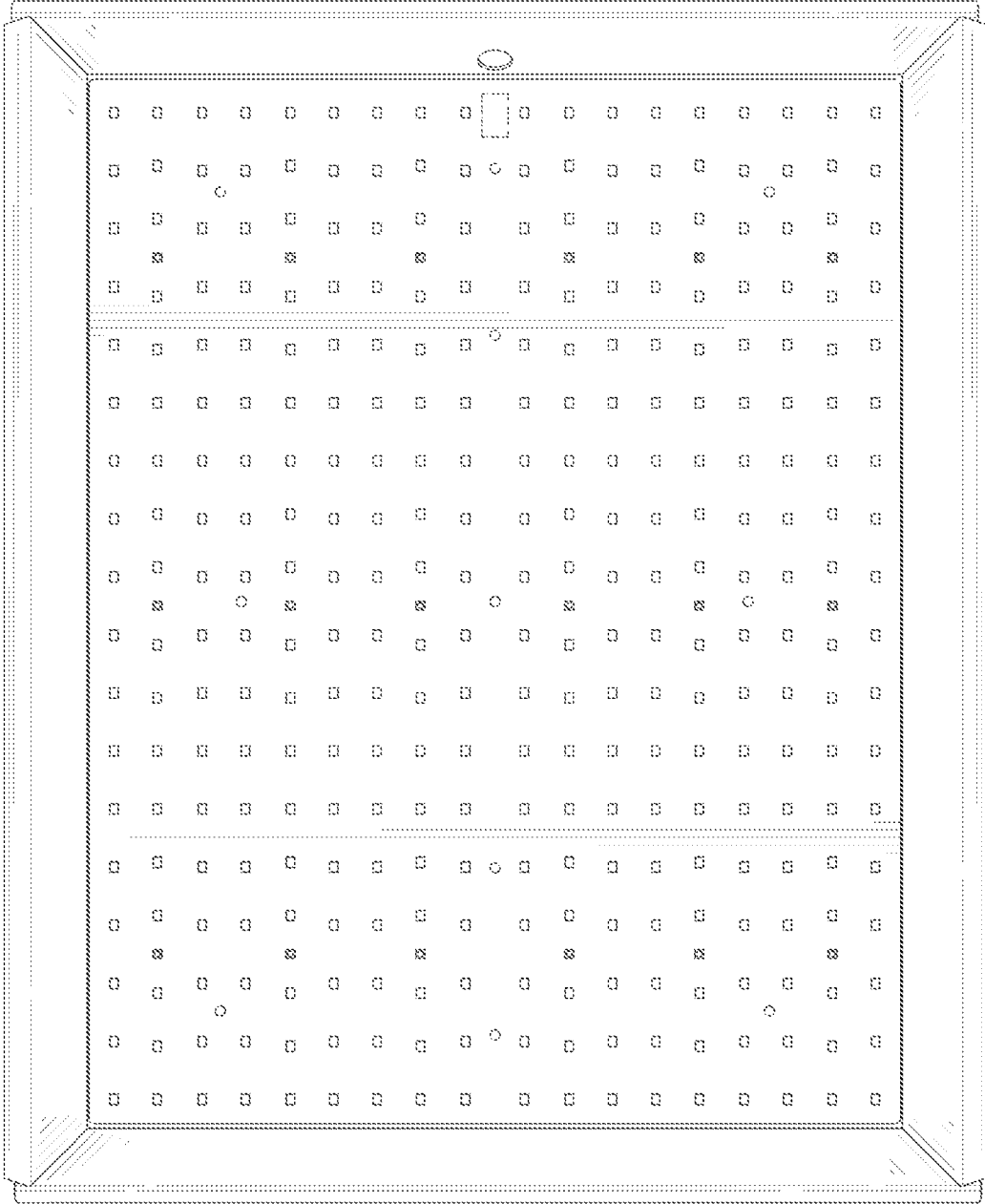


FIG. 16

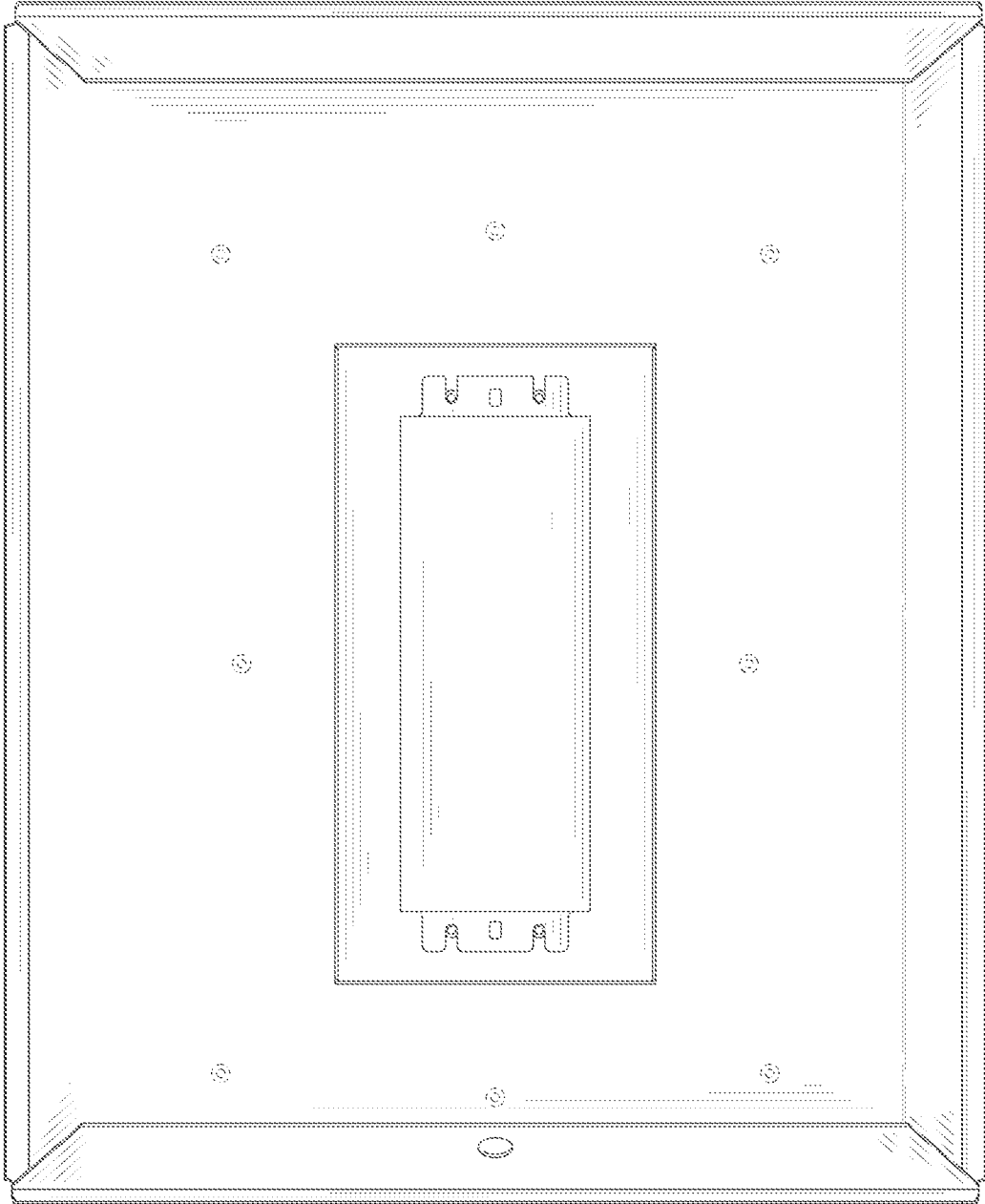


FIG. 17

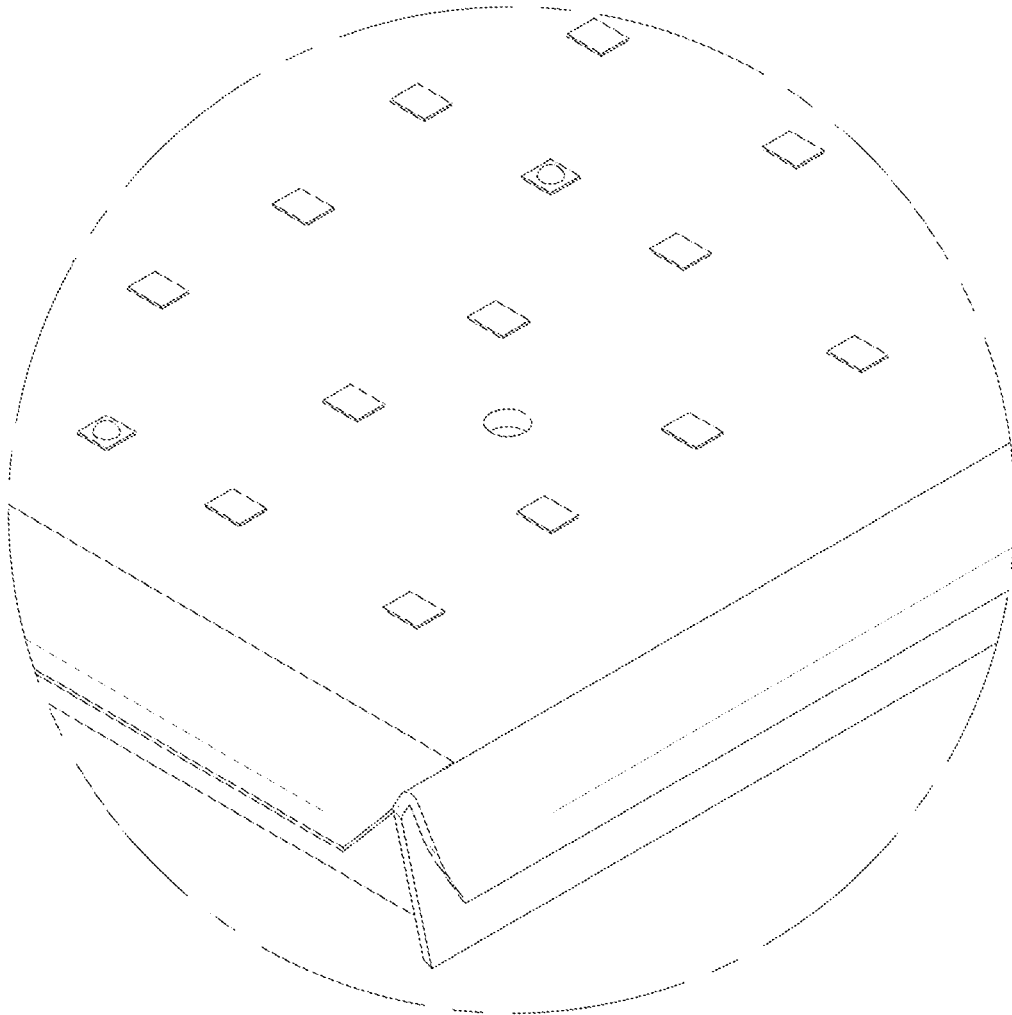


FIG. 18