

(19) World Intellectual Property Organization
International Bureau



(43) International Publication Date
15 August 2002 (15.08.2002)

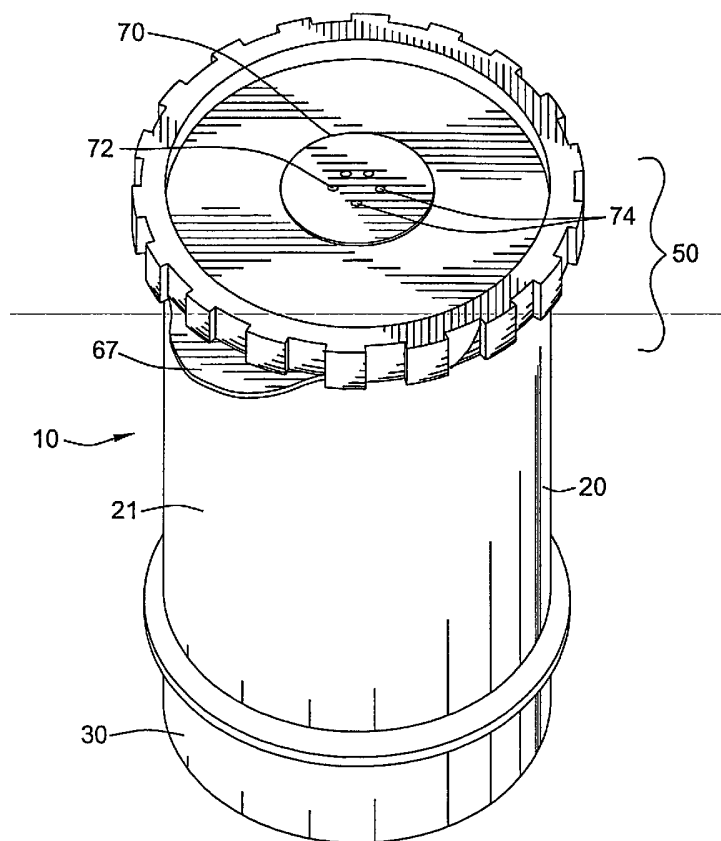
PCT

(10) International Publication Number
WO 02/062942 A3

- (51) International Patent Classification⁷: C12M 1/12, C12N 1/02
- (74) Agent: JAY, Jeremy; Leydig, Voit & Mayer, Ltd., 700 13th Street NW, Suite 300, Washington, DC 20005 (US).
- (21) International Application Number: PCT/US02/03165
- (81) Designated States (national): AE, AG, AL, AM, AT, AU, AZ, BA, BB, BG, BR, BY, BZ, CA, CH, CN, CO, CR, CU, CZ, DE, DK, DM, DZ, EC, EE, ES, FI, GB, GD, GE, GH, GM, HR, HU, ID, IL, IN, IS, JP, KE, KG, KP, KR, KZ, LC, LK, LR, LS, LT, LU, LV, MA, MD, MG, MK, MN, MW, MX, MZ, NO, NZ, OM, PH, PL, PT, RO, RU, SD, SE, SG, SI, SK, SL, TJ, TM, TN, TR, TT, TZ, UA, UG, US, UZ, VN, YU, ZA, ZM, ZW.
- (22) International Filing Date: 5 February 2002 (05.02.2002)
- (25) Filing Language: English
- (26) Publication Language: English
- (30) Priority Data: 60/266,487 6 February 2001 (06.02.2001) US
- (84) Designated States (regional): ARIPO patent (GH, GM, KE, LS, MW, MZ, SD, SL, SZ, TZ, UG, ZM, ZW), Eurasian patent (AM, AZ, BY, KG, KZ, MD, RU, TJ, TM), European patent (AT, BE, CH, CY, DE, DK, ES, FI, FR, GB, GR, IE, IT, LU, MC, NL, PT, SE, TR), OAPI patent (BF, BJ, CF, CG, CI, CM, GA, GN, GQ, GW, ML, MR, NE, SN, TD, TG).
- (71) Applicant (for all designated States except US): PALL CORPORATION [US/US]; 2200 Northern Boulevard, East Hills, NY 11548-1209 (US).
- (72) Inventor; and
- (75) Inventor/Applicant (for US only): KANE, Jeffrey [US/US]; 423 East Duncan, Manchester, MI 48158 (US).

[Continued on next page]

(54) Title: FILTRATION ASSEMBLY



(57) Abstract: A filtration assembly (10) for use in collecting a fluid sample possibly containing microorganisms, and capturing the microorganisms of interest in the sample such that the captured microorganisms can be subsequently detected. The filtration assembly includes a sample reservoir (20) for collecting and holding the fluid sample to be filtered, a fluid port (38) and a vent (70) in communication with the sample reservoir, a filter element (45) disposed in a flow path between the sample reservoir and fluid port, and a cover member (50) detachably covering the sample reservoir.



WO 02/062942 A3



Published:

- *with international search report*
- *before the expiration of the time limit for amending the claims and to be republished in the event of receipt of amendments*

For two-letter codes and other abbreviations, refer to the "Guidance Notes on Codes and Abbreviations" appearing at the beginning of each regular issue of the PCT Gazette.

(88) Date of publication of the international search report:

6 November 2003

INTERNATIONAL SEARCH REPORT

International Application No
PCT/US 02/03165

A. CLASSIFICATION OF SUBJECT MATTER
IPC 7 C12M1/12 C12N1/02

According to International Patent Classification (IPC) or to both national classification and IPC

B. FIELDS SEARCHED

Minimum documentation searched (classification system followed by classification symbols)
IPC 7 C12M C12N B01L

Documentation searched other than minimum documentation to the extent that such documents are included in the fields searched

Electronic data base consulted during the international search (name of data base and, where practical, search terms used)

WPI Data, EPO-Internal, PAJ

C. DOCUMENTS CONSIDERED TO BE RELEVANT

Category °	Citation of document, with indication, where appropriate, of the relevant passages	Relevant to claim No.
X	EP 0 478 914 A (PALL CORP) 8 April 1992 (1992-04-08) the whole document ---	1-12
A	US 3 448 011 A (RUSSOMANNO ROCCO JOSEPH) 3 June 1969 (1969-06-03) the whole document ---	1-15
A	WO 98 32875 A (PALL CORP ;KANE JEFFREY (US)) 30 July 1998 (1998-07-30) the whole document ---	1-15
A	US 5 578 459 A (STIMPSON DONALD I ET AL) 26 November 1996 (1996-11-26) the whole document ---	1-15
	-/--	

Further documents are listed in the continuation of box C.

Patent family members are listed in annex.

° Special categories of cited documents :

- "A" document defining the general state of the art which is not considered to be of particular relevance
- "E" earlier document but published on or after the international filing date
- "L" document which may throw doubts on priority claim(s) or which is cited to establish the publication date of another citation or other special reason (as specified)
- "O" document referring to an oral disclosure, use, exhibition or other means
- "P" document published prior to the international filing date but later than the priority date claimed

- "T" later document published after the international filing date or priority date and not in conflict with the application but cited to understand the principle or theory underlying the invention
- "X" document of particular relevance; the claimed invention cannot be considered novel or cannot be considered to involve an inventive step when the document is taken alone
- "Y" document of particular relevance; the claimed invention cannot be considered to involve an inventive step when the document is combined with one or more other such documents, such combination being obvious to a person skilled in the art.
- "&" document member of the same patent family

Date of the actual completion of the international search

22 September 2003

Date of mailing of the international search report

29/09/2003

Name and mailing address of the ISA
European Patent Office, P.B. 5818 Patentlaan 2
NL - 2280 HV Rijswijk
Tel. (+31-70) 340-2040, Tx. 31 651 epo nl,
Fax: (+31-70) 340-3016

Authorized officer

Kools, P

INTERNATIONAL SEARCH REPORT

International Application No

PCT/US 02/03165

C.(Continuation) DOCUMENTS CONSIDERED TO BE RELEVANT		
Category °	Citation of document, with indication, where appropriate, of the relevant passages	Relevant to claim No.
A	WO 96 37600 A (SEV TRENT WATER LTD ;PARTON ADRIAN (GB)) 28 November 1996 (1996-11-28) the whole document ---	1-15
A	US 4 777 137 A (LEMONNIER JEAN) 11 October 1988 (1988-10-11) the whole document ---	1-15
A	US 4 340 480 A (PALL DAVID B ET AL) 20 July 1982 (1982-07-20) the whole document ---	1-15
P,X	WO 01 48142 A (LEMONNIER JEAN ;MILLIPORE SA (FR)) 5 July 2001 (2001-07-05) the whole document -----	1-15

INTERNATIONAL SEARCH REPORT

Information on patent family members

International Application No

PCT/US 02/03165

Patent document cited in search report		Publication date	Patent family member(s)	Publication date
EP 0478914	A	08-04-1992	CA 2047943 A1	28-01-1992
			DE 69119683 D1	27-06-1996
			DE 69119683 T2	02-10-1996
			EP 0478914 A1	08-04-1992
			GB 2246713 A ,B	12-02-1992
			GB 2277886 A	16-11-1994
			JP 3252402 B2	04-02-2002
			JP 4240456 A	27-08-1992
			US 5362406 A	08-11-1994
			US 5744047 A	28-04-1998
			US 5258127 A	02-11-1993
US 3448011	A	03-06-1969	NONE	
WO 9832875	A	30-07-1998	EP 1012327 A1	28-06-2000
			JP 2001510999 T	07-08-2001
			WO 9832875 A1	30-07-1998
			US 6358730 B1	19-03-2002
US 5578459	A	26-11-1996	AT 212563 T	15-02-2002
			AU 1186395 A	13-06-1995
			CA 2176139 A1	01-06-1995
			DE 69429783 D1	14-03-2002
			DE 69429783 T2	31-10-2002
			EP 0730495 A1	11-09-1996
			ES 2173166 T3	16-10-2002
			JP 9505890 T	10-06-1997
			WO 9514533 A1	01-06-1995
			US 5976824 A	02-11-1999
WO 9637600	A	28-11-1996	AT 182621 T	15-08-1999
			AU 692394 B2	04-06-1998
			AU 5774896 A	11-12-1996
			CA 2222056 A1	28-11-1996
			DE 69603482 D1	02-09-1999
			DE 69603482 T2	25-11-1999
			EP 0832181 A1	01-04-1998
			WO 9637600 A1	28-11-1996
			JP 11505714 T	25-05-1999
			NZ 308189 A	29-06-1999
			US 5905038 A	18-05-1999
			ZA 9604134 A	24-02-1997
US 4777137	A	11-10-1988	FR 2558847 A1	02-08-1985
			DE 3566270 D1	22-12-1988
			DE 3586131 D1	02-07-1992
			EP 0150775 A1	07-08-1985
			EP 0239058 A2	30-09-1987
			JP 1657730 C	21-04-1992
			JP 3022147 B	26-03-1991
			JP 60180577 A	14-09-1985
			US 5202262 A	13-04-1993
US 4340480	A	20-07-1982	AT 17926 T	15-02-1986
			AU 534042 B2	22-12-1983
			AU 7660081 A	29-04-1982
			BR 8106719 A	06-07-1982
			CA 1161215 A1	31-01-1984

INTERNATIONAL SEARCH REPORT

Information on patent family members

International Application No

PCT/US 02/03165

Patent document cited in search report	Publication date	Patent family member(s)	Publication date
US 4340480	A	DE 3173774 D1	27-03-1986
		DK 461081 A ,B,	21-04-1982
		EP 0050789 A1	05-05-1982
		ES 8303483 A1	01-05-1983
		FI 813263 A ,B,	21-04-1982
		IL 63929 A	31-07-1985
		JP 1264815 C	27-05-1985
		JP 57099303 A	21-06-1982
		JP 59025603 B	19-06-1984
		MX 160821 A	30-05-1990
		NO 813523 A ,B,	21-04-1982
		NZ 198693 A	31-05-1985
		PT 73838 A ,B	01-11-1981
		ZA 8107211 A	29-09-1982
		AT 375024 B	25-06-1984
		AT 325182 A	15-11-1983
		AT 376580 B	10-12-1984
		AT 358179 A	15-05-1984
		AU 529368 B2	02-06-1983
		AU 4702679 A	22-11-1979
		BR 7903007 A	04-12-1979
		CA 1138584 A1	28-12-1982
		DE 2967659 D1	19-06-1987
		DK 198579 A	16-11-1979
		EP 0005536 A2	28-11-1979
		ES 480577 A1	16-08-1980
		FI 791532 A ,B,	16-11-1979
		IL 57354 A	30-07-1982
		JP 1430241 C	09-03-1988
		JP 55008887 A	22-01-1980
		JP 59025602 B	19-06-1984
		JP 1007802 B	10-02-1989
		JP 1645825 C	13-03-1992
		JP 63088004 A	19-04-1988
		MX 152562 A	29-08-1985
		NO 791596 A ,B,	16-11-1979
		NO 854125 A	16-11-1979
		NO 156965 B	21-09-1987
		NZ 190436 A	15-12-1981
		PT 69611 A	01-06-1979
		US 4340479 A	20-07-1982
		ZA 7902326 A	25-06-1980
WO 0148142	A	FR 2802943 A1	29-06-2001
		AU 1725701 A	09-07-2001
		EP 1240307 A1	18-09-2002
		WO 0148142 A1	05-07-2001
		JP 2003518376 T	10-06-2003
		US 2002151044 A1	17-10-2002