

(19) World Intellectual Property  
Organization  
International Bureau



(43) International Publication Date  
27 May 2004 (27.05.2004)

PCT

(10) International Publication Number  
**WO 2004/043158 A3**

(51) International Patent Classification<sup>7</sup>: **A63H 3/00**

(21) International Application Number:  
PCT/US2003/035940

(22) International Filing Date:  
8 November 2003 (08.11.2003)

(25) Filing Language: English

(26) Publication Language: English

(30) Priority Data:  
60/425,065 9 November 2002 (09.11.2002) US

(71) Applicant and  
(72) Inventor: **JOHNSON, Richard** [—/US]; 3908 Del Mar  
Glen, San Diego, CA 92130 (US).

(74) Agent: **BURKHART, Patrick, N.**; Burkhardt & Burkhardt,  
P.O. Box 1823, Whitefish, MT 59937 (US).

(81) Designated States (*national*): AE, AL, AM, AT, AU, AZ,  
BA, BB, BG, BR, BY, CA, CH, CN, CR, CU, CZ, DE, DK,

DM, EE, ES, FI, GB, GD, GE, GH, GM, HR, HU, ID, IL,  
IN, IS, JP, KE, KG, KP, KR, KZ, LC, LK, LR, LS, LT, LU,  
LV, MA, MD, MG, MK, MN, MW, MX, NO, NZ, PL, PT,  
RO, RU, SD, SE, SG, SK, SL, TJ, TM, TR, TT, TZ, UA,  
UG, US, UZ, VN, YU, ZA, ZW.

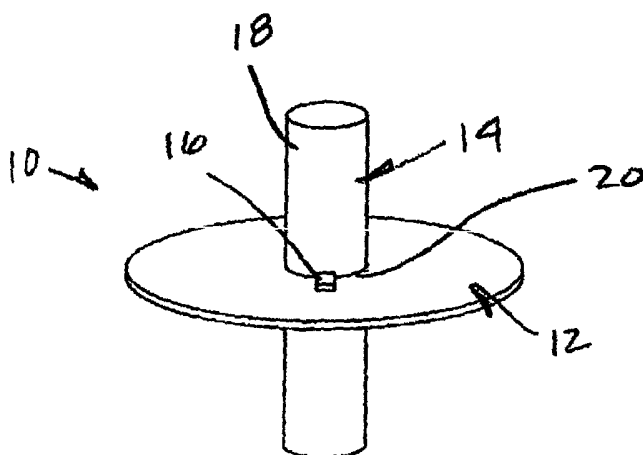
(84) Designated States (*regional*): ARIPO patent (BW, GH,  
GM, KE, LS, MW, MZ, SD, SL, SZ, TZ, UG, ZM, ZW),  
Eurasian patent (AM, AZ, BY, KG, KZ, MD, RU, TJ, TM),  
European patent (AT, BE, BG, CH, CY, CZ, DE, DK, EE,  
ES, FI, FR, GB, GR, HU, IE, IT, LU, MC, NL, PT, RO, SE,  
SI, SK, TR), OAPI patent (BF, BJ, CF, CG, CI, CM, GA,  
GN, GQ, GW, ML, MR, NE, SN, TD, TG).

Published:  
— with international search report

(88) Date of publication of the international search report:  
3 February 2005

*For two-letter codes and other abbreviations, refer to the "Guidance Notes on Codes and Abbreviations" appearing at the beginning of each regular issue of the PCT Gazette.*

(54) Title: INFORMATION MEDIA HOLDER ASSEMBLY



(57) Abstract: An information media holder assembly (10) includes an information media storage element (12) supported on an information media storage element support (14). The information media storage element support (14) has a storage element retention mechanism (16) adapted to receive and retain the information media storage element (12) and a novelty mechanism (18) unrelated to information media storage element retention.

WO 2004/043158 A3

**INTERNATIONAL SEARCH REPORT**

International application No.

PCT/US03/35940

**A. CLASSIFICATION OF SUBJECT MATTER**

IPC(7) : A63H 3/00  
 US CL : 446/73

According to International Patent Classification (IPC) or to both national classification and IPC

**B. FIELDS SEARCHED**

Minimum documentation searched (classification system followed by classification symbols)  
 U.S. : 446/73, 71, 72, 76

Documentation searched other than minimum documentation to the extent that such documents are included in the fields searched

Electronic data base consulted during the international search (name of data base and, where practicable, search terms used)

**C. DOCUMENTS CONSIDERED TO BE RELEVANT**

Category *	Citation of document, with indication, where appropriate, of the relevant passages	Relevant to claim No.
A	US 4,715,840 A (SWIFT et al) 29 December 1987 (29.12.1987), see entire patent.	1-10
A	US 5,059,149 A (STONE) 22 October 1991 (22.10.1991), see entire patent.	1-10
A, E	US 6,755,712 A (MORRIS) 29 June 2004 (29.06.2004), see entire patent.	1-10

Further documents are listed in the continuation of Box C.

See patent family annex.

* Special categories of cited documents:	"T"	later document published after the international filing date or priority date and not in conflict with the application but cited to understand the principle or theory underlying the invention
"A" document defining the general state of the art which is not considered to be of particular relevance	"X"	document of particular relevance; the claimed invention cannot be considered novel or cannot be considered to involve an inventive step when the document is taken alone
"E" earlier application or patent published on or after the international filing date	"Y"	document of particular relevance; the claimed invention cannot be considered to involve an inventive step when the document is combined with one or more other such documents, such combination being obvious to a person skilled in the art
"L" document which may throw doubts on priority claim(s) or which is cited to establish the publication date of another citation or other special reason (as specified)	"&"	document member of the same patent family
"O" document referring to an oral disclosure, use, exhibition or other means		
"P" document published prior to the international filing date but later than the priority date claimed		

Date of the actual completion of the international search

31 October 2004 (31.10.2004)

Date of mailing of the international search report

18 NOV 2004

Name and mailing address of the ISA/US

Mail Stop PCT, Attn: ISA/US  
 Commissioner for Patents  
 P.O. Box 1450  
 Alexandria, Virginia 22313-1450

Facsimile No. (703) 305-3230

Authorized officer

Berris Banks

Telephone No. 703.308.7769