



US00D744135S

(12) **United States Design Patent**
Menjor

(10) **Patent No.:** **US D744,135 S**

(45) **Date of Patent:** **** Nov. 24, 2015**

(54) **BELT MOUNTABLE LIGHT EMITTER**
(71) Applicant: **Francis Menjor**, Decatur, GA (US)
(72) Inventor: **Francis Menjor**, Decatur, GA (US)

D579,133 S * 10/2008 Shiu D26/39
D614,786 S * 4/2010 Lee D26/39
D650,103 S * 12/2011 Lee D26/39
D683,489 S * 5/2013 Lee D26/39
D707,868 S * 6/2014 Lee D26/39
D712,579 S * 9/2014 Cen D26/39

(**) Term: **14 Years**

* cited by examiner

(21) Appl. No.: **29/488,230**

Primary Examiner — Sandra Morris

(22) Filed: **Apr. 17, 2014**

(51) **LOC (10) Cl.** **26-02**

(52) **U.S. Cl.**

USPC **D26/39**

(58) **Field of Classification Search**

USPC D26/37-51, 56-60, 67; 362/103-104,
362/184, 194-196, 202-206
CPC F21L 4/00; F21L 4/022; F21L 4/025;
F21L 4/027; F21L 7/00; F21L 19/00; F21V
21/084; F21V 21/0085; F21W 2111/10
See application file for complete search history.

(57) **CLAIM**

The ornamental design for a belt mountable light emitter, as shown and described.

DESCRIPTION

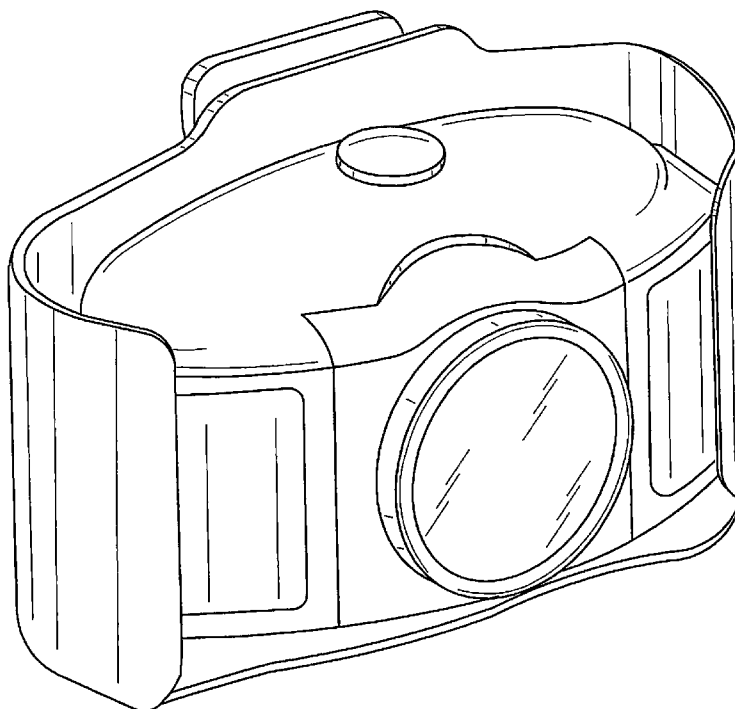
FIG. 1 is a front view of a belt mountable light emitter showing my new design;
FIG. 2 is a rear view of the belt mountable light emitter;
FIG. 3 is a left side view of the belt mountable light emitter, a right side view being a mirror image thereof;
FIG. 4 is a top view of the belt mountable light emitter;
FIG. 5 is a bottom view of the belt mountable light emitter; and,
FIG. 6 is a front perspective view of the belt mountable light emitter.

(56) **References Cited**

U.S. PATENT DOCUMENTS

D426,330 S * 6/2000 Cramer D26/38
6,890,086 B2 * 5/2005 Shiu F21L 4/027
362/227
D554,782 S * 11/2007 Shiu D26/39

1 Claim, 5 Drawing Sheets



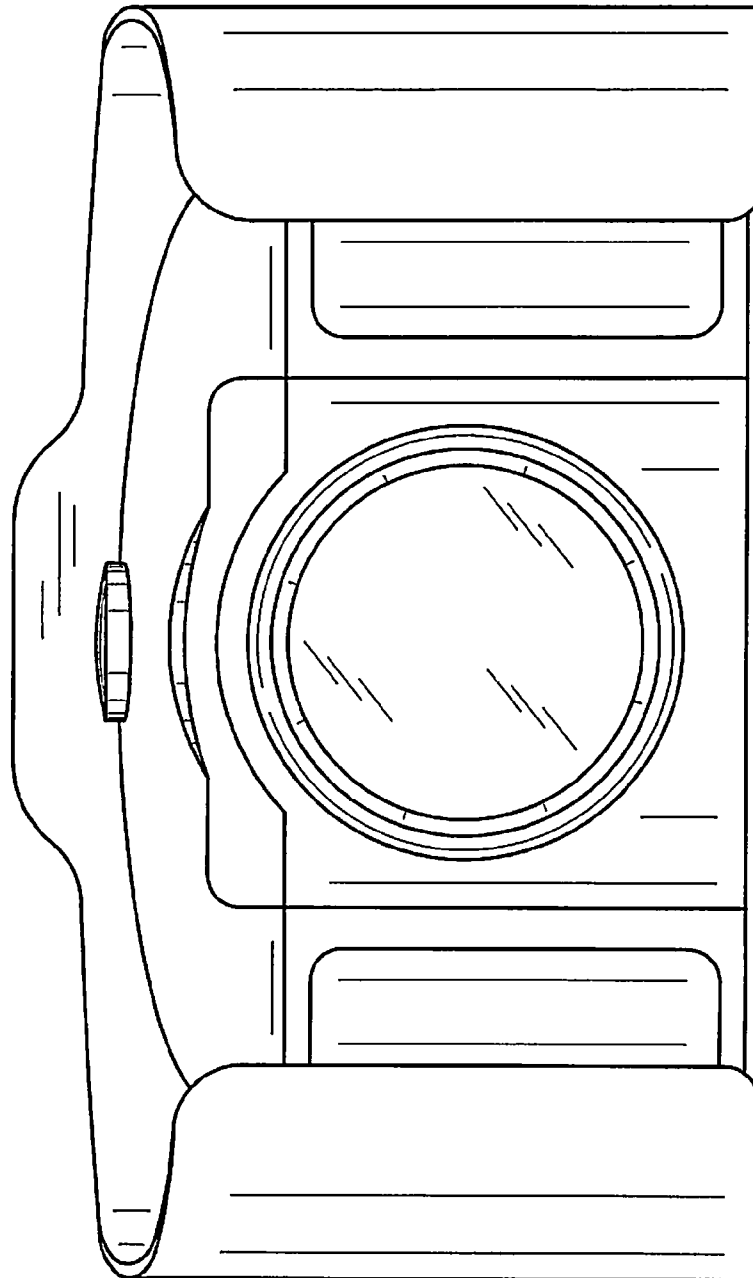


FIG. 1

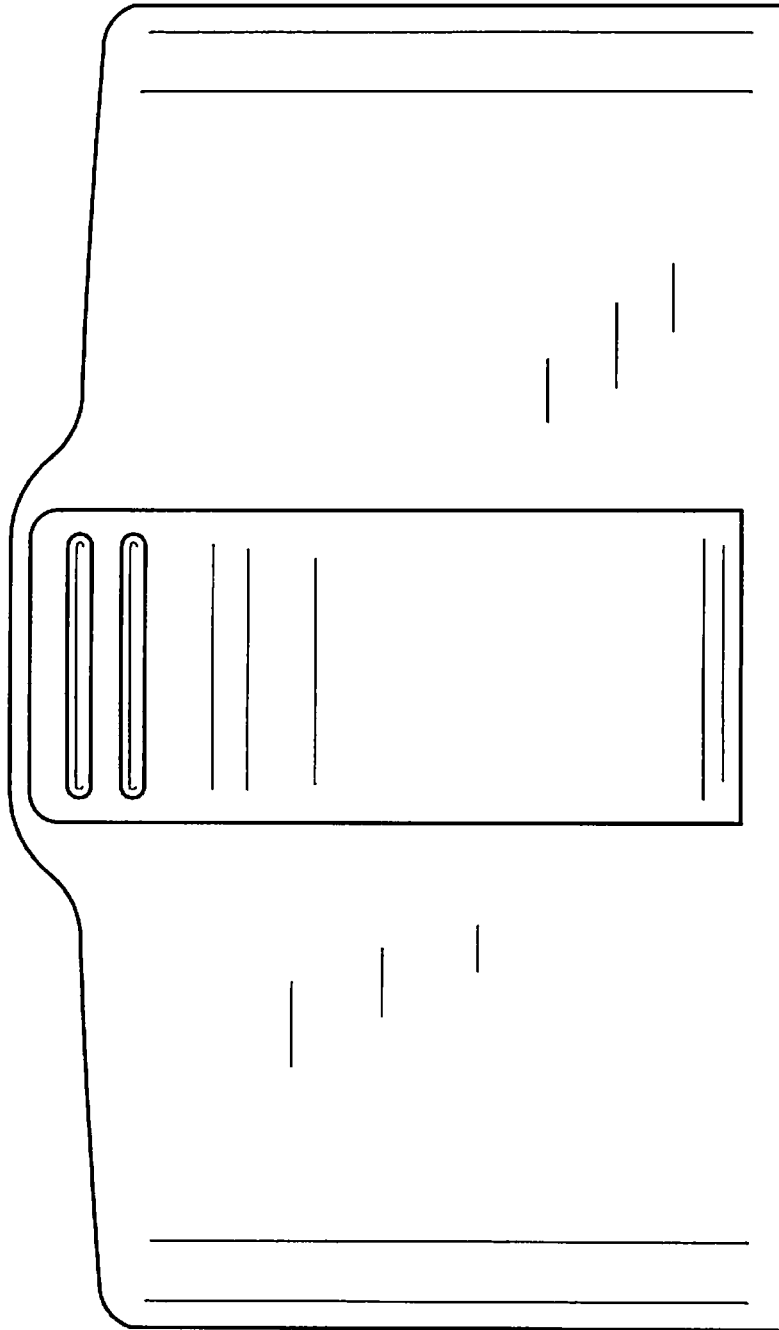


FIG. 2

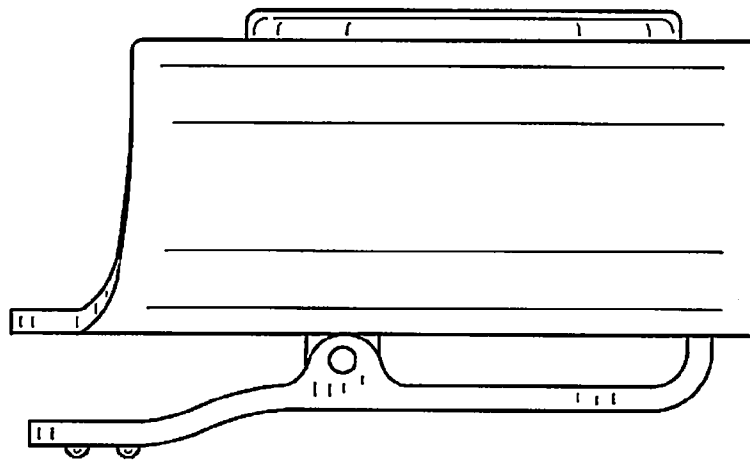


FIG. 3

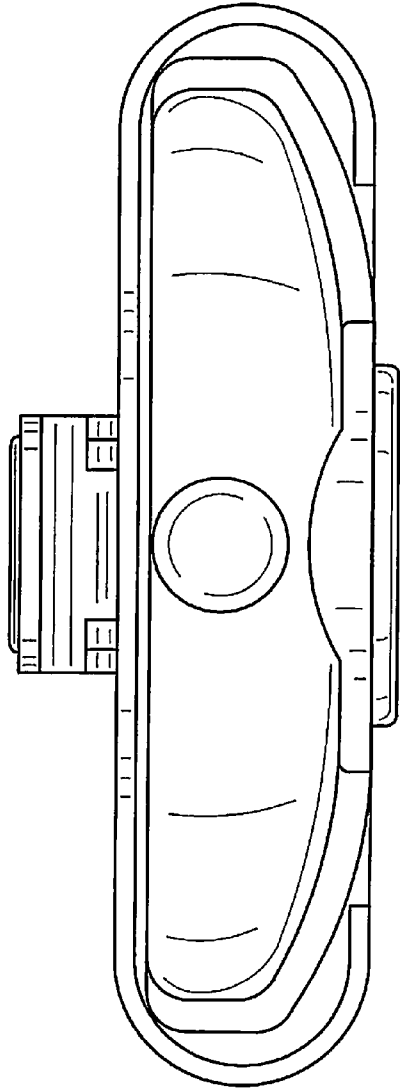


FIG. 4

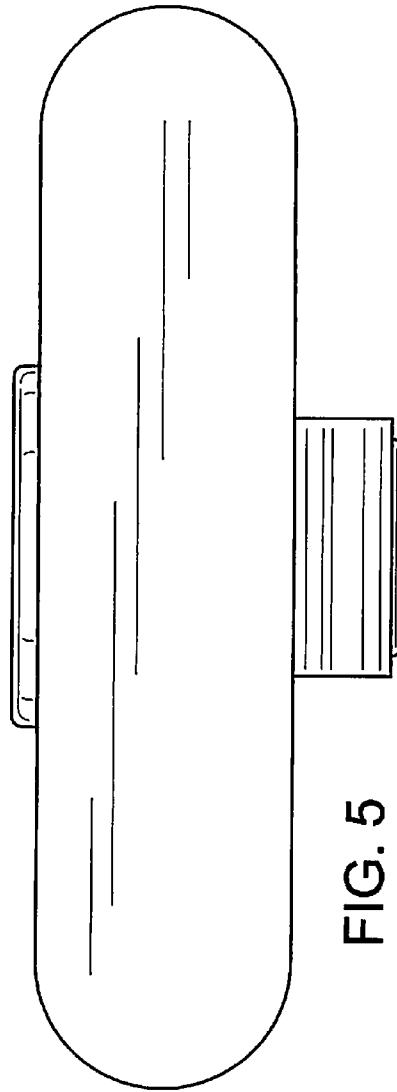


FIG. 5

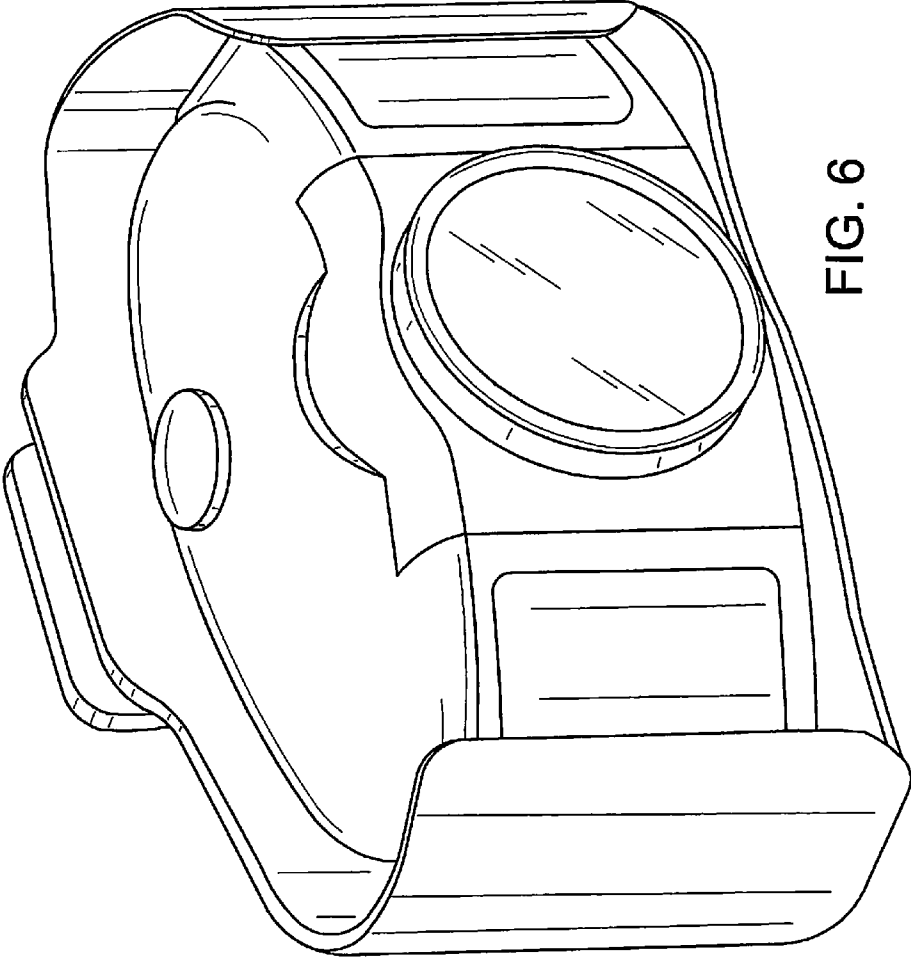


FIG. 6