

(19) World Intellectual Property Organization  
International Bureau



(43) International Publication Date  
13 January 2005 (13.01.2005)

PCT

(10) International Publication Number  
WO 2005/004457 A3

(51) International Patent Classification<sup>7</sup>: H04N 7/167

WASILEWSKI, Anthony J. [US/US]; 10680 Wren Ridge Road, Alpharetta, Georgia 30022 (US). WOODWARD, William D. Jr. [US/US]; 1171 Timberglen Court, Lilburn, Georgia 30047 (US).

(21) International Application Number:  
PCT/US2004/019322

(22) International Filing Date: 18 June 2004 (18.06.2004)

(74) Agents: COUTURIER, Shelley L. et al.; Scientific-Atlanta, Inc., Intellectual Property Dept., 5030 Sugarloaf Parkway, Lawrenceville, Georgia 30044 (US).

(25) Filing Language: English

(26) Publication Language: English

(30) Priority Data:  
10/602,986 25 June 2003 (25.06.2003) US  
10/629,839 30 July 2003 (30.07.2003) US  
10/719,161 21 November 2003 (21.11.2003) US

(81) Designated States (unless otherwise indicated, for every kind of national protection available): AE, AG, AL, AM, AT, AU, AZ, BA, BB, BG, BR, BW, BY, BZ, CA, CH, CN, CO, CR, CU, CZ, DE, DK, DM, DZ, EC, EE, EG, ES, FI, GB, GD, GE, GH, GM, HR, HU, ID, IL, IN, IS, JP, KE, KG, KP, KR, KZ, LC, LK, LR, LS, LT, LU, LV, MA, MD, MG, MK, MN, MW, MX, MZ, NA, NI, NO, NZ, OM, PG, PH, PL, PT, RO, RU, SC, SD, SE, SG, SK, SL, SY, TJ, TM, TN, TR, TT, TZ, UA, UG, US, UZ, VC, VN, YU, ZA, ZM, ZW.

(71) Applicant (for all designated States except US): SCIENTIFIC-ATLANTA, INC. [US/US]; 5030 Sugarloaf Parkway, Lawrenceville, Georgia 30044 (US).

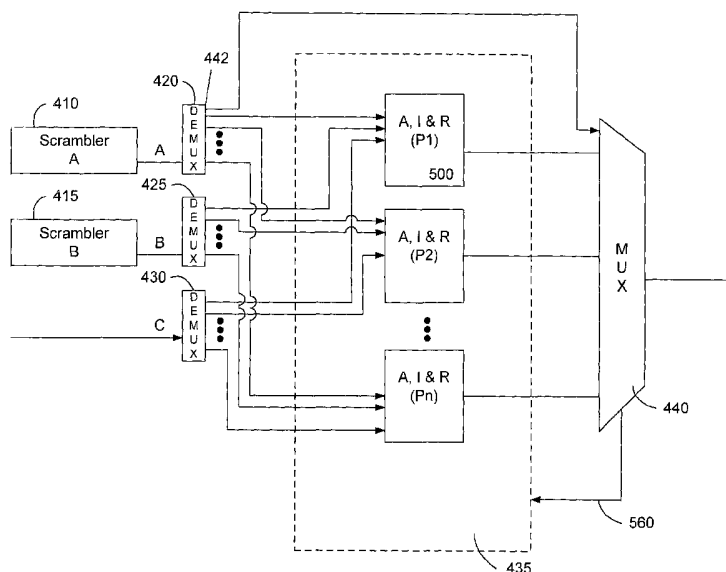
(84) Designated States (unless otherwise indicated, for every kind of regional protection available): ARIPO (BW, GH, GM, KE, LS, MW, MZ, NA, SD, SL, SZ, TZ, UG, ZM, ZW), Eurasian (AM, AZ, BY, KG, KZ, MD, RU, TJ, TM), European (AT, BE, BG, CH, CY, CZ, DE, DK, EE, ES, FI, FR, GB, GR, HU, IE, IT, LU, MC, NL, PL, PT, RO, SE, SI,

(72) Inventors; and

(75) Inventors/Applicants (for US only): PINDER, Howard G. [US/US]; 4317 Stilson Circle, Norcross, Georgia 30092 (US). EVANS, Jonathan Bradford [US/US]; 2700 Pinetree Road, #4008, Atlanta, Georgia 30324 (US).

[Continued on next page]

(54) Title: A PARTIAL DUAL-ENCRYPTED STREAM UTILIZING PROGRAM MAP TABLES



(57) Abstract: The present invention is suitable for use in a partial dual encrypted system. The present invention allows for two different decryption devices (e.g., an incumbent, or first, set-top and an overlay, or second, set-top) to be located in a single system having an incumbent encryption scheme and a second encryption scheme. Each set-top is designed to decrypt the first or second proprietary encryption schemes, respectively. In accordance with the present invention, the second set-top utilizes a novel program map table to ensure that the second set-top chooses correct elementary streams in the partial dual-encrypted stream (i.e., a combined stream including a first encrypted stream, a second encrypted stream, and a clear stream) for a desired program.

WO 2005/004457 A3



SK, TR), OAPI (BF, BJ, CF, CG, CI, CM, GA, GN, GQ, GW, ML, MR, NE, SN, TD, TG).

*For two-letter codes and other abbreviations, refer to the "Guidance Notes on Codes and Abbreviations" appearing at the beginning of each regular issue of the PCT Gazette.*

**Published:**

- *with international search report*
- *before the expiration of the time limit for amending the claims and to be republished in the event of receipt of amendments*

**(88) Date of publication of the international search report:**

14 April 2005

**INTERNATIONAL SEARCH REPORT**

International application No.

PCT/US04/19322

**A. CLASSIFICATION OF SUBJECT MATTER**

IPC(7) : H04N 7/167  
 US CL : 380/239

According to International Patent Classification (IPC) or to both national classification and IPC

**B. FIELDS SEARCHED**

Minimum documentation searched (classification system followed by classification symbols)  
 U.S. : 380/239 380/217,212,202

Documentation searched other than minimum documentation to the extent that such documents are included in the fields searched

Electronic data base consulted during the international search (name of data base and, where practicable, search terms used)  
 Please See Continuation Sheet

**C. DOCUMENTS CONSIDERED TO BE RELEVANT**

Category *	Citation of document, with indication, where appropriate, of the relevant passages	Relevant to claim No.
X	US 2003/0026423 A1 (Unger et al.) 06 February 2003, see entire document.	1-12

Further documents are listed in the continuation of Box C.

See patent family annex.

\* Special categories of cited documents:

"A" document defining the general state of the art which is not considered to be of particular relevance

"E" earlier application or patent published on or after the international filing date

"L" document which may throw doubts on priority claim(s) or which is cited to establish the publication date of another citation or other special reason (as specified)

"O" document referring to an oral disclosure, use, exhibition or other means

"P" document published prior to the international filing date but later than the priority date claimed

"T" later document published after the international filing date or priority date and not in conflict with the application but cited to understand the principle or theory underlying the invention

"X" document of particular relevance; the claimed invention cannot be considered novel or cannot be considered to involve an inventive step when the document is taken alone

"Y" document of particular relevance; the claimed invention cannot be considered to involve an inventive step when the document is combined with one or more other such documents, such combination being obvious to a person skilled in the art

"&" document member of the same patent family

Date of the actual completion of the international search

17 February 2005 (17.02.2005)

Date of mailing of the international search report

11 MAR 2005

Name and mailing address of the ISA/US

Mail Stop PCT, Attn: ISA/US  
 Commissioner for Patents  
 P.O. Box 1450  
 Alexandria, Virginia 22313-1450

Facsimile No. (703) 305-3230

Authorized officer

BRIAN JOHNSON

Telephone No. (571) 272-3595

*James R. Matthews*

**INTERNATIONAL SEARCH REPORT**

International application No.  
PCT/US04/19322

Continuation of B. FIELDS SEARCHED Item 3:  
USPAT; US-PGPUB; EPO; JPO; IBM\_TDB  
PMT,partial,dual,program,map,table,association,clear,multiplex